



US00D835164S

(12) **United States Design Patent** (10) **Patent No.:** **US D835,164 S**  
**Li** (45) **Date of Patent:** **\*\* Dec. 4, 2018**

(54) **CUTTING AND EMBOSSING MACHINE**

(71) Applicant: **PARRIC NINGBO STATIONERY AND GIFTS MFG. CO., LTD.,**  
Ningbo, Zhejiang (CN)

(72) Inventor: **Fuping Li, Zhejiang (CN)**

(73) Assignee: **PARRIC NINGBO STATIONERY AND GIFTS MFG. CO., LTD.,**  
Ningbo (CN)

(\*\*) Term: **15 Years**

(21) Appl. No.: **29/593,574**

(22) Filed: **Feb. 9, 2017**

(30) **Foreign Application Priority Data**

Aug. 10, 2016 (CN) ..... 2016 3 0377800

(51) **LOC (11) Cl.** ..... **15-09**

(52) **U.S. Cl.**  
USPC ..... **D15/128**

(58) **Field of Classification Search**

USPC ..... D15/127-128, 136, 138, 141, 199;  
D18/14, 15, 19, 53, 56-59  
CPC ..... B26F 1/42; B26F 1/3813; B26F 1/384;  
B26F 1/40; B26D 5/10; B26D 5/00;  
B26D 7/2614; B26D 7/265; B26D  
2007/0087; B26D 2007/2678; B41L  
19/00

See application file for complete search history.

(56) **References Cited**

**U.S. PATENT DOCUMENTS**

142,648 A \* 9/1873 Peterson ..... B41L 19/00  
101/269  
D110,803 S \* 8/1938 Ditty ..... D18/14  
D359,967 S \* 7/1995 Eichenberg ..... D15/123  
6,843,296 B2 \* 1/2005 Lemens ..... B32B 37/226  
156/494

D542,310 S \* 5/2007 Corcoran ..... D15/123  
D547,340 S \* 7/2007 Ayala ..... D15/136  
D574,423 S \* 8/2008 Lee ..... D18/14  
D585,081 S \* 1/2009 Corcoran ..... D15/128  
D607,910 S \* 1/2010 Corcoran ..... D15/128  
D620,044 S \* 7/2010 Corcoran ..... D18/16  
D656,165 S \* 3/2012 Block ..... D15/123

(Continued)

*Primary Examiner* — Rosemary K Tarcza  
*Assistant Examiner* — Nathaniel D. Buckner

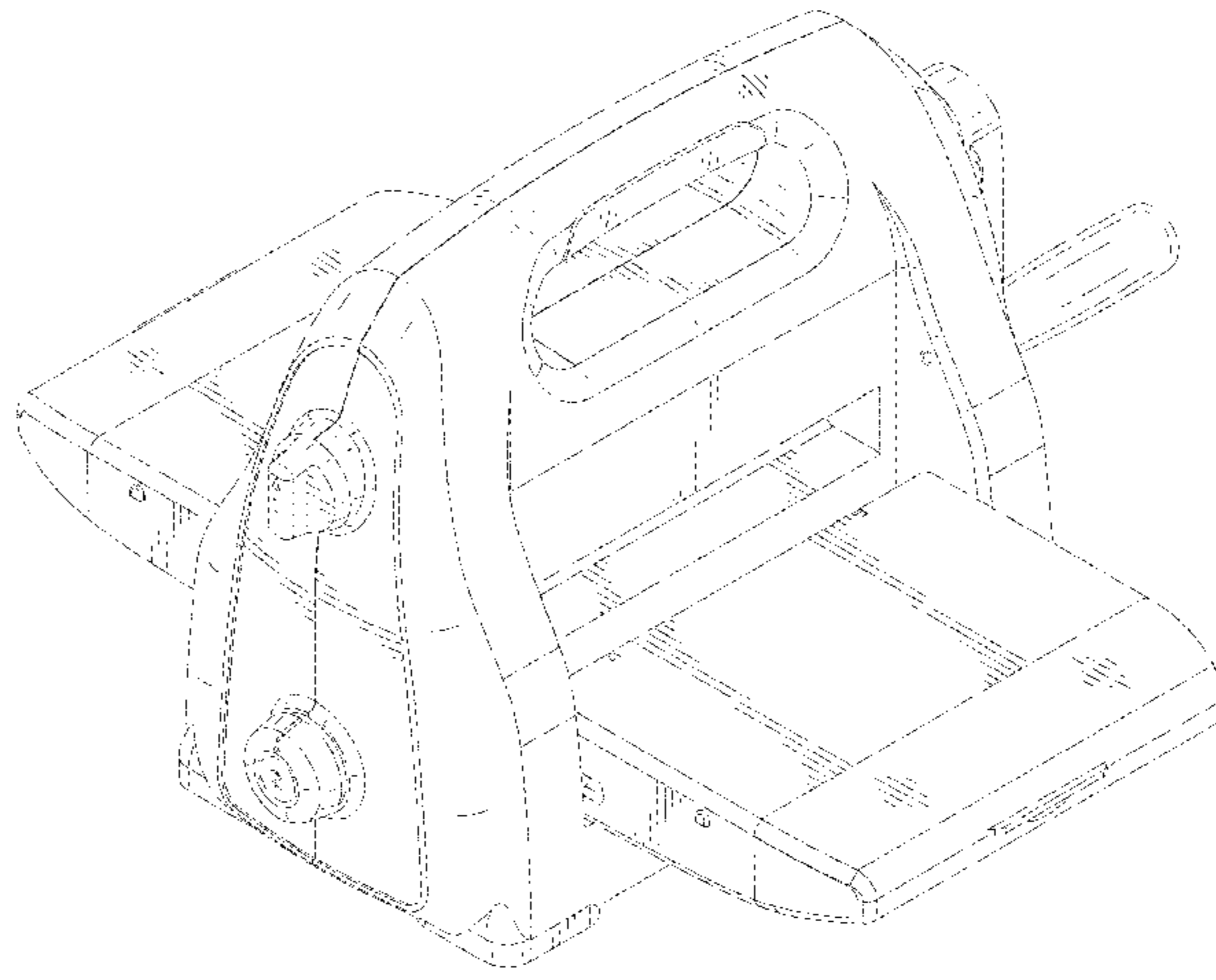
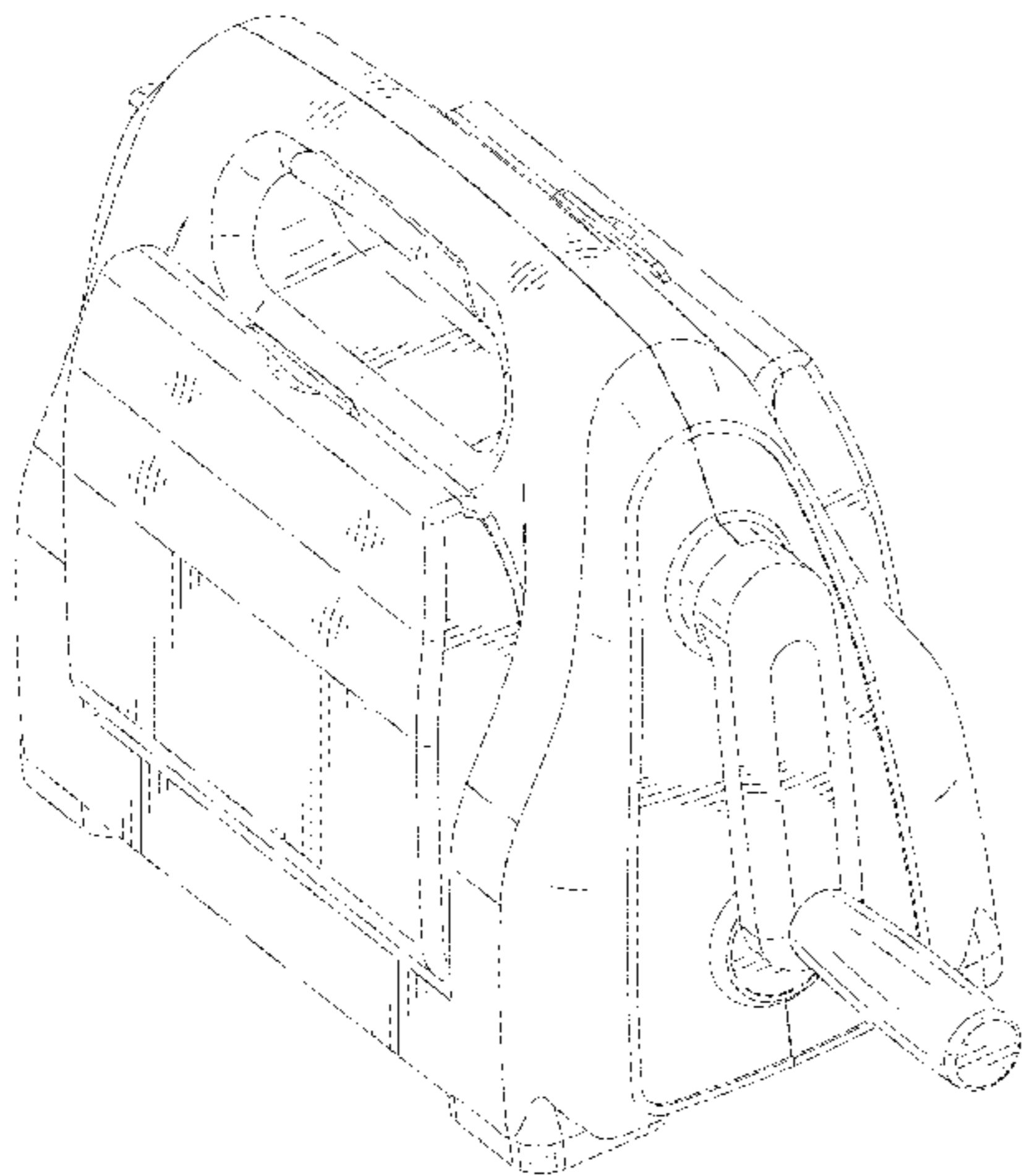
(57) **CLAIM**

The ornamental design for a cutting and embossing machine, as shown and described.

**DESCRIPTION**

FIG. 1 is a front elevational view of a cutting and embossing machine showing my new design;  
FIG. 2 is a rear elevational view thereof;  
FIG. 3 is a left side view thereof;  
FIG. 4 is a right side view thereof;  
FIG. 5 is a top plan view thereof;  
FIG. 6 is a bottom plan view thereof;  
FIG. 7 is a first perspective view thereof;  
FIG. 8 is a second perspective view thereof;  
FIG. 9 is a third perspective view thereof;  
FIG. 10 is a fourth perspective view thereof;  
FIG. 11 is a front elevational view of the cutting and embossing machine in a use state;  
FIG. 12 is a rear elevational view thereof;  
FIG. 13 is a left side view thereof;  
FIG. 14 is a right side view thereof;  
FIG. 15 is a top plan view thereof;  
FIG. 16 is a bottom plan view thereof;  
FIG. 17 is a first perspective view thereof;  
FIG. 18 is a second perspective view thereof;  
FIG. 19 is a third perspective view thereof; and,  
FIG. 20 is a fourth perspective view thereof.  
The broken lines in the figures depict portions of the article which form no part of the claimed design.

**1 Claim, 20 Drawing Sheets**



(56)

**References Cited**

U.S. PATENT DOCUMENTS

D736,278 S \* 8/2015 Corcoran ..... D15/128  
2005/0253324 A1 \* 11/2005 Corcoran ..... B26F 1/42  
271/15  
2005/0268761 A1 \* 12/2005 Corcoran ..... B26D 7/2614  
83/13  
2007/0017332 A1 \* 1/2007 Workman ..... B26D 7/2614  
83/76.3  
2007/0214972 A1 \* 9/2007 Ayala ..... B26F 1/42  
100/176  
2011/0252939 A1 \* 10/2011 Nabity ..... B26F 1/384  
83/859

\* cited by examiner

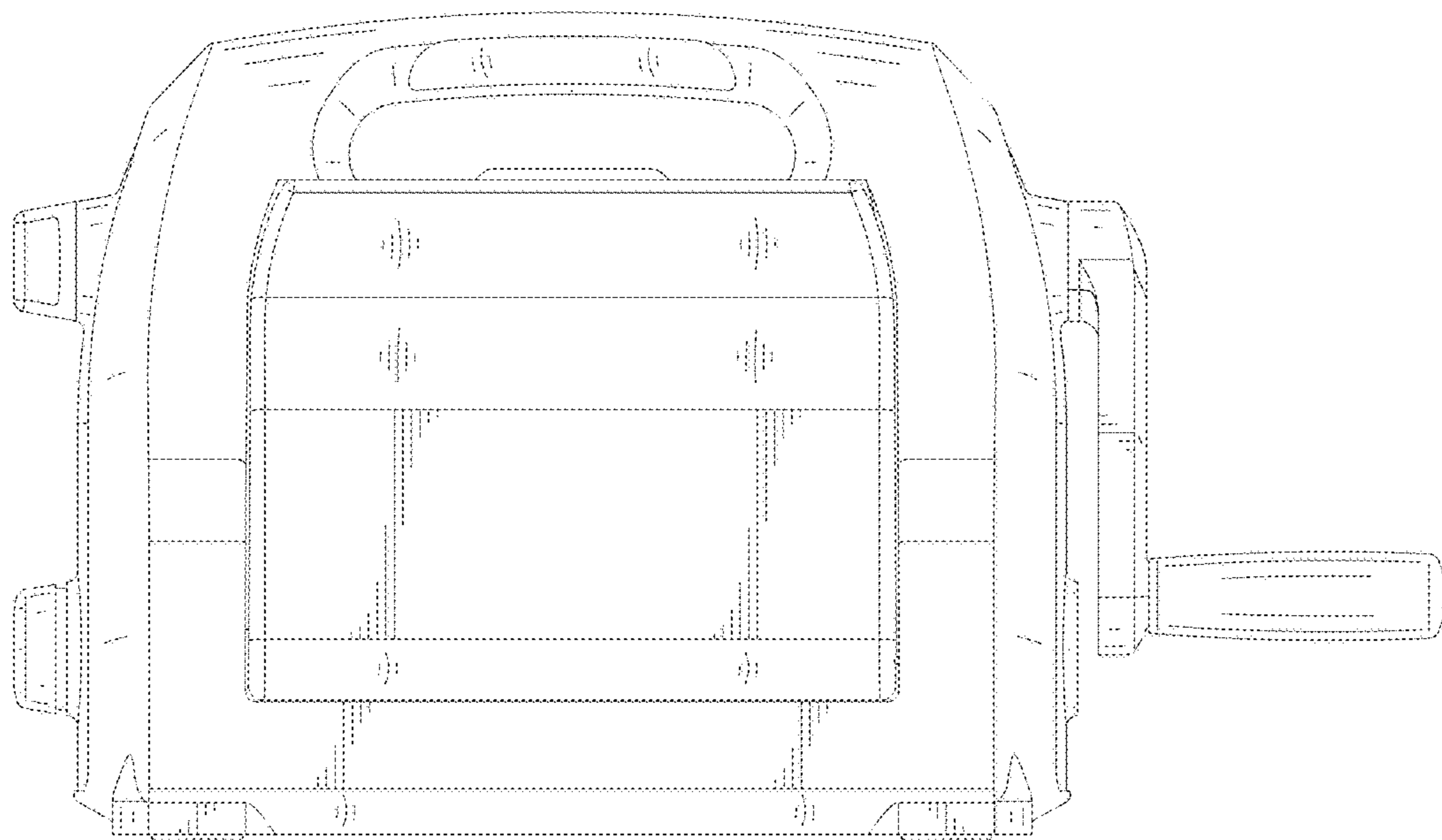


FIG.1

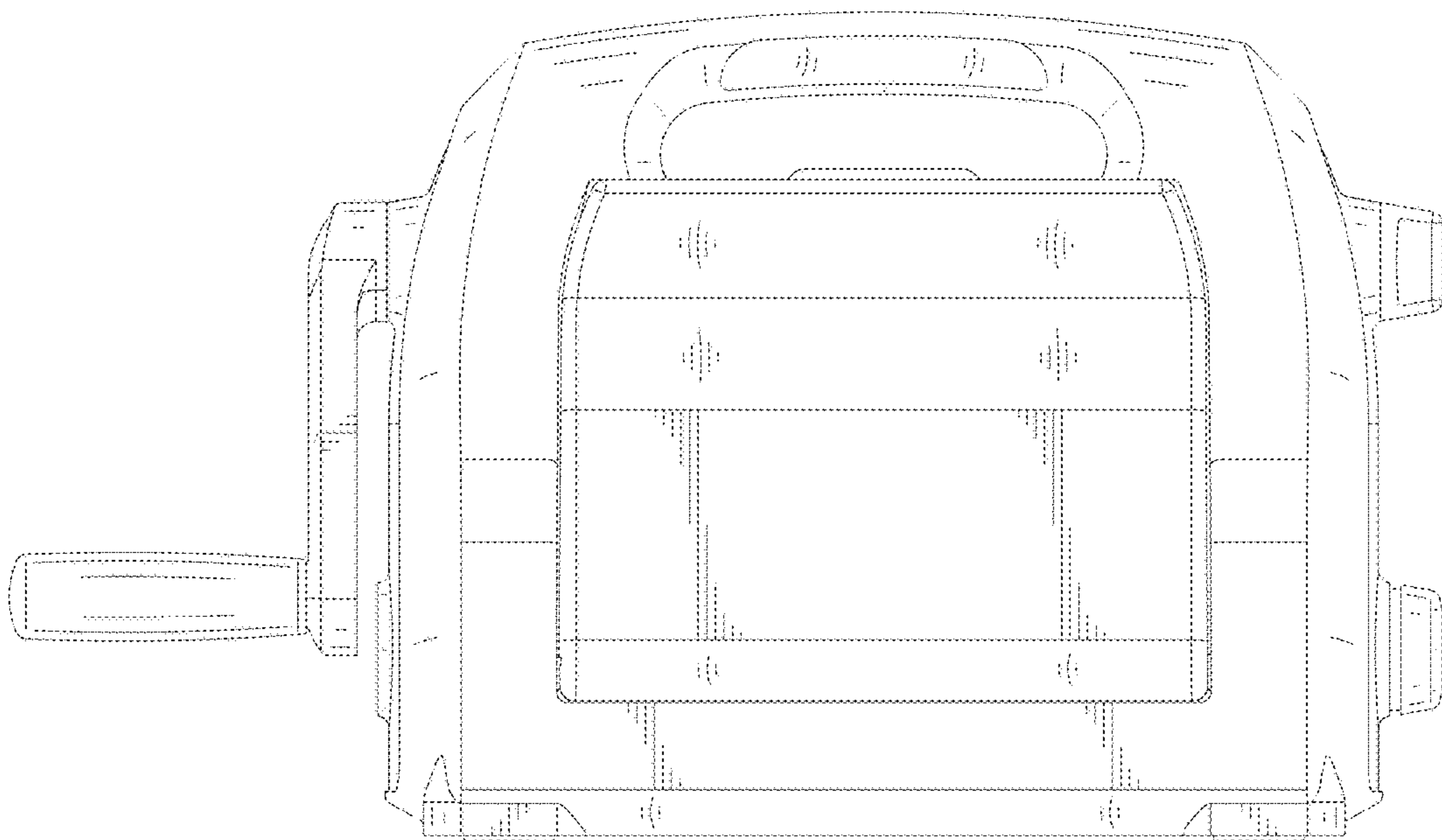


FIG.2

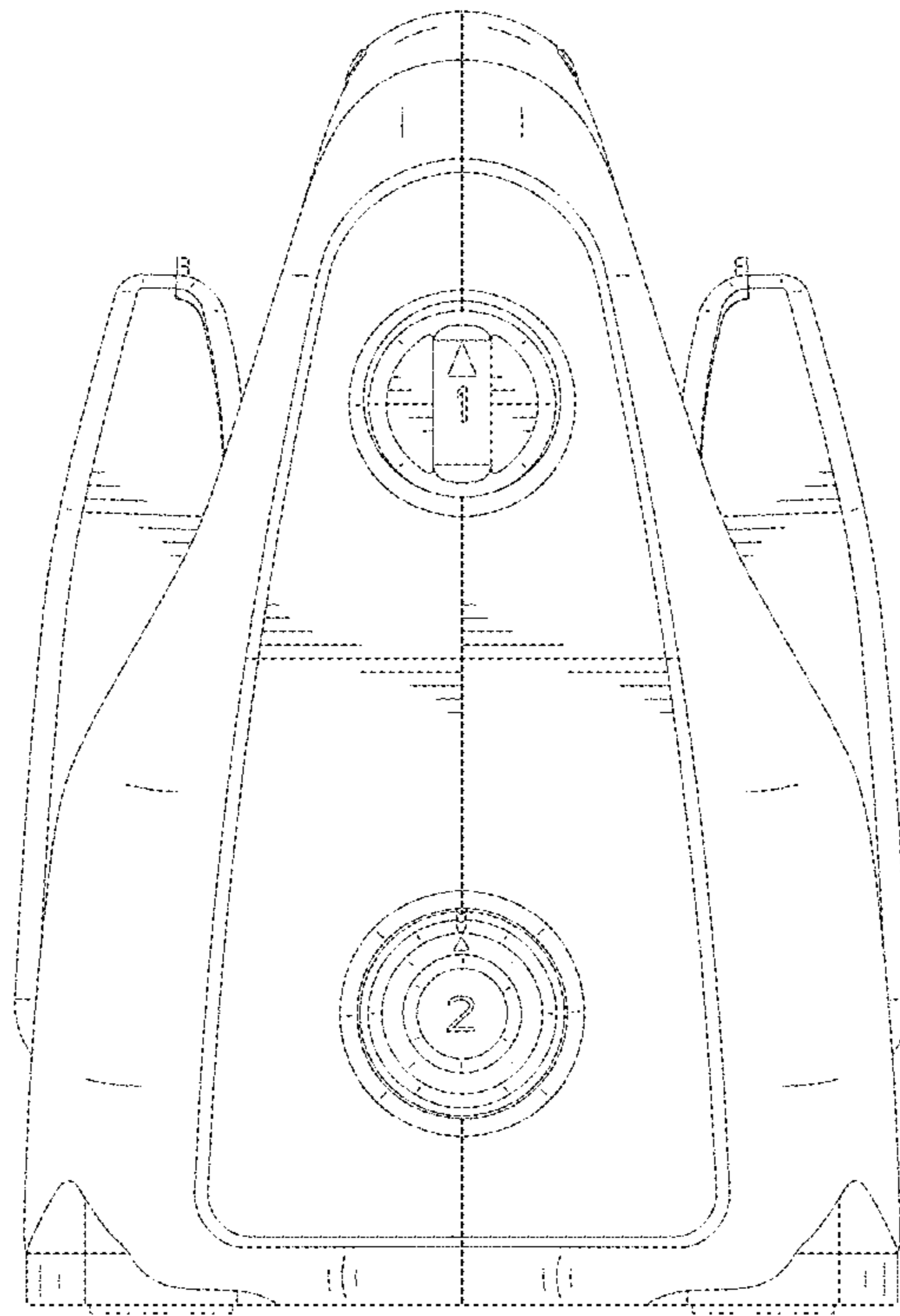


FIG.3

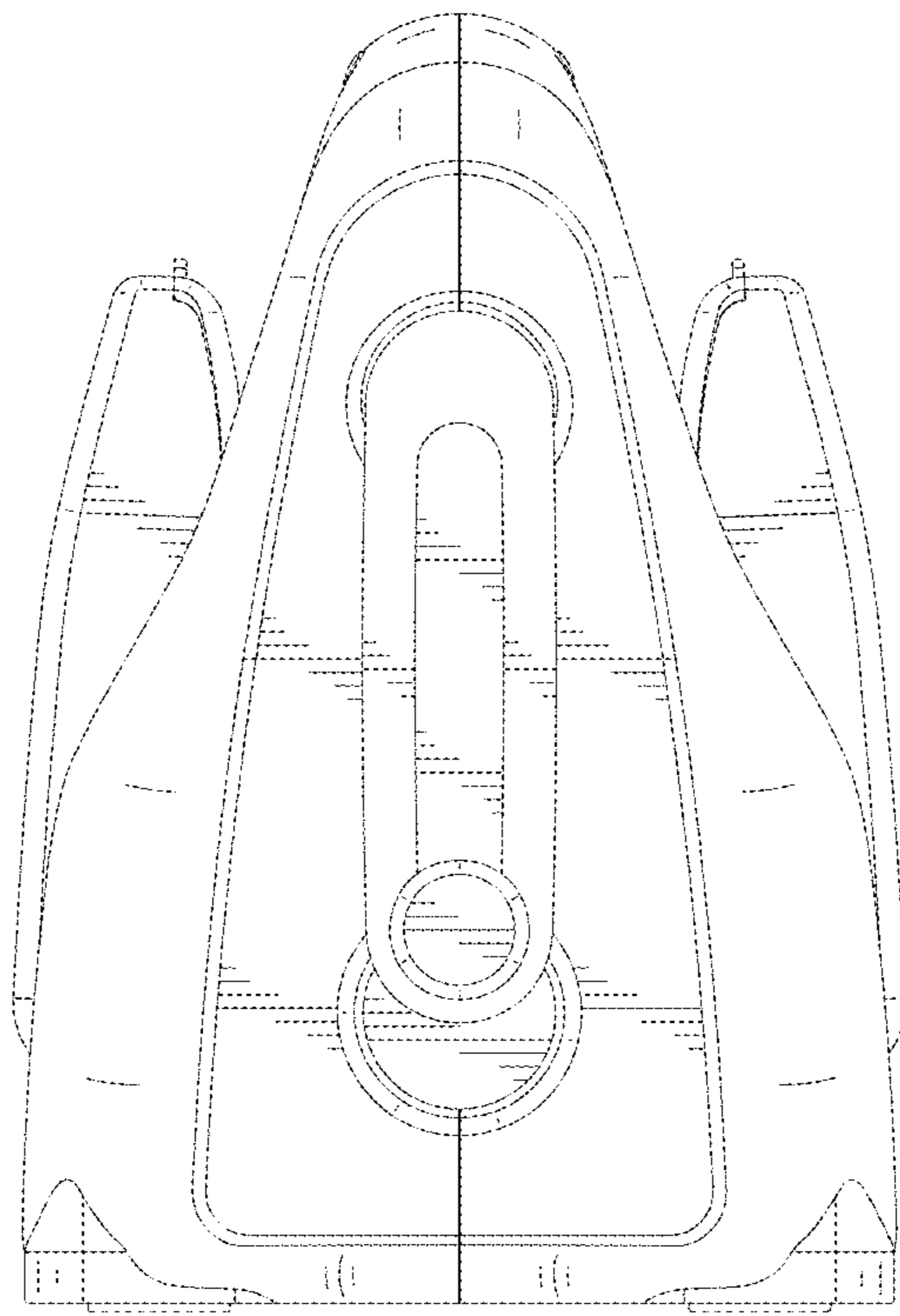


FIG.4



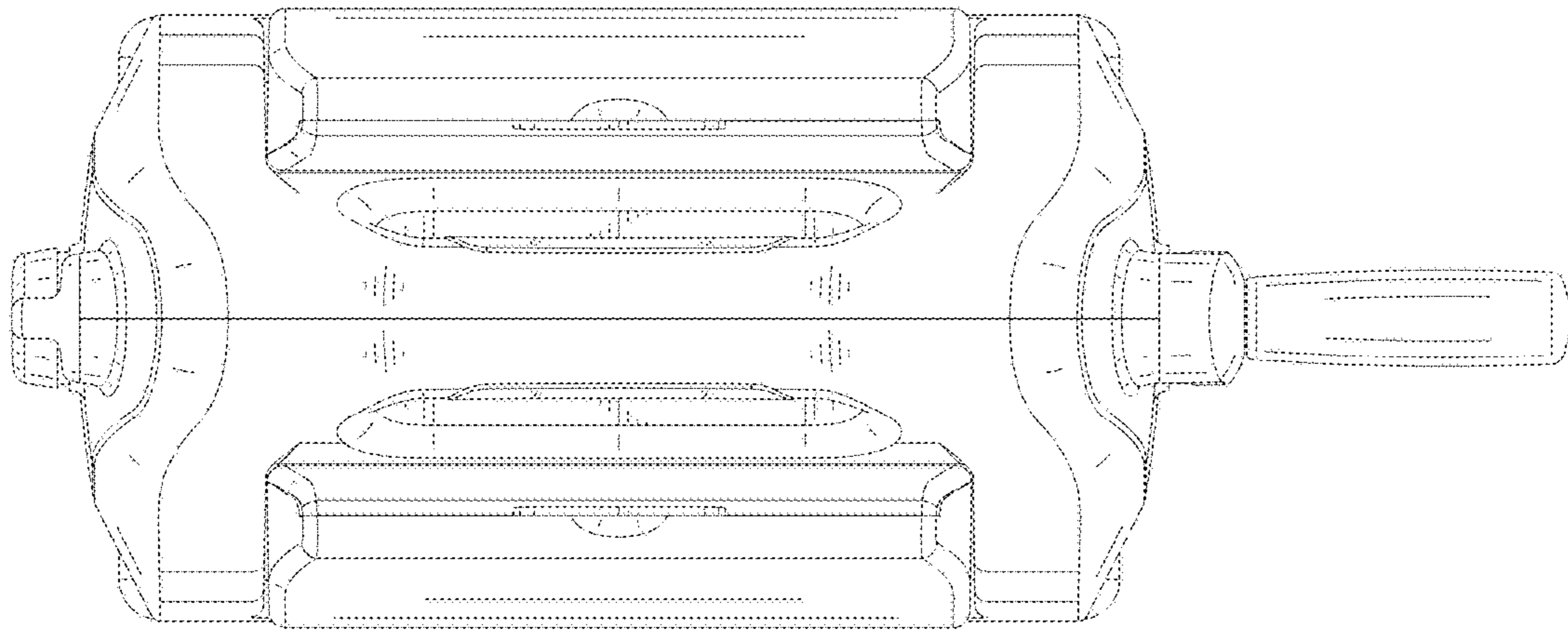


FIG.5

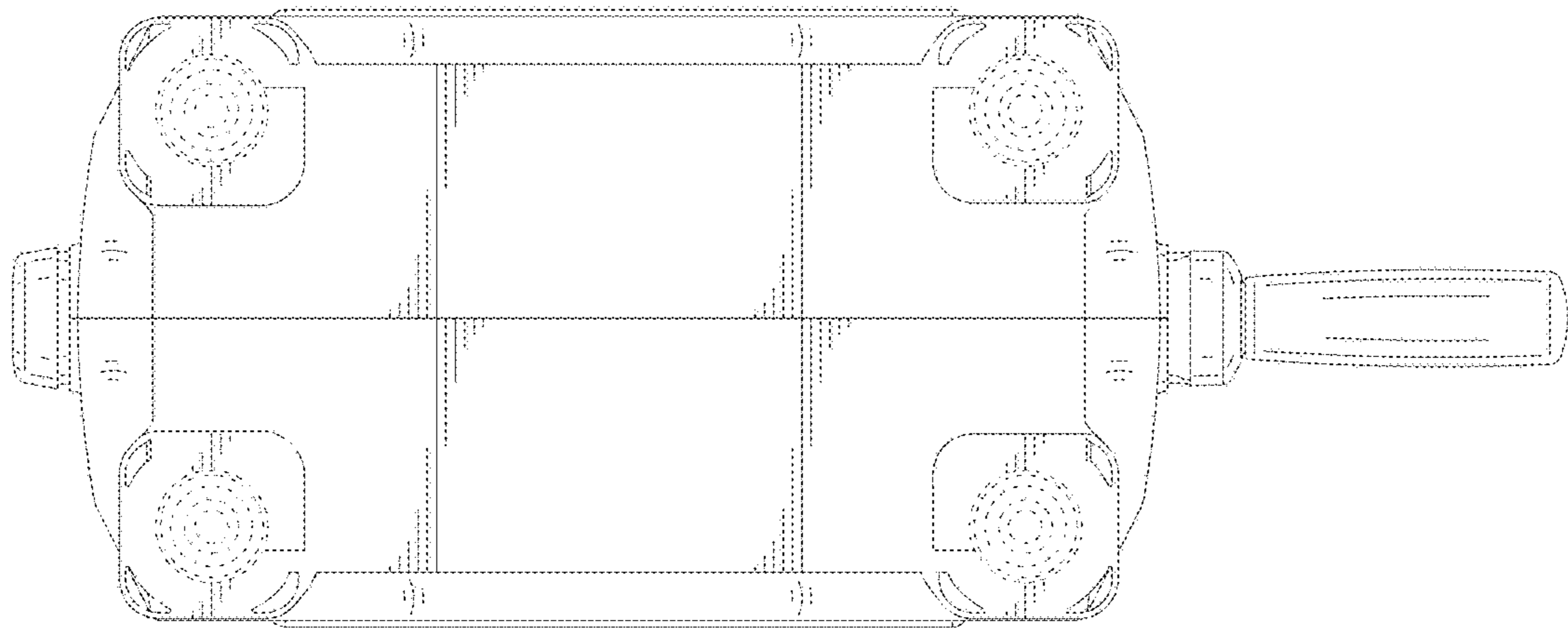


FIG. 6



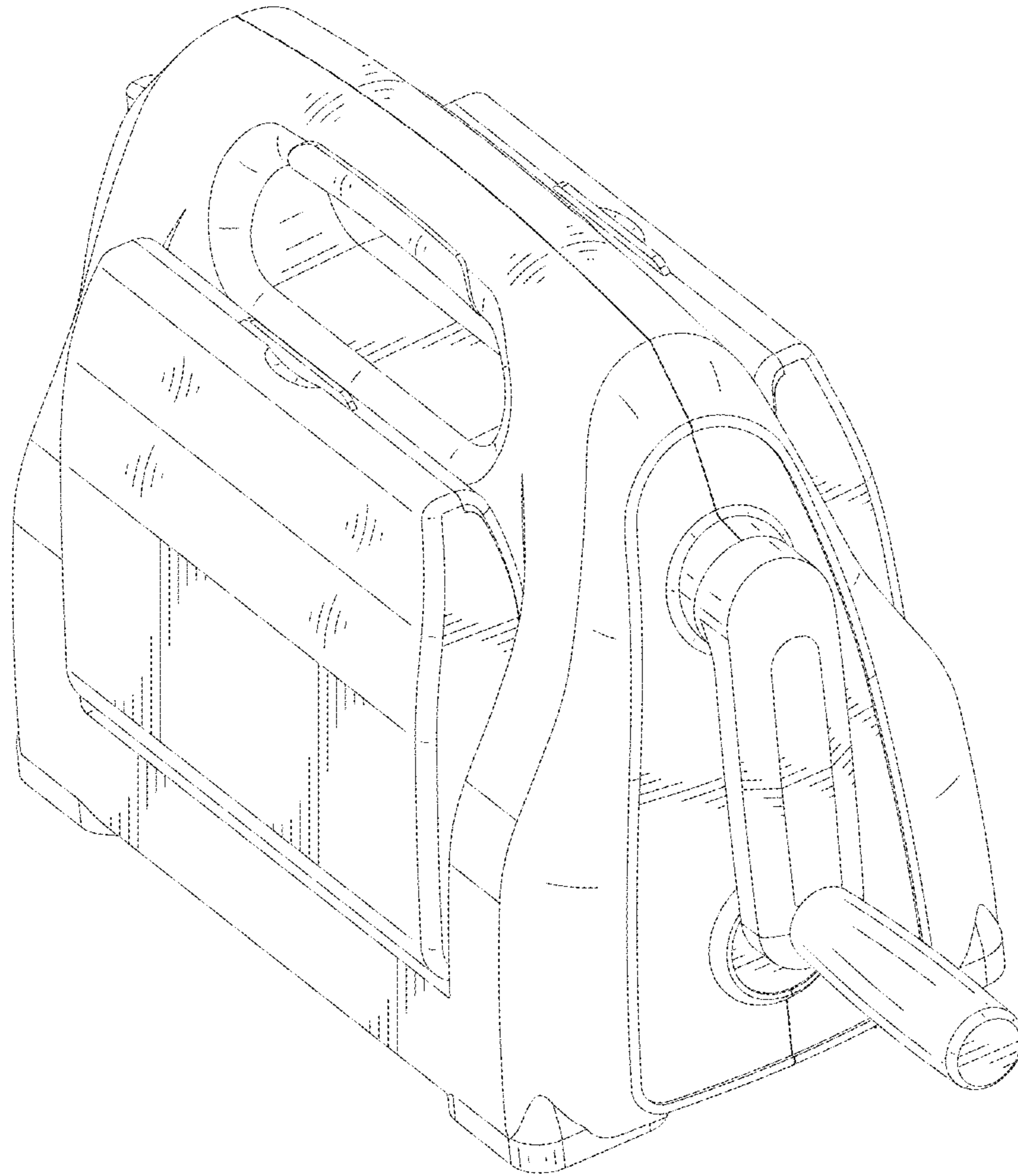


FIG. 7

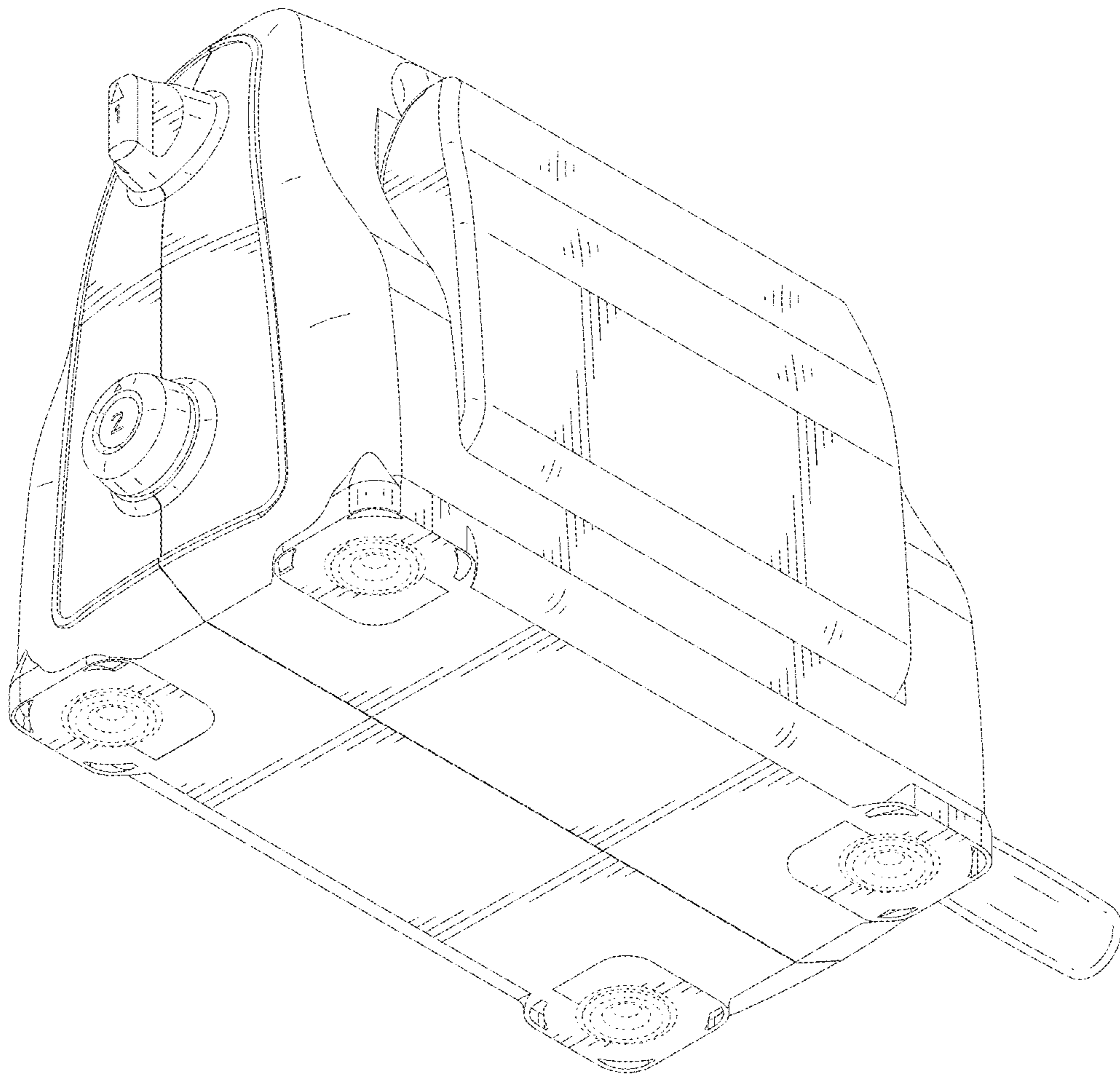


FIG.8

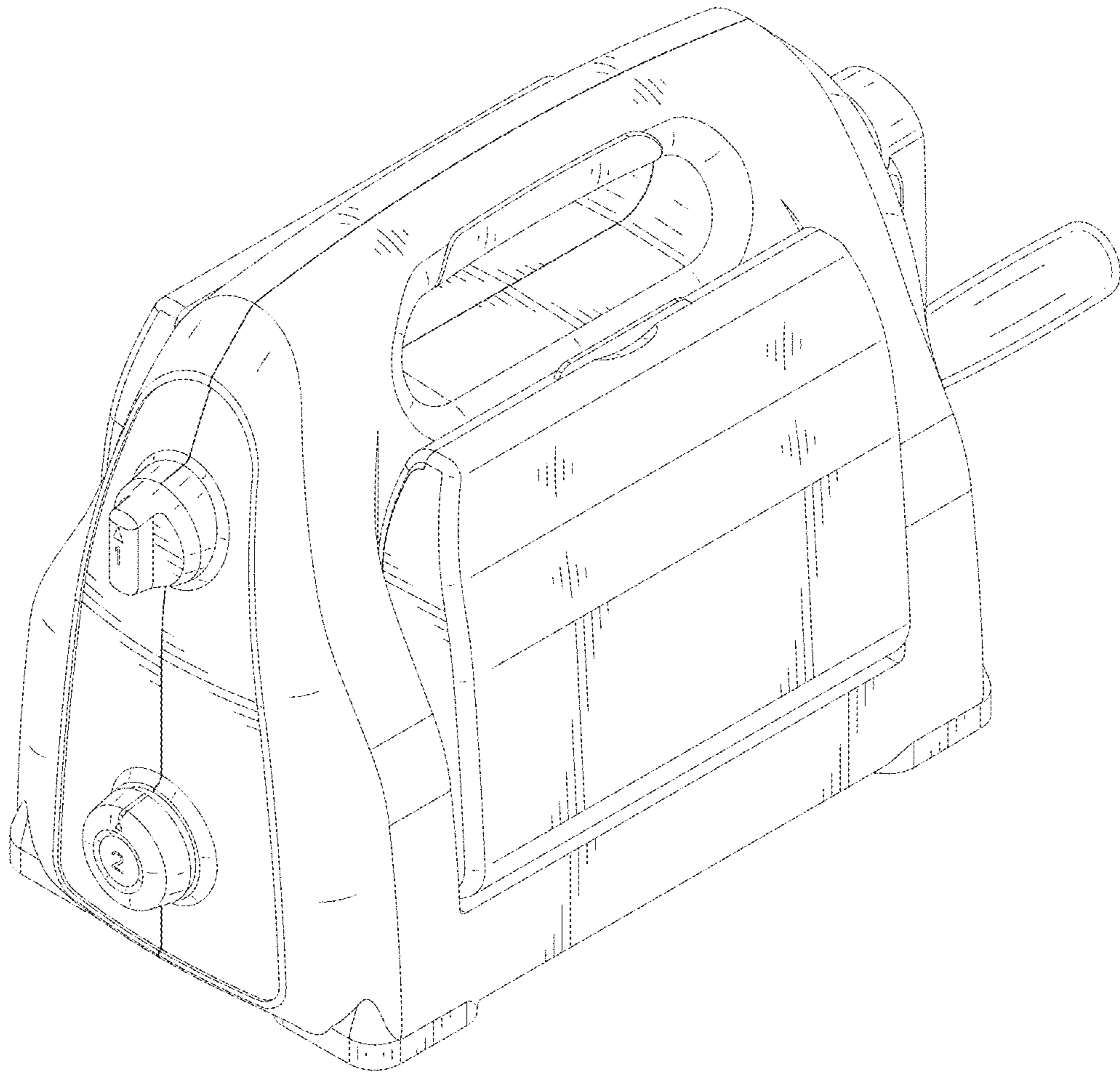


FIG.9

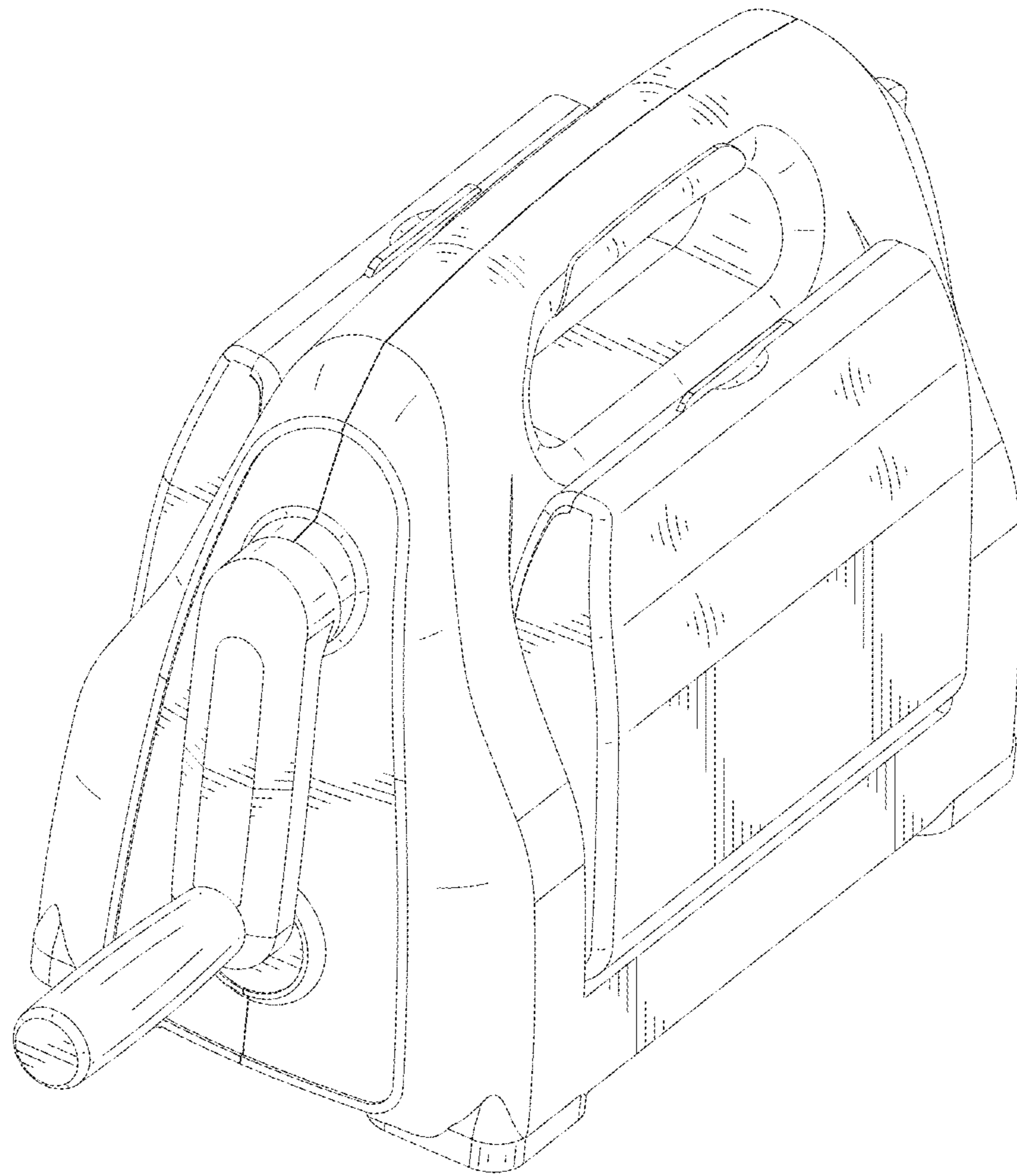


FIG.10

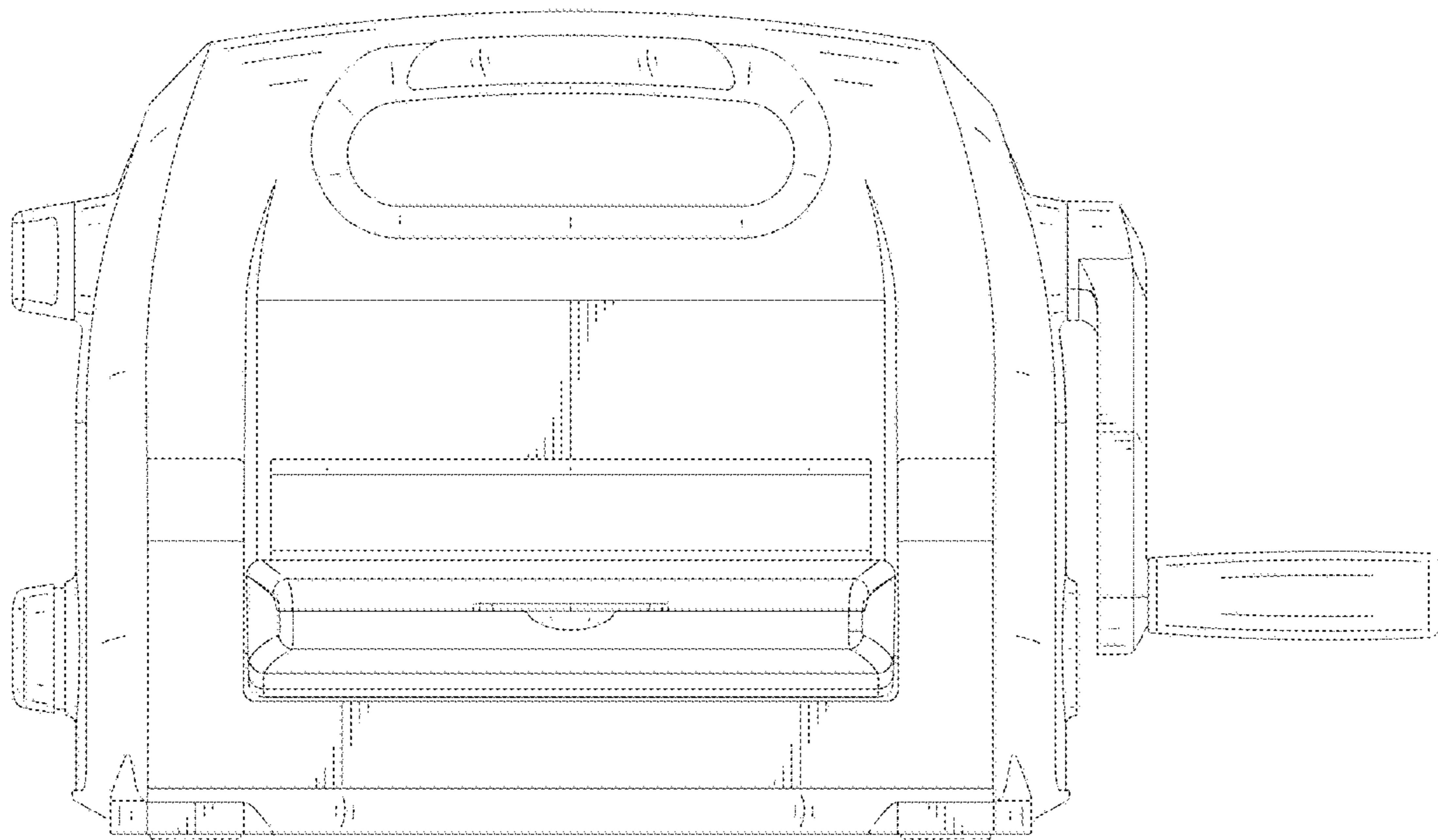


FIG.11

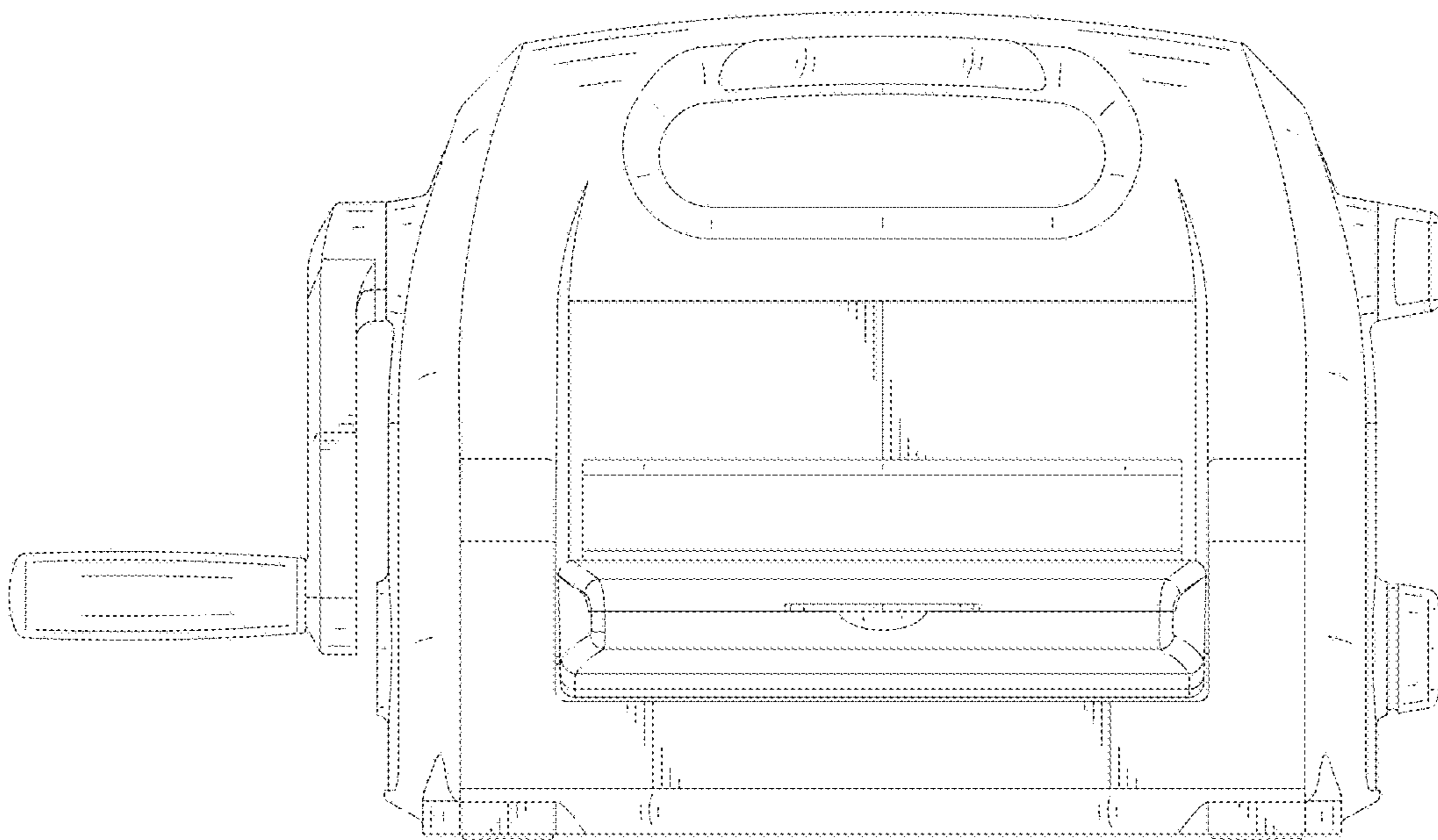


FIG.12



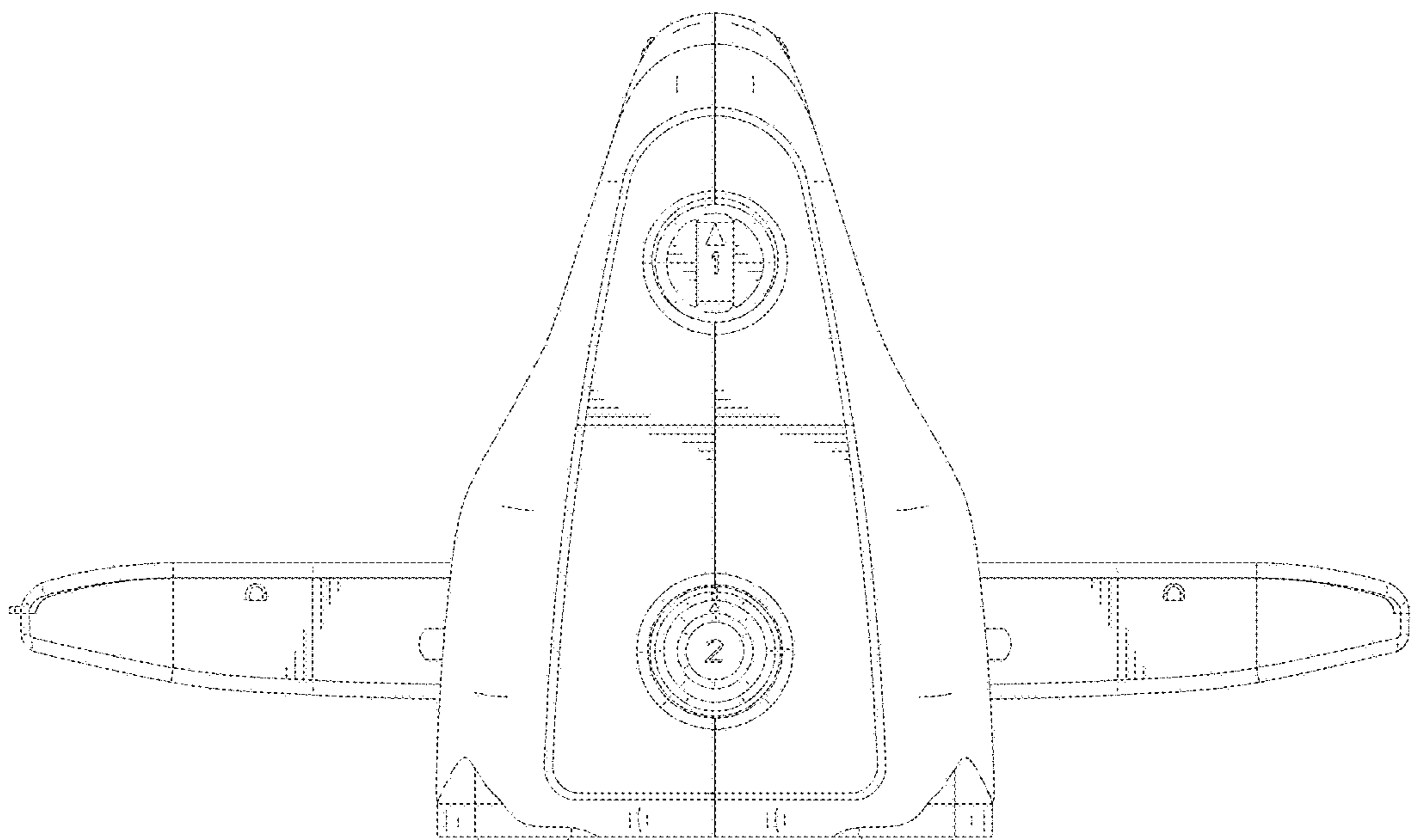


FIG.13

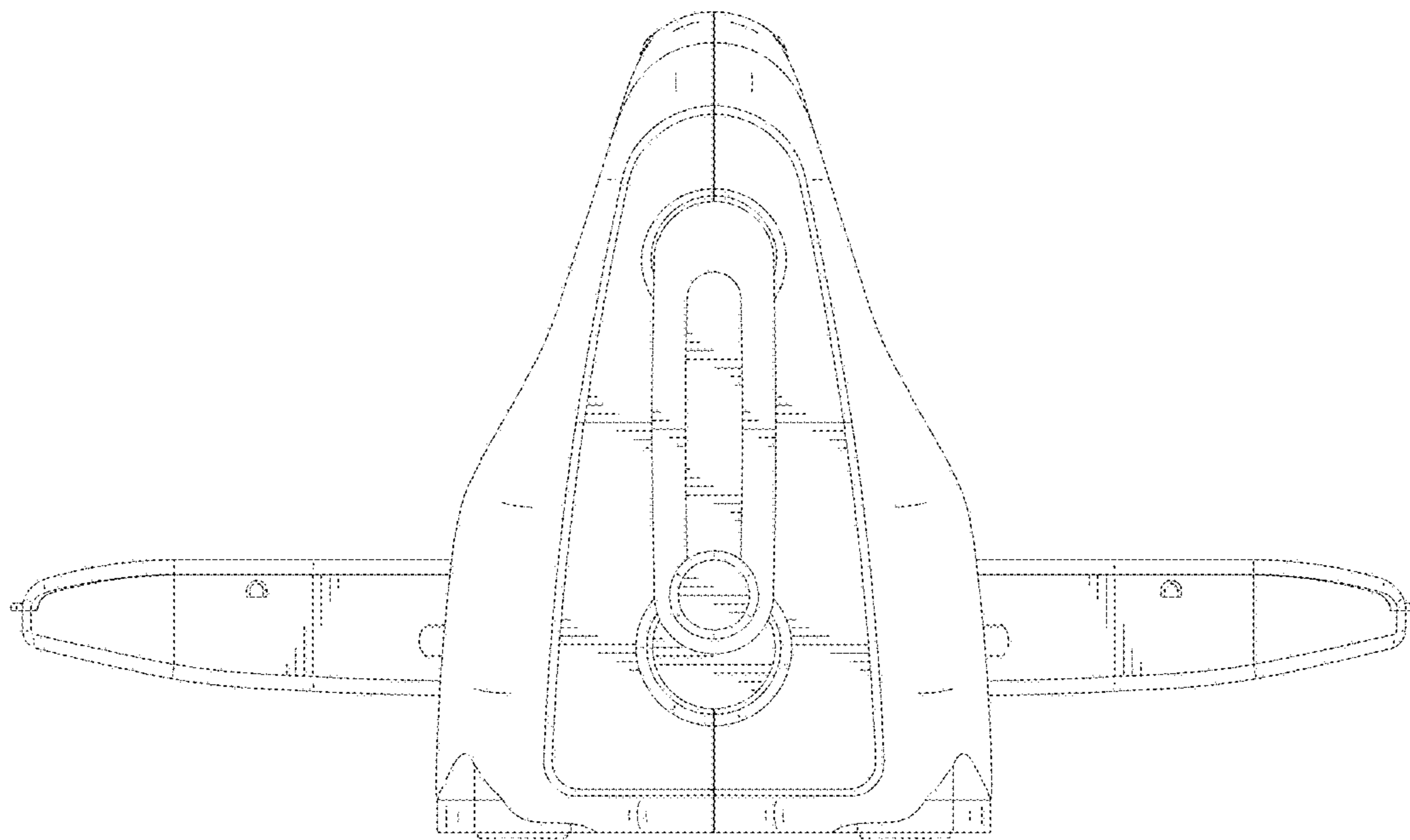


FIG.14

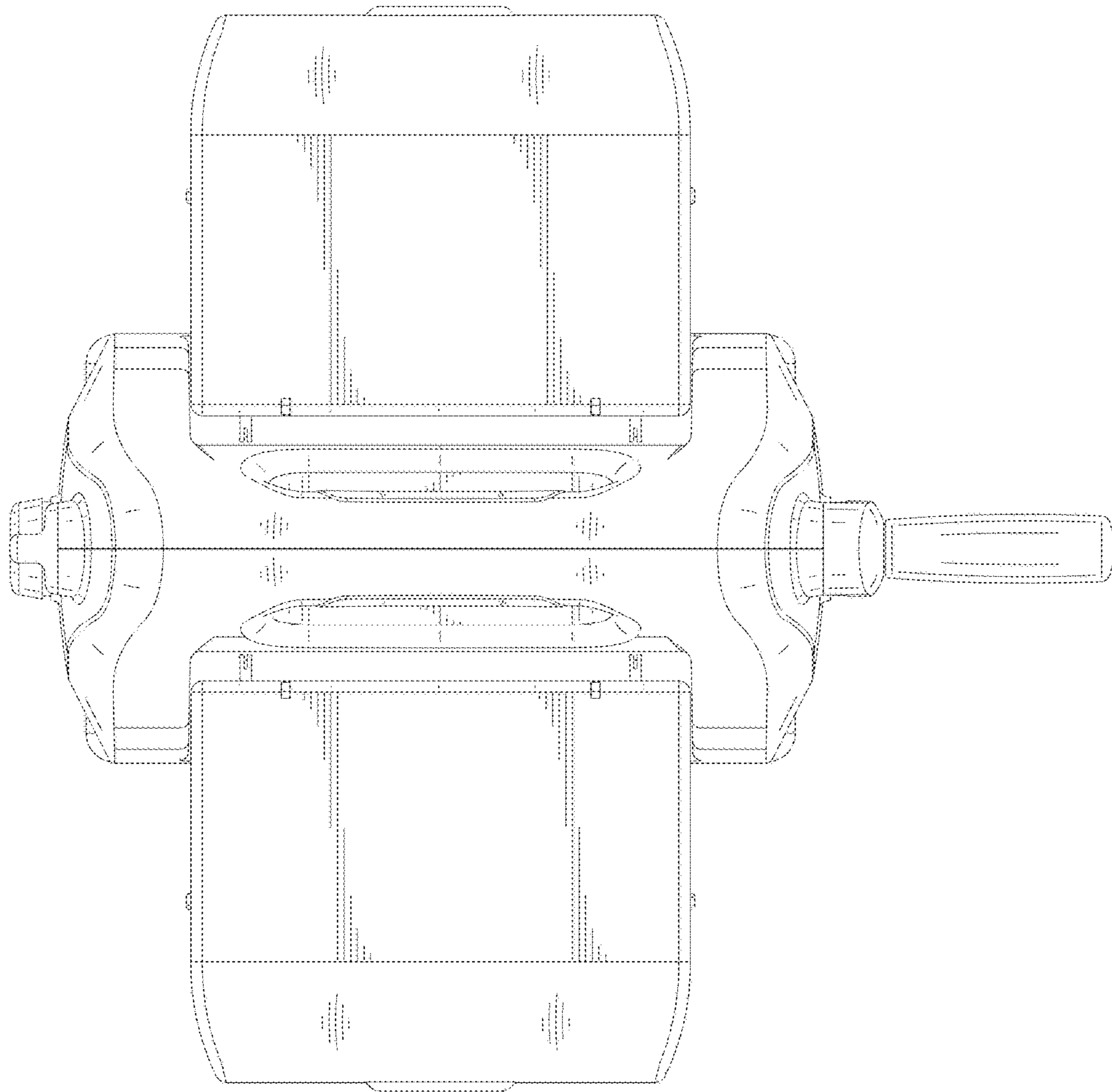


FIG.15

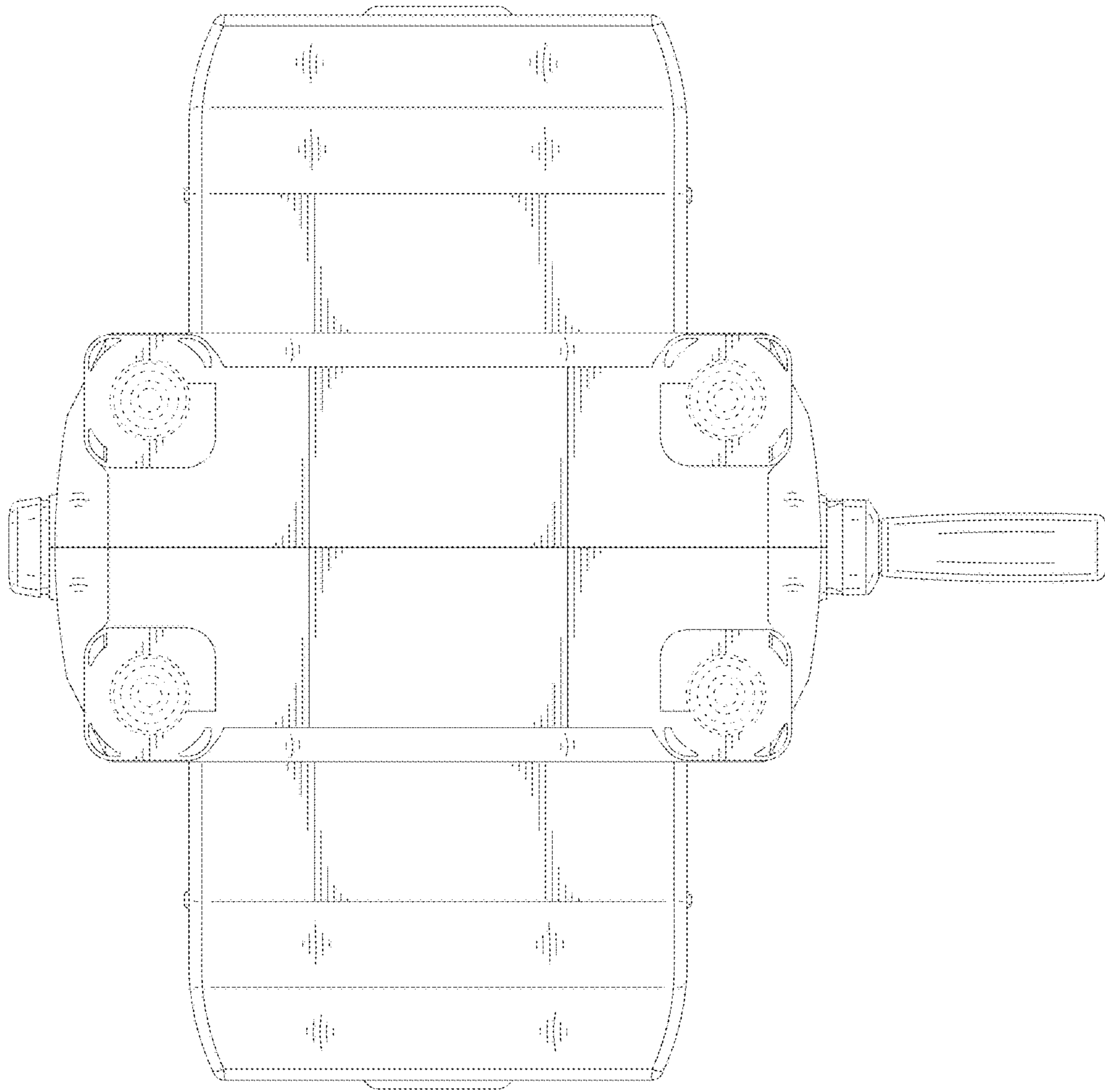


FIG.16

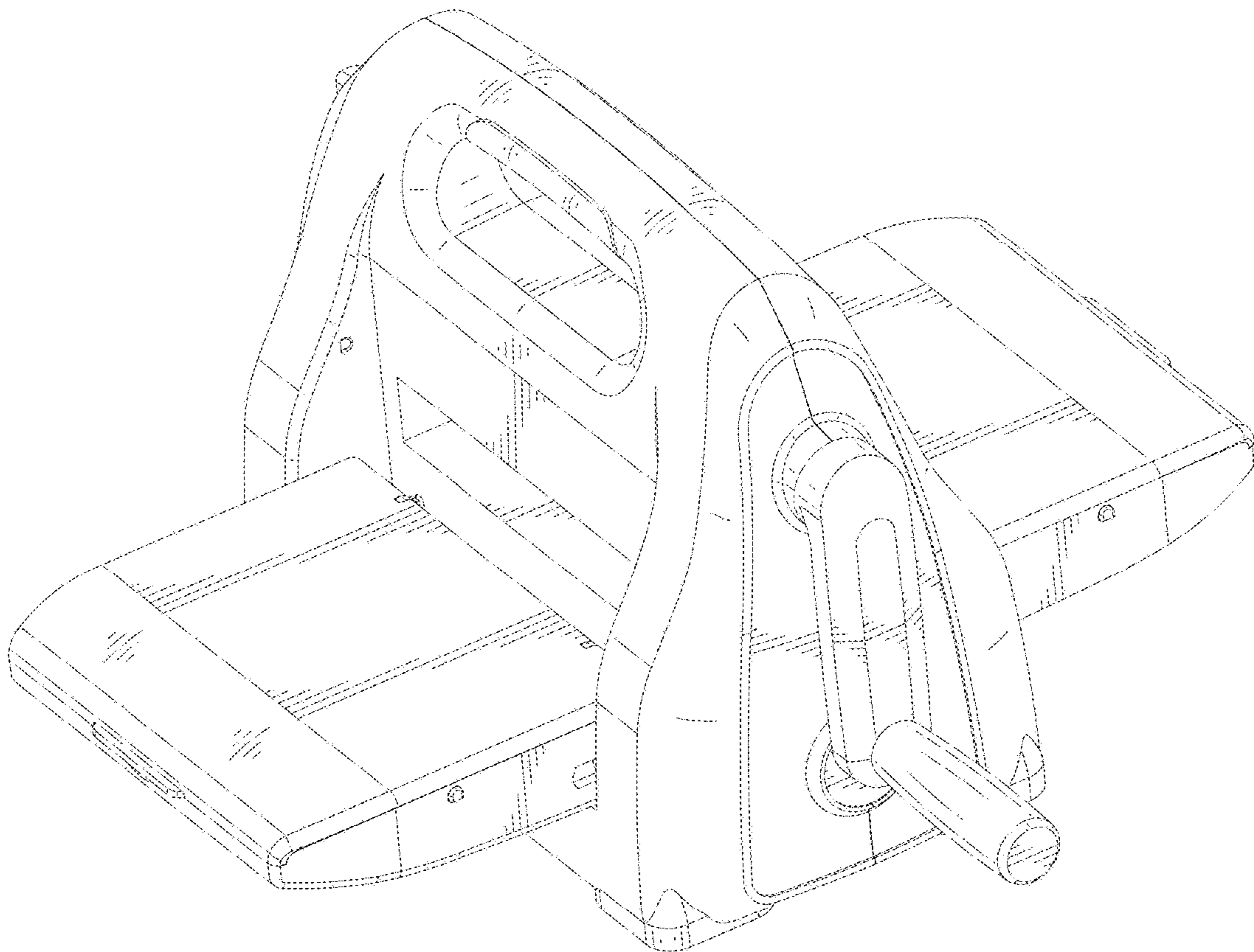


FIG.17

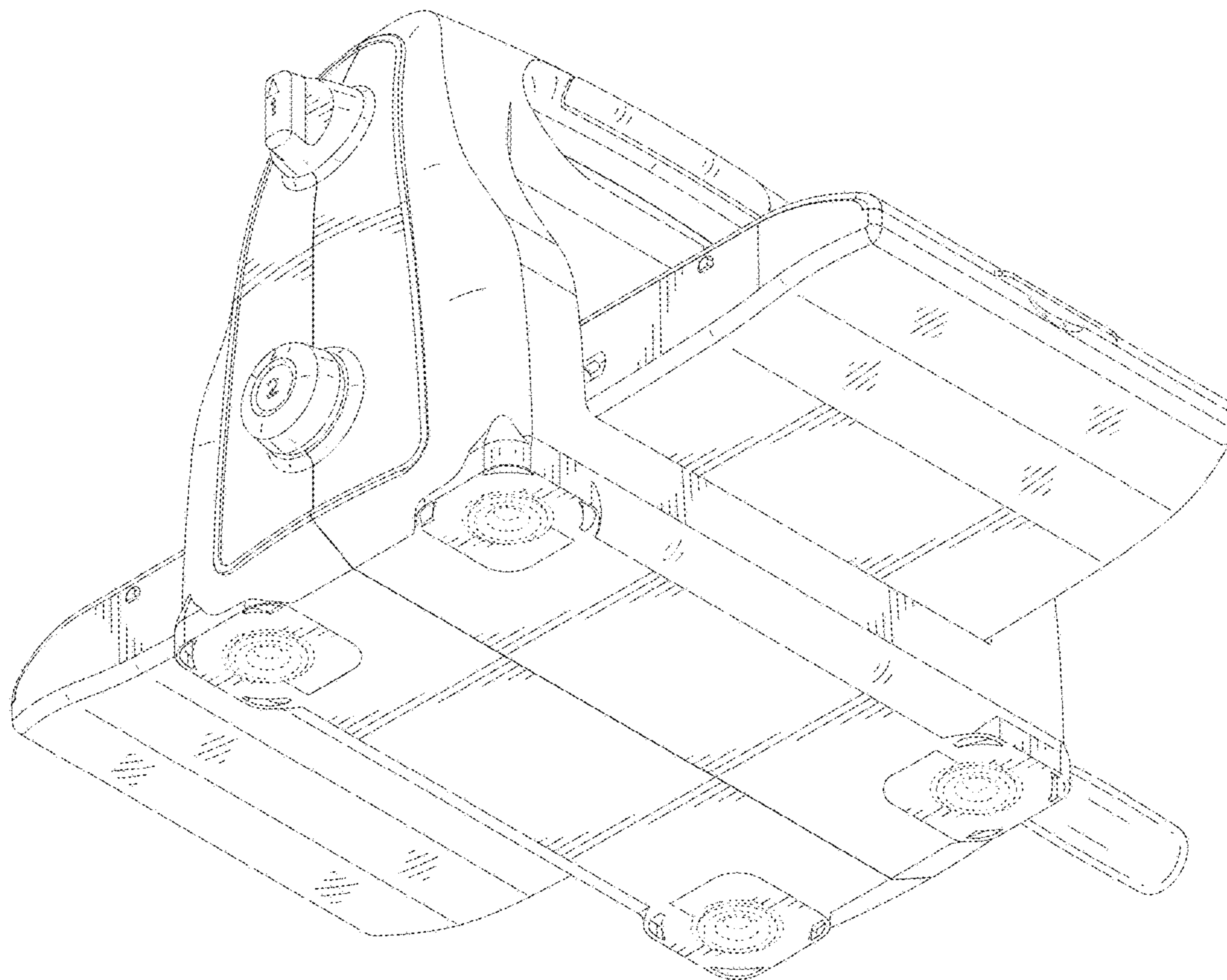


FIG.18



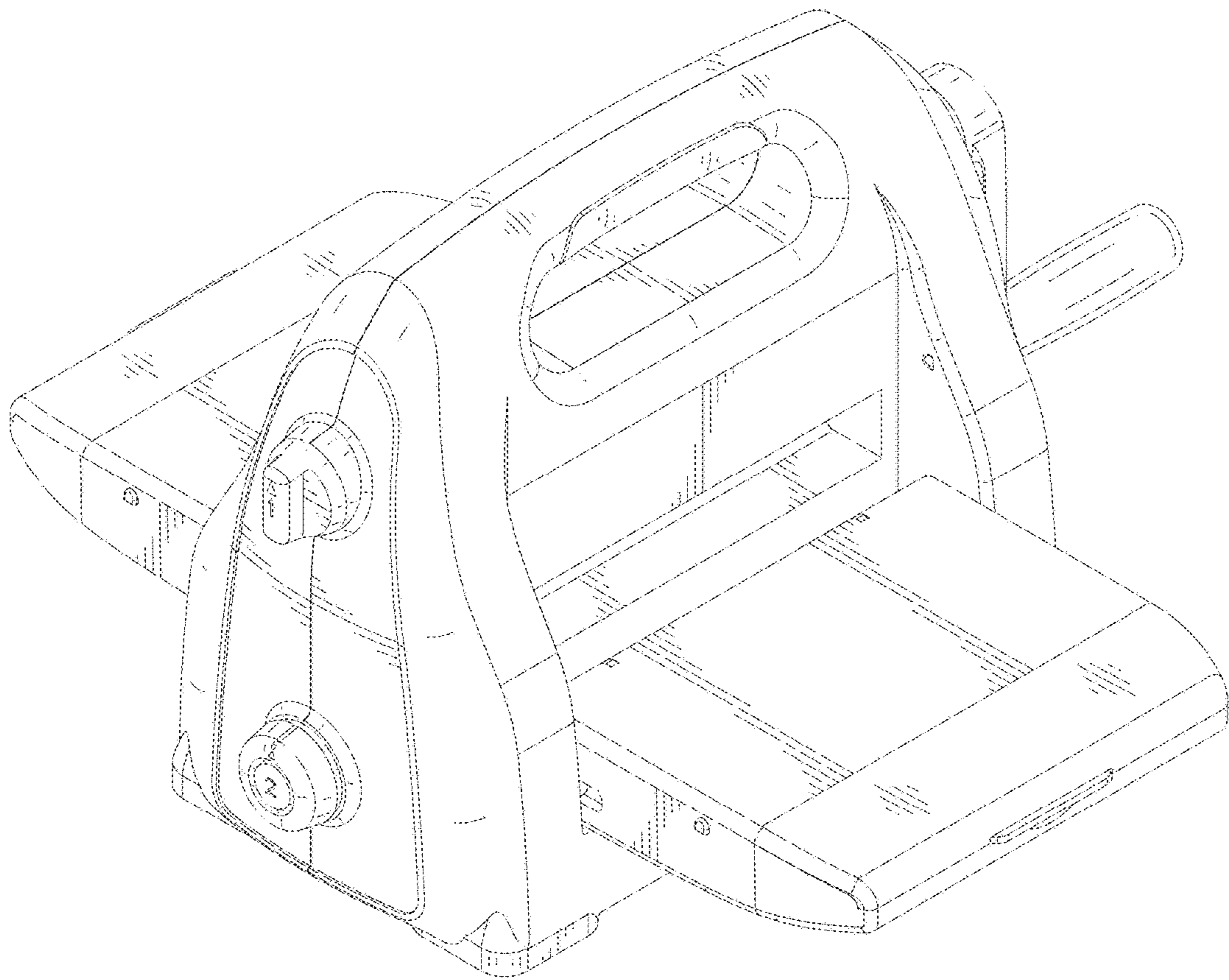


FIG.19

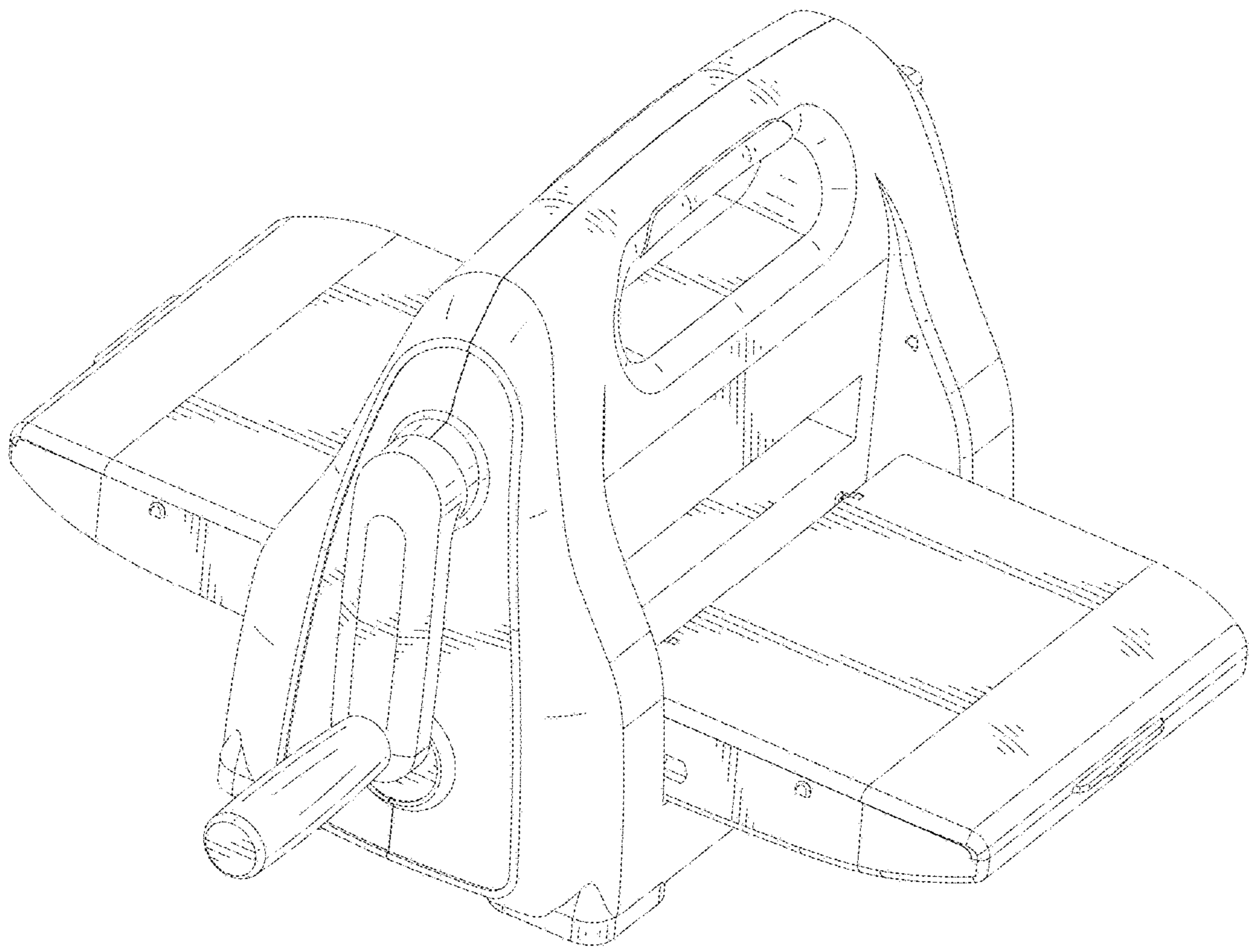


FIG.20