



US00D835162S

(12) **United States Design Patent** (10) **Patent No.:** **US D835,162 S**
Reches et al. (45) **Date of Patent:** **** Dec. 4, 2018**

(54) **CURING DEVICE**

(71) Applicant: **Formlabs, Inc.**, Somerville, MA (US)

(72) Inventors: **Yoav Rech**s, Cambridge, MA (US);
Caitlin Reyda, Cambridge, MA (US);
Robb Morgan, Arlington, MA (US);
Jason Livingston, Somerville, MA
(US); **Ian Ferguson**, Cambridge, MA
(US); **Jonathan Fussman**, Brookline,
MA (US)

(73) Assignee: **Formlabs, Inc.**, Somerville, MA (US)

(**) Term: **15 Years**

(21) Appl. No.: **29/603,006**

(22) Filed: **May 5, 2017**

(51) **LOC (11) Cl.** **15-03**

(52) **U.S. Cl.**
USPC **D15/122**

(58) **Field of Classification Search**
USPC D15/122, 135, 138, 145, 146; D18/6, 7,
D18/14, 19, 50, 54.1, 55
CPC G06T 11/206; G06T 11/60; G06T 15/00;
G06T 2207/30201; G06T 7/0012; G06T
7/11; G06T 11/001; G06T 11/003; G06T
11/40; G06T 13/00; G06T 15/005; G06T
15/02; G06T 15/04; G06T 15/10; G06T
15/20; G06T 15/503; G06T 15/60; G06T
15/80; G06T 19/00; G06T 19/20; G06T
1/20; G06T 2200/24; G06T 2207/10024;
G06T 2207/10068; G06T 2207/10132;
G06T 2207/20221; G06T 2207/30028;
G06T 2207/30048; G06T 2207/30104;
G06T 7/00; G06T 7/149; G06T 7/248;
G06T 7/64

See application file for complete search history.

(56) **References Cited**

U.S. PATENT DOCUMENTS

D732,586 S *	6/2015	Chen	D15/122
D735,267 S *	7/2015	Chung	D18/50
D763,330 S *	8/2016	Olive	D15/122
D770,545 S *	11/2016	Olive	D15/122
D777,808 S *	1/2017	Chang	D15/122
D785,085 S *	4/2017	Lee	D18/55
D787,574 S *	5/2017	Lee	D15/122
D788,843 S *	6/2017	Lee	D18/55
D808,453 S *	1/2018	Share	D15/199
D809,574 S *	2/2018	Lin	D15/122
D810,156 S *	2/2018	Lin	D15/135

* cited by examiner

Primary Examiner — Ian Simmons

Assistant Examiner — Khawaja Anwar

(74) *Attorney, Agent, or Firm* — Wolf, Greenfield &
Sacks, P.C.

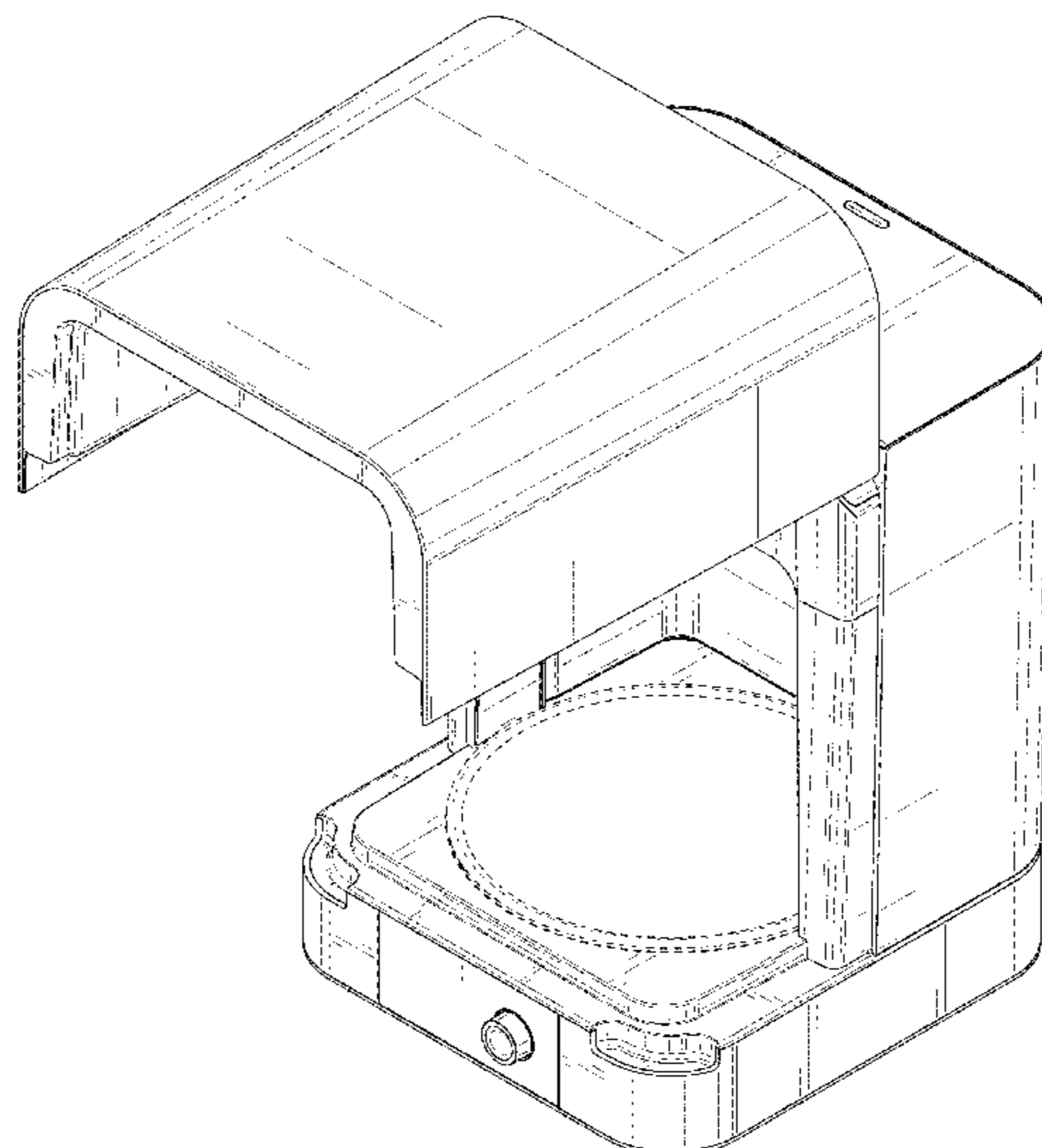
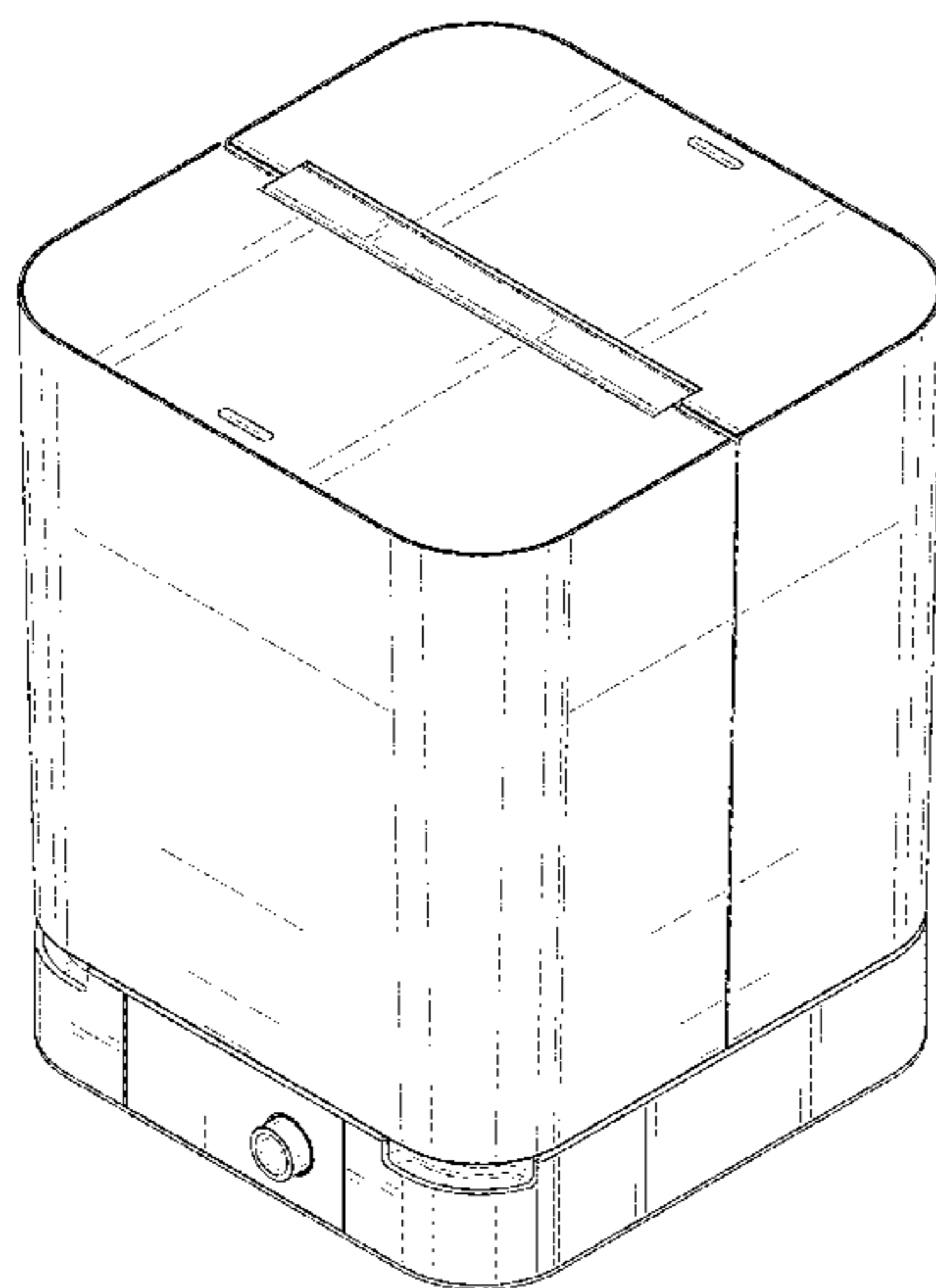
(57) **CLAIM**

The ornamental design for a curing device, substantially as shown.

DESCRIPTION

FIG. 1 is a top, front, right perspective view of a curing device showing a first embodiment of our design;
FIG. 2 is a front view thereof;
FIG. 3 is a back view thereof;
FIG. 4 is a left-side view thereof;
FIG. 5 is a right-side view thereof;
FIG. 6 is a top view thereof;
FIG. 7 is a bottom view thereof;
FIG. 8 is a top, front, right perspective view thereof, showing the curing device in an alternate position;
FIG. 9 is a top, front, left perspective view of FIG. 8;
FIG. 10 is a bottom, front, right perspective view of FIG. 8;
and,
FIG. 11 is a bottom, front, left perspective view of FIG. 8. The broken lines illustrate portions of the curing device that form no part of the claimed design.

1 Claim, 11 Drawing Sheets



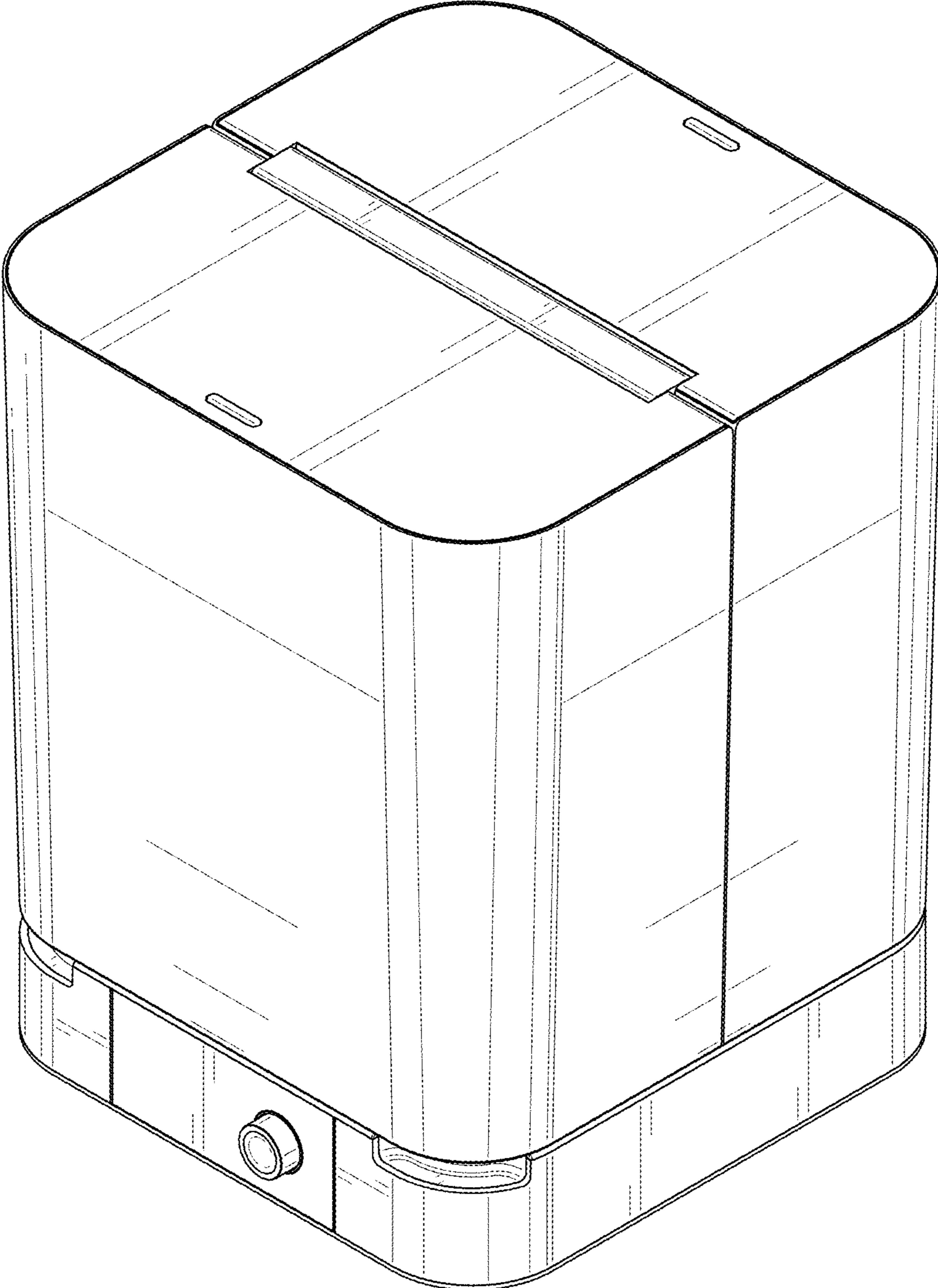


FIG. 1

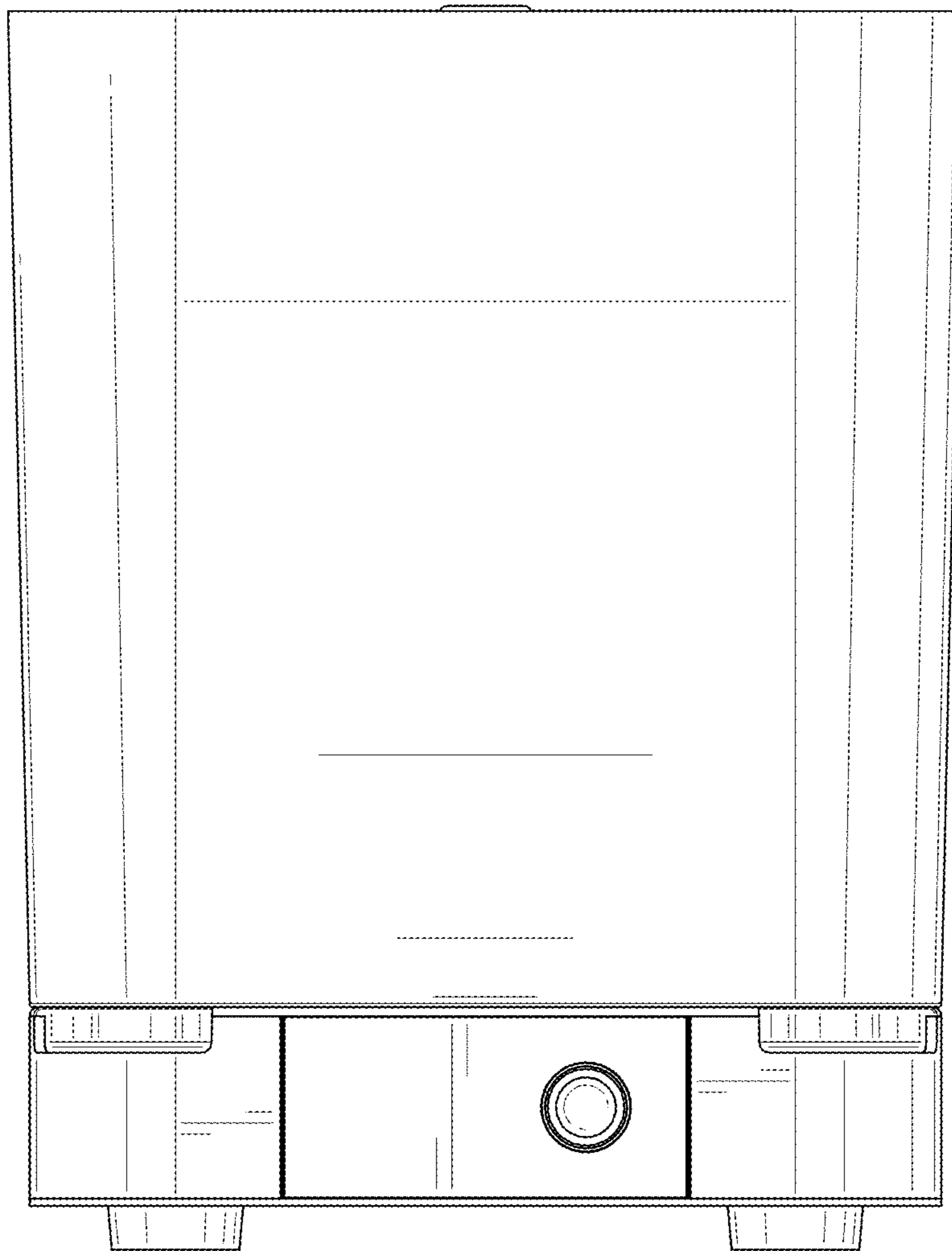


FIG. 2

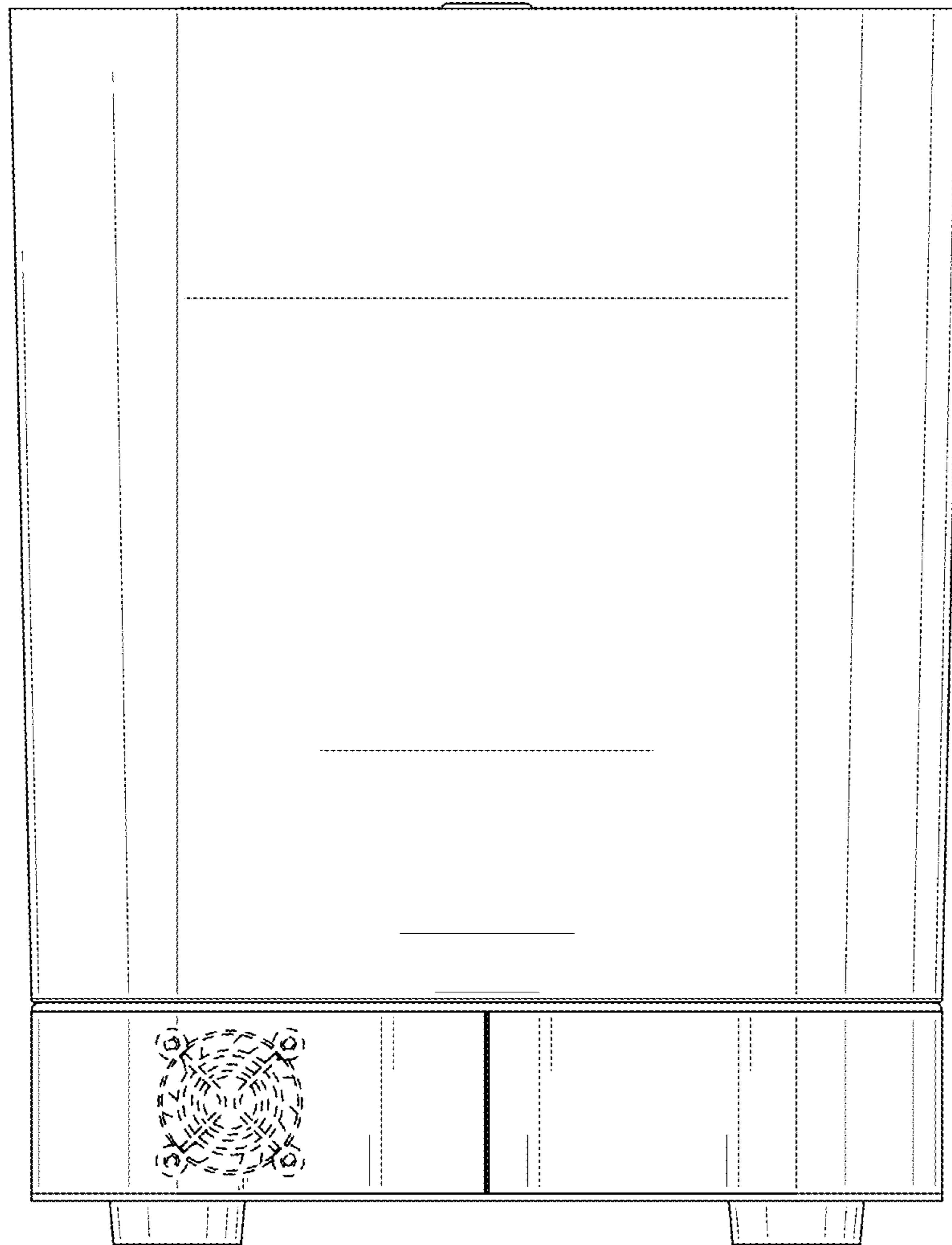


FIG. 3

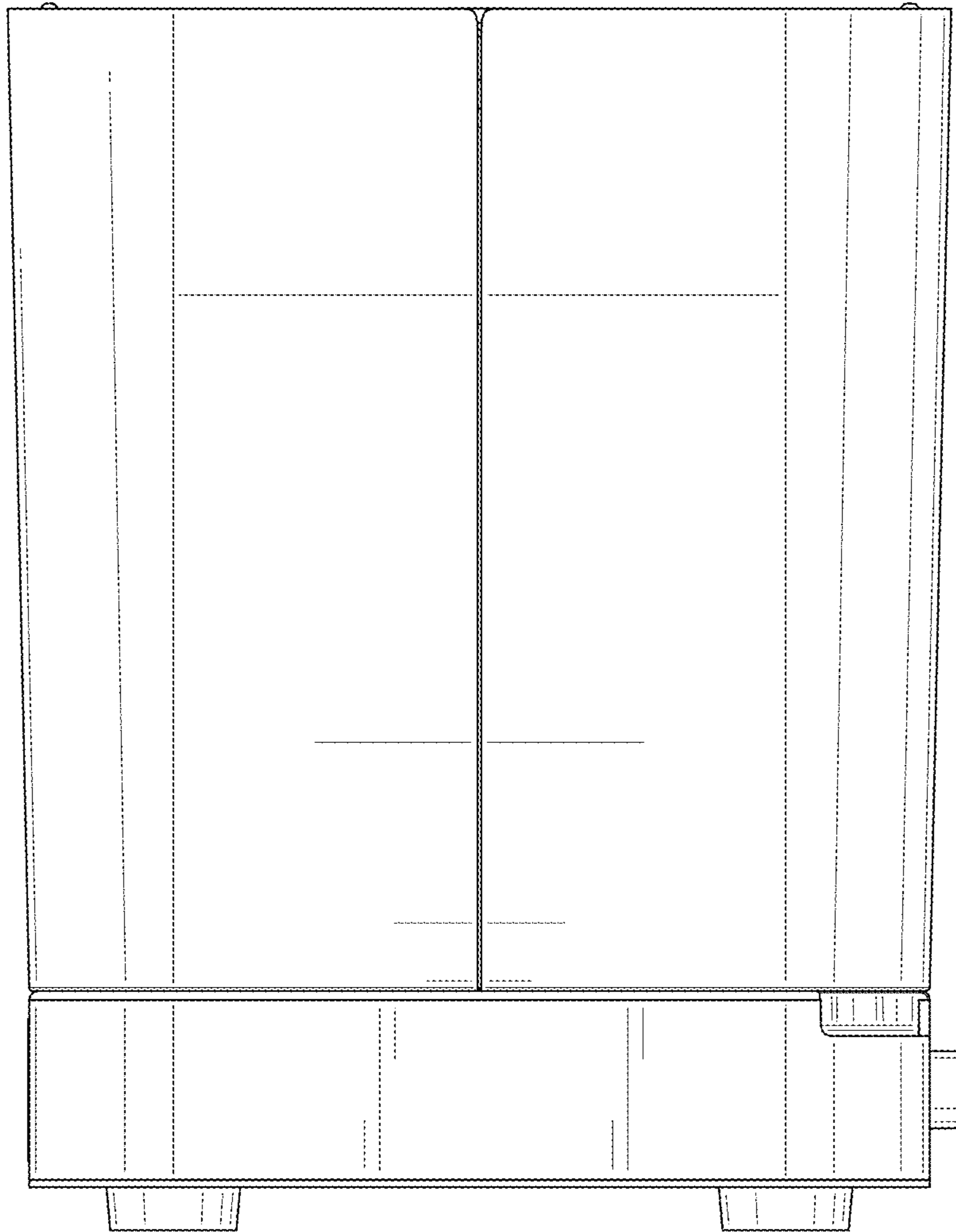


FIG. 4

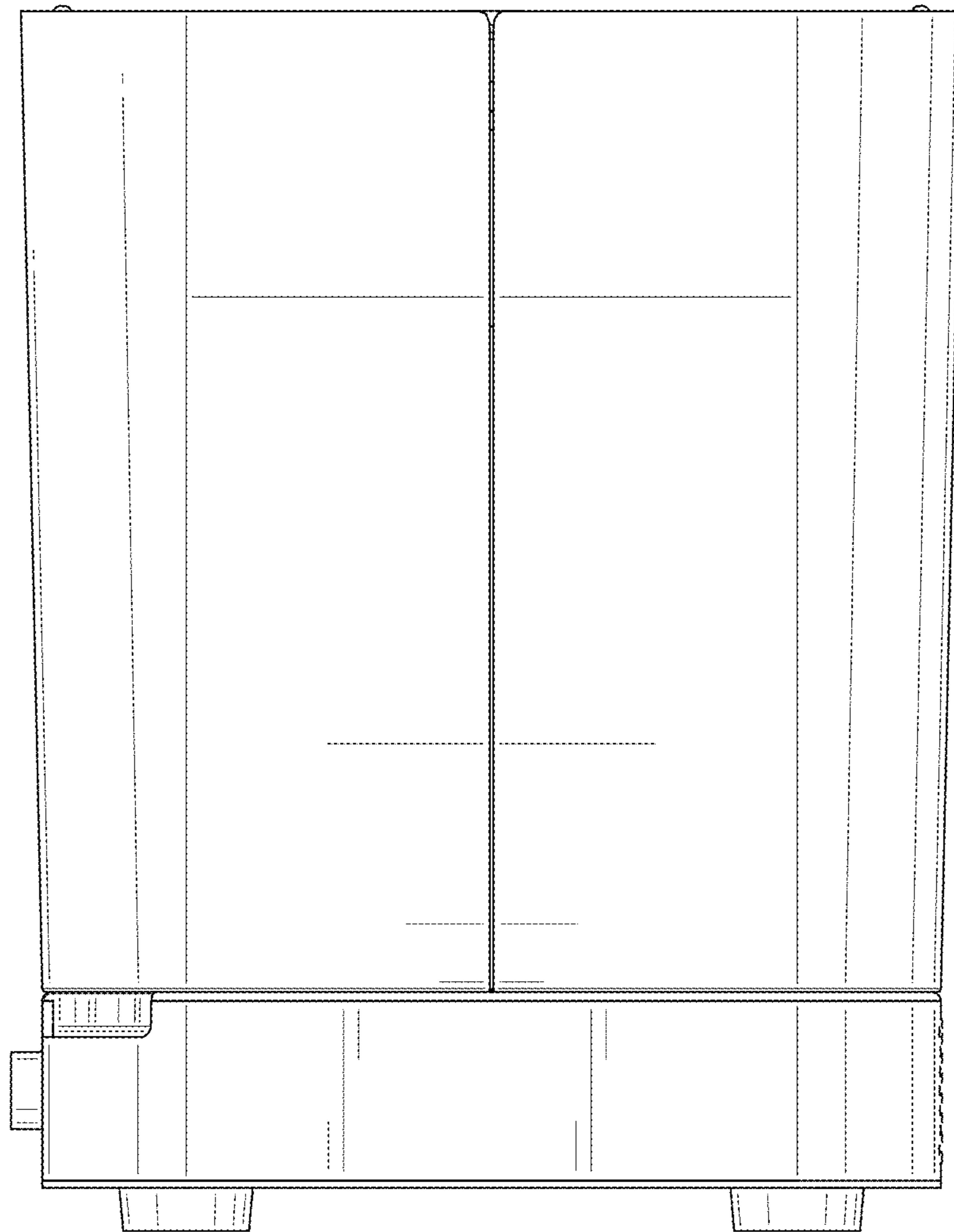


FIG. 5

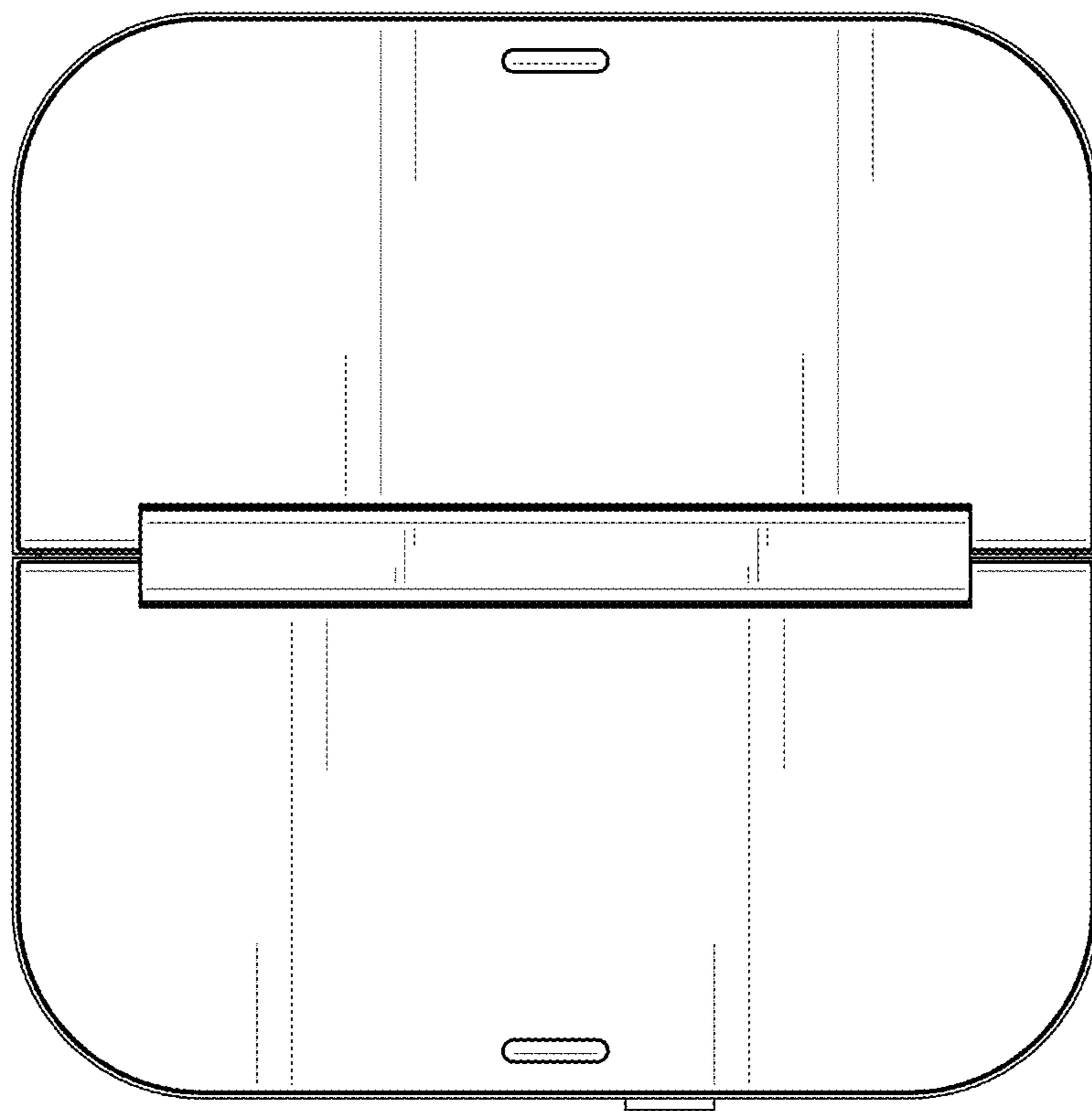


FIG. 6

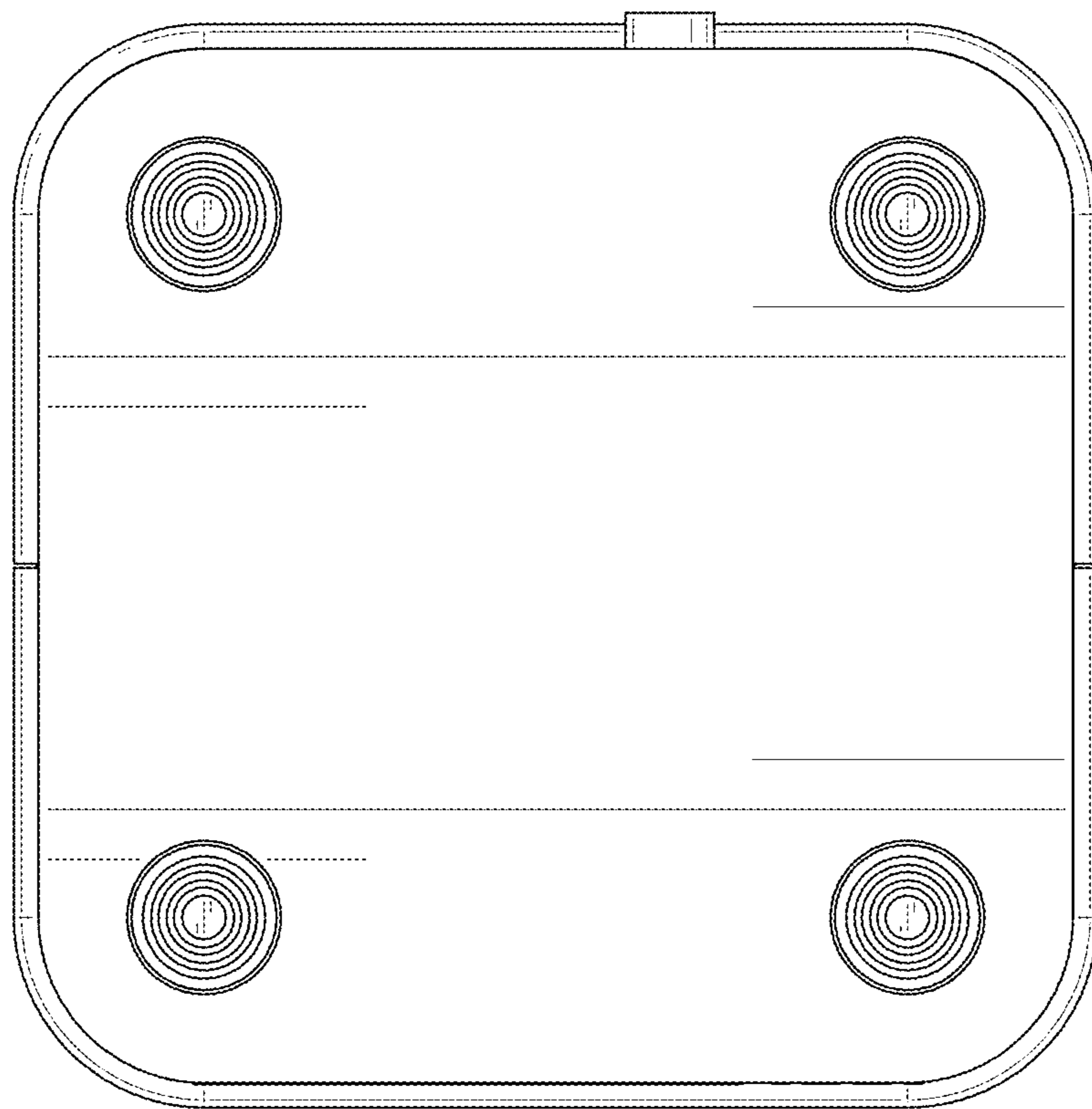


FIG. 7

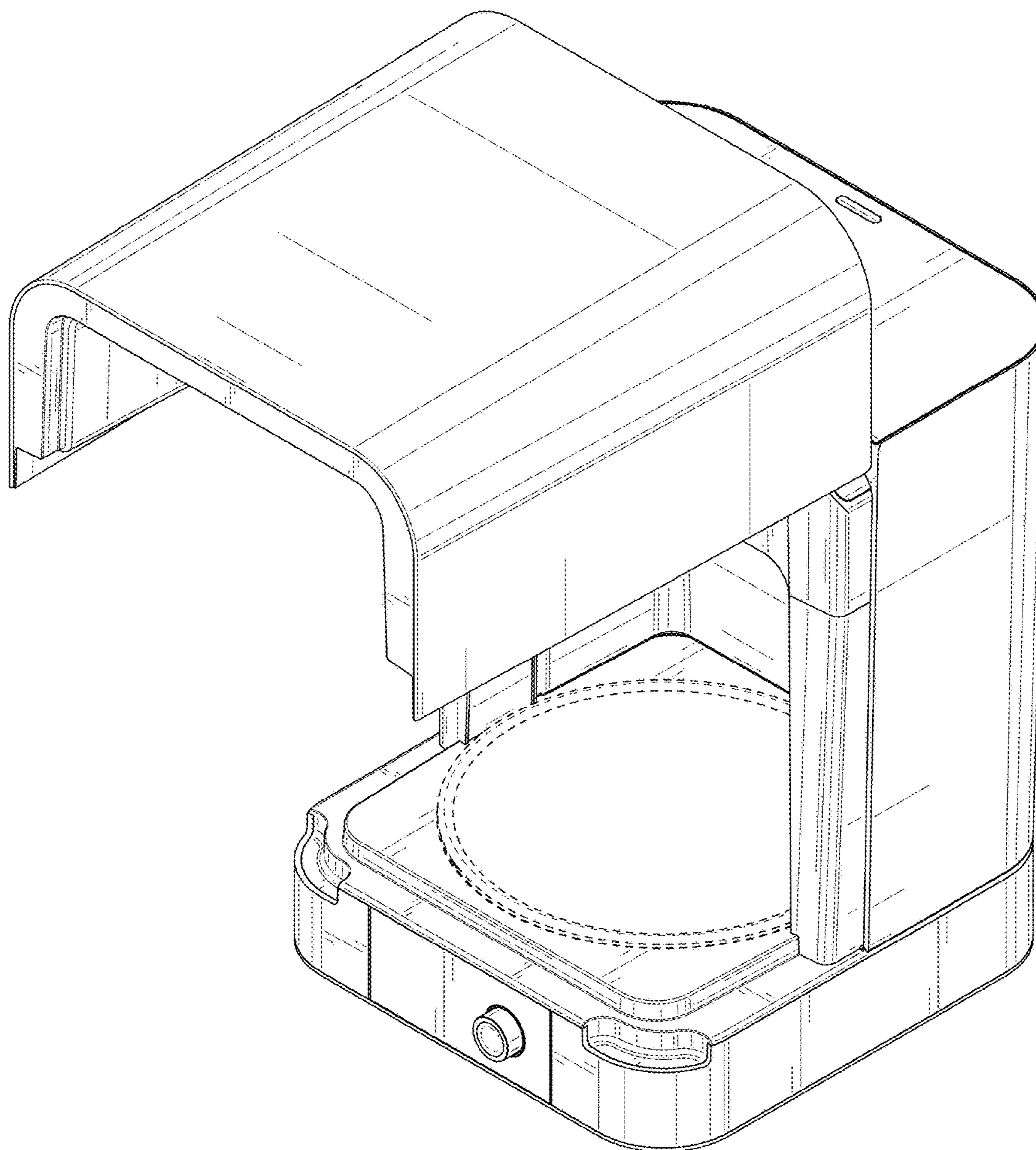


FIG. 8

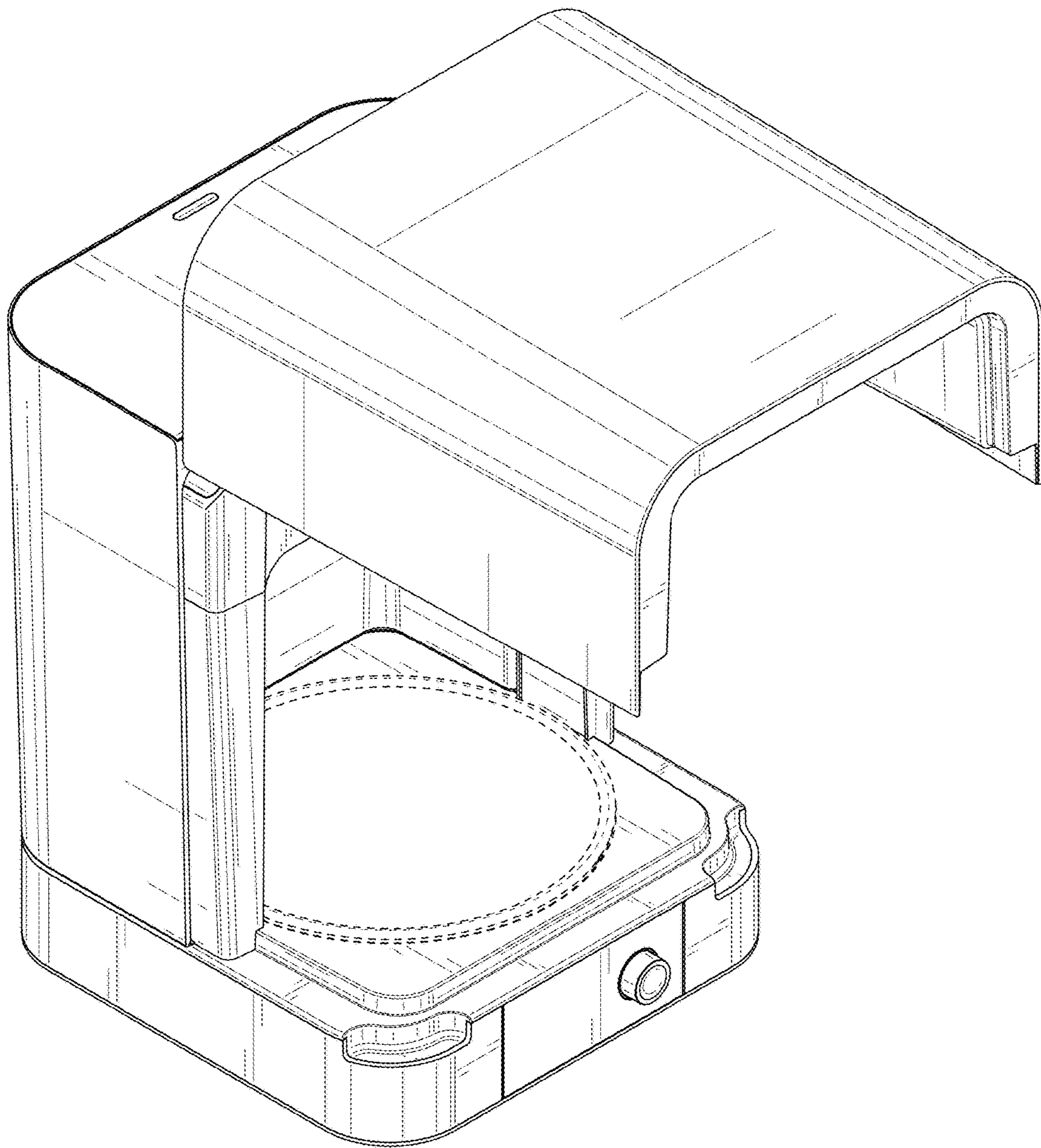


FIG. 9

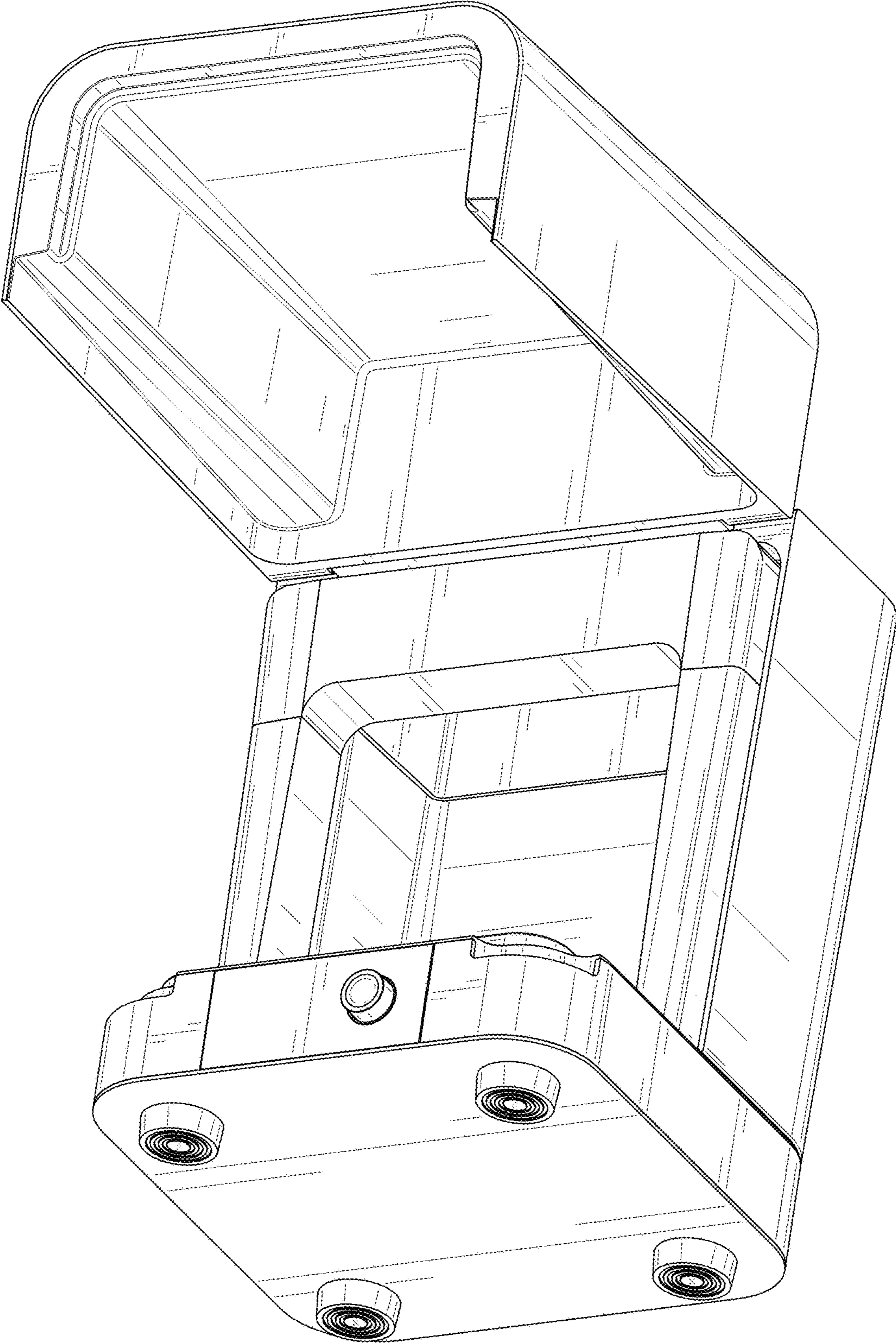


FIG. 10

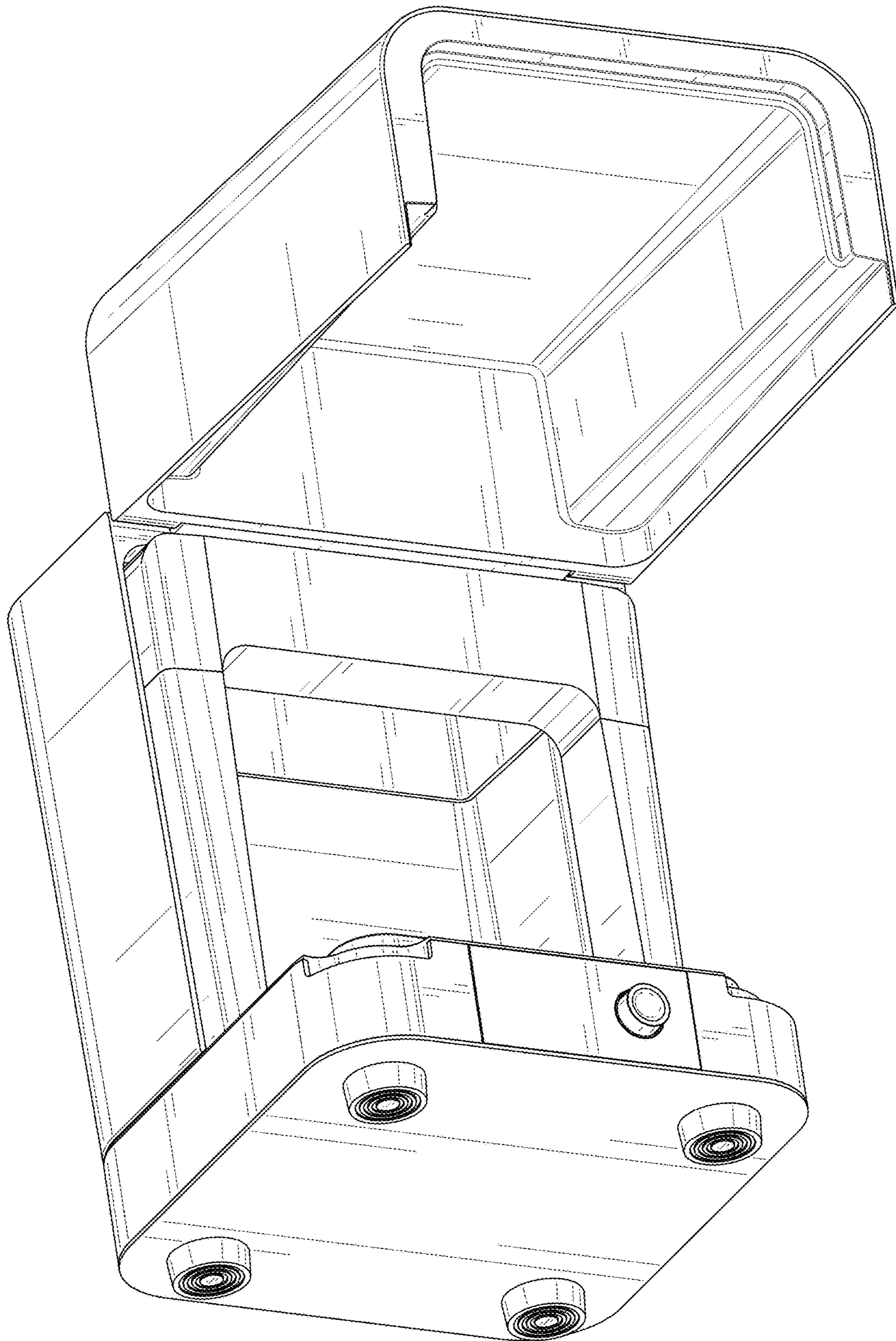


FIG. 11