



US00D835161S

(12) **United States Design Patent**
Blackwell

(10) **Patent No.:** **US D835,161 S**
(45) **Date of Patent:** **** Dec. 4, 2018**

(54) **AGRICULTURAL IMPLEMENT**
(71) Applicant: **Kinze Manufacturing, Inc.**,
Williamsburg, IA (US)
(72) Inventor: **Robert Blackwell**, Coralville, IA (US)
(73) Assignee: **Kinze Manufacturing, Inc.**,
Williamsburg, IA (US)
(**) Term: **15 Years**

6,935,254 B2 * 8/2005 Ostrander A01B 73/065
111/174
D559,868 S * 1/2008 Nanlawala D15/10
D627,373 S * 11/2010 Prickel D15/10
D628,214 S * 11/2010 Knobloch D15/27
D628,600 S * 12/2010 Hicks D15/27
D629,426 S * 12/2010 Prickel D15/10
D629,427 S * 12/2010 Prickel D15/10
D631,068 S * 1/2011 Prickel D15/10
D635,590 S * 4/2011 Kovach D15/11
D646,699 S * 10/2011 Knobloch D15/27

(Continued)

(21) Appl. No.: **29/611,642**
(22) Filed: **Jul. 24, 2017**
(51) **LOC (11) Cl.** **15-03**
(52) **U.S. Cl.**
USPC **D15/27**
(58) **Field of Classification Search**
USPC D15/10, 12, 27, 28; 56/15.8, 15.9;
172/311, 210, 466, 484, 456, 481, 605,
172/626, 776, 507; 280/411.1, 412, 413,
280/415 A, 415 R, 482, 656
CPC A01B 73/065; A01B 73/005; A01B 73/00;
A01B 73/02; A01B 73/04; A01B 73/06;
A01B 49/06; A01B 49/00; A01B 61/044;
A01B 61/048; A01B 5/04; A01B 49/027;
A01B 73/046; A01B 73/048; A01B
63/002; A01B 63/14; A01B 63/32; A01B
63/118; A01C 7/208; A01C 7/18; A01C
7/00; A01C 7/20; A01C 7/06; A01C
5/064; A01C 5/068; A01C 7/203; A01C
7/205; A01C 7/206; Y10S 111/921; Y10S
111/923; Y10S 111/924; Y10S 111/925
See application file for complete search history.

Primary Examiner — Mark A Goodwin
(74) *Attorney, Agent, or Firm* — McKee, Voorhees &
Sease, PLC

(57) **CLAIM**

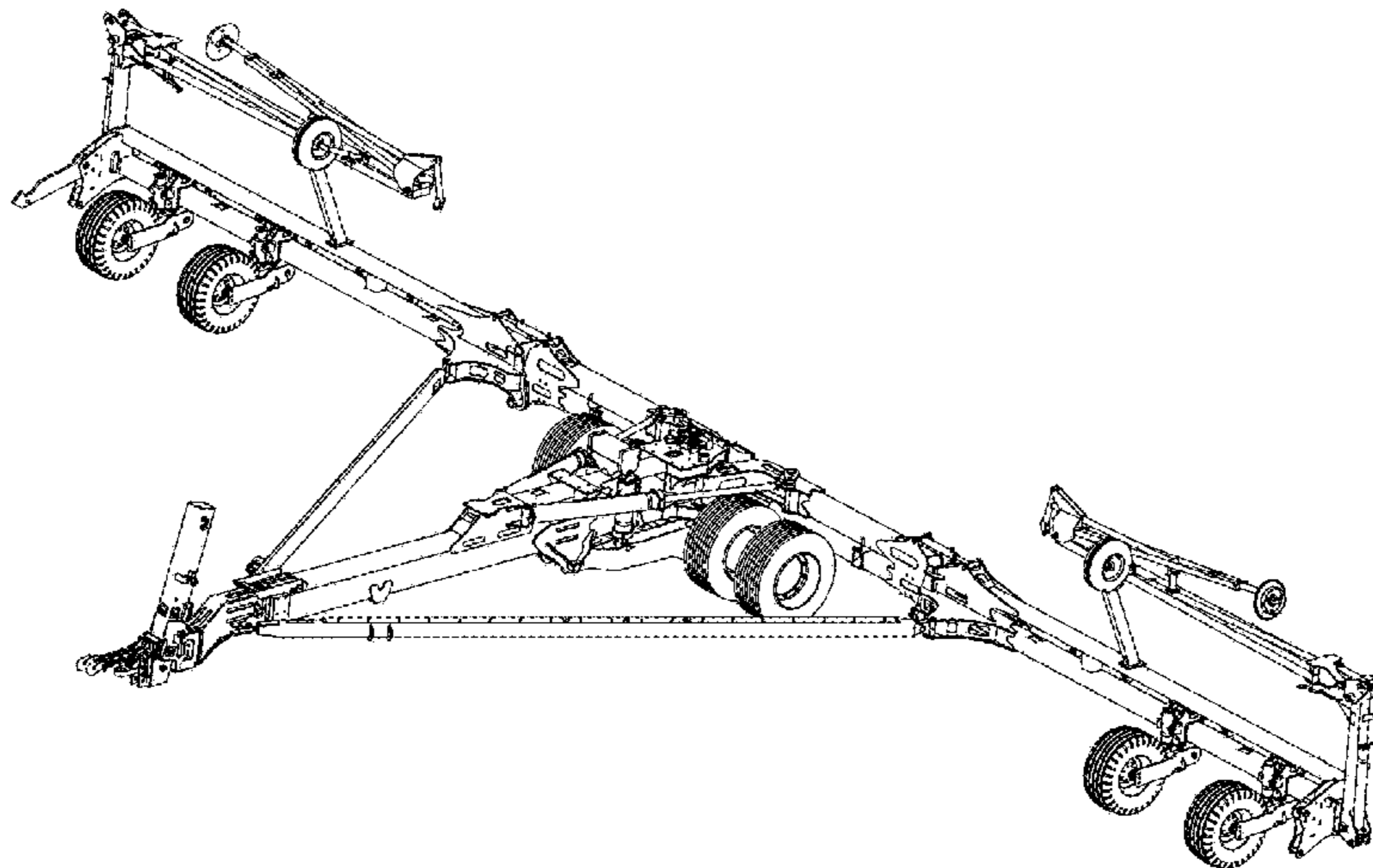
I claim the ornamental design for an agricultural implement,
substantially as shown and described.

DESCRIPTION

FIG. 1 is an isometric view of an agricultural implement;
FIG. 2 is a rear isometric view of the agricultural implement;
FIG. 3 is a top plan view of the agricultural implement;
FIG. 4 is a rear elevation view of the agricultural implement;
FIG. 5 is side elevation view of the agricultural implement;
FIG. 6 is an isometric view of the agricultural implement in
a transport configuration;
FIG. 7 is a rear isometric view of the agricultural implement
in a transport configuration;
FIG. 8 is a top plan view of the agricultural implement in a
transport configuration;
FIG. 9 is a rear elevation view of the agricultural implement
in a transport configuration; and,
FIG. 10 is a side elevation view of the agricultural imple-
ment in a transport configuration.

(56) **References Cited**
U.S. PATENT DOCUMENTS
5,232,054 A * 8/1993 Van Blaricon A01B 73/065
172/311
D469,782 S * 2/2003 Paluch D15/10

1 Claim, 10 Drawing Sheets



(56)

References Cited

U.S. PATENT DOCUMENTS

D667,847 S * 9/2012 Kovach A01B 49/02
D15/11
D668,687 S * 10/2012 Kromminga D15/11
D680,559 S * 4/2013 Blunier D15/10
D748,678 S * 2/2016 Kelly D15/27
D758,458 S * 6/2016 Anderson D15/10
D760,299 S * 6/2016 Achten D15/11
D766,333 S * 9/2016 Anderson D15/27
2003/0164126 A1 * 9/2003 Paluch A01C 7/06
111/57
2003/0164127 A1 * 9/2003 Paluch A01B 61/044
111/200
2009/0178600 A1 * 7/2009 Horn A01C 15/006
111/52
2009/0199750 A1 * 8/2009 Rice A01C 19/04
111/52
2009/0229501 A1 * 9/2009 Jaime A01B 73/065
111/55
2010/0126742 A1 * 5/2010 Poole A01B 73/065
172/311
2010/0126743 A1 * 5/2010 Poole A01B 73/065
172/311
2010/0126744 A1 * 5/2010 Poole A01B 73/065
172/311
2017/0079197 A1 * 3/2017 Steinlage A01B 73/044
2017/0105332 A1 * 4/2017 Sudbrink A01B 73/046
2017/0112046 A1 * 4/2017 Sudbrink A01B 73/02
2017/0172051 A1 * 6/2017 Sudbrink A01B 63/32

* cited by examiner

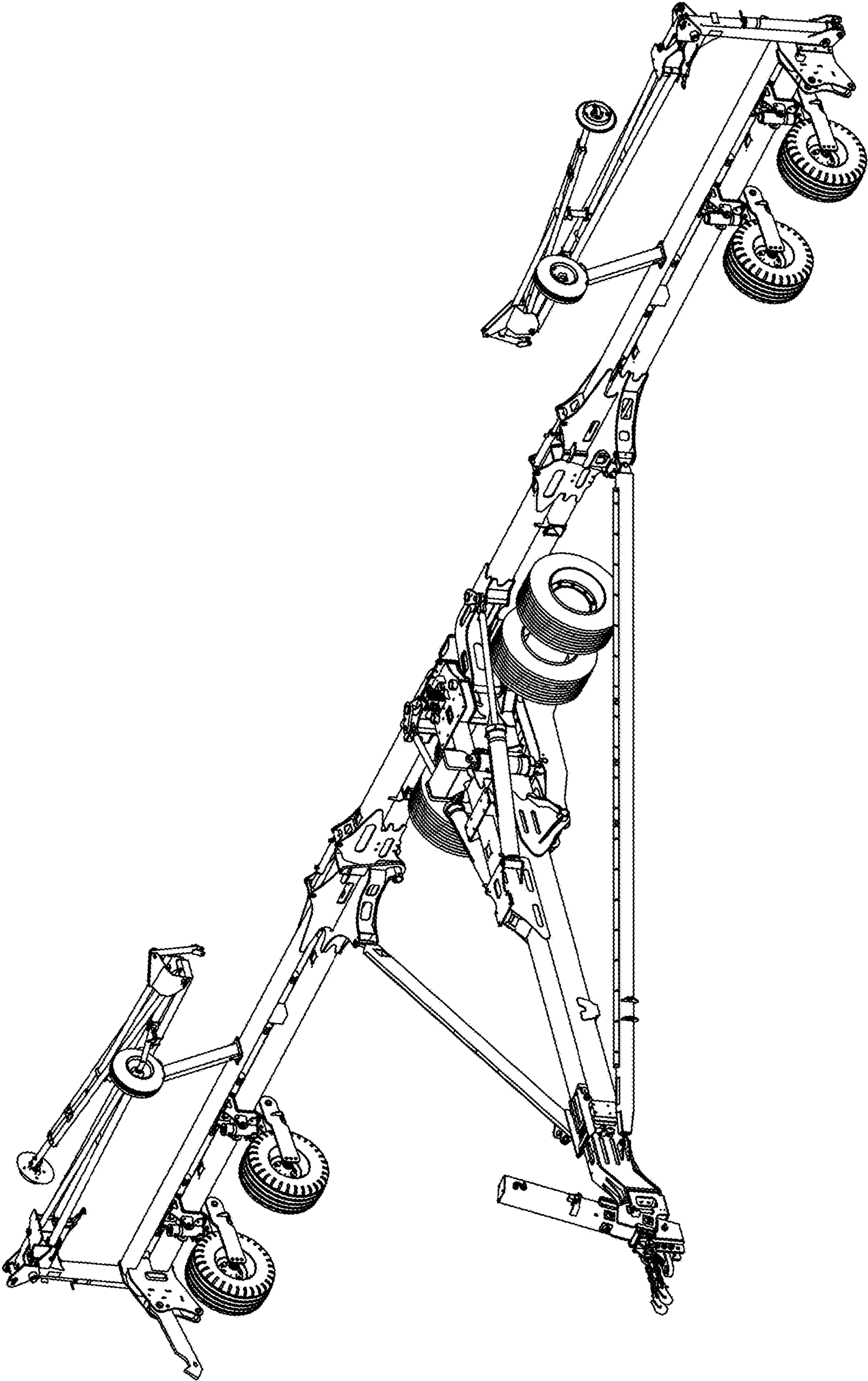


FIG. 1

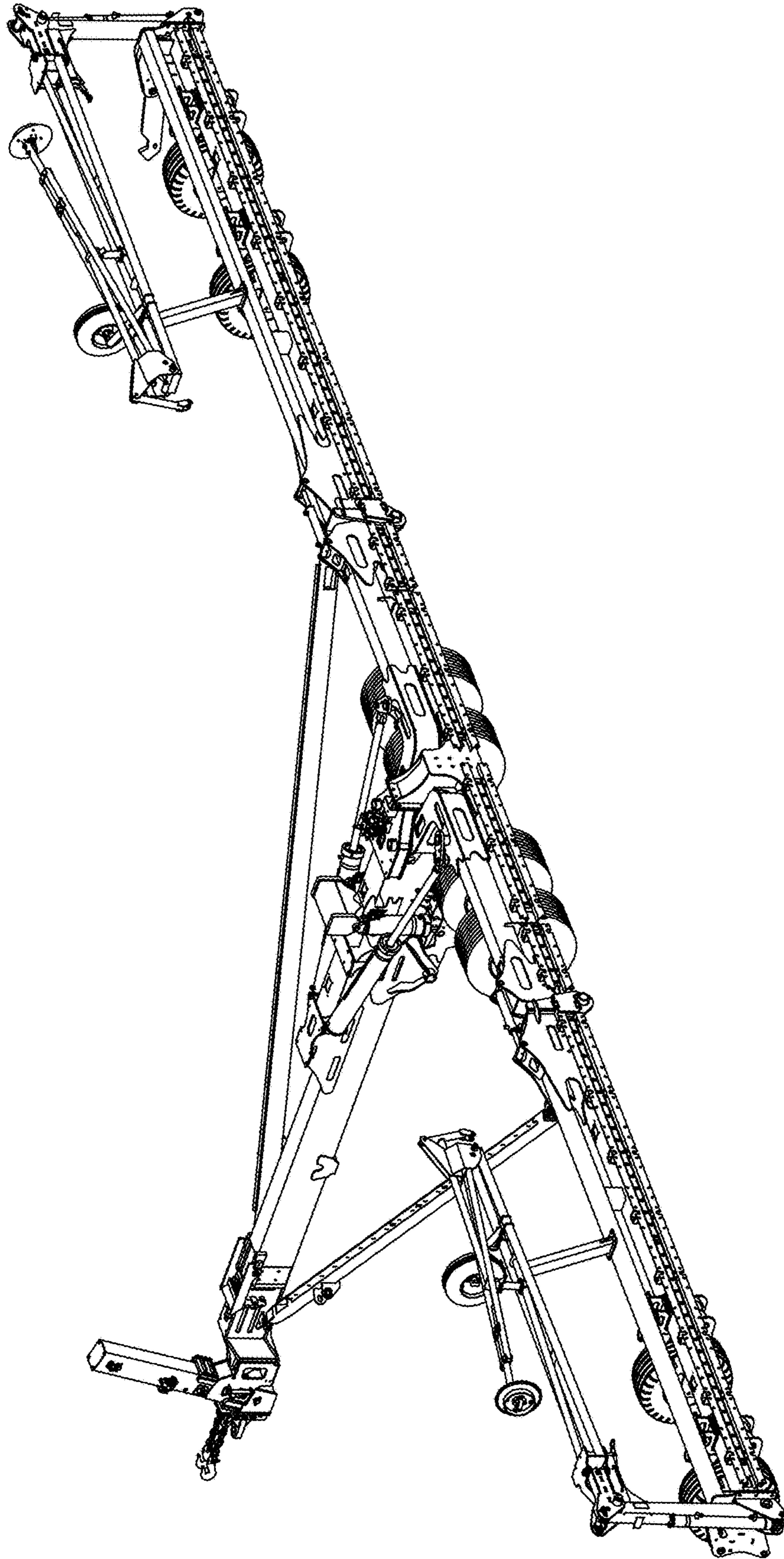


FIG. 2

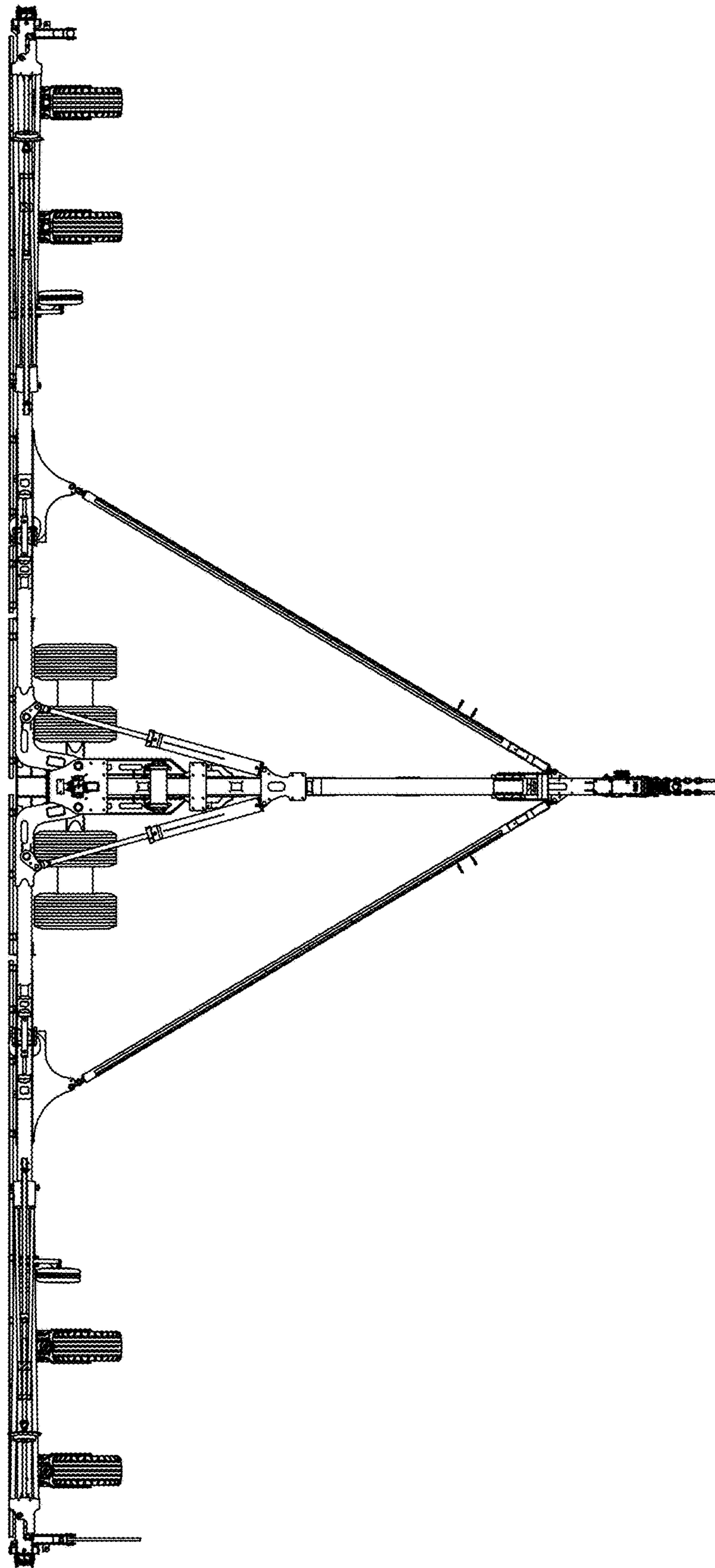


FIG. 3

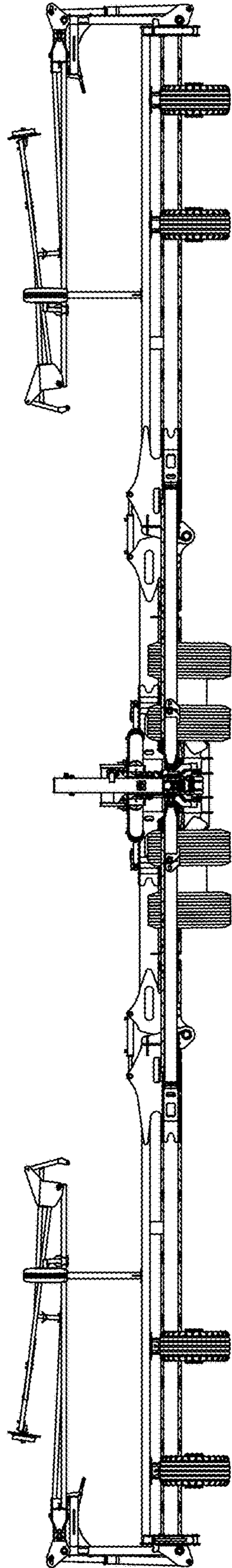


FIG. 4

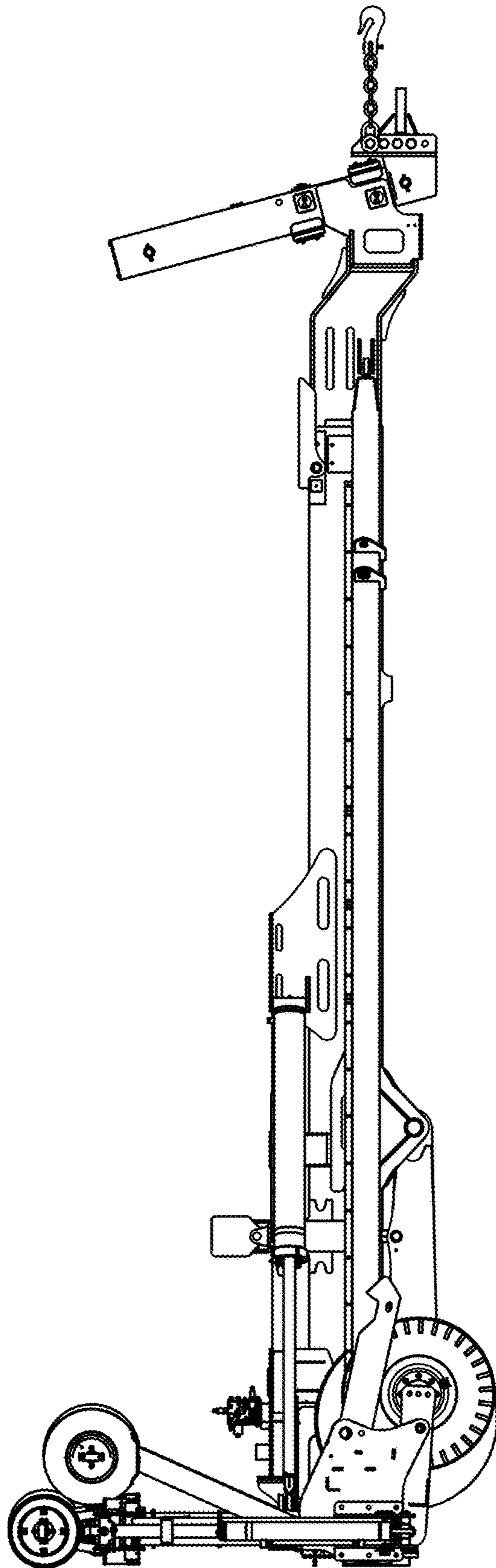


FIG. 5

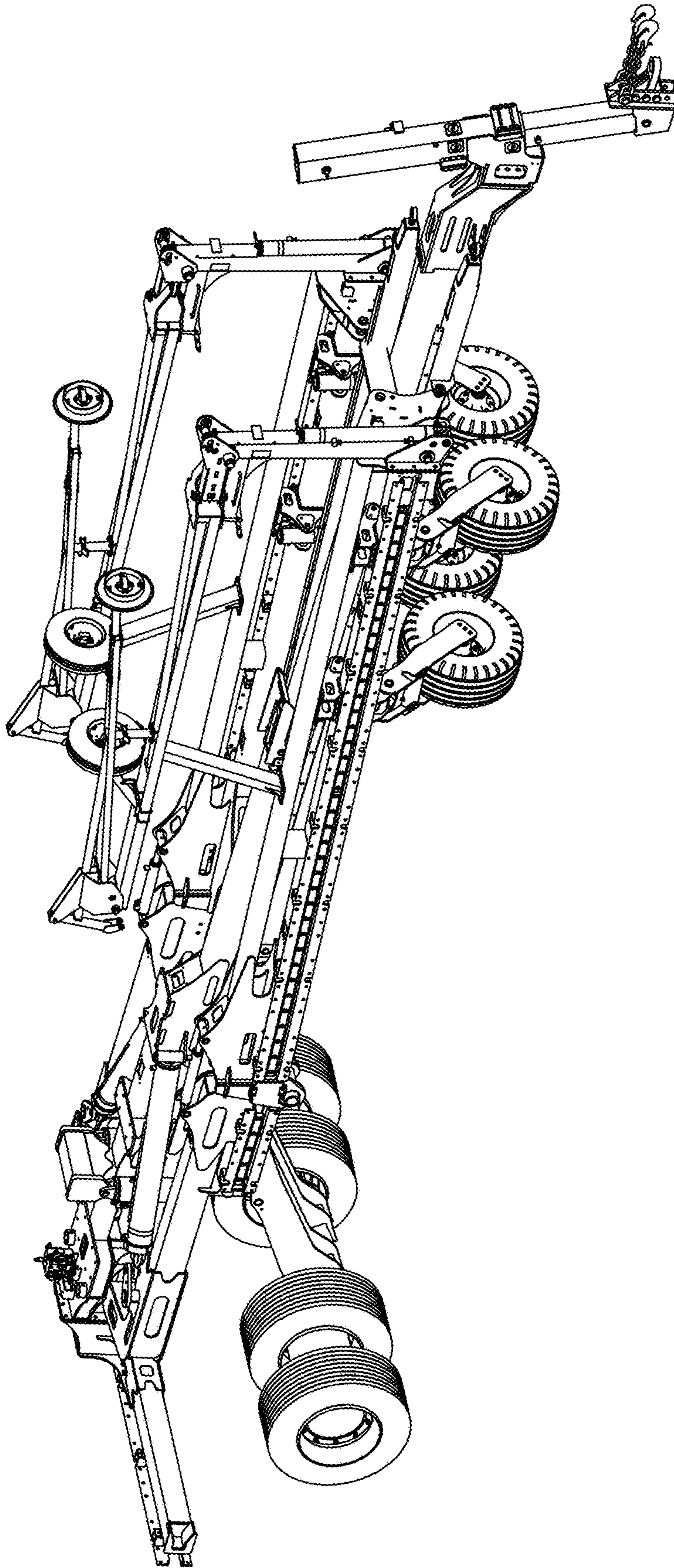


FIG. 6

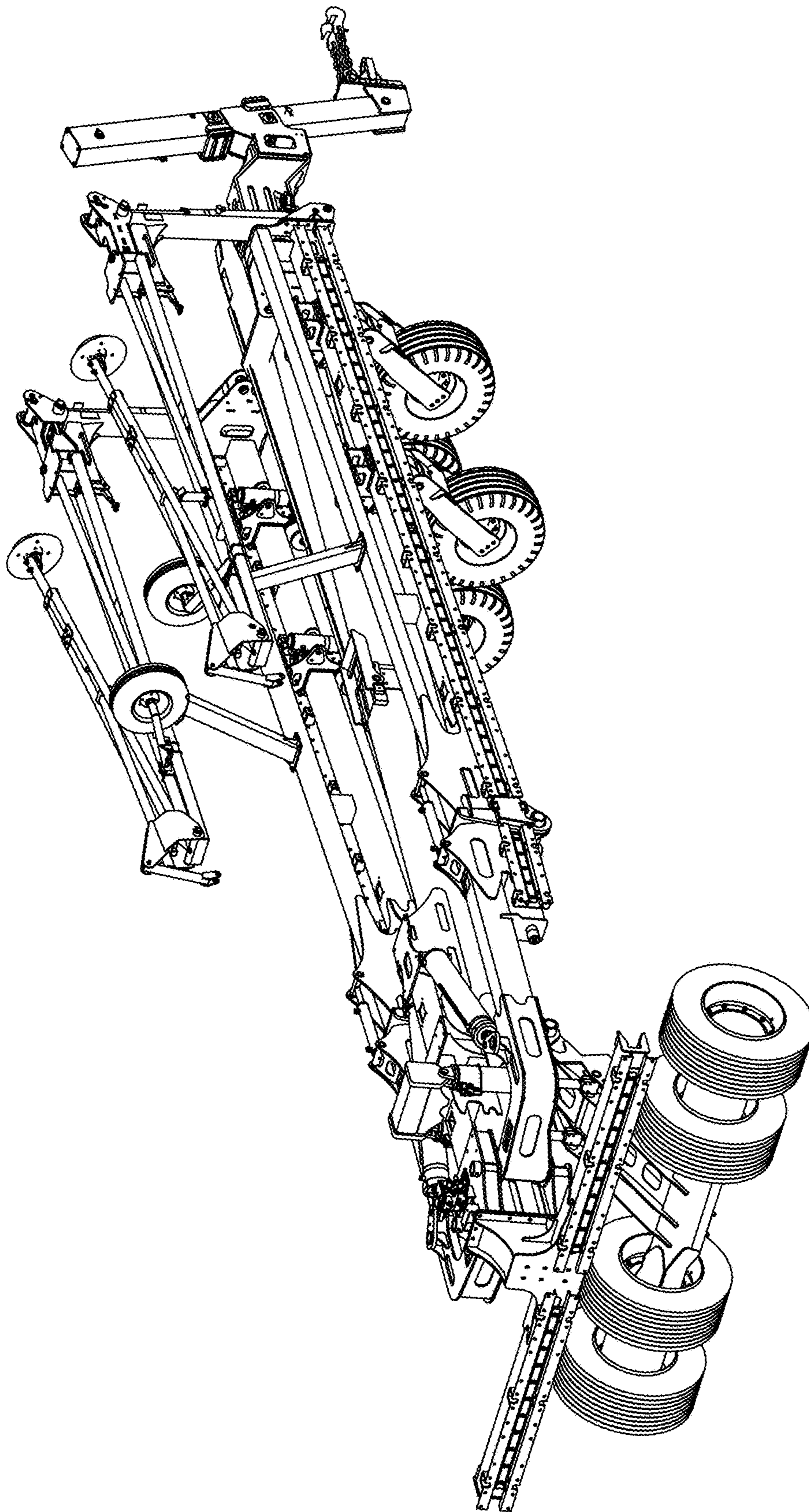


FIG. 7

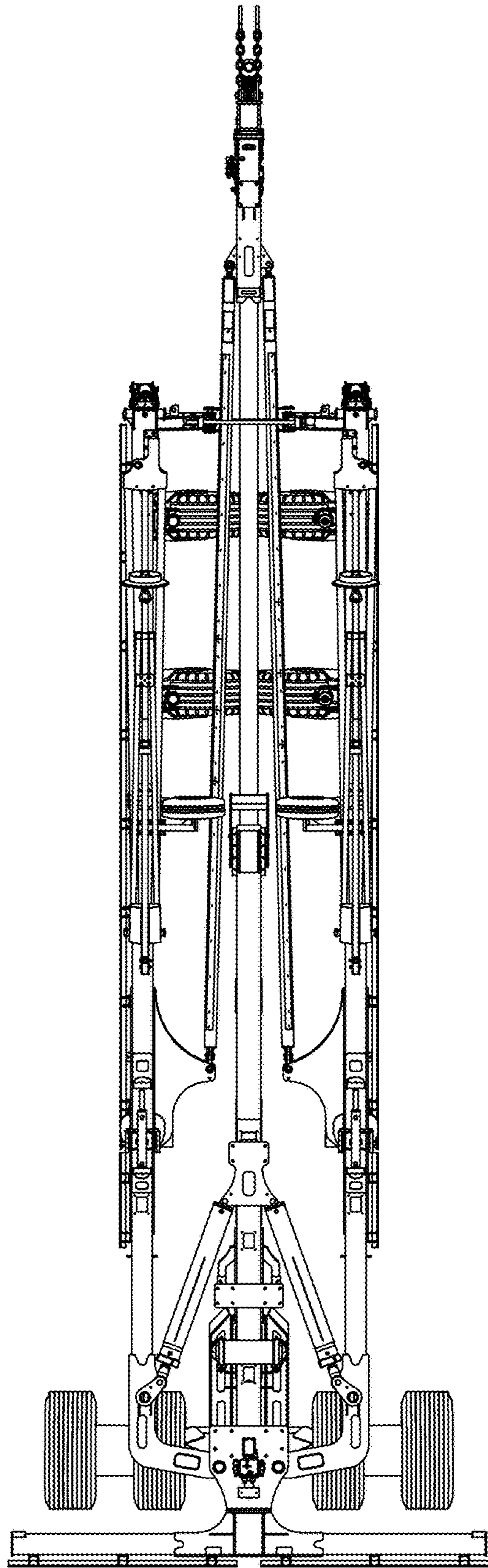


FIG. 8

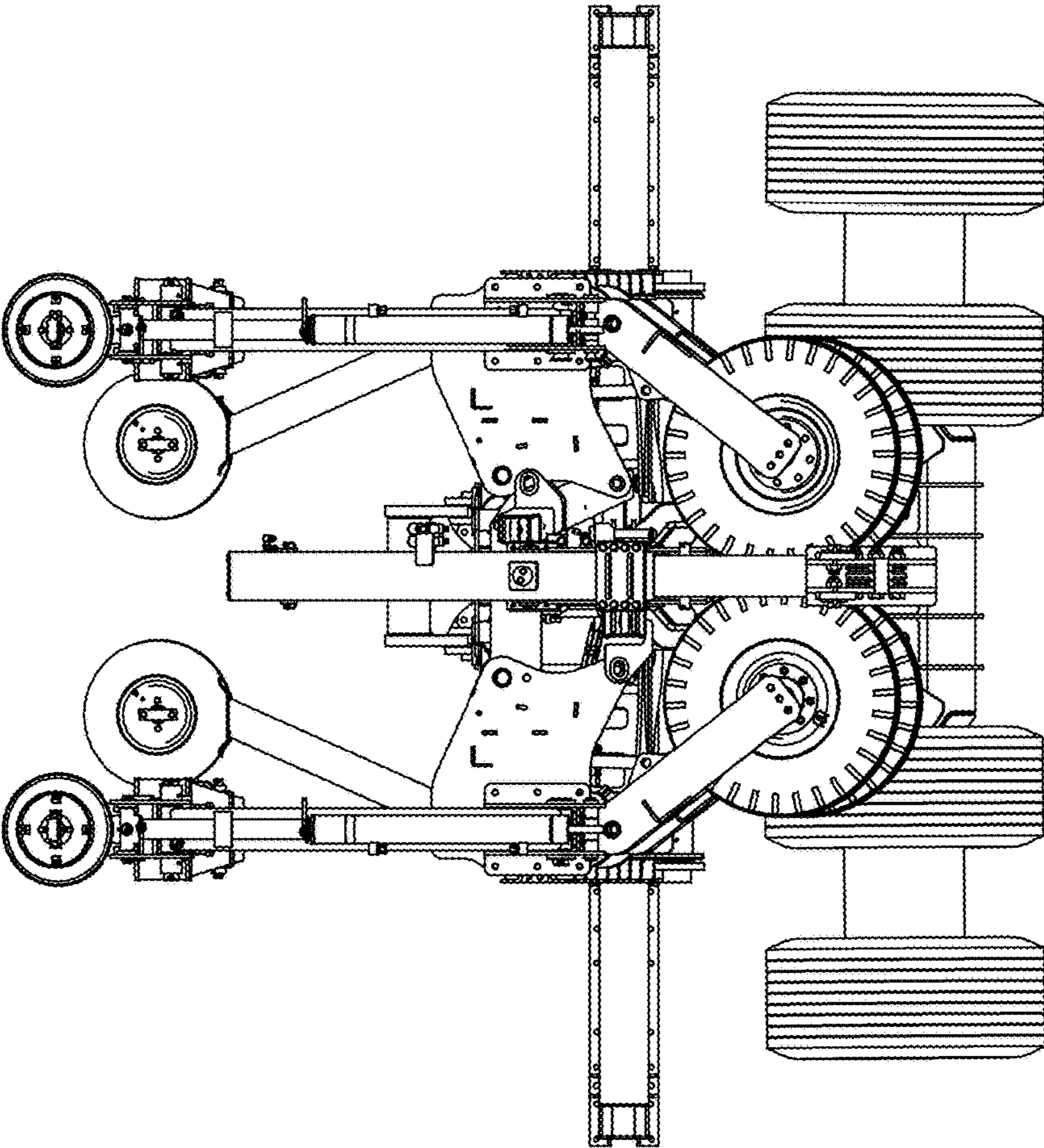


FIG. 9

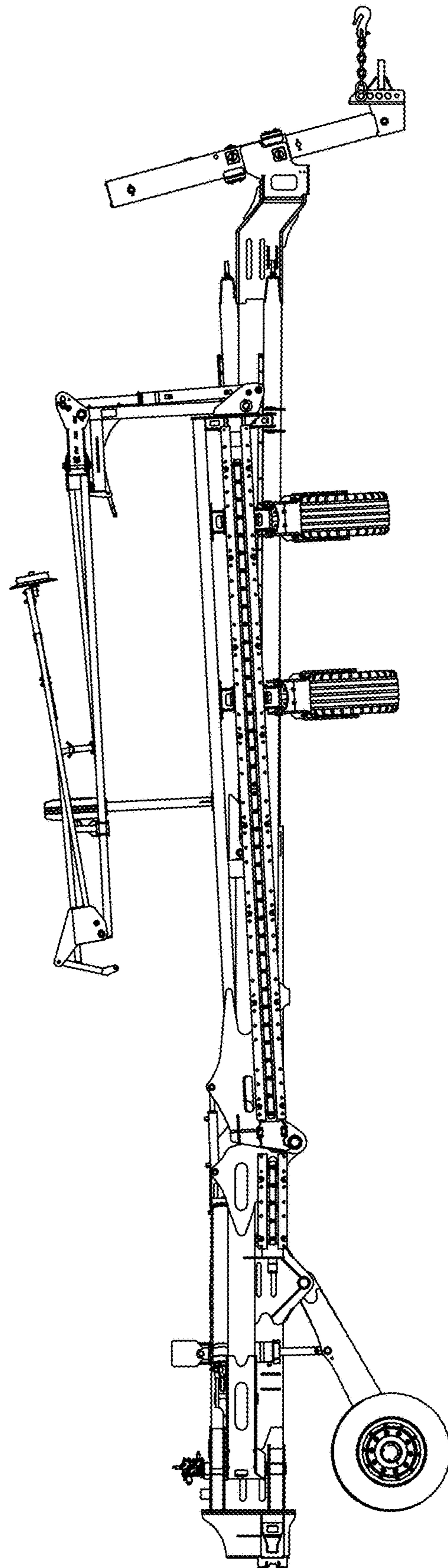


FIG. 10