



US00D835160S

(12) **United States Design Patent** (10) **Patent No.:** **US D835,160 S**  
**Jilbert et al.** (45) **Date of Patent:** **\*\* Dec. 4, 2018**

(54) **EXCAVATOR CAB**  
(71) Applicant: **J.C. BAMFORD EXCAVATORS LIMITED**, Utttoxeter (GB)  
(72) Inventors: **Samuel John Jilbert**, Utttoxeter (GB); **Thomas Edward Underhill**, Rocester (GB); **Samuel Payne**, Utttoxeter (GB)  
(73) Assignee: **J.C. BAMFORD EXCAVATORS LIMITED**, Utttoxeter (GB)  
(\*\*) Term: **15 Years**

|              |         |          |       |        |
|--------------|---------|----------|-------|--------|
| D594,036 S * | 6/2009  | Iwakata  | ..... | D15/30 |
| D605,207 S * | 12/2009 | Menges   | ..... | D15/30 |
| D637,630 S * | 5/2011  | Yamamoto | ..... | D15/30 |
| D642,205 S * | 7/2011  | Yamamoto | ..... | D15/30 |
| D674,411 S * | 1/2013  | Masumoto | ..... | D15/30 |
| D678,360 S * | 3/2013  | Kozai    | ..... | D15/30 |
| D702,264 S * | 4/2014  | Huissoon | ..... | D15/30 |
| D705,276 S * | 5/2014  | Furuki   | ..... | D15/30 |
| D707,728 S * | 6/2014  | Imashige | ..... | D15/30 |
| D742,940 S * | 11/2015 | Kushita  | ..... | D15/30 |
| D748,156 S * | 1/2016  | Koponen  | ..... | D15/30 |
| D749,149 S * | 2/2016  | McAdam   | ..... | D15/30 |
| D749,649 S * | 2/2016  | McAdam   | ..... | D15/30 |
| D751,123 S * | 3/2016  | Kazakoff | ..... | D15/30 |
| D754,213 S * | 4/2016  | Okuyama  | ..... | D15/30 |

\* cited by examiner

(21) Appl. No.: **29/541,926**  
(22) Filed: **Oct. 9, 2015**  
(51) **LOC (11) Cl.** ..... **15-03**  
(52) **U.S. Cl.**  
USPC ..... **D15/25**  
(58) **Field of Classification Search**  
USPC ..... D15/10, 11, 12, 23, 25, 28, 30, 32, 33, D15/199  
CPC ..... E02F 9/2004; E02F 9/207; E02F 9/2091; E02F 9/2246; E02F 9/2292; E02F 3/32; E02F 3/325; E02F 3/352; E02F 3/384; E02F 3/425; E02F 3/437; E02F 3/627; E02F 3/964; E02F 9/006; E02F 9/0808; E02F 9/0833; E02F 9/0858; E02F 9/0875; E02F 9/2045  
See application file for complete search history.

*Primary Examiner* — Ian Simmons  
*Assistant Examiner* — Khawaja Anwar  
(74) *Attorney, Agent, or Firm* — Marshall, Gerstein & Borun LLP

(57) **CLAIM**

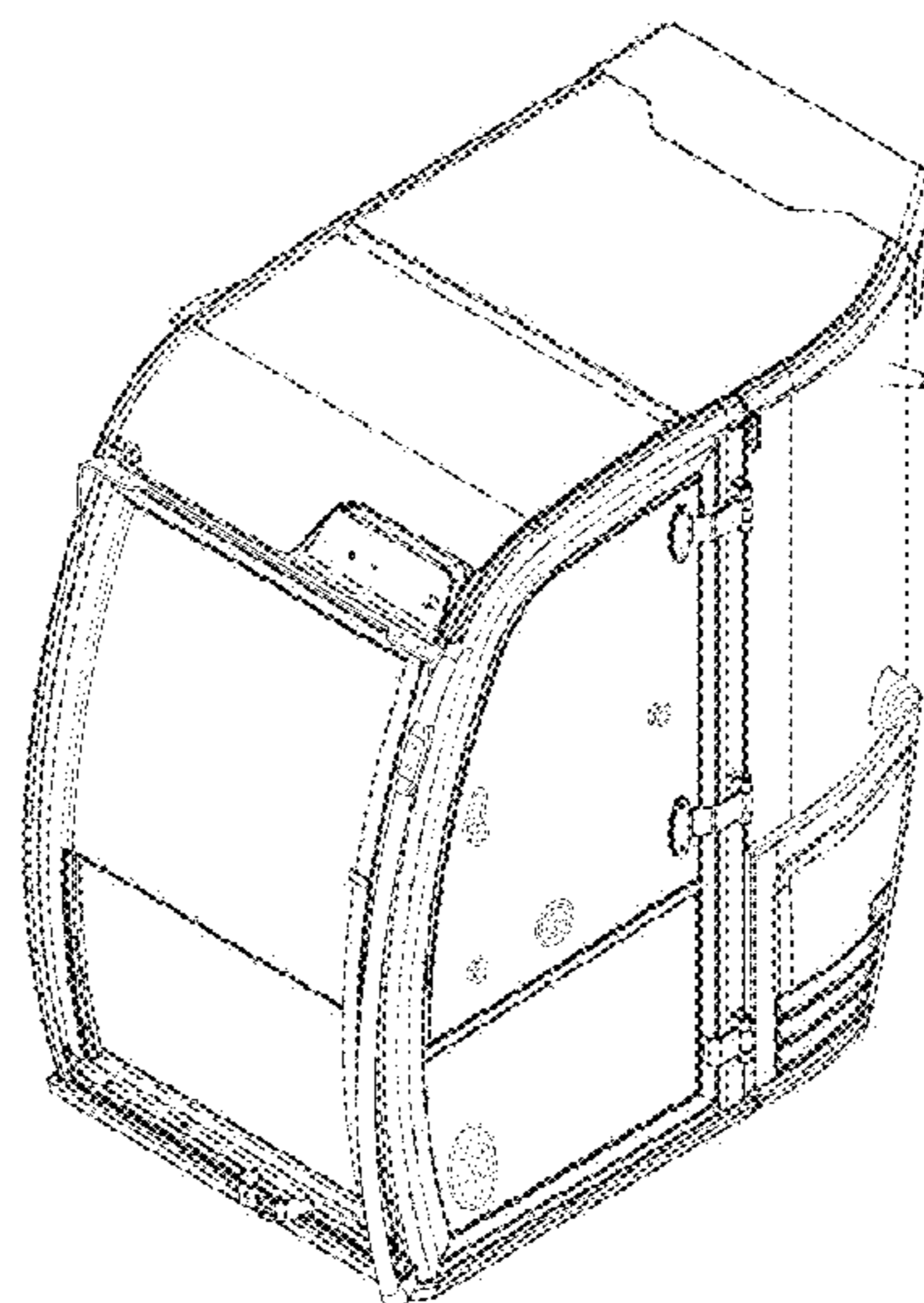
The ornamental design for an excavator cab, as shown and described.

**DESCRIPTION**

FIG. 1 is a front, right-side, and top view of an excavator cab showing one embodiment of the new design.  
FIG. 2 is a front elevation view of the excavator cab.  
FIG. 3 is a right-side elevation view.  
FIG. 4 is a left-side elevation view.  
FIG. 5 is a rear elevation view.  
FIG. 6 is a top plan view.  
FIG. 7 is a rear, left-side, and top view.  
FIG. 8 is a rear, right-side, and top view; and,  
FIG. 9 is a front, left-side, and top view.  
The broken lines shown throughout the drawings represent unclaimed portions of the excavator cab and form no part of the claimed design.

(56) **References Cited**  
U.S. PATENT DOCUMENTS  
D258,823 S \* 4/1981 Skyer ..... D15/30  
D297,329 S \* 8/1988 Monehaie ..... D15/30  
D312,827 S \* 12/1990 Boddin ..... D15/30  
D505,432 S \* 5/2005 Antonetti ..... D15/30  
D531,647 S \* 11/2006 Stender ..... D15/30  
D577,040 S \* 9/2008 Kim ..... D15/30

**1 Claim, 9 Drawing Sheets**



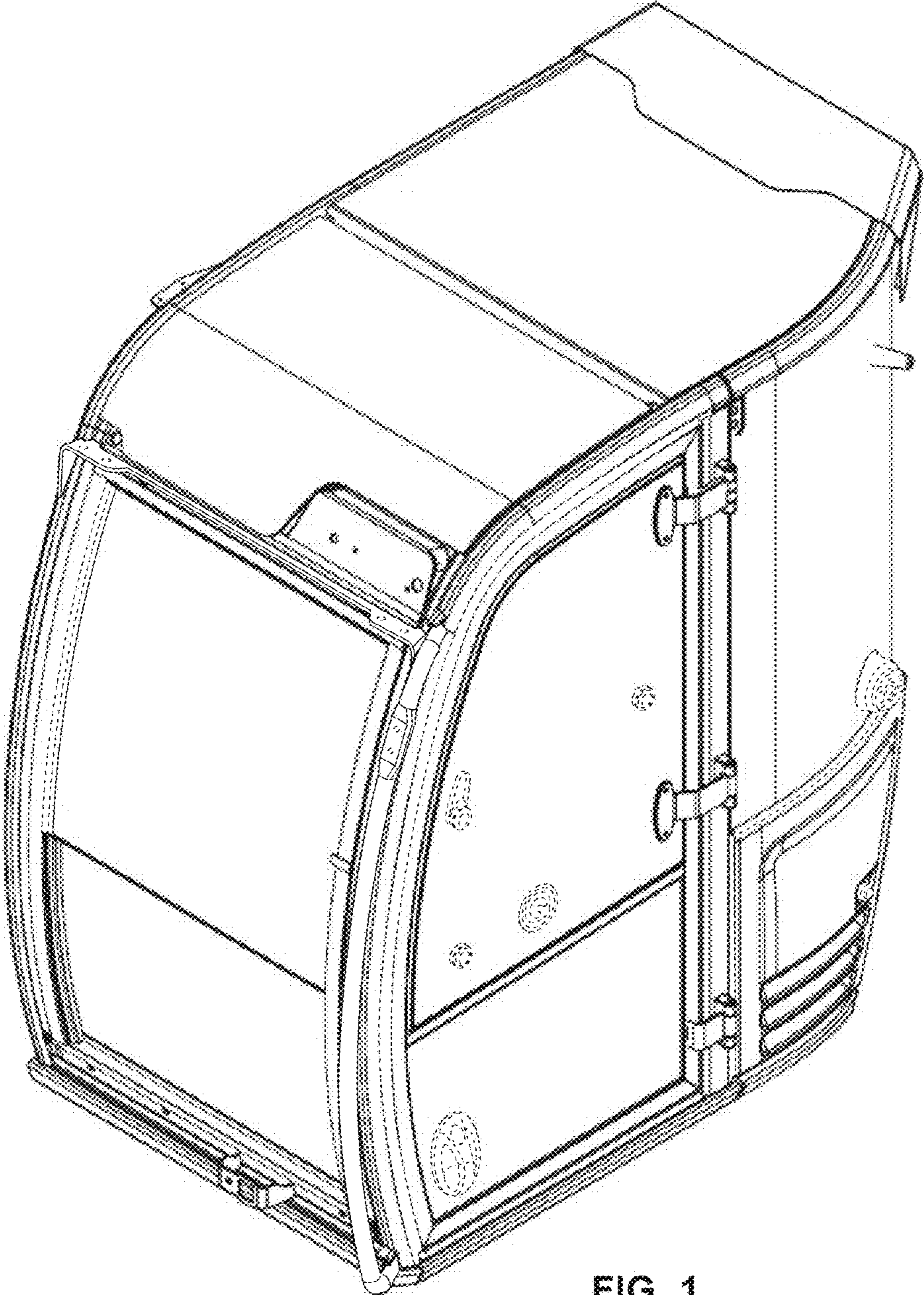


FIG. 1

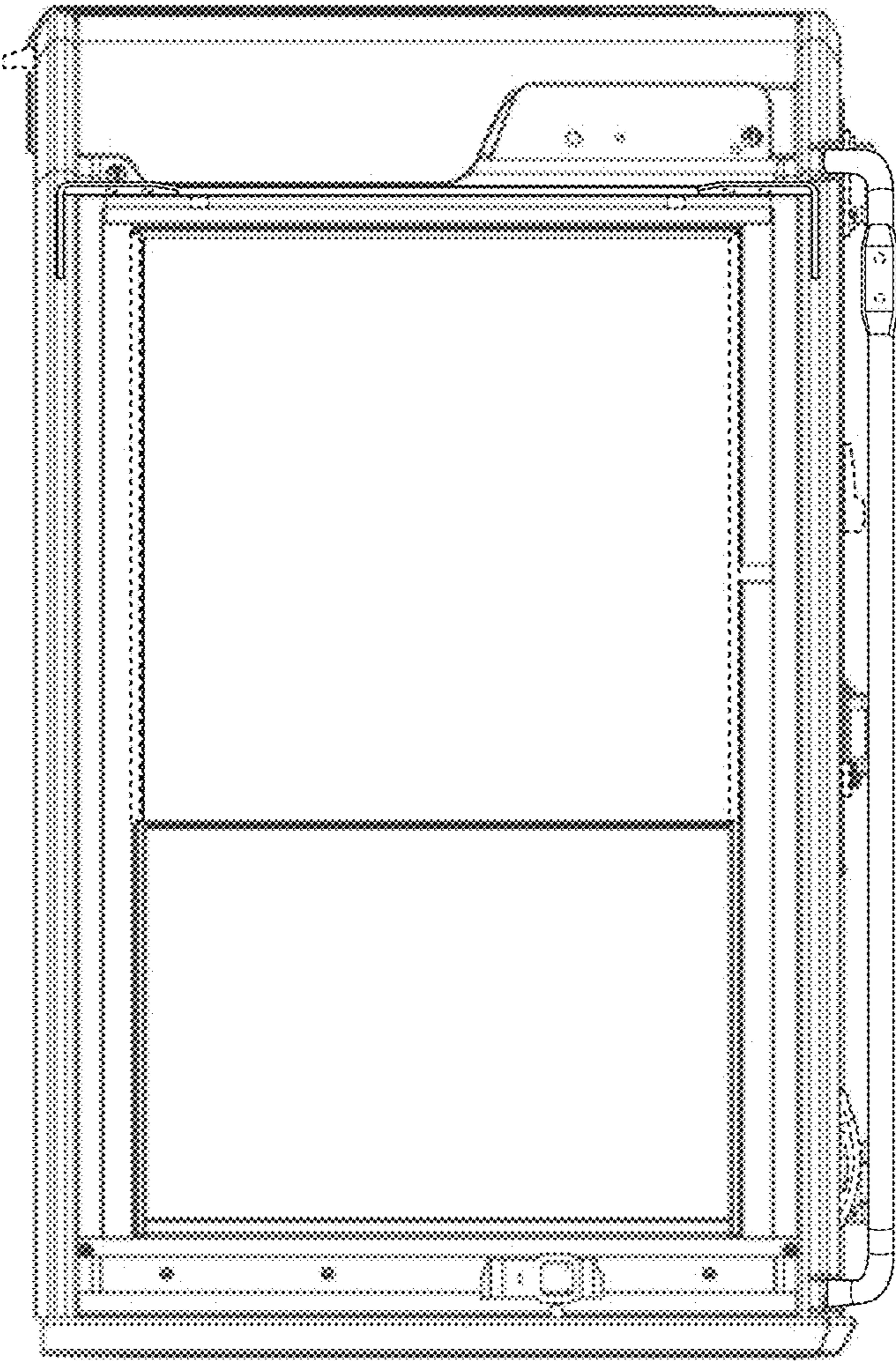


FIG. 2

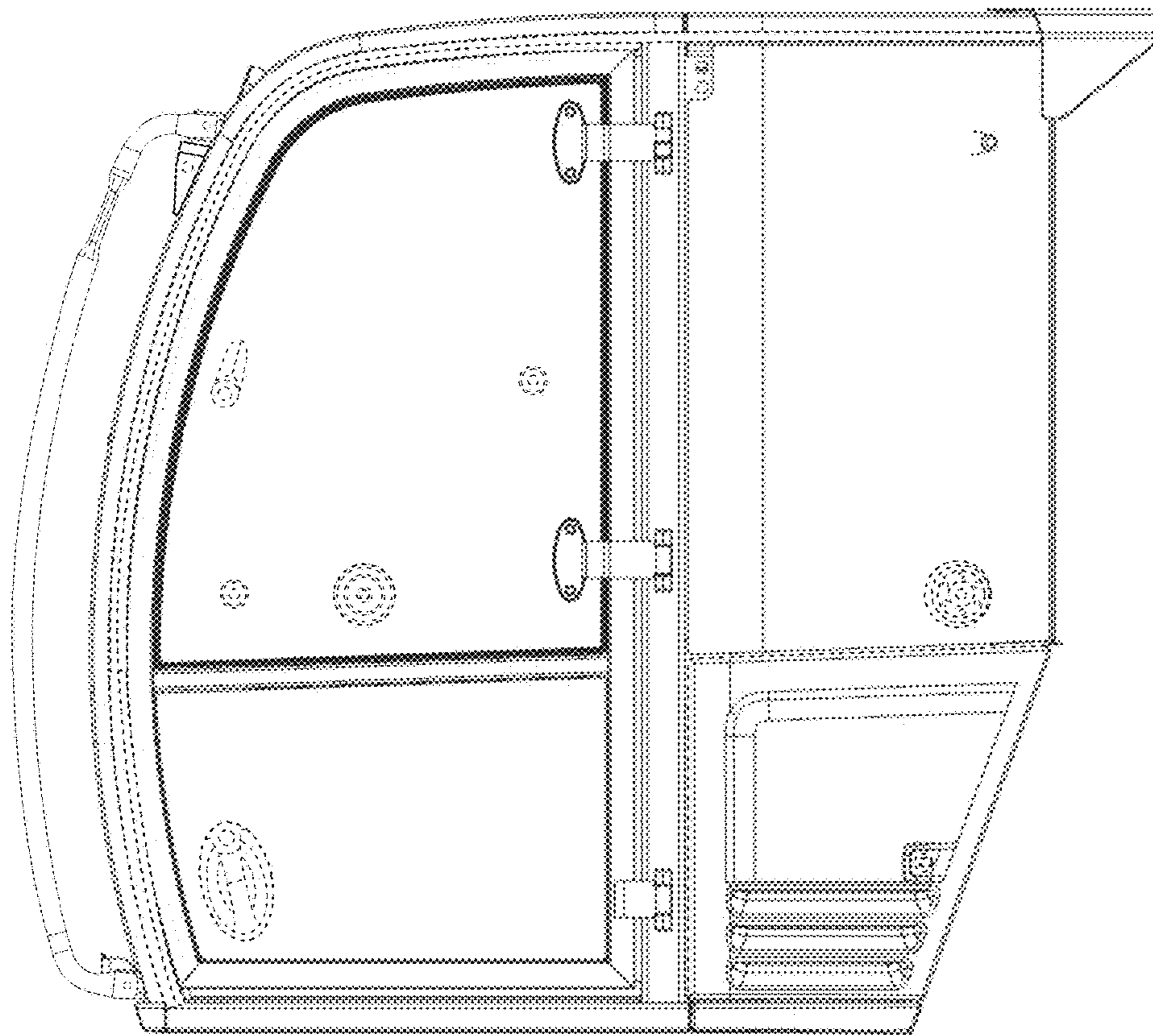


FIG. 3

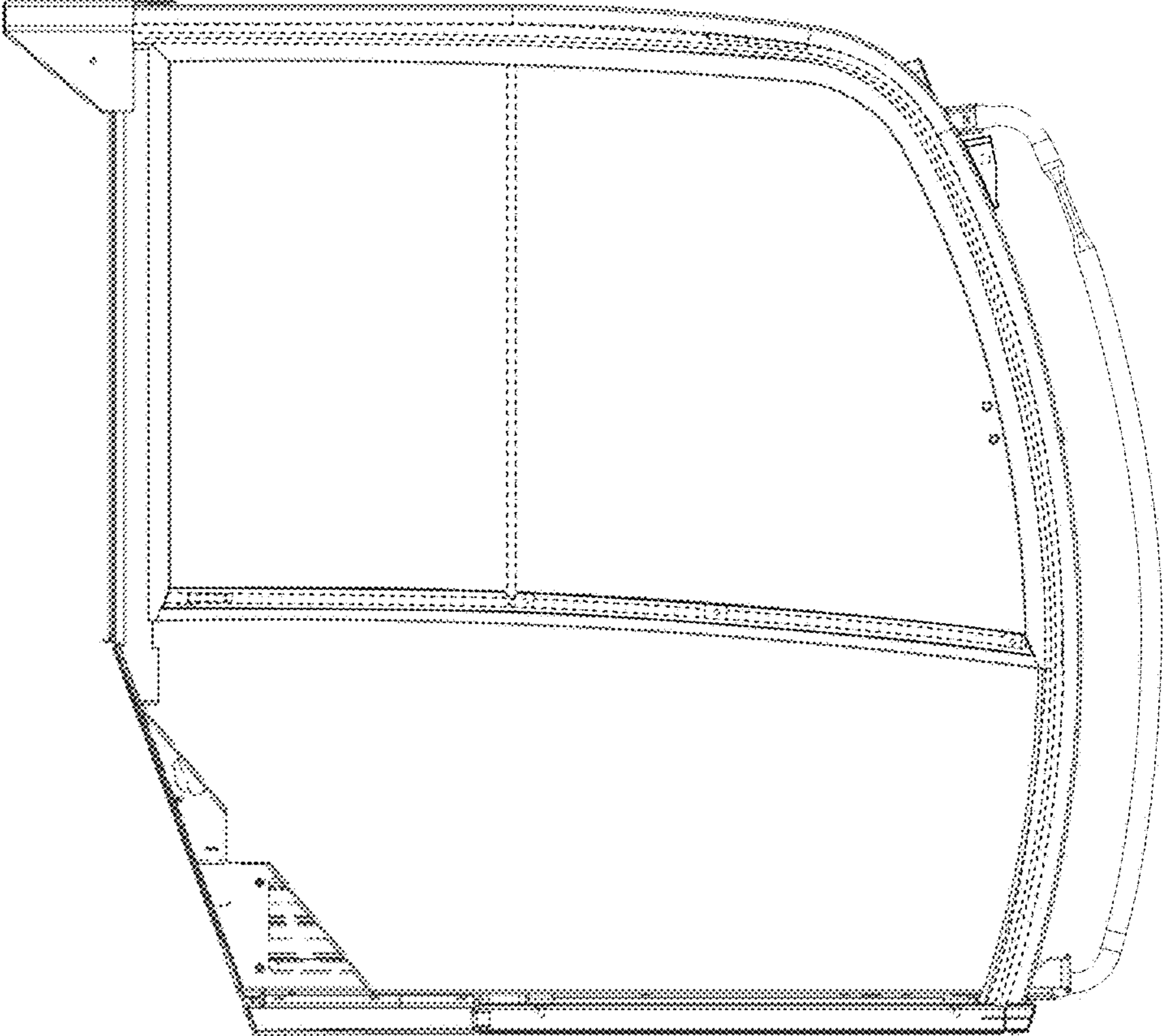


FIG. 4

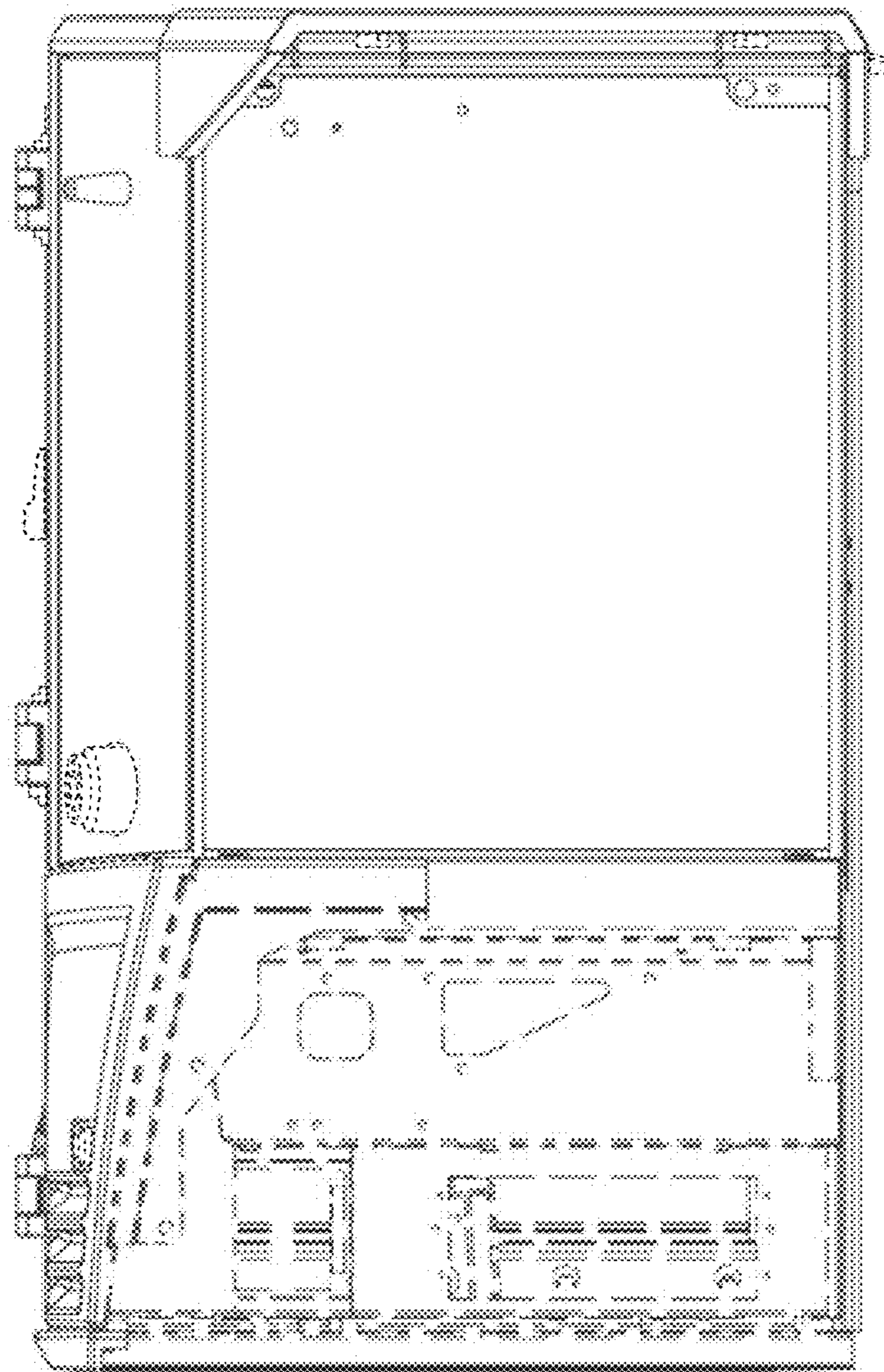


FIG. 5

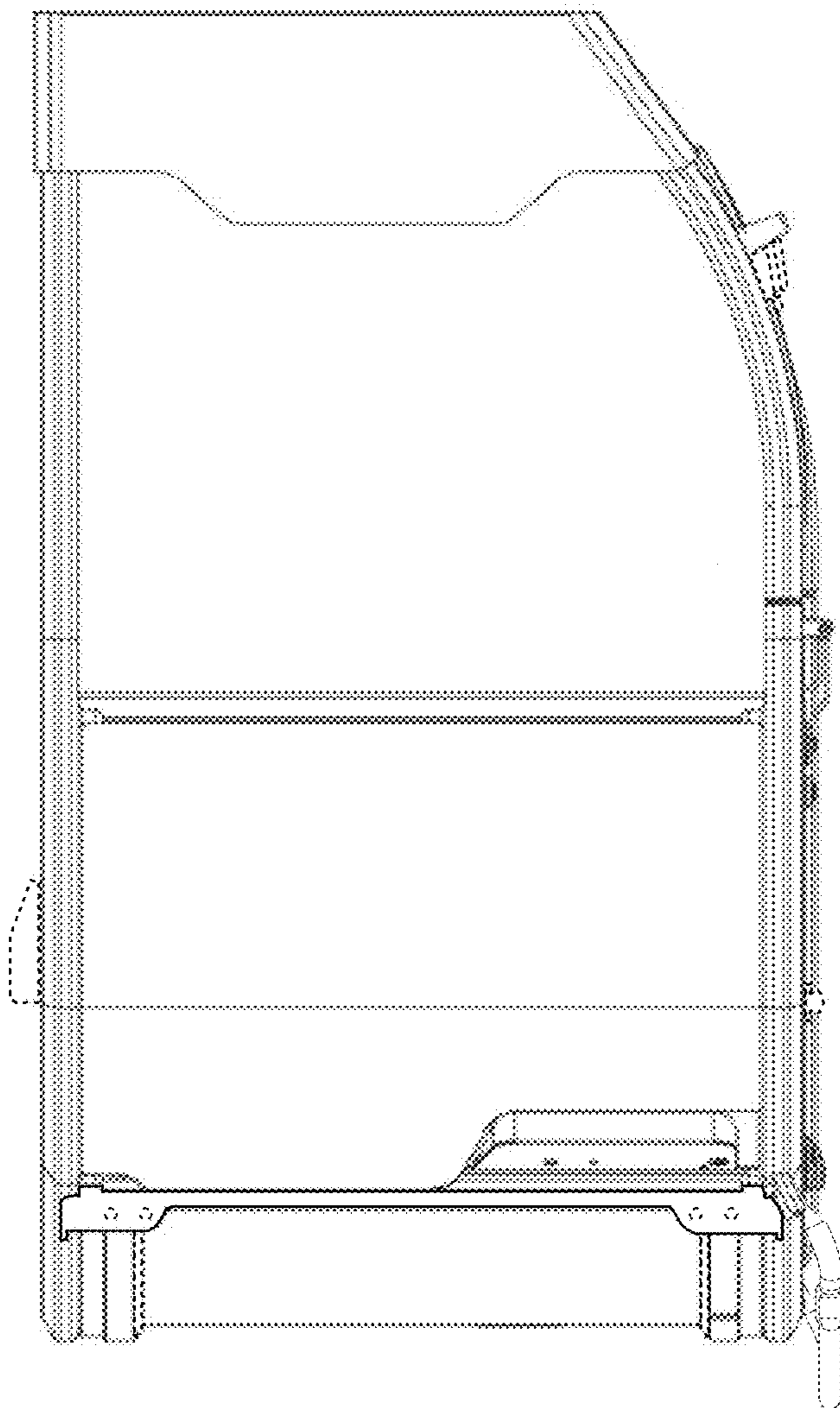


FIG. 6

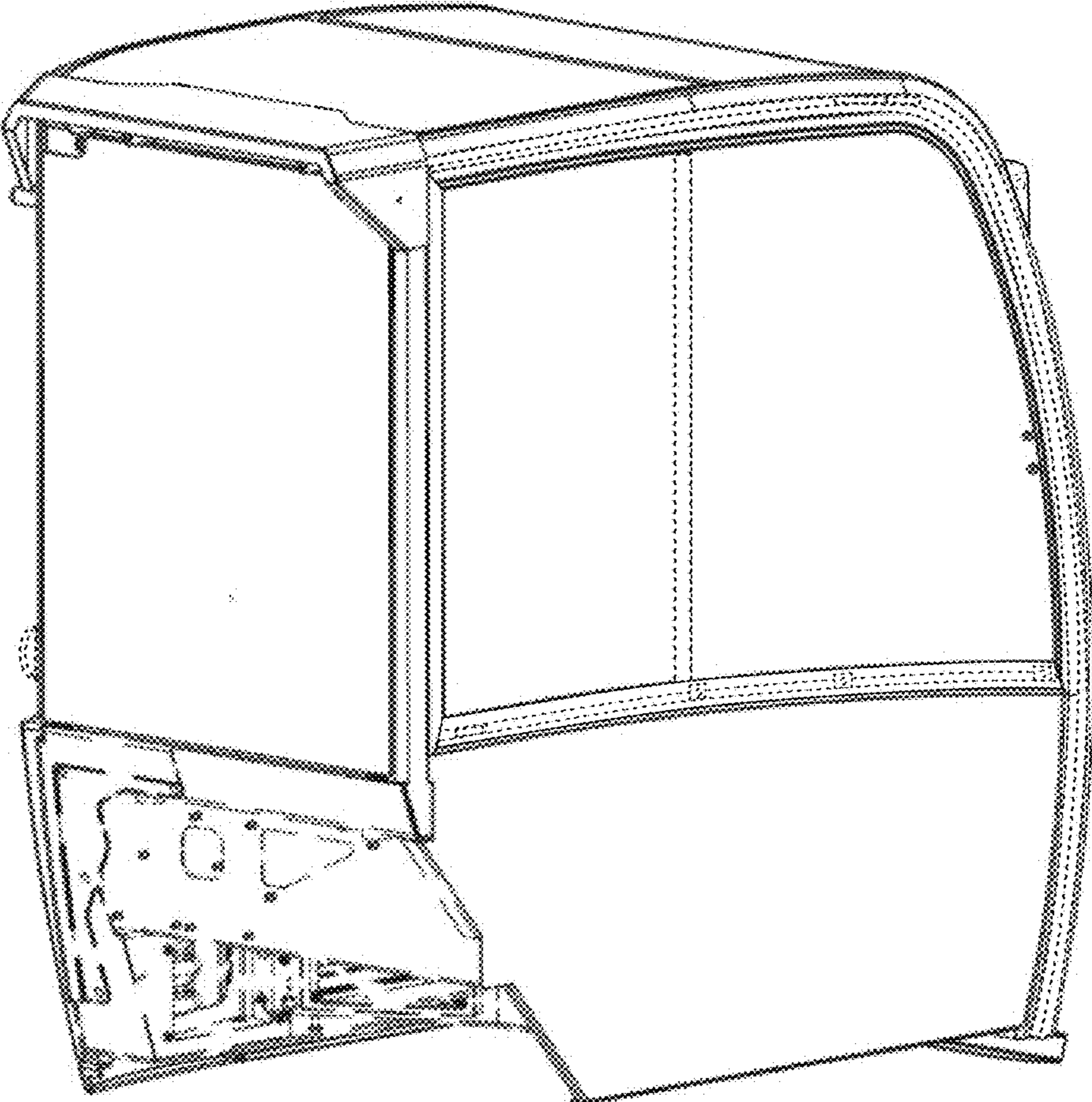


FIG. 7



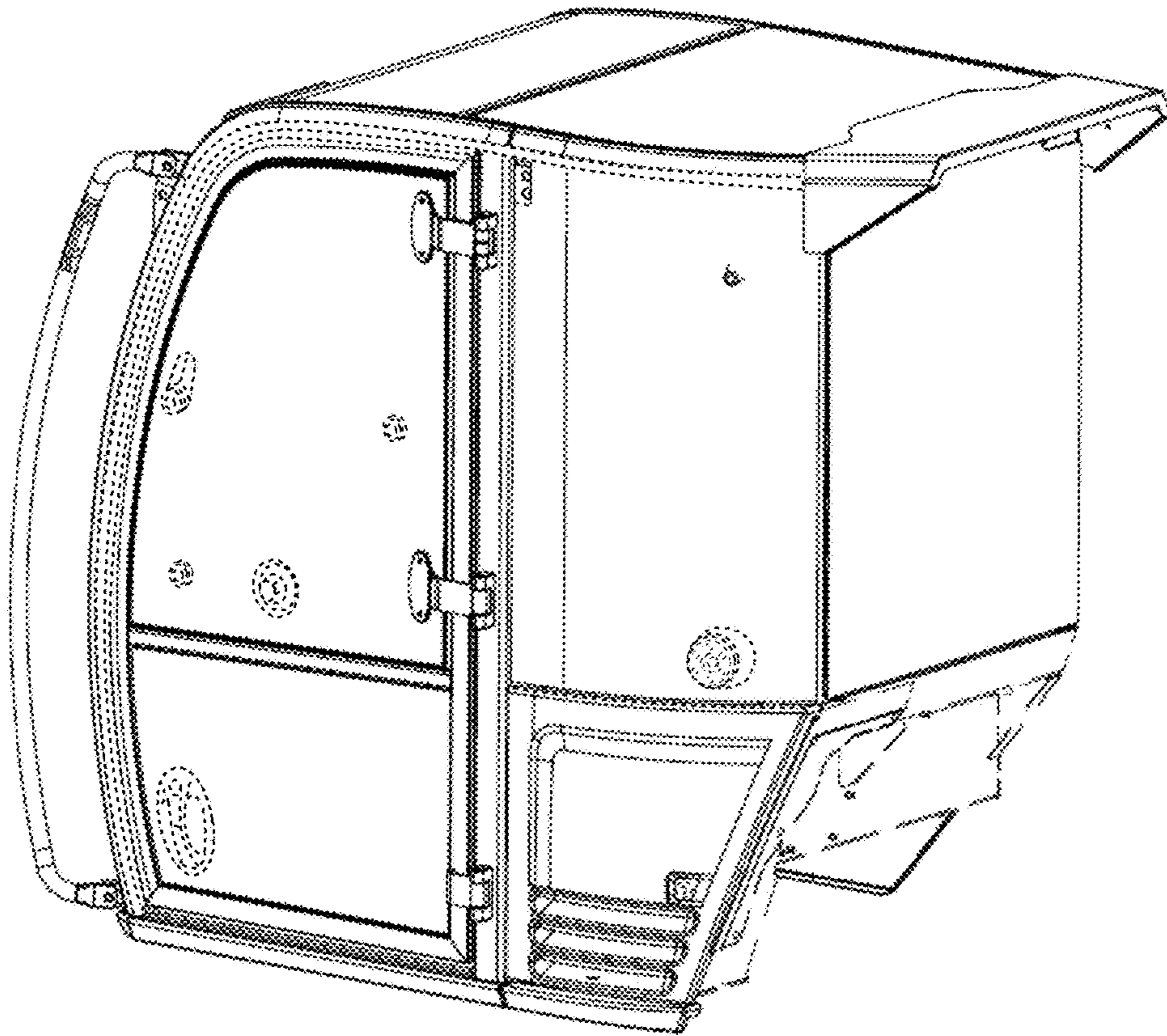


FIG. 8

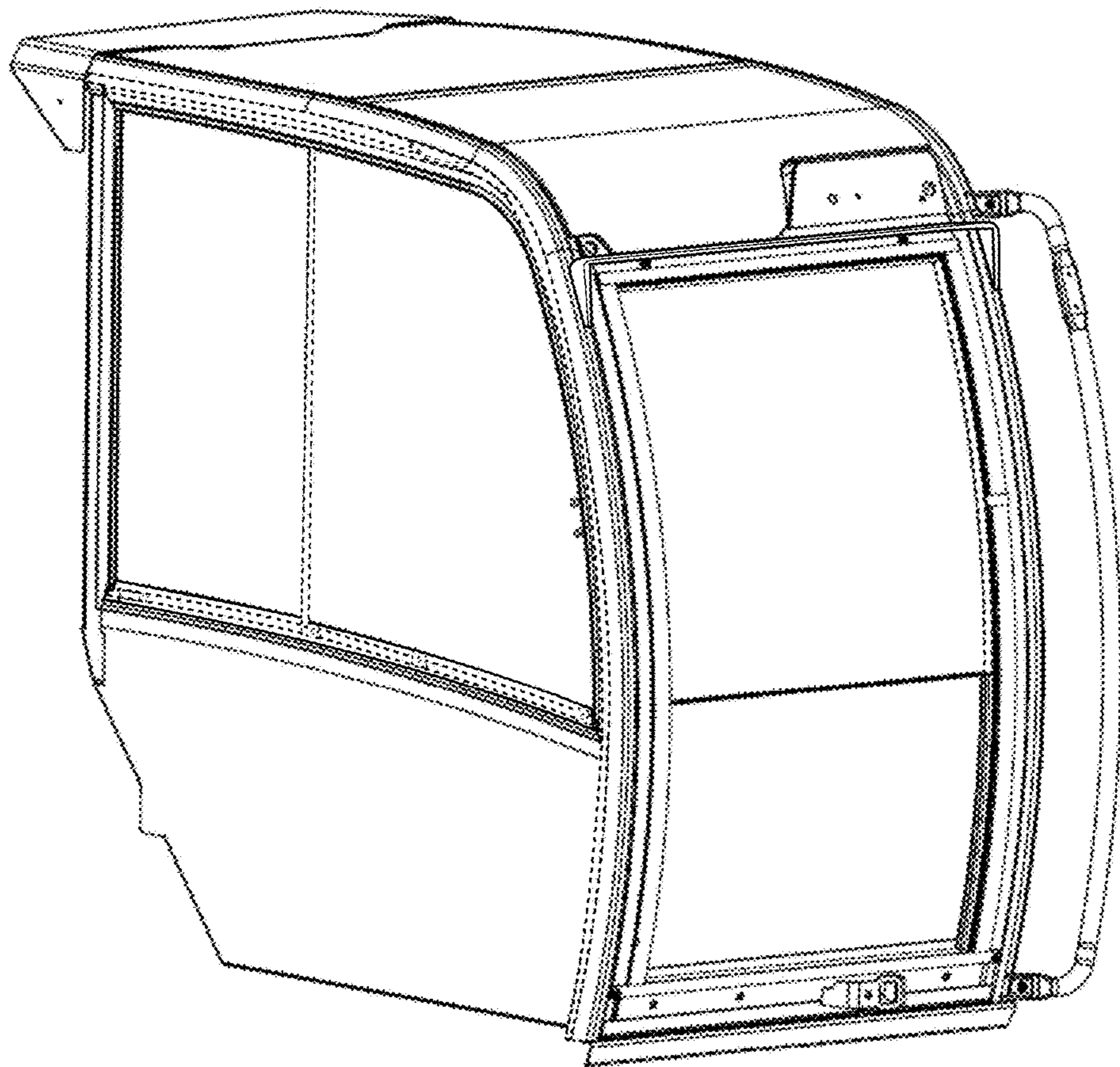


FIG. 9