



US00D835159S

(12) **United States Design Patent** (10) **Patent No.:** **US D835,159 S**
Cooper (45) **Date of Patent:** **** Dec. 4, 2018**

(54) **SHOP BLOWER**

(71) Applicant: **Wilmar Corporation**, Renton, WA
(US)

(72) Inventor: **David James Cooper**, Renton, WA
(US)

(73) Assignee: **Wilmar Corporation**, Renton, WA
(US)

(**) Term: **15 Years**

(21) Appl. No.: **29/592,524**

(22) Filed: **Jan. 31, 2017**

(51) **LOC (11) Cl.** **15-03**

(52) **U.S. Cl.**
USPC **D15/12**

(58) **Field of Classification Search**
USPC D15/11, 12; D12/2, 231, 340-343;
D14/230; D32/15, 16, 17, 18, 21, 25, 1,
D32/5
CPC A47L 5/24; A47L 5/28; A47L 7/0038
See application file for complete search history.

(56) **References Cited**

U.S. PATENT DOCUMENTS

D361,414 S *	8/1995	Trautloff	D32/15
D363,149 S *	10/1995	Franke	D15/17
D431,697 S *	10/2000	Hayakawa	D32/15
D558,939 S *	1/2008	Yuasa	D32/15
D584,461 S *	1/2009	Sweeney	D32/15
D594,961 S *	6/2009	Tinius	D23/383
D638,035 S *	5/2011	Kosugi	D15/5
D698,106 S *	1/2014	Crawley	D32/15
D711,057 S *	8/2014	Crawley	D15/12
D742,603 S *	11/2015	Tschopp	D15/12
D746,004 S *	12/2015	Murray	D15/12
D748,876 S *	2/2016	Carl	D15/12

D748,877 S *	2/2016	Tirone	D15/12
D798,513 S *	9/2017	Tinius	D32/15
D809,227 S *	1/2018	Tinius	D32/15

OTHER PUBLICATIONS

New Milwaukee M18 Cordless Air Blower. Retrieved from ToolGuyD website on Feb. 22, 2017 at <http://toolguyd.com/milwaukee-m18-cordless-air-blower/>.

Black+Decker LSW20 20V Max Lithium Ion Sweeper. Retrieved from Amazon website on Feb. 22, 2017 at https://www.amazon.com/BLACK-DECKER-LSW20-Lithium-Sweeper/dp/B00602J2ZQ/ref=sr_1_8?s=lawn-garden&ie=UTF8&qid=1485904934&sr=1-8&keywords=blower.

Pro-Series Electric Mighty Pro Blower. Retrieved from Amazon website on Feb. 22, 2017 at https://www.amazon.com/Pro-Series-Electric-Mighty-Pro-Blower/dp/B004GJQA5A/ref=sr_1_24?s=lawn-garden&ie=UTF8&qid=1485904934&sr=1-24&keywords=blower.

(Continued)

Primary Examiner — John Windmuller

Assistant Examiner — Benjamin M Weeks

(74) *Attorney, Agent, or Firm* — Baumgartner Patent Law; Marc Baumgartner

(57) **CLAIM**

The ornamental design for a shop blower, as shown and described.

DESCRIPTION

FIG. 1 is a top left-side perspective view of the shop blower; FIG. 2 is a top right-side perspective view of the shop blower of FIG. 1;

FIG. 3: is a left-side view of the shop blower of FIG. 1;

FIG. 4: is a right-side view of the shop blower of FIG. 1;

FIG. 5: is a top view of the shop blower of FIG. 1;

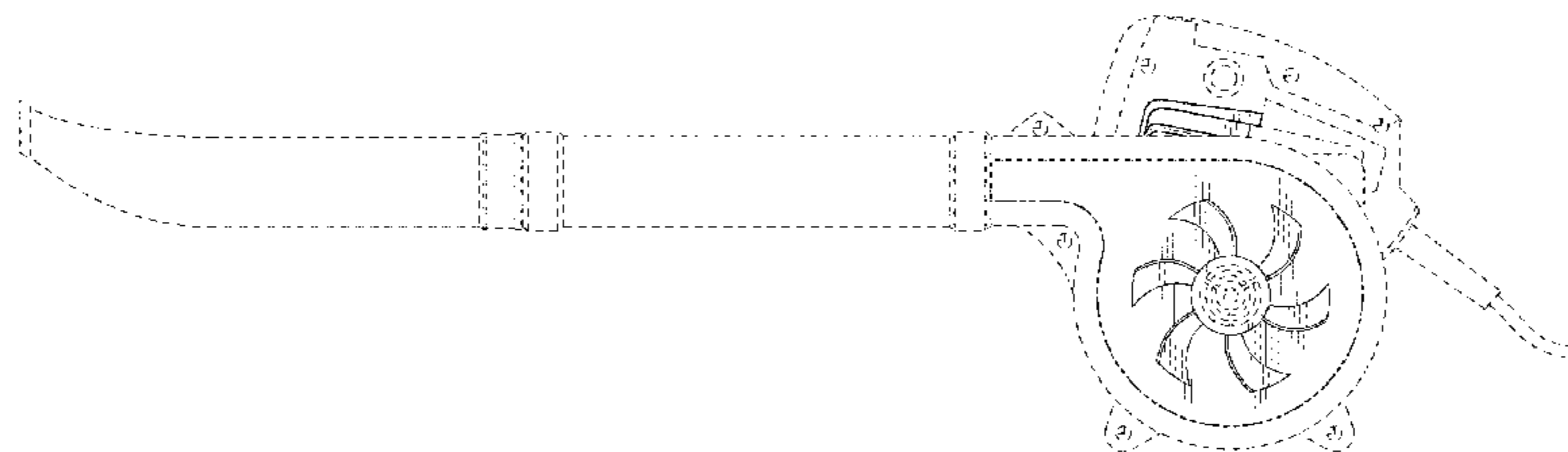
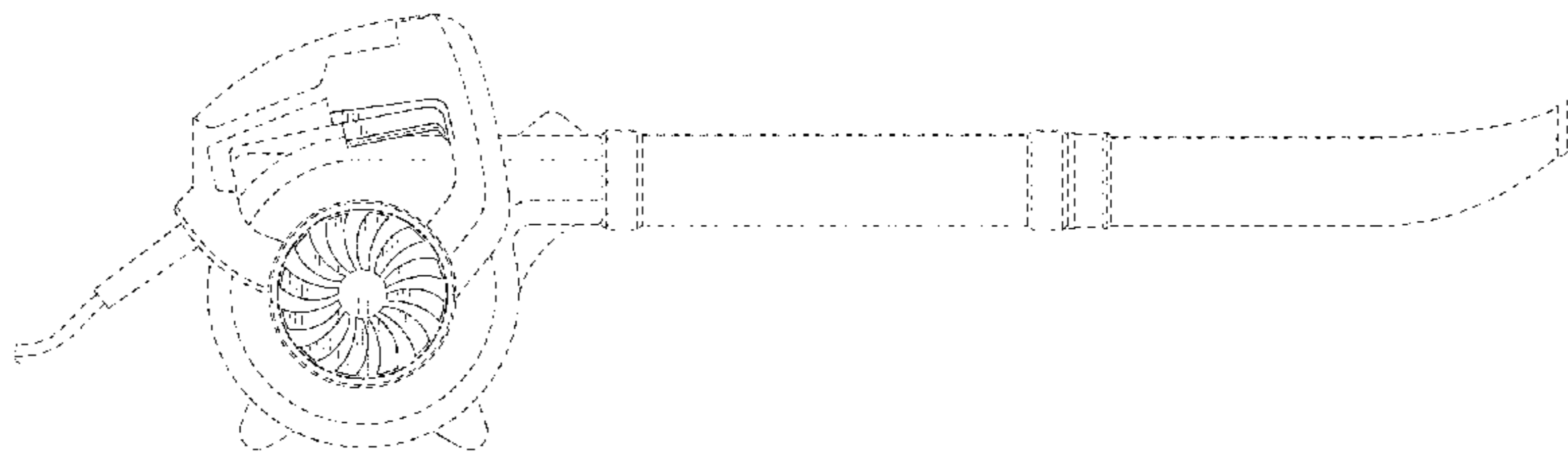
FIG. 6: is a bottom view of the shop blower of FIG. 1;

FIG. 7: is a front view of the shop blower of FIG. 1; and,

FIG. 8: is a rear view of the shop blower of FIG. 1.

The broken lines shown in the drawings illustrate unclaimed elements of the shop blower and form no part of the claimed design.

1 Claim, 5 Drawing Sheets



(56)

References Cited

OTHER PUBLICATIONS

Makita DUB182Z 18V LXT Lithium-Ion Cordless Blower (Bare Tool Only). Retrieved from Amazon website on Feb. 22, 2017 at https://www.amazon.com/Makita-DUB182Z-Lithium-Ion-Cordless-Blower/dp/B00NLXXQXQ/ref=sr_1_25?s=lawn-garden&ie=UTF8&qid=1485904934&sr=1-25&keywords=blower.

Dewalt DCE100B 20V Max Compact Jobsite Blower. Retrieved from Amazon website on Feb. 22, 2017 at https://www.amazon.com/DEWALT-DCE100B-Compact-Jobsite-Blower/dp/B016NZGL9O/ref=sr_1_1?ie=UTF8&qid=1485905036&sr=8-1&keywords=dewalt+cordless+blower.

Retrieved from Benjamin website on Feb. 22, 2017 at <http://www.benjaminrloyd.com/wp-content/uploads/2008/08/081908-leaf-blower.jpg>.

* cited by examiner

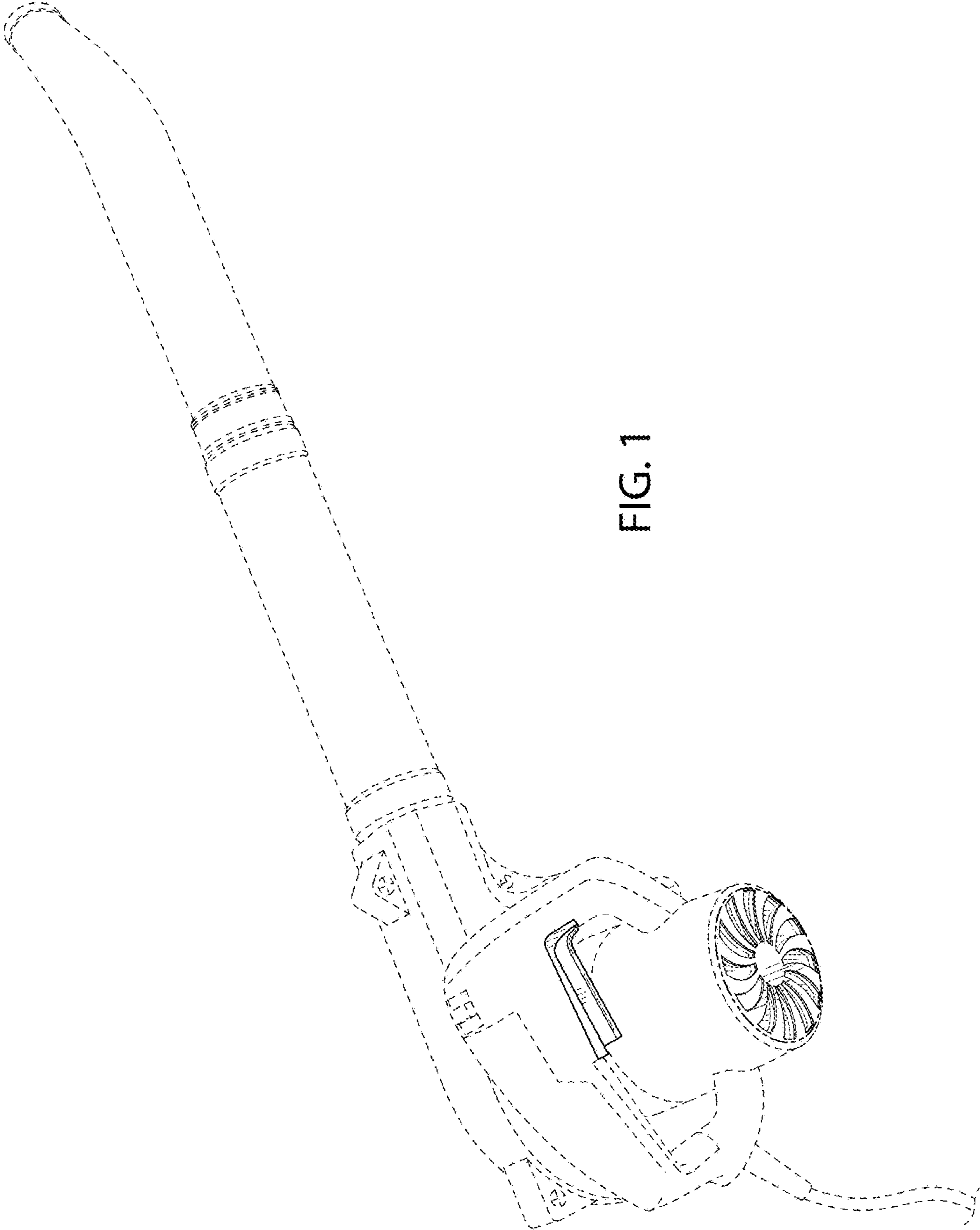


FIG. 1

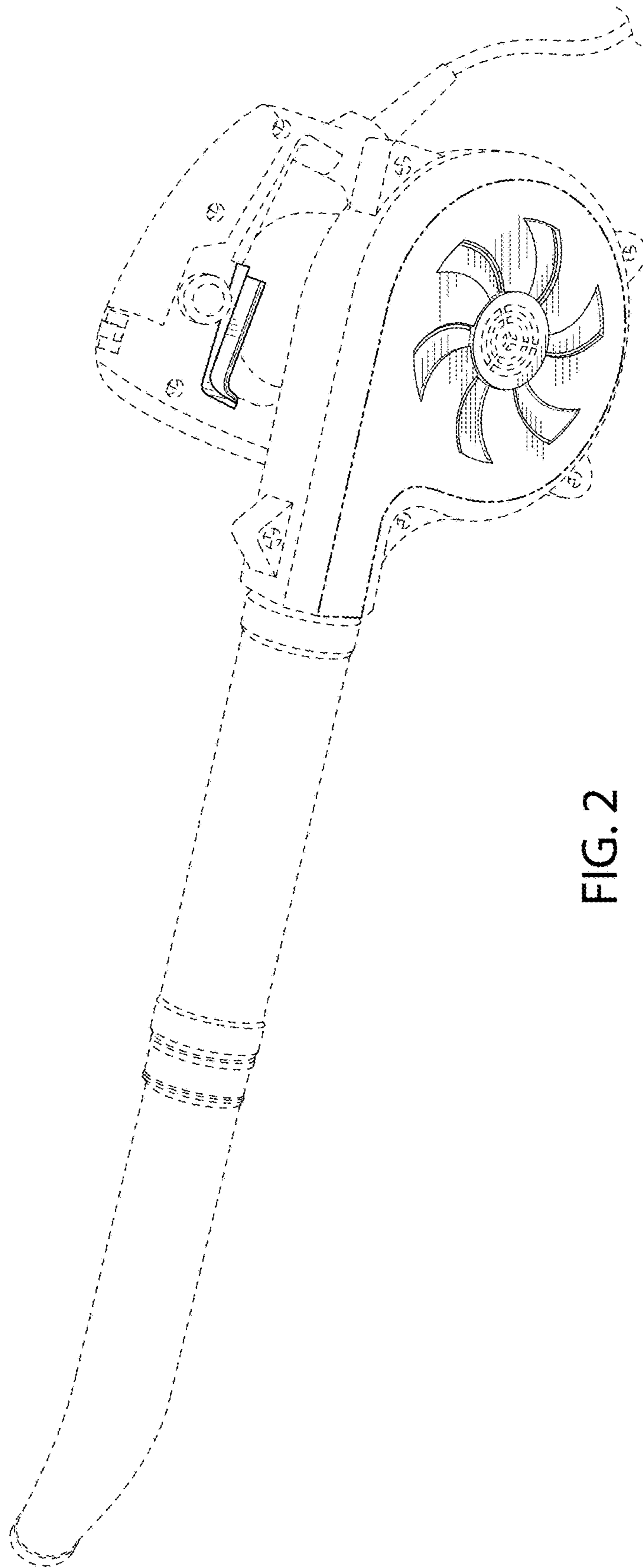


FIG. 2

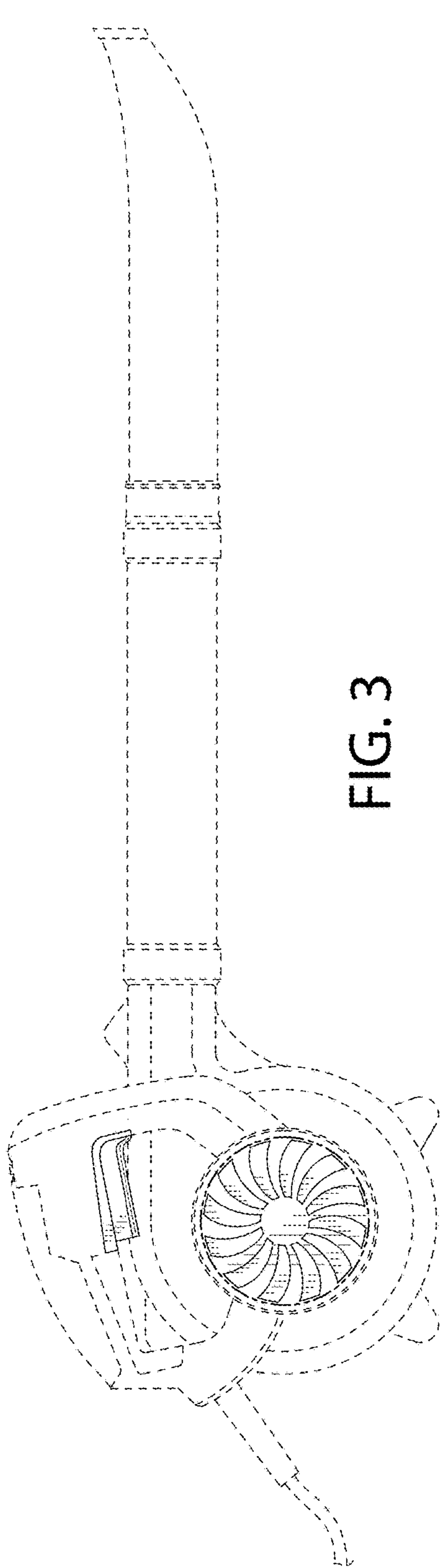


FIG. 3

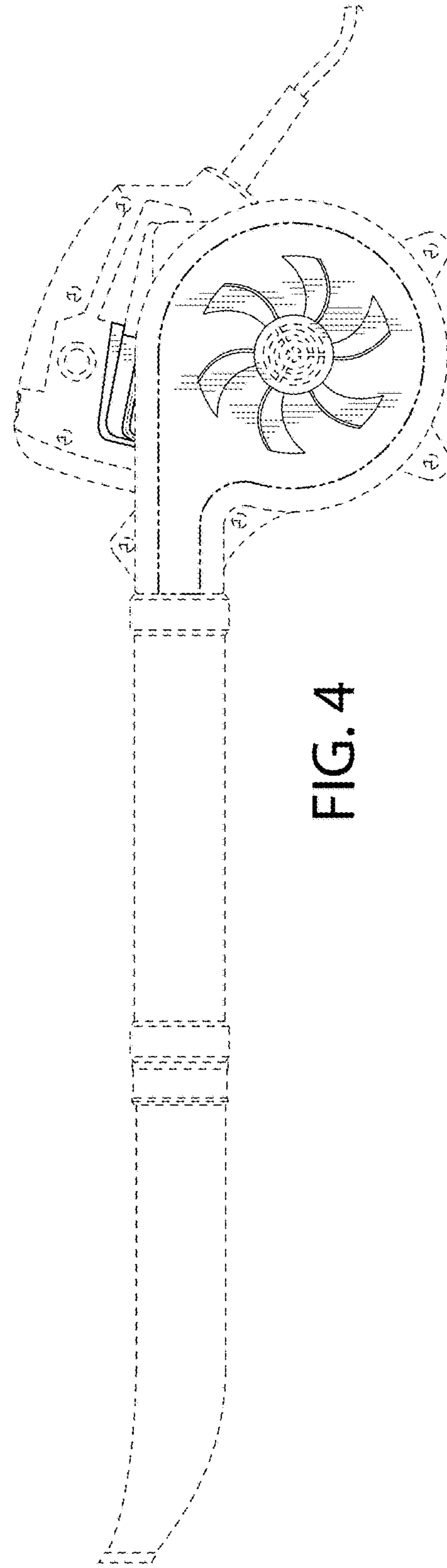
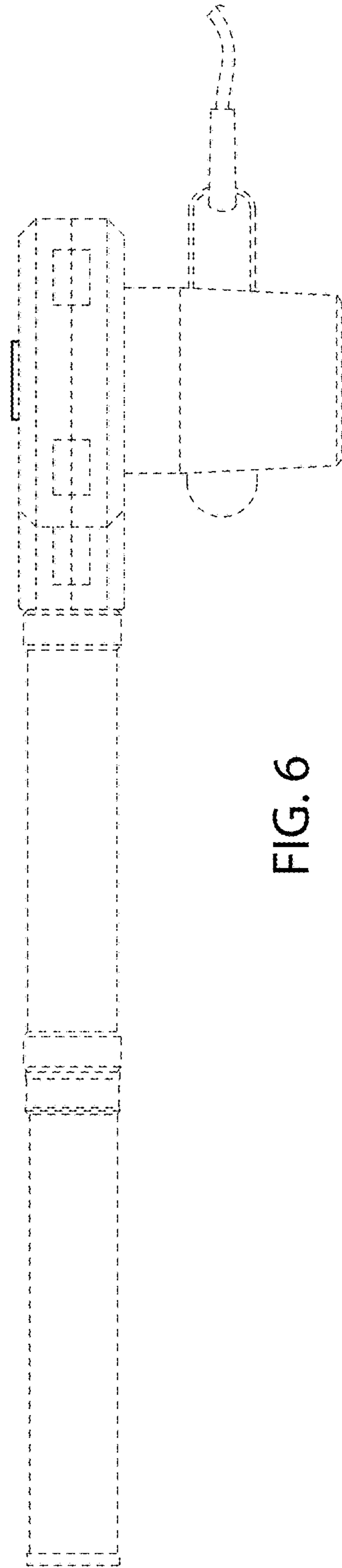
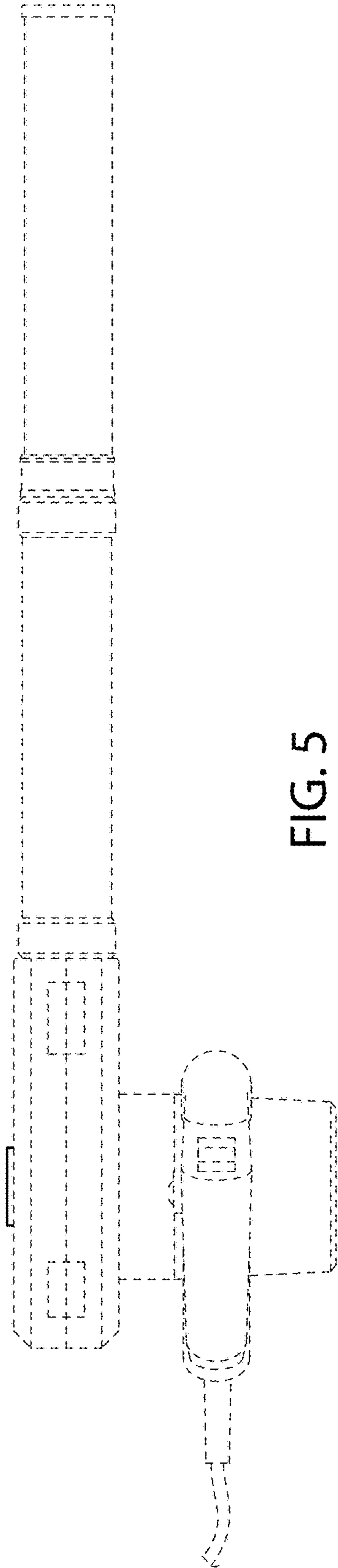


FIG. 4



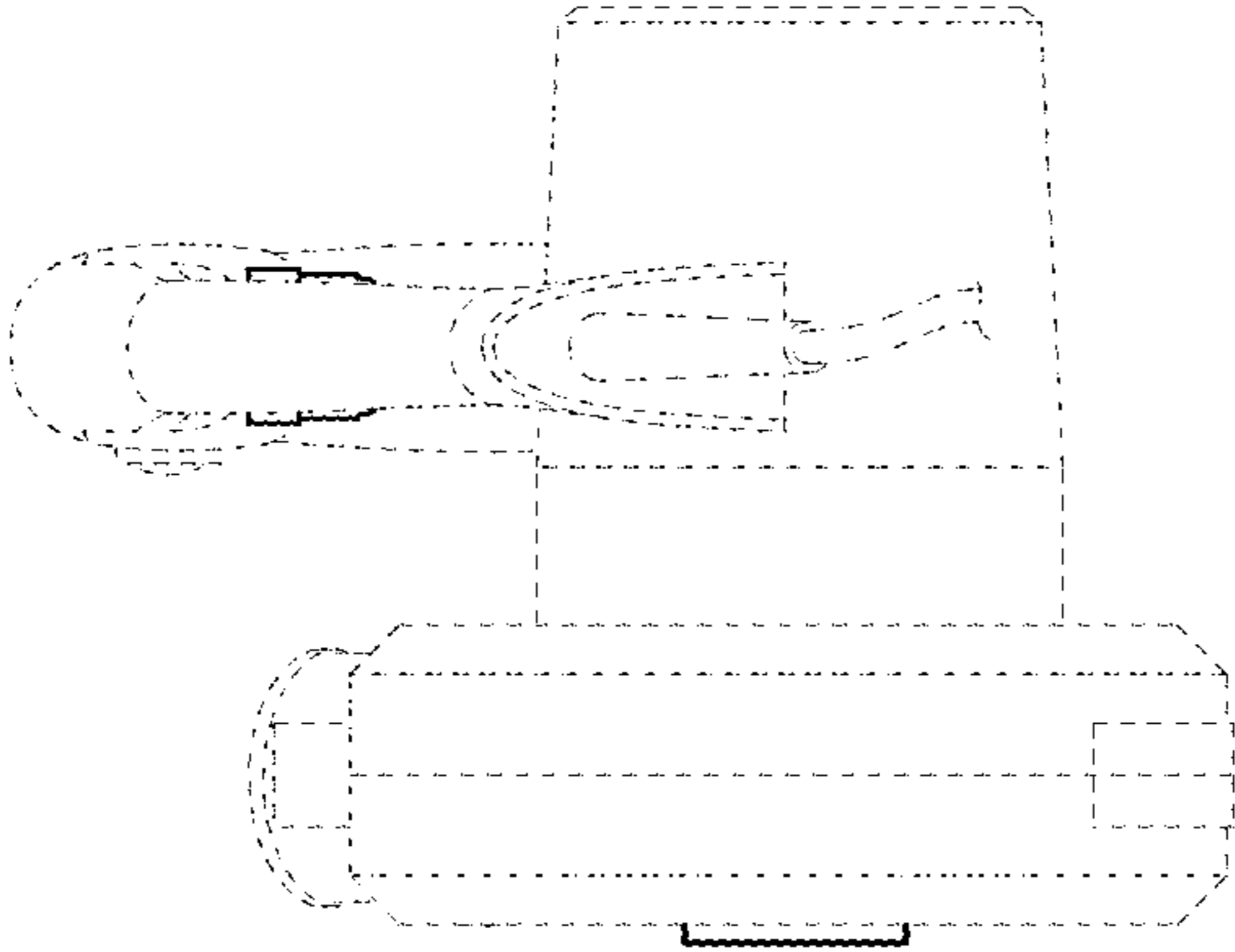


FIG. 7

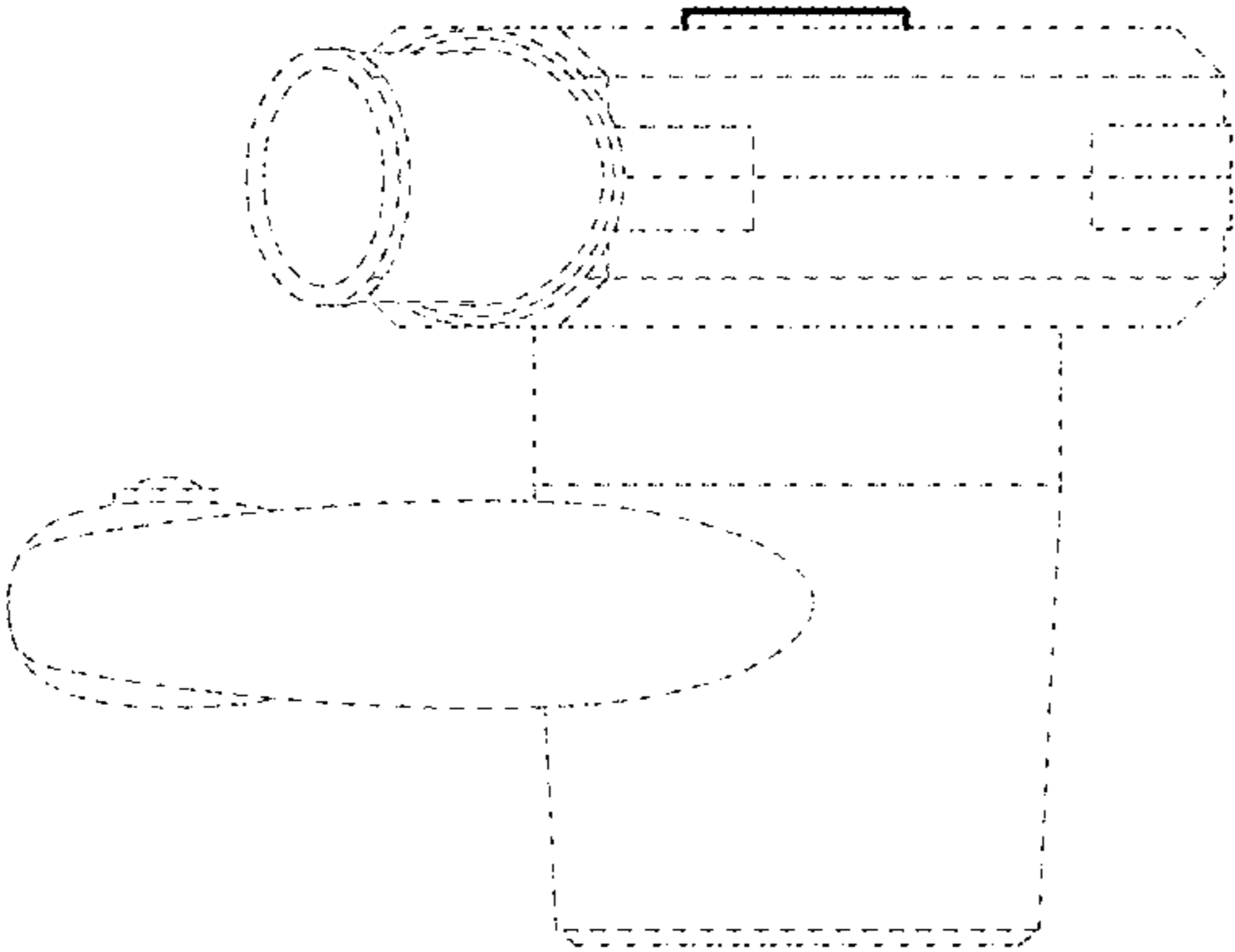


FIG. 8