



US00D835157S

(12) **United States Design Patent**
Hamburger et al.

(10) **Patent No.:** **US D835,157 S**

(45) **Date of Patent:** **** Dec. 4, 2018**

(54) **SUPERCHARGER SYSTEM**
(71) Applicant: **Hamburger's Specialty Vehicles, Inc.**,
Toms River, NJ (US)
(72) Inventors: **Edward Hamburger**, Toms River, NJ
(US); **David Goral**, Bayville, NJ (US);
Henry Daniecki, Cream Ridge, NJ
(US)
(73) Assignee: **Hamburger's Specialty Vehicles, Inc.**,
Toms River, NJ (US)
(**) Term: **15 Years**

(21) Appl. No.: **29/582,660**
(22) Filed: **Oct. 28, 2016**
(51) **LOC (11) Cl.** **15-01**
(52) **U.S. Cl.**
USPC **D15/5**
(58) **Field of Classification Search**
USPC D15/1-5
CPC F01D 9/026; F02B 37/183; F02B 29/0412;
F02B 29/0437; F02B 33/36; F02B 27/00;
F02B 33/44; F02B 61/02; F02M
35/10157; F02M 35/116; F02M 35/161;
F02M 35/10039; F02M 35/10045; F02M
35/10144; F02M 35/10268
See application file for complete search history.

(56) **References Cited**
U.S. PATENT DOCUMENTS
4,417,559 A * 11/1983 Matsuda F02B 27/00
123/184.21
5,586,540 A * 12/1996 Marzec F02B 33/40
123/559.1
7,654,876 B1 * 2/2010 Jones F02B 33/40
123/559.1

8,439,019 B1 * 5/2013 Carlson F16H 7/20
123/559.1
8,439,020 B1 * 5/2013 Carlson F02B 33/40
123/559.1
9,664,152 B2 * 5/2017 Zoner F02M 35/10157
2011/0123315 A1 * 5/2011 Robinson F02B 37/004
415/145
2011/0252790 A1 * 10/2011 Lotterman F02B 37/00
60/605.1
2014/0165559 A1 * 6/2014 Lotterman F02B 37/025
60/605.1
2015/0198106 A1 * 7/2015 Ishibashi F02D 23/02
123/445
2016/0237961 A1 * 8/2016 Callaway, III ... F02M 35/10157
2017/0101925 A1 * 4/2017 Robinson F02B 37/183
2017/0198593 A1 * 7/2017 Yoshida F01D 9/026
2017/0218891 A1 * 8/2017 Zoner F02M 35/10085

* cited by examiner

Primary Examiner — T Chase Nelson

Assistant Examiner — Ania Aman

(74) *Attorney, Agent, or Firm* — MacMillan, Sobanski &
Todd, LLC

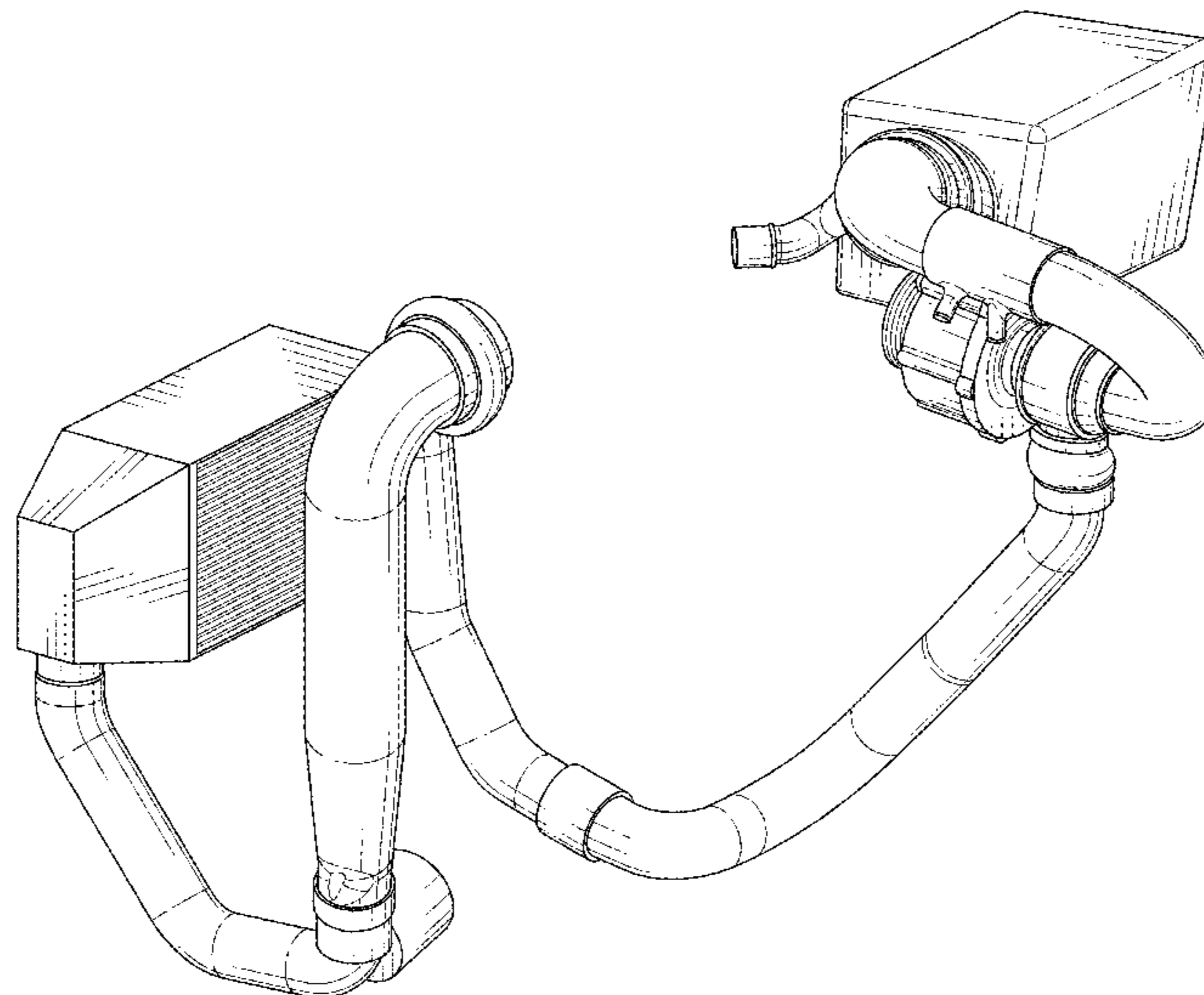
(57) **CLAIM**

The ornamental design for a supercharger system, as shown
and described.

DESCRIPTION

FIG. 1 is a perspective view of a supercharger system
according to the design;
FIG. 2 is a top plan view thereof;
FIG. 3 is a bottom plan view thereof;
FIG. 4 is a front elevational view thereof;
FIG. 5 is a rear elevational view thereof;
FIG. 6 is a right side elevational view thereof; and,
FIG. 7 is a left side elevational view thereof.
The broken lines shown in the drawings are for the purposes
of illustrating portions of the article that form no part of the
claimed design.

1 Claim, 7 Drawing Sheets



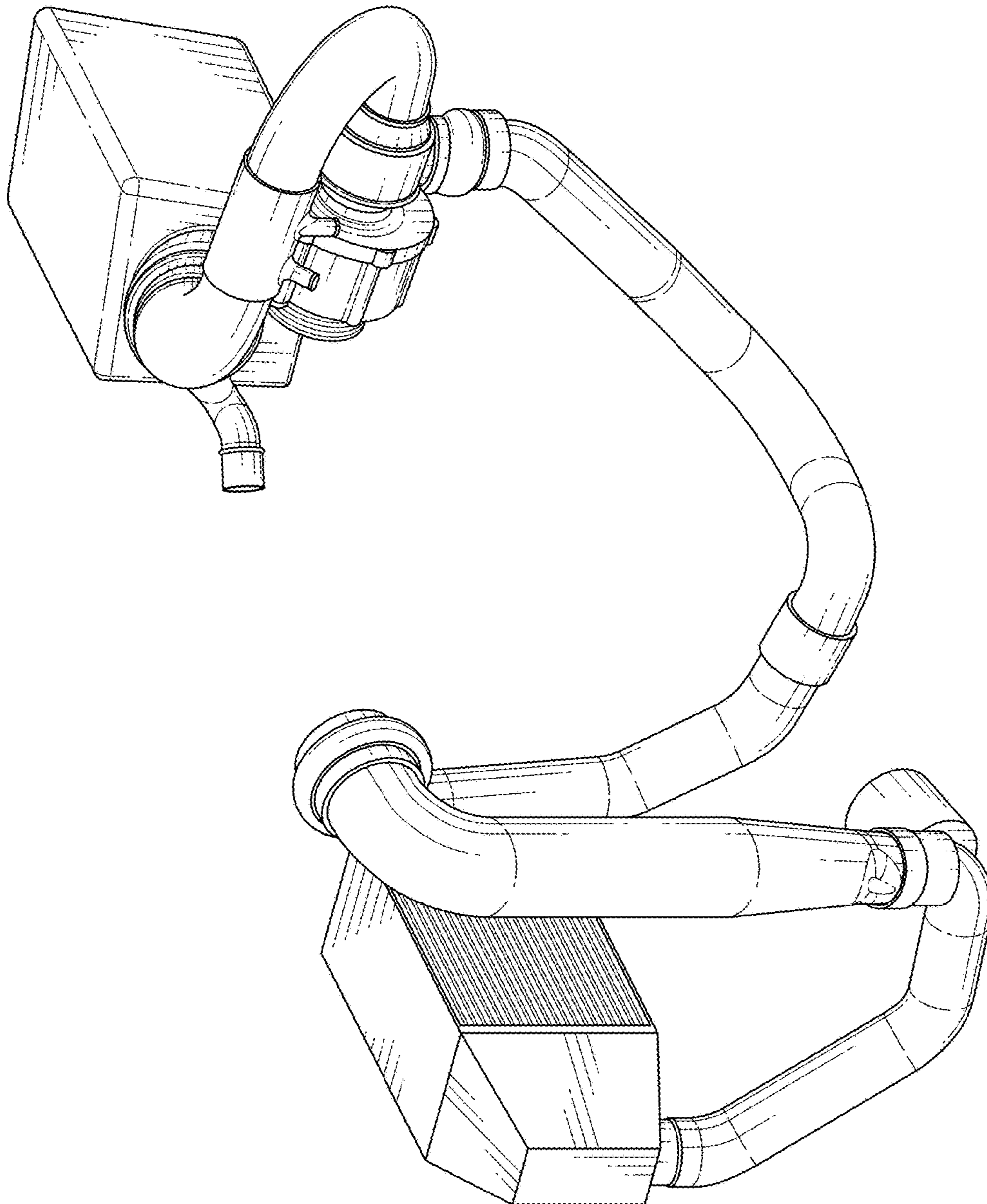


FIG. 1

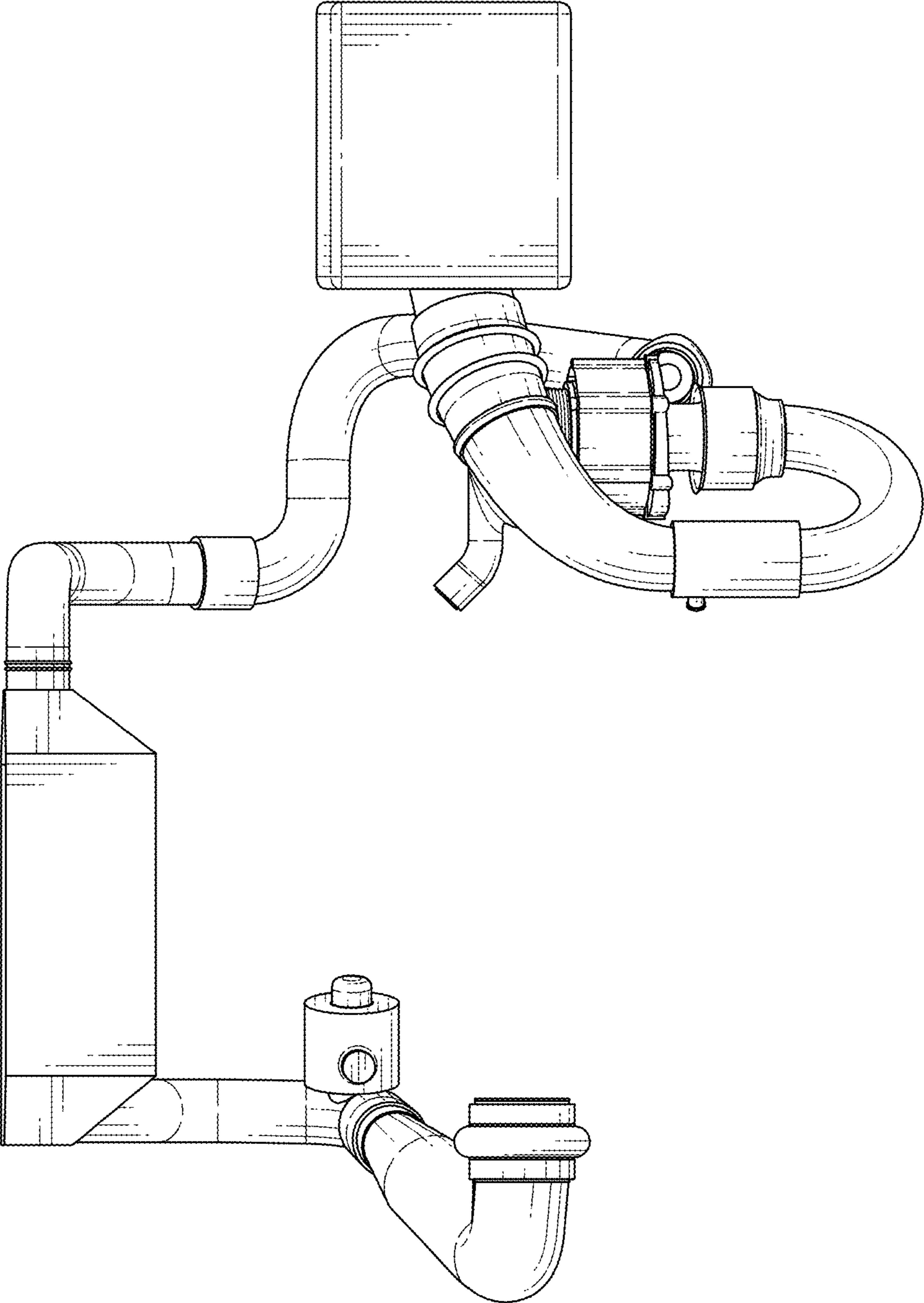


FIG. 2

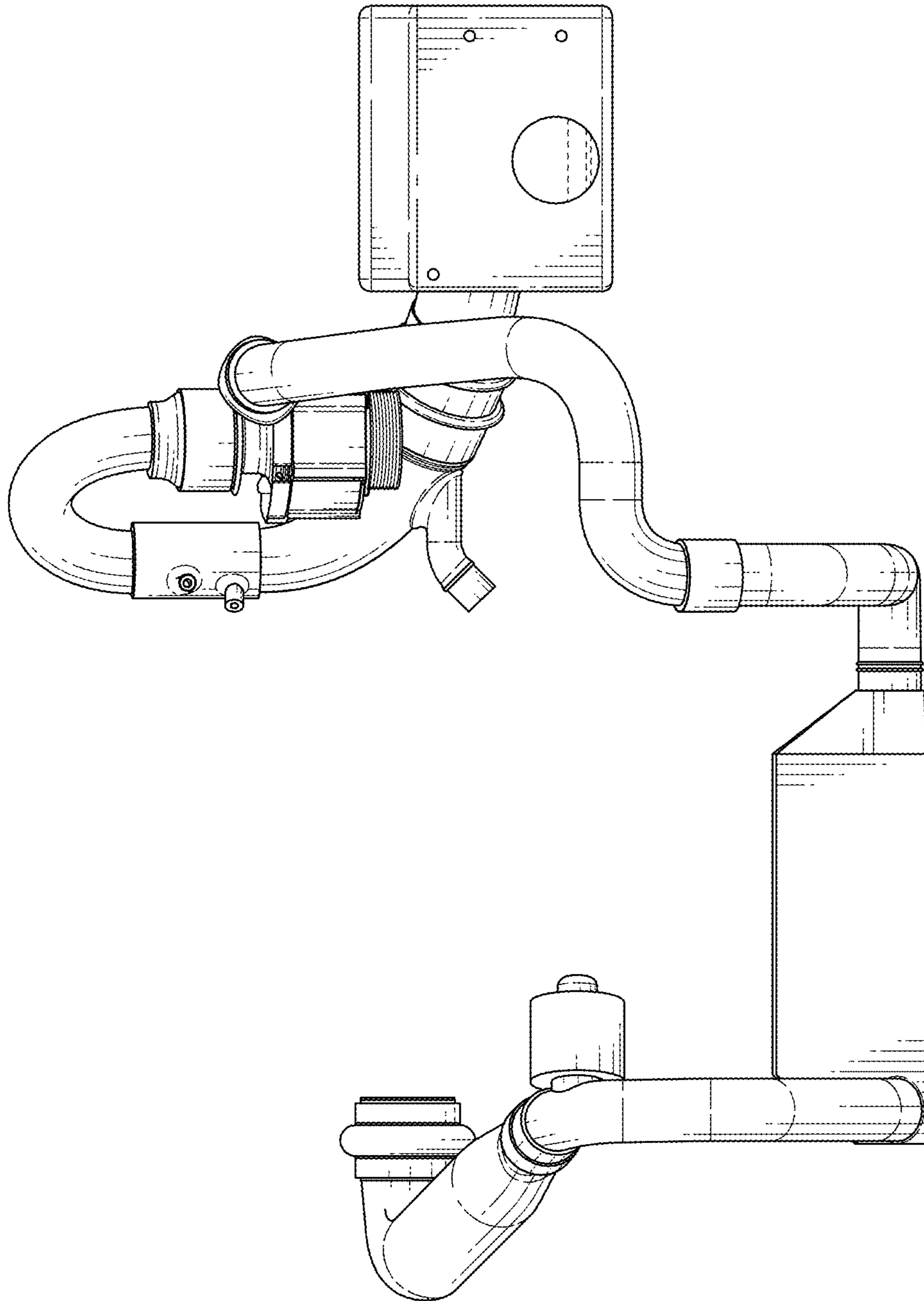


FIG. 3

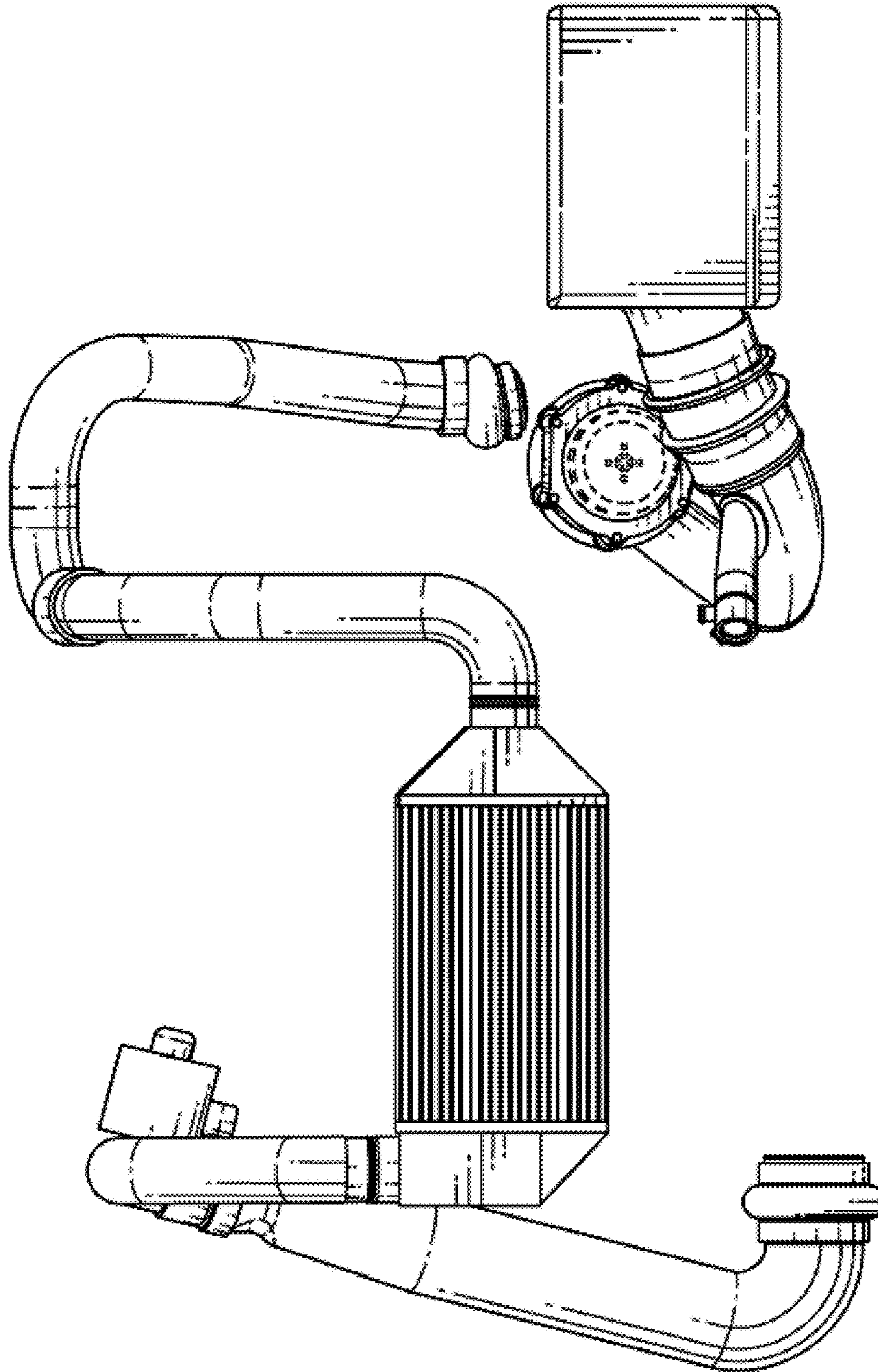


FIG. 4

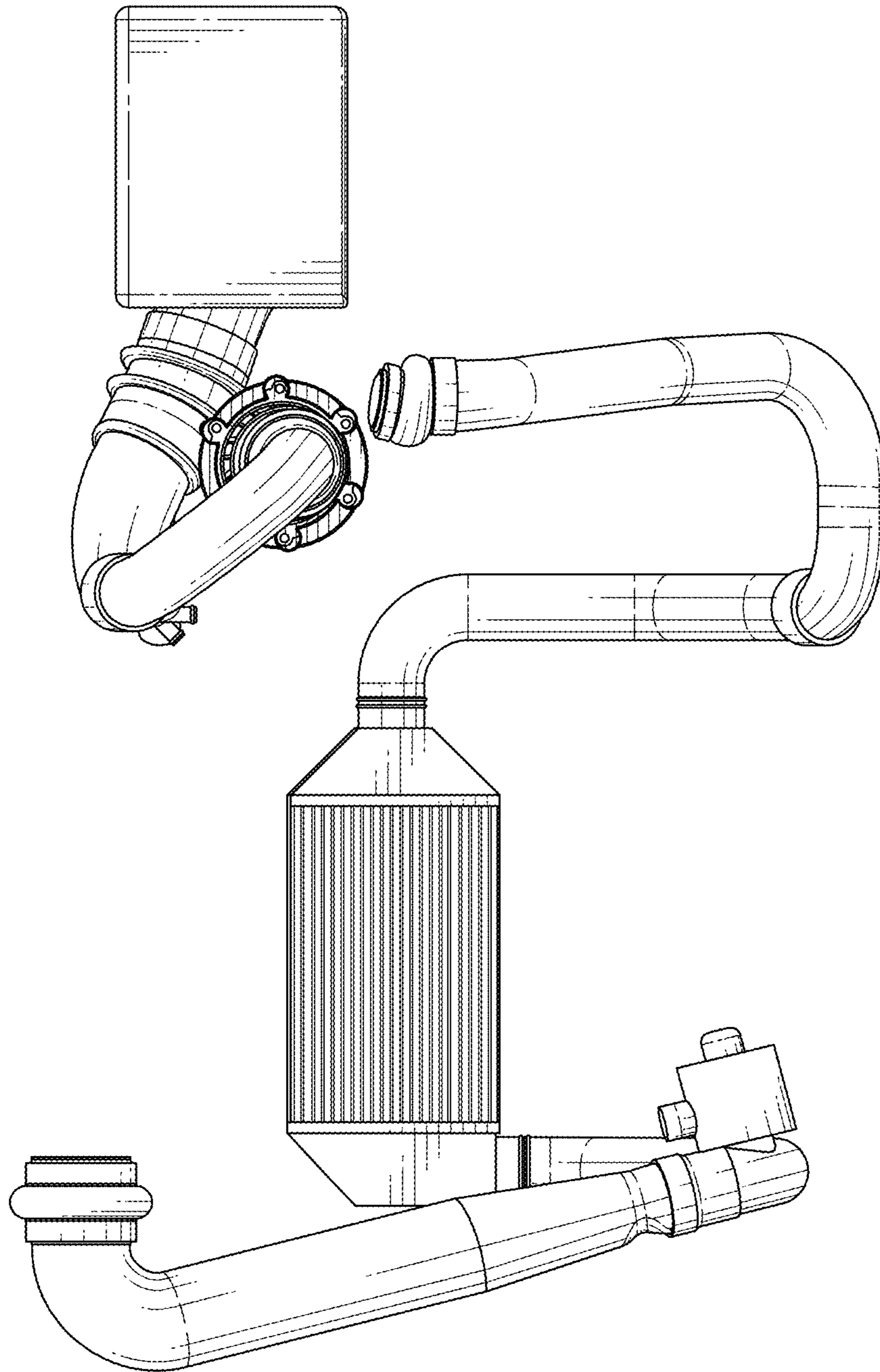


FIG. 5

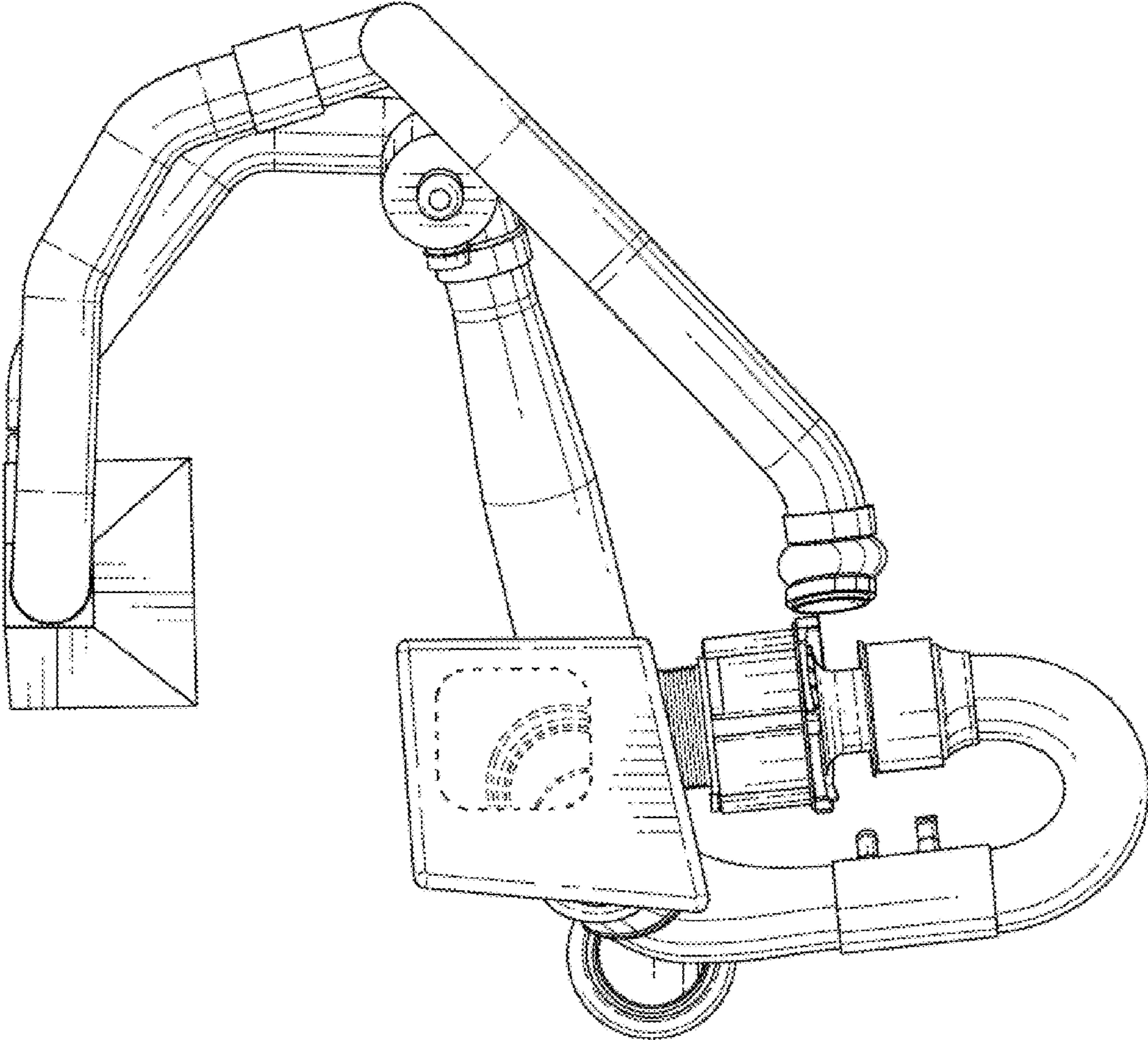


FIG. 6

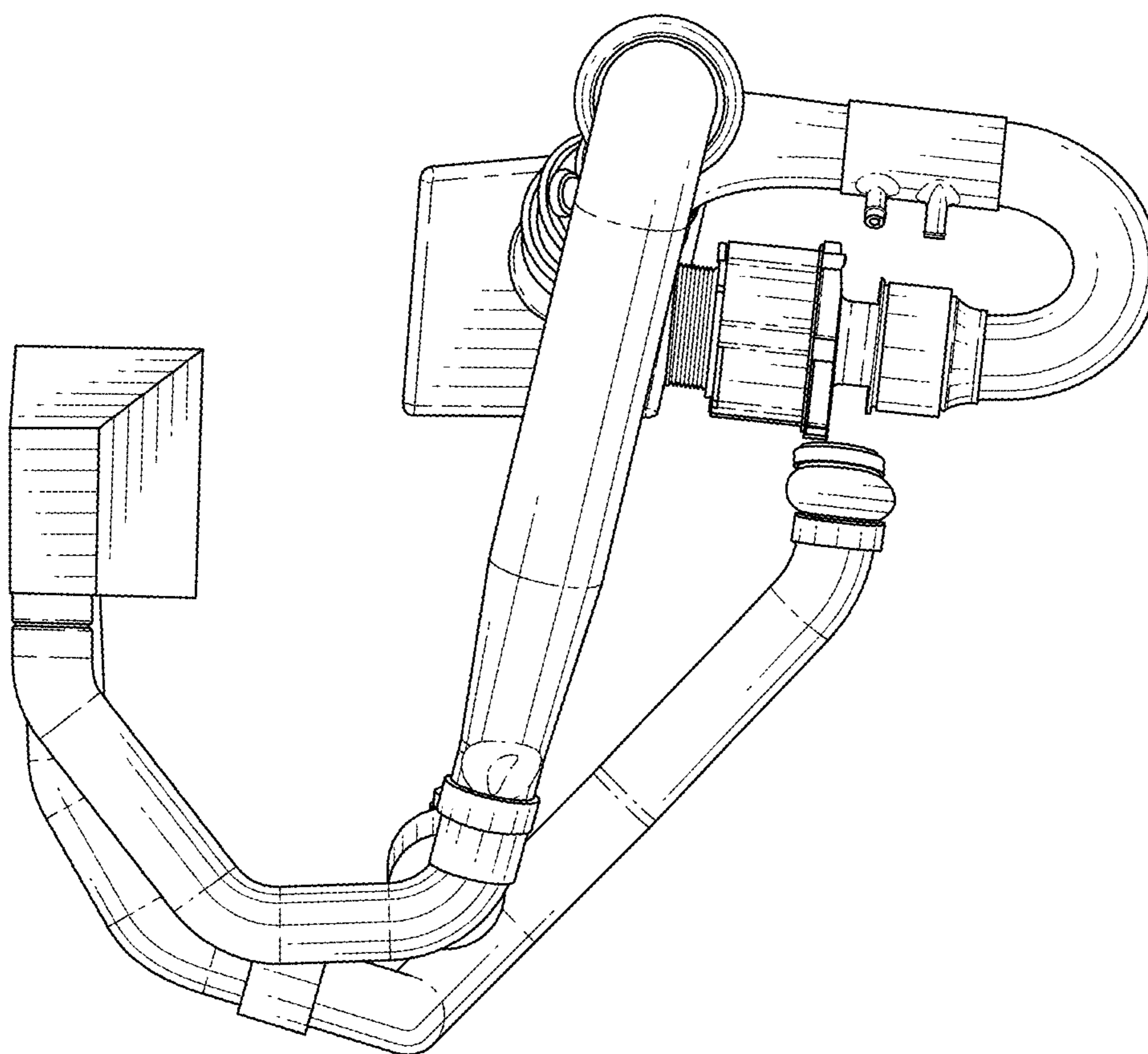


FIG. 7