



US00D835123S

(12) **United States Design Patent** (10) **Patent No.:** **US D835,123 S**
Andrew (45) **Date of Patent:** **** Dec. 4, 2018**

(54) **DISPLAY SCREEN OR PORTION THEREOF WITH GRAPHICAL USER INTERFACE**

D759,692 S 6/2016 Yamazaki et al.
D760,262 S 6/2016 Yamazaki et al.
D775,662 S 1/2017 Caldwell
D776,158 S 1/2017 Murata et al.
D778,317 S 2/2017 Lee

(71) Applicant: **Otis Elevator Company**, Farmington, CT (US)

(Continued)

(72) Inventor: **Sarah Rose Andrew**, Portland, OR (US)

FOREIGN PATENT DOCUMENTS

(73) Assignee: **OTIS ELEVATOR COMPANY**, Farmington, CT (US)

CN 100590050 C 2/2010
CN 201494975 U 6/2010

(Continued)

(**) Term: **15 Years**

OTHER PUBLICATIONS

(21) Appl. No.: **29/599,207**

123RF; "Vector—Icon E Commerce and Shopping"; Date Accessed: Mar. 16, 2017; URL Accessed: https://www.123rf.com/photo_29138624_stock-vector-icon-e-commerce-and-shopping.html?fromid=ZExDbnB3L0lhSks3SW93NDkxdWFxQT09; 3 Pages.

(22) Filed: **Mar. 31, 2017**

(Continued)

(51) **LOC (11) Cl.** **14-04**

(52) **U.S. Cl.**

USPC **D14/485**; D14/491; D14/495

(58) **Field of Classification Search**

USPC D14/485–495

CPC G06F 3/04817; H04N 1/00424

See application file for complete search history.

Primary Examiner — Richelle G Shelton

(74) *Attorney, Agent, or Firm* — Cantor Colburn LLP

(56) **References Cited**

(57) **CLAIM**

The ornamental design for a display screen or portion thereof with graphical user interface, as shown and described.

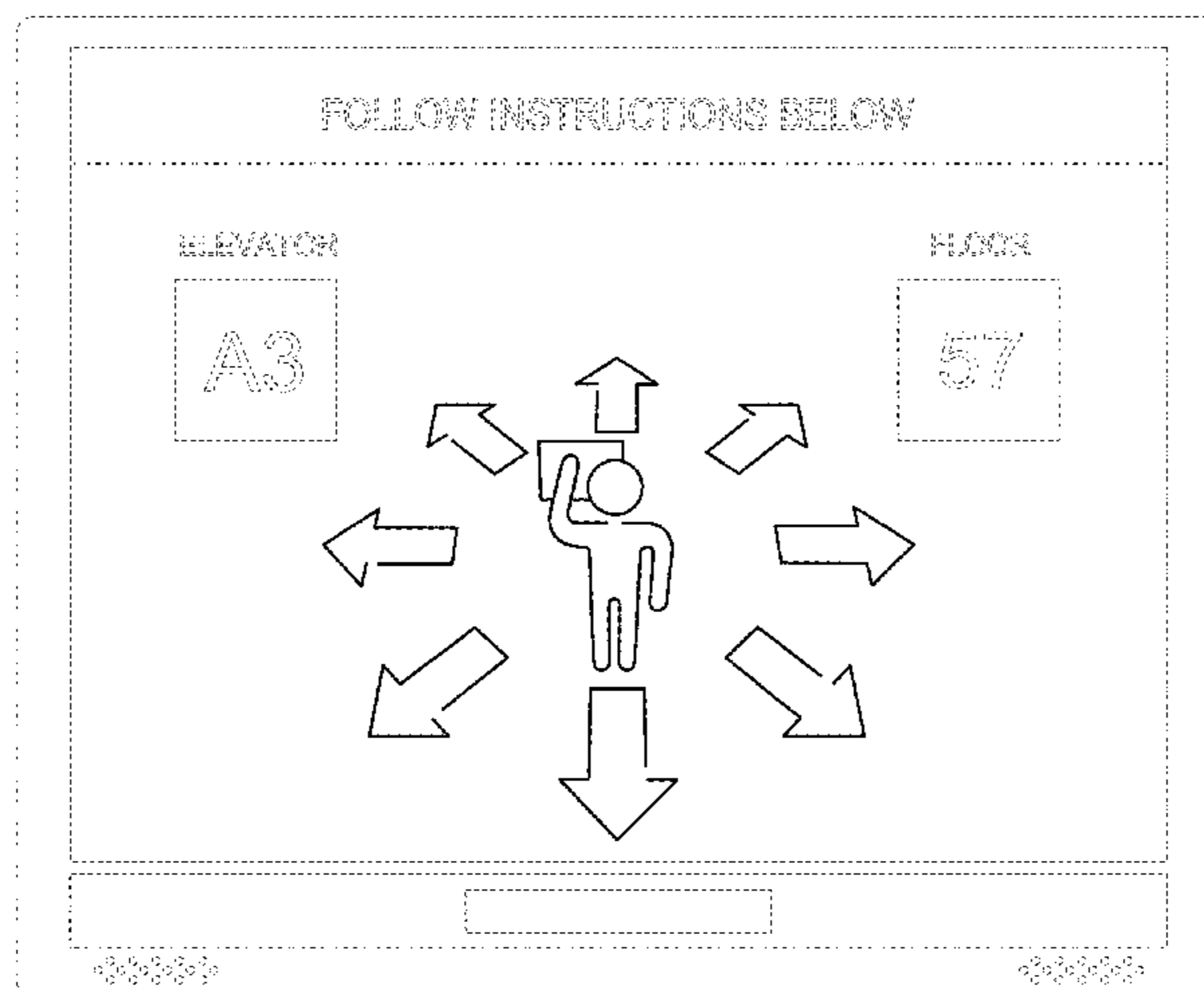
U.S. PATENT DOCUMENTS

- D399,501 S * 10/1998 Arora D14/491
- 7,040,458 B2 5/2006 Forsythe et al.
- D525,632 S * 7/2006 Jost D14/490
- D536,340 S * 2/2007 Jost D14/485
- D607,464 S 1/2010 Tang et al.
- D623,656 S * 9/2010 Fitzmaurice D14/488
- 8,136,636 B2 3/2012 Bahjat et al.
- D678,795 S 3/2013 Saikawa et al.
- D679,210 S 4/2013 Saikawa et al.
- D681,493 S 5/2013 Saikawa et al.
- D705,689 S 5/2014 Saikawa et al.
- D706,298 S 6/2014 Hollobaugh
- D708,638 S 7/2014 Manzari et al.
- D732,579 S 6/2015 Kim et al.
- 9,230,355 B1 * 1/2016 Ahuja G06T 11/60
- D757,807 S 5/2016 Patel et al.

DESCRIPTION

FIG. 1 is a front view of a display screen or portion thereof with graphical user interface showing my new design in accordance with a second embodiment; and, FIG. 2 is a front view of a display screen or portion thereof with graphical user interface showing my new design in accordance with a second embodiment. The broken lines showing the display screen or portion thereof and portions of the graphical user interface form no part of the claimed design.

1 Claim, 2 Drawing Sheets



(56)

References Cited

U.S. PATENT DOCUMENTS

D779,535	S	2/2017	Harju et al.	
D804,497	S *	12/2017	Akatsu	D14/485
2002/0180797	A1 *	12/2002	Bachmann	G06F 3/0236 715/780
2008/0165210	A1 *	7/2008	Platzer	G06F 3/0485 345/672
2011/0037777	A1 *	2/2011	Lindahl	G06F 1/1626 345/619
2012/0019141	A1	1/2012	Beignet	
2015/0166302	A1	6/2015	Parkkinen et al.	

FOREIGN PATENT DOCUMENTS

CN	203359715	U	12/2013
CN	103744320	A	4/2014
CN	302802839		4/2014
CN	203582211	U	5/2014
CN	302814341		5/2014
CN	302814348		5/2014
CN	303231960		6/2015
CN	303247560		6/2015
CN	303264976		7/2015
CN	303839802		9/2016
CN	303839806		9/2016
CN	303906748		11/2016
CN	303929405		11/2016
DE	4020141006820001		10/2014
EM	0005032710004		5/2006
EM	0020431900003		7/2012
EM	0022109550016		4/2013
EM	0022109550042		4/2013
EM	0014095690098		7/2014
EM	0030766940036		4/2016
JP	D1337782		8/2008
JP	D1509703		10/2014
JP	D1509704		10/2014
JP	D1510122		10/2014
JP	D1521067		4/2015
JP	D1559317		9/2016
KR	100712719	B1	5/2007
KR	101166339	B1	7/2012
KR	3007036090000		8/2013
KR	3007978000000		5/2015
KR	3007978010000		5/2015
KR	3007978020000		5/2015
MX	0407370001		2/2014
WO	D053576001		12/2000
WO	2007046807	A1	4/2007

OTHER PUBLICATIONS

123RF; “Vector—Icons Set Shipping and Delivery”; Date Accessed: Mar. 16, 2017; URL Accessed: https://www.123rf.com/photo_11869880_icons-set-shipping-and-delivery.html; 3 Pages.

123RF; “Vector—Lineo—Shopping and E-commerce outline icons”; Date Accessed: Mar. 16, 2017; URL Accessed: https://www.123rf.com/photo_26036799_lineo--shopping-and-e-commerce-outline-icons.html?fromid=MWxOZTZ6Q3k2MzVxOE0wS1Q1M1BzZz09; 3 Pages.

Amstel House; “Hostel Berlin”; Date Accessed: Mar. 16, 2017; URL Accessed: <http://www.amstelhouse.de/en/hostel-service/>; 6 Pages.

ASD Reports; “Smart Elevator Market Worth \$16.4 Billion by 2018”; Published: Jun. 17, 2013; 2 Pages.

Bigstock; “An Undecided Symbol Person Needs Help Standing at an Intersection of Possibilities”; Date Accessed: Mar. 16, 2017; URL Accessed: <https://www.bigstockphoto.com/image-5881732/stock-vector-question-person-undecided-in-decision-direction-arrows>; 3 Pages.

Brian K. Inman; “Touchscreen Elevators”; URL Accessed: <https://briankinman.com/2016/10/11/touchscreen-elevators/>; Date Posted: Oct. 11, 2016; Date Accessed: Mar. 10, 2017; 5 Pages.

Clipartfest; “Four Dotted Line Arrows Point . . .”; Date Accessed: Mar. 16, 2017; URL Accessed: <https://clipartfest.com/download/ac65df8dde23b4040d38a9e3f01b9954b03e3344.html>; 6 Pages.

Free Icons PNG; “Swimming Pool Icon Png”; Date Accessed: Mar. 16, 2017; URL Accessed: <http://www.freeiconspng.com/free-images/swimming-icon-png-3751>; 2 Pages.

Getty Images; “Man and Direction Icon Flat Graphic Design”; Date Accessed: Mar. 24, 2017; URL Accessed: <http://www.gettyimages.com/detail/illustration/man-and-direction-icon-flat-graphic-design-royalty-free-illustration/493535152>; 1 Page.

Getty Images; “Martini Glass Icon on White Round Vector Button”; Date Accessed: Mar. 24, 2017; URL Accessed: <http://www.gettyimages.com/detail/illustration/martini-glass-icon-on-white-round-vector-royalty-free-illustration/525342054>; 1 Page.

Getty Images; “Push Cart Icon Flat Graphic Design”; Date Accessed: Mar. 24, 2017; URL Accessed: <http://www.gettyimages.com/detail/illustration/push-cart-icon-flat-graphic-design-royalty-free-illustration/492577286>; 1 Page.

Iconfinder; “Alcohol, cocktail, drink, glass, martini icon”; Date Accessed: Mar. 16, 2017; URL Accessed: https://www.iconfinder.com/icons/388277/alcohol_cocktail_drink_glass_martini_icon; 13 Pages.

Iconfinder; “Crown, headgear, nobility, royal, royal crown . . .”; Date Accessed: Mar. 16, 2017; URL Accessed: https://www.iconfinder.com/icons/826621/crown_headgear_nobility_royal_royal_crown_icon#size=128; 12 Pages.

Iconfinder; “Dining, dinner, eat, eating, plate, restaurant, . . .”; Date Accessed: Mar. 16, 2017; URL Accessed: https://www.iconfinder.com/icons/873330/dining_dinner_eat_eating_plate_restaurant_silverware_icon; 13 Pages.

Iconfinder; “Dining, eating, fork, knife, plate, restaurant, . . .”; Date Accessed: Mar. 16, 2017; URL Accessed: https://www.iconfinder.com/icons/826596/dining_eating_fork_knife_plate_restaurant_tableware_icon#size=128; 12 Pages.

Iconfinder; “Public, transportation icon”; Date Accessed: Mar. 16, 2017; URL Accessed: https://www.iconfinder.com/icons/41977/public_transportation_icon; 12 Pages.

Noun Project; “Swimming-Pool Icons”; Date Accessed: Mar. 17, 2017; URL Accessed: <https://thenounproject.com/term/swimming-pool/114418/>; 6 Pages.

Shutterstock; “Handcart Box Icon”; Date Accessed: Mar. 16, 2017; URL Accessed: <https://www.shutterstock.com/image-vector/handcart-box-icon-432405112?src=YB5XW8wnAvFECd4iWxjoHw-1-36>; 3 Pages.

Touch-To-Go Technologies Inc.; “Elevator Touchscreen Systems—Accessibility & Code Compliance”; URL Accessed: http://www.touchtogo.ca/products_5.html; Date Accessed: Mar. 17, 2017; 2 Pages.

Touch-To-Go Technologies Inc.; “Elevator Touchscreen Systems—Commercial Offices”; URL Accessed: http://www.touchtogo.ca/demo_2.html; Date Accessed: Mar. 17, 2017; 1 Page.

Touch-To-Go Technologies Inc.; “Elevator Touchscreen Systems—Hotel Example”; URL Accessed: http://www.touchtogo.ca/demo_1.html; Date Accessed: Mar. 17, 2017; 1 Page.

Touch-To-Go Technologies Inc.; “Elevator Touchscreen Systems”; URL Accessed: http://www.touchtogo.ca/products_2.html; Date Accessed: Mar. 10, 2017; 3 Pages.

Formalities Notice No. 1—Requirements for Registration Not Met; Australian Application No. 201716008; dated Oct. 23, 2017; 3 Pages.

Formalities Notice No. 1—Requirements for Registration Not Met; Australian Application No. 201716009; dated Oct. 23, 2017; 3 Pages.

KR Notification of Reason(s) for Refusal w/ English Translation; KR Application No. 30-2017-0046306; dated Feb. 13, 2018; pp. 1-9.

KR Notification of Reason(s) for Refusal w/ English Translation; KR Application No. 30-2017-0046300; dated Feb. 13, 2018; pp. 1-9.

YouTube.com, [online]; [retrieved on Feb. 13, 2017]; retrieved from the Internet New CompassPlus destination management system

(56)

References Cited

OTHER PUBLICATIONS

accessible to the public through YouTube (<https://www.youtube.com/watch?v=s4QS40DZQ-8&feature=youtu.be>) disclosed on Feb. 13, 2017, pp. 1-1.

* cited by examiner

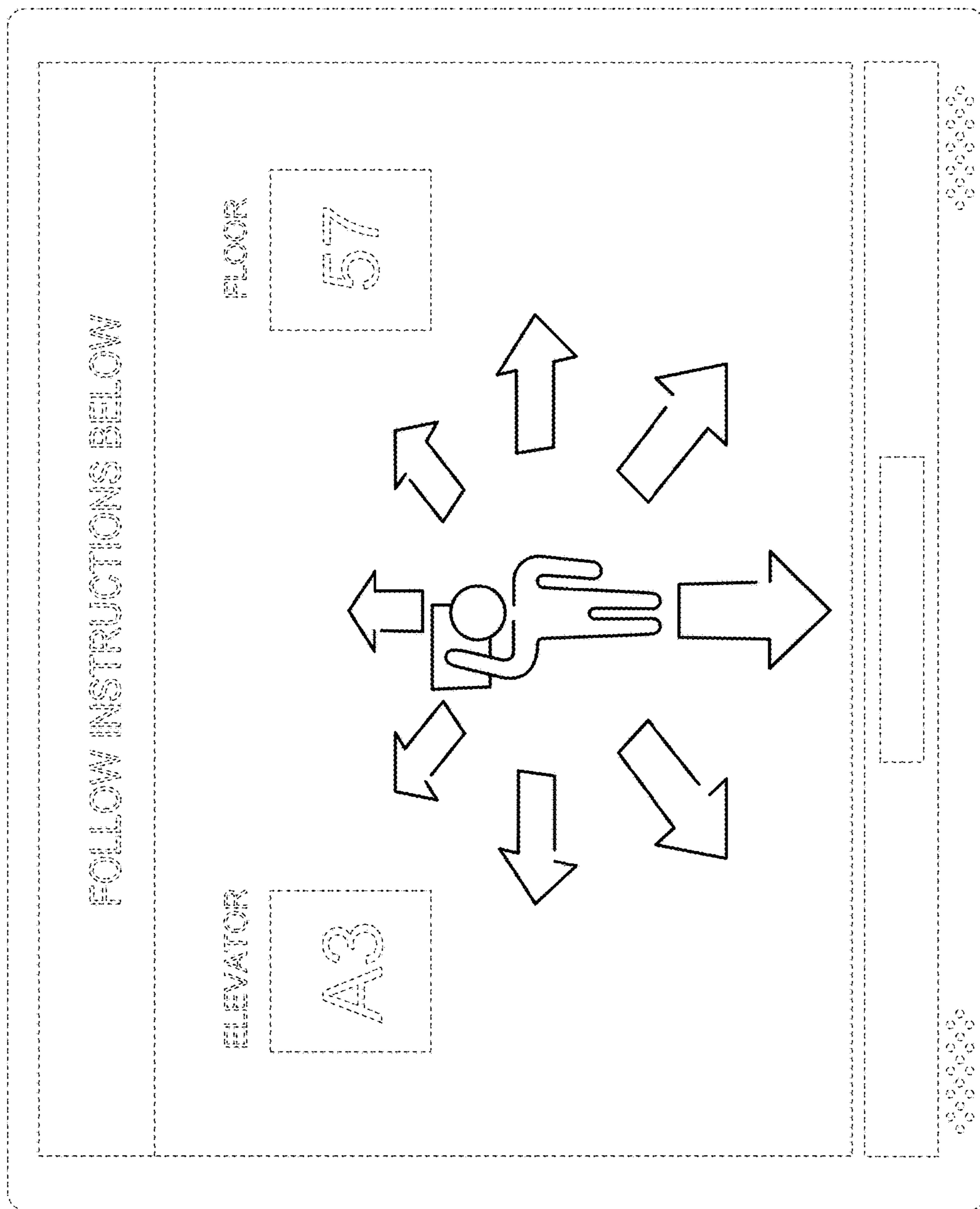


FIG. 1

