

US00D835115S

(12) **United States Design Patent**
Westergård et al.

(10) **Patent No.:** **US D835,115 S**
(45) **Date of Patent:** **** Dec. 4, 2018**

(54) **SUPPORT FOR LAPTOP COMPUTERS**

CPC A47B 21/04; A47B 2097/006; A47B
2097/005; A47B 2023/049
See application file for complete search history.

(71) Applicant: **FREEDESK AB**, Lomma (SE)

(72) Inventors: **Stefan Westergård**, Bjärred (SE);
Martin Stark, Veberöd (SE); **John
Stangdell**, Tyresö (SE); **Patrik
Bruzelius**, Bjärred (SE)

(56) **References Cited**

U.S. PATENT DOCUMENTS

2009/0184218 A1* 7/2009 Buckles F16M 13/00
248/176.1
2009/0321605 A1* 12/2009 Petrie F16M 13/00
248/452

(**) Term: **15 Years**

* cited by examiner

(21) Appl. No.: **35/503,607**

Primary Examiner — Michael A. Pratt

(22) Filed: **Aug. 2, 2017**

(80) **Hague Agreement Data**

Int. Filing Date: **Aug. 2, 2017**
Int. Reg. No.: **DM/097394**
Int. Reg. Date: **Aug. 2, 2017**
Int. Reg. Pub. Date: **Sep. 1, 2017**

(57) **CLAIM**

The ornamental design for a support for laptop computers,
as shown and described.

(30) **Foreign Application Priority Data**

Feb. 6, 2017 (EM) 003741495-0003

DESCRIPTION

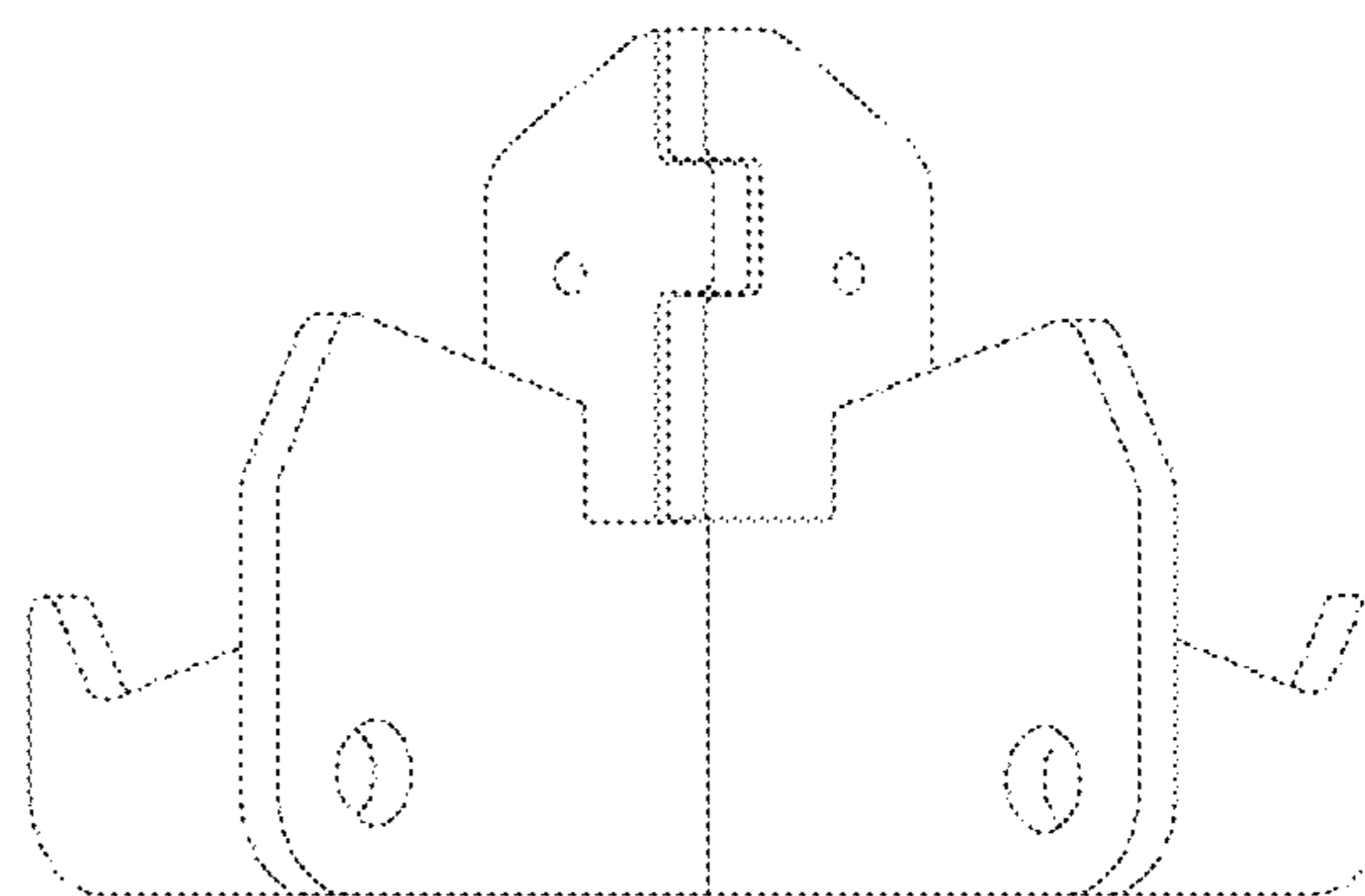
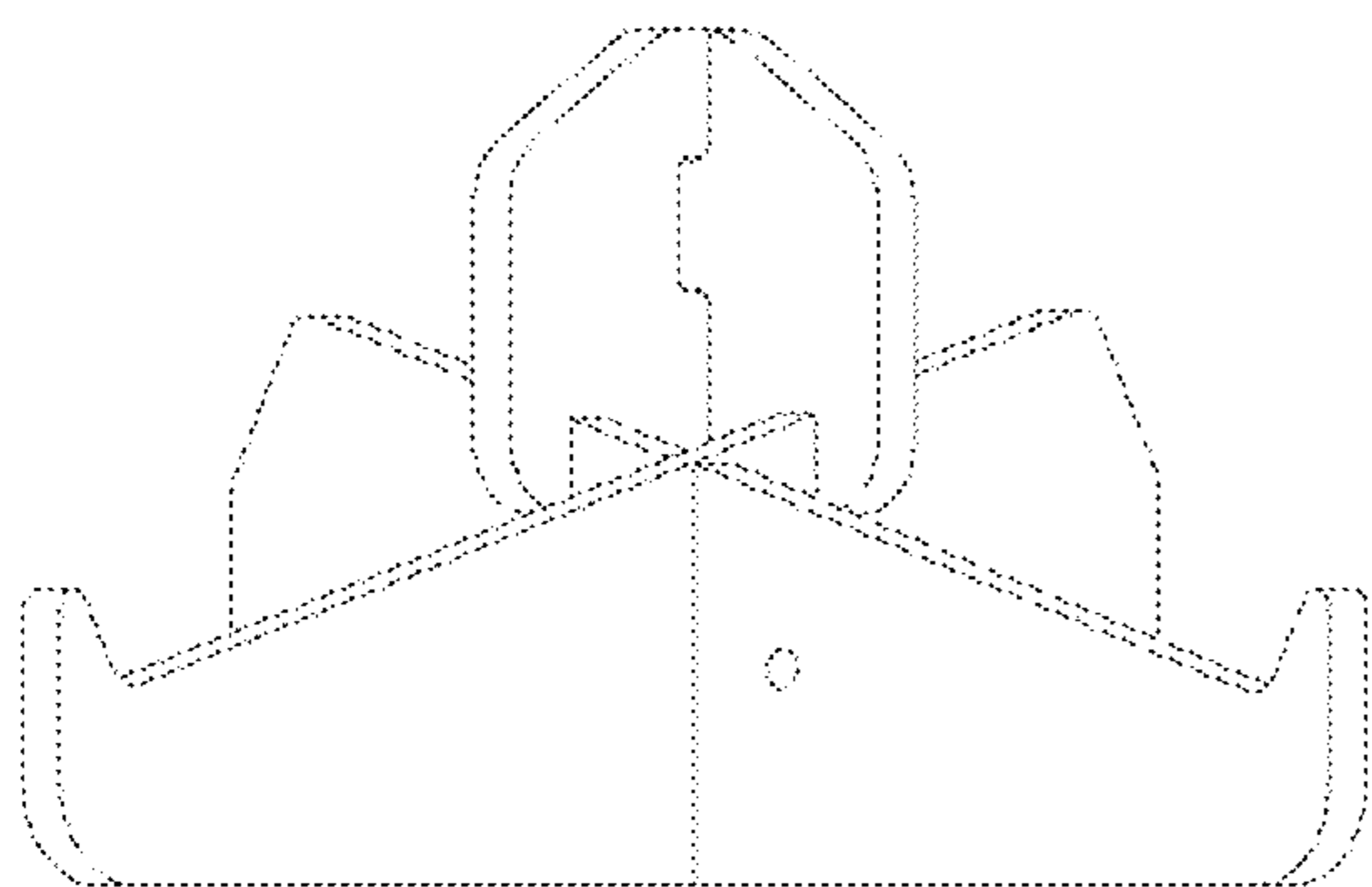
- 1. Support for laptop computers
- 1.1 is a Perspective
- 1.2 is a Front
- 1.3 is a Rear
- 1.4 is a Top
- 1.5 is a Bottom
- 1.6 is a Left
- 1.7 is a Right

(51) **LOC (11) Cl.** **08-07**

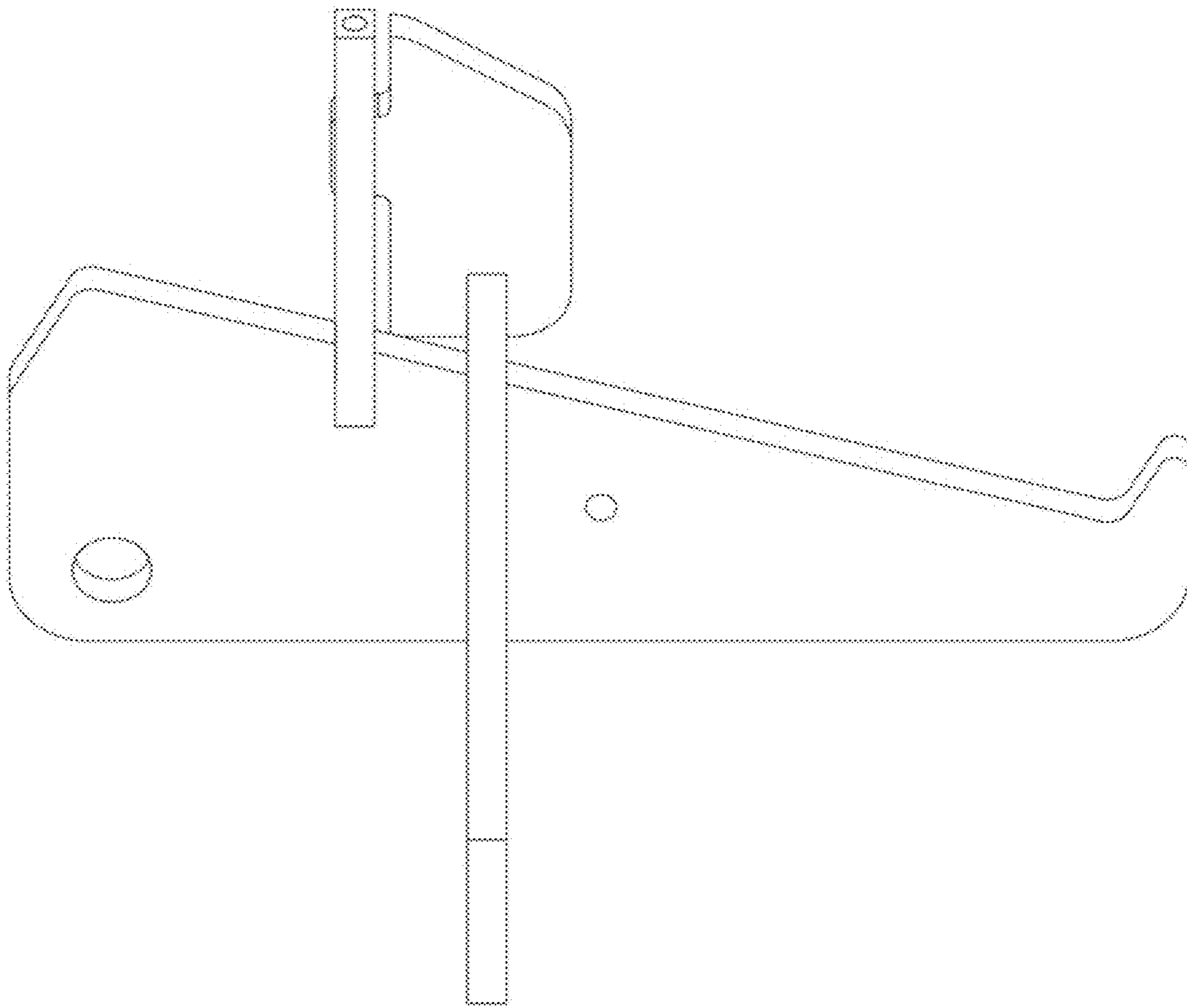
(52) **U.S. Cl.**
USPC **D14/447**

(58) **Field of Classification Search**
USPC D14/447, 439, 451, 452, 457

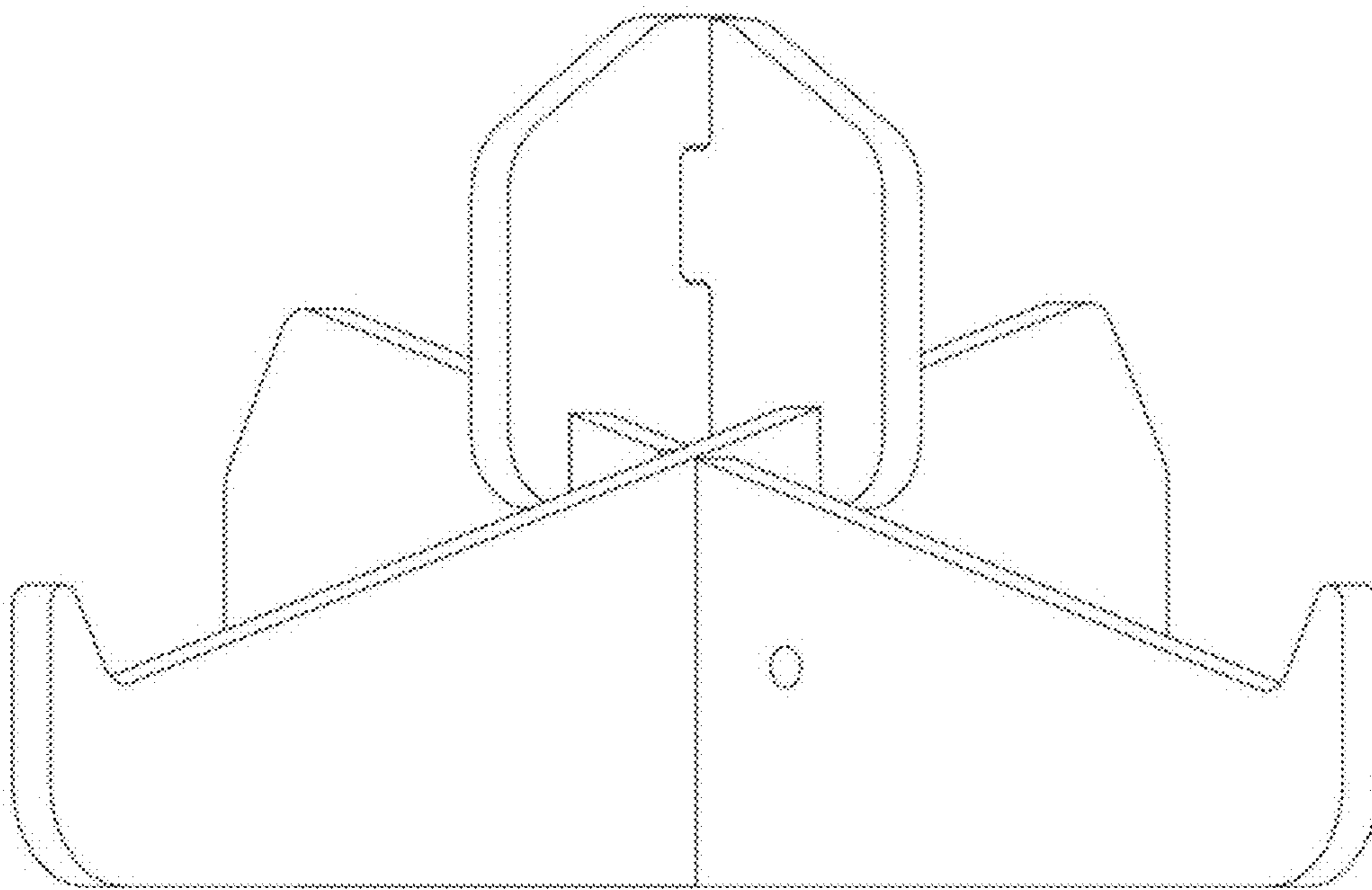
1 Claim, 7 Drawing Sheets



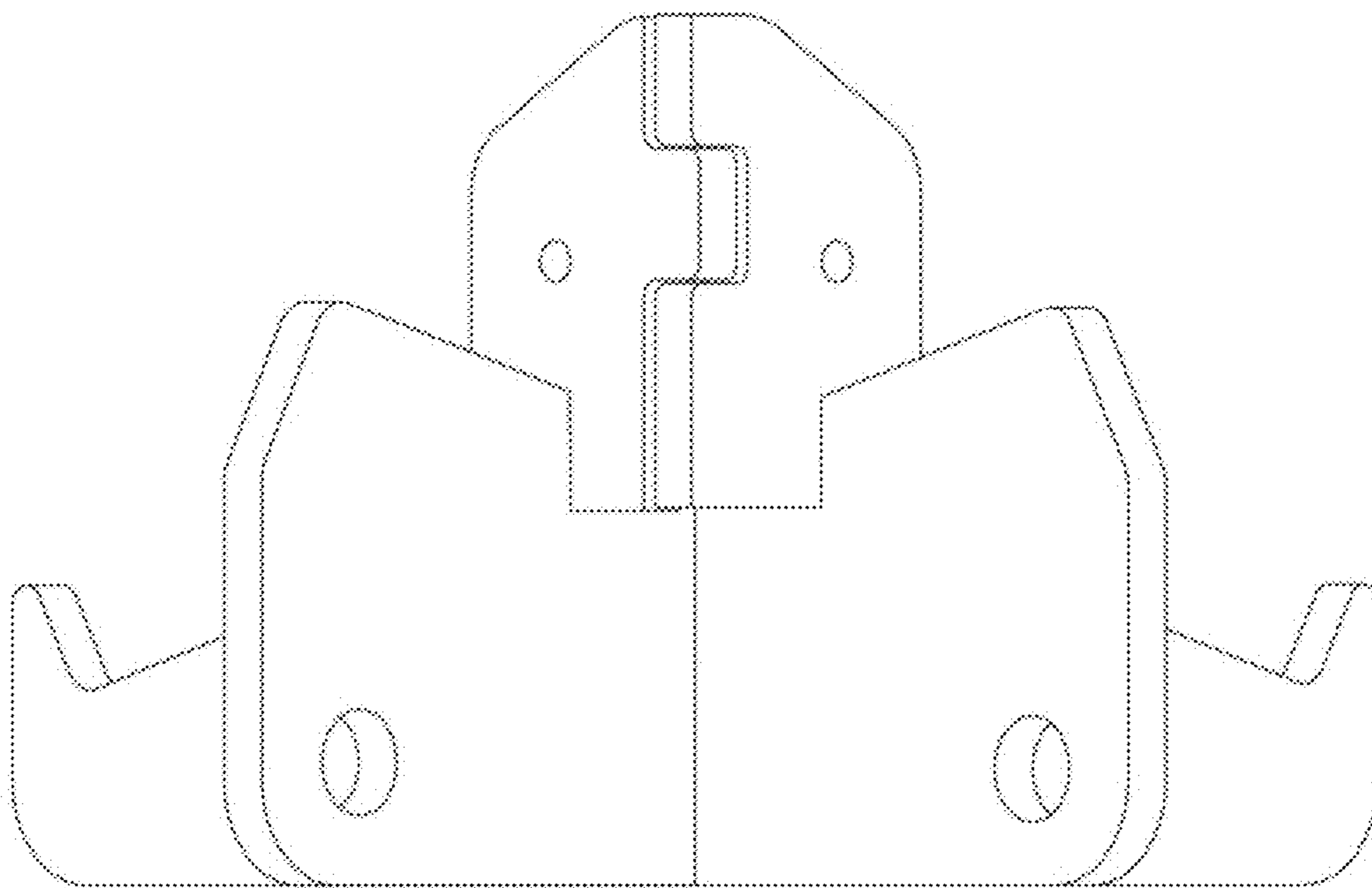
1.1



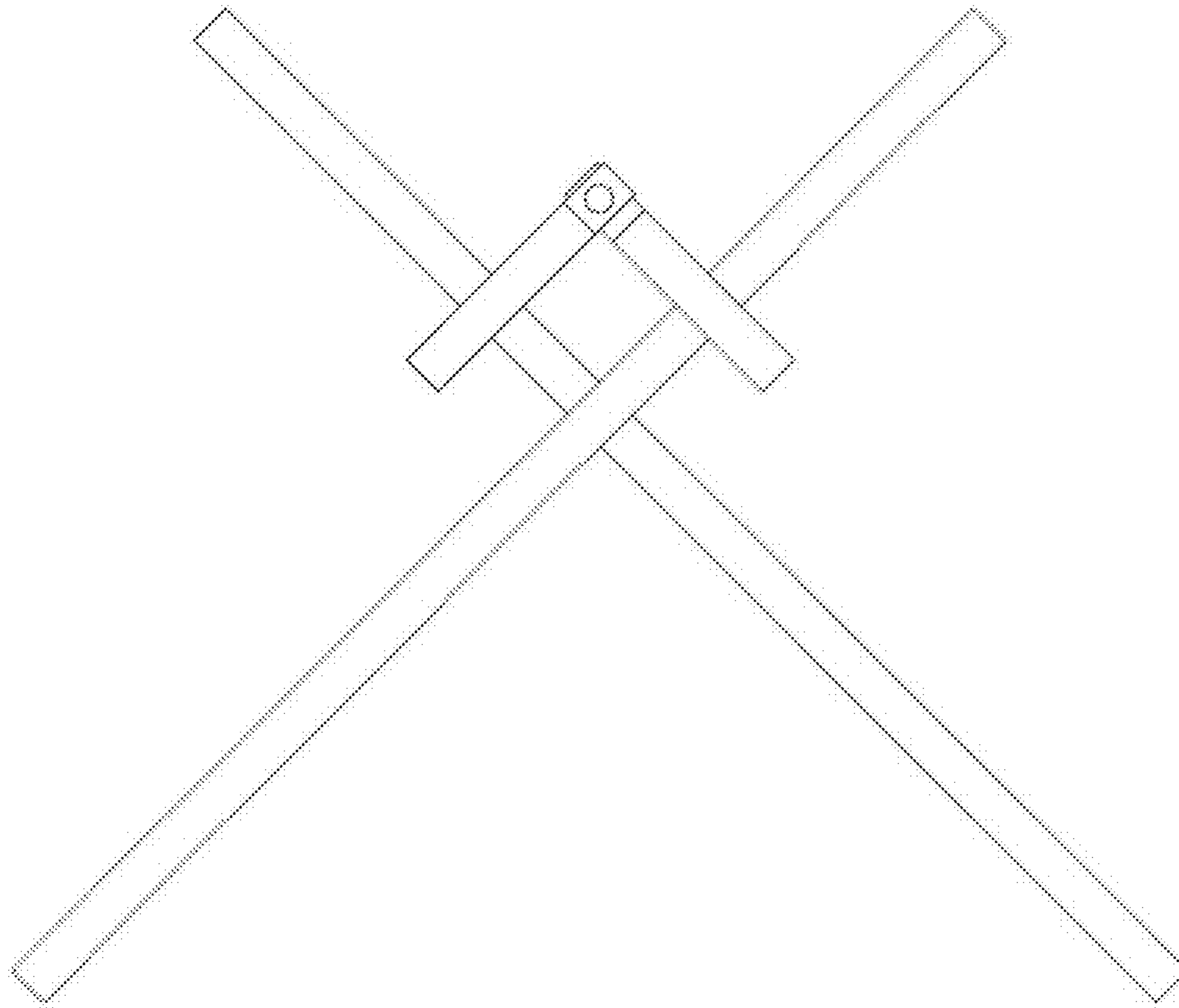
1.2



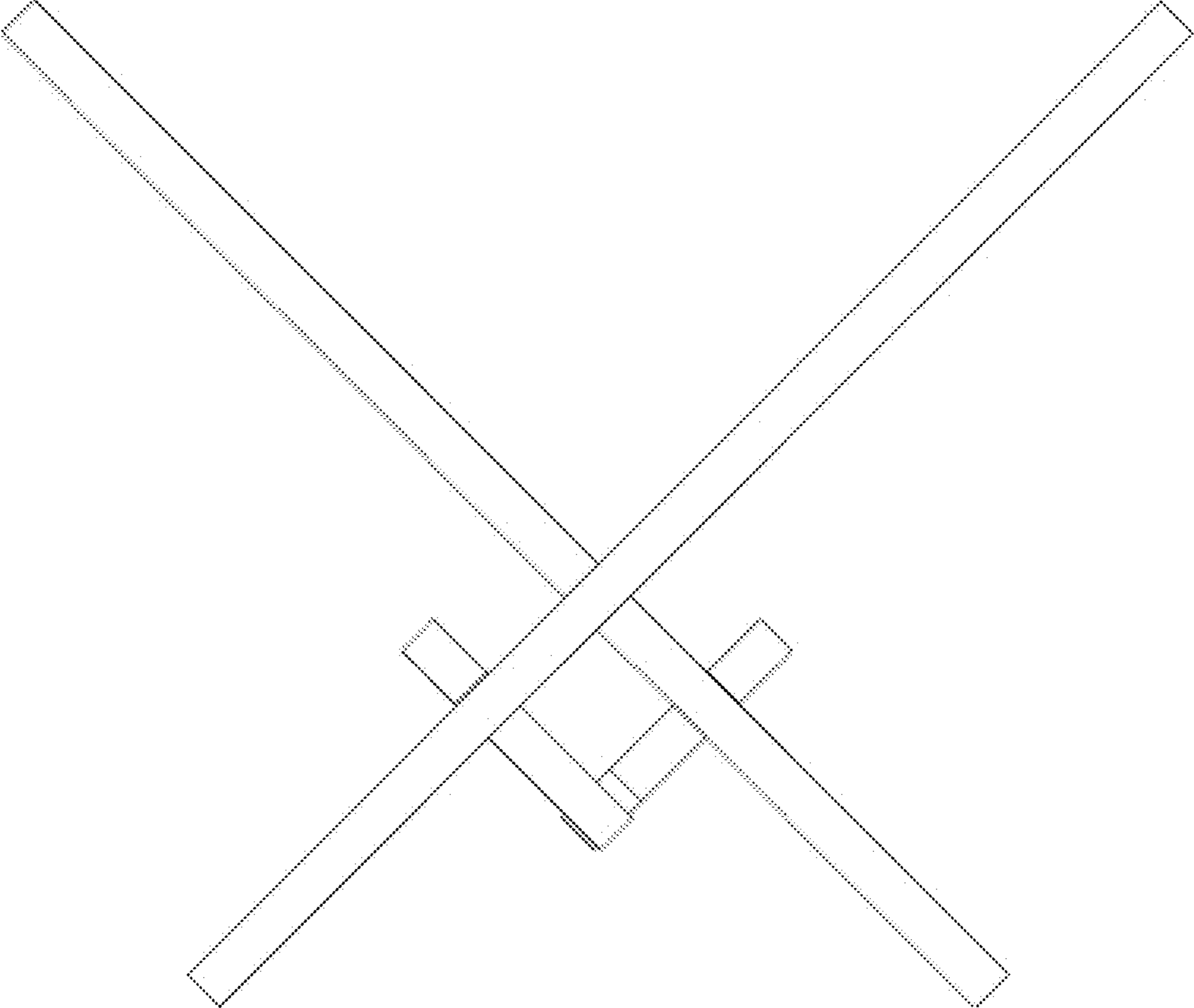
1.3



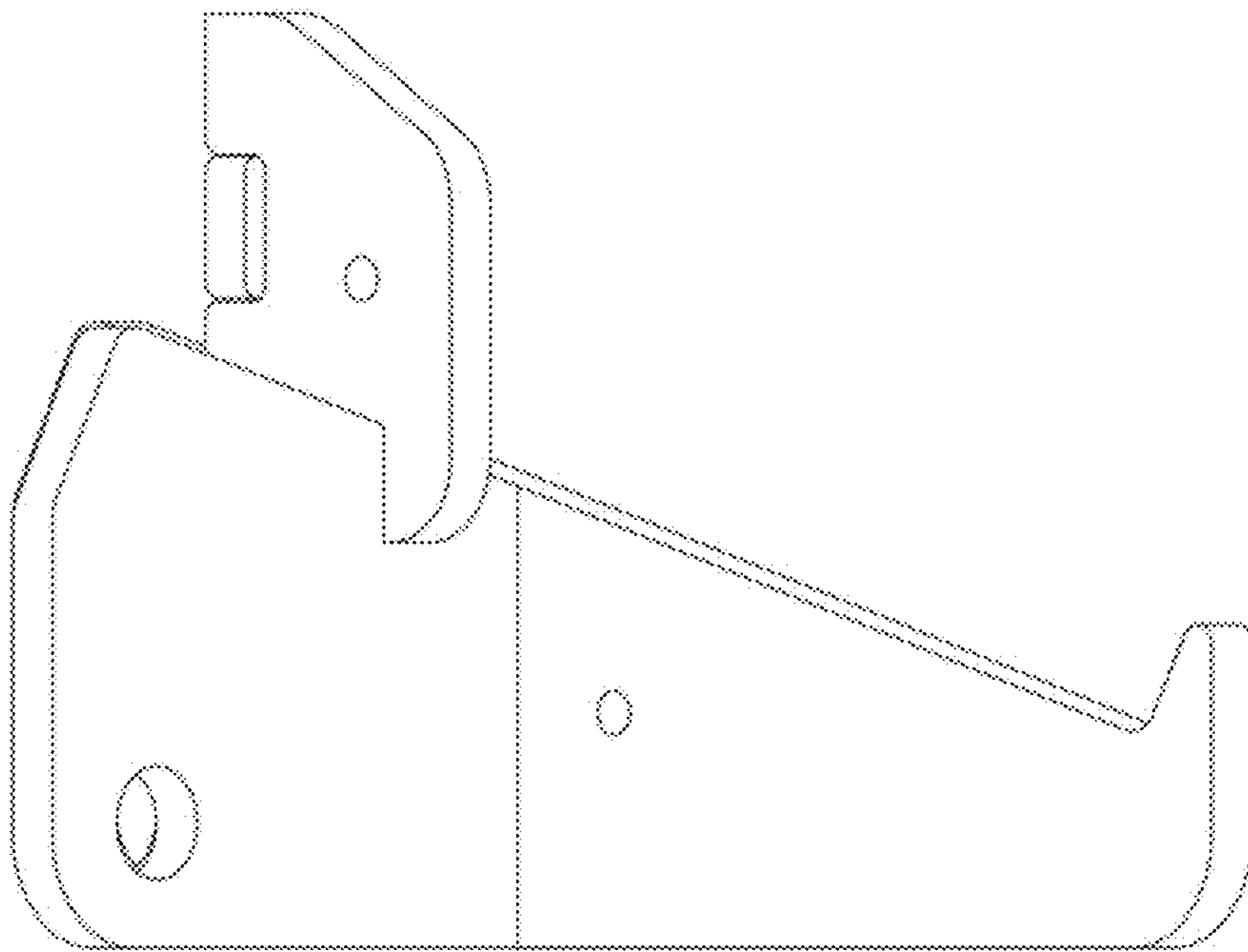
1.4



1.5



1.6



1.7

