



US00D835114S

(12) **United States Design Patent** (10) **Patent No.:** **US D835,114 S**  
**Lazzi et al.** (45) **Date of Patent:** **\*\* \*Dec. 4, 2018**

(54) **WORKSTATION**  
(71) Applicant: **Humanscale Corporation**, New York, NY (US)  
(72) Inventors: **Vincenzo Lazzi**, South Orange, NJ (US); **Ross Velazquez**, Brooklyn, NY (US)  
(73) Assignee: **Humanscale Corporation**, New York, NY (US)

D285,507 S 9/1986 Middlemist  
D391,945 S \* 3/1998 Rosen ..... D14/239  
5,799,917 A 9/1998 Li  
D406,228 S \* 3/1999 Vogels ..... D14/452  
D429,251 S \* 8/2000 Sundry ..... D14/457  
(Continued)

**FOREIGN PATENT DOCUMENTS**

EP 0481159 2/1991  
WO D008784-001 8/1987

**OTHER PUBLICATIONS**

M2 Monitor Arm Brochure, Humanscale, known at least as early as Dec. 21, 2016, 5 pgs.

(Continued)

*Primary Examiner* — Angela J Lee

(74) *Attorney, Agent, or Firm* — Womble Bond Dickinson (US) LLP

(\* ) Notice: This patent is subject to a terminal disclaimer.  
(\*\*) Term: **15 Years**

(21) Appl. No.: **29/631,170**  
(22) Filed: **Dec. 28, 2017**

**Related U.S. Application Data**

(63) Continuation of application No. 29/591,459, filed on Jan. 20, 2017, now Pat. No. Des. 812,066, which is a continuation of application No. 29/567,408, filed on Jun. 8, 2016.

(51) **LOC (11) Cl.** ..... **08-07**  
(52) **U.S. Cl.**  
USPC ..... **D14/447**

(58) **Field of Classification Search**  
USPC ..... D14/447, 432, 434, 439, 440, 451, 452, D14/457, 239; D8/363, 373, 380; D6/406.3, 406.4, 406.5, 406.6; D12/415  
CPC ..... A47B 21/04; A47B 2097/006; A47B 2097/005; A47B 2023/049; A45C 2011/002; A45C 2011/003; F16M 2200/00; F16M 13/00

See application file for complete search history.

(56) **References Cited**

**U.S. PATENT DOCUMENTS**

D275,431 S \* 9/1984 Usah ..... 248/921  
D276,100 S 10/1984 Middleton

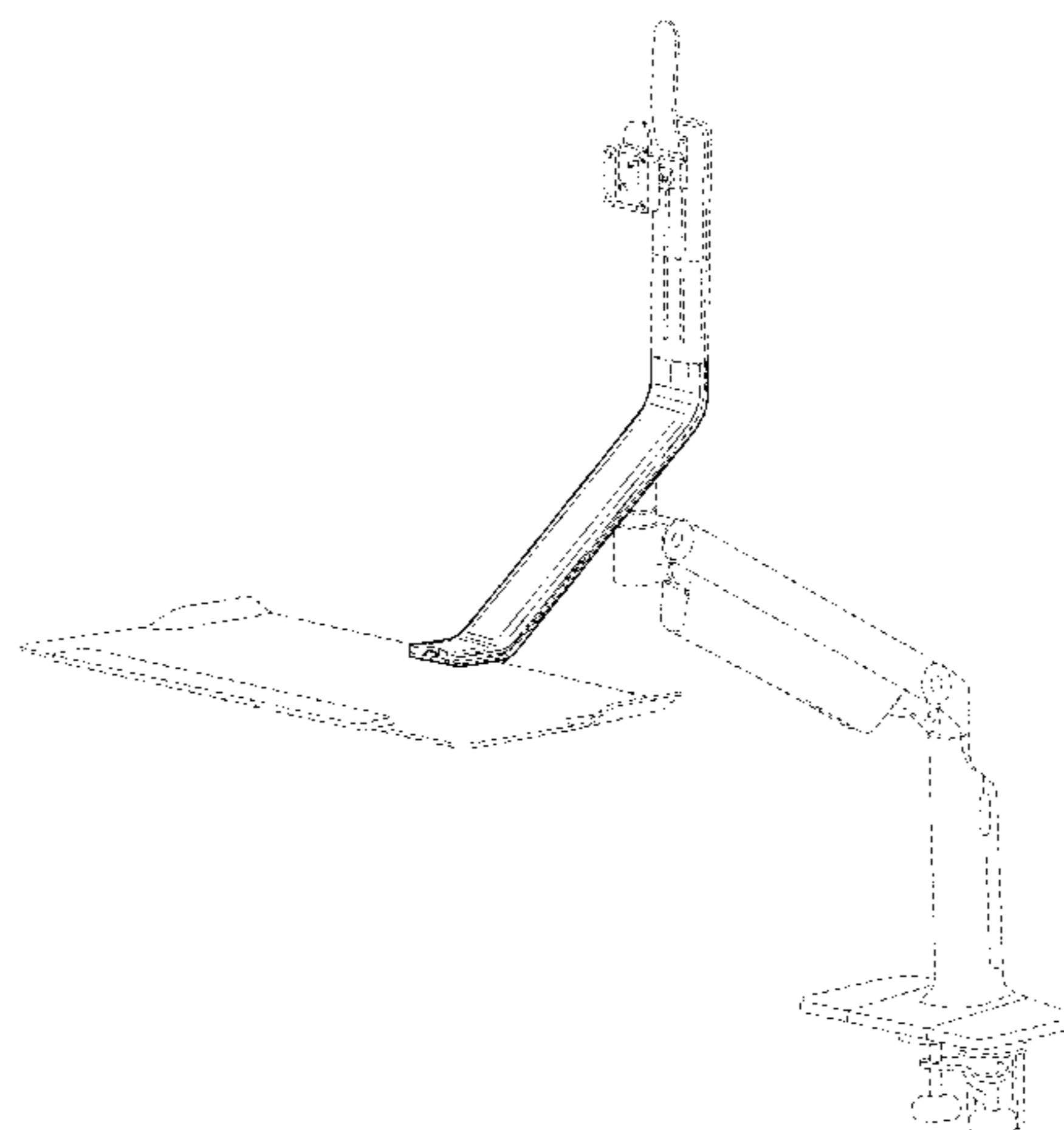
(57) **CLAIM**

We claim The ornamental design for a workstation, as shown and described.

**DESCRIPTION**

FIG. 1 is a top front right perspective view of our new design;  
FIG. 2 is a front view thereof;  
FIG. 3 is a rear view thereof;  
FIG. 4 is a left side view thereof;  
FIG. 5 is a right side view thereof;  
FIG. 6 is a top view thereof; and,  
FIG. 7 is a rear perspective view thereof.  
The views of the workstation not shown form no part of the claimed design. The dash-dash lines in the figures show features that form no part of the claimed design. The dash-dot lines represent unclaimed boundaries of the claimed design.

**1 Claim, 7 Drawing Sheets**



(56)

References Cited

U.S. PATENT DOCUMENTS

D435,107 S 12/2000 Blair  
 D467,094 S 12/2002 Bodzioch  
 D472,403 S 4/2003 Bogish  
 D476,509 S 7/2003 Orsino  
 D486,486 S 2/2004 Jobs  
 D491,747 S 6/2004 Walters  
 D508,917 S \* 8/2005 Wills ..... D14/452  
 D509,826 S 9/2005 Jobs  
 D512,698 S 12/2005 Augenbraun et al.  
 6,994,303 B2 2/2006 Lin  
 D521,996 S 5/2006 Kim  
 D537,323 S 2/2007 Saez  
 D537,656 S 3/2007 Stenhouse  
 7,207,537 B2 \* 4/2007 Hung ..... F16M 11/10  
 248/274.1  
 D542,297 S 5/2007 Hung  
 7,252,277 B2 8/2007 Sweere  
 7,338,022 B2 3/2008 Hung  
 D584,734 S 1/2009 Chu  
 D587,257 S 2/2009 Morello  
 D597,266 S 7/2009 Simpson  
 D608,771 S 1/2010 Hsu  
 7,677,518 B2 3/2010 Chouinard et al.  
 7,694,927 B2 4/2010 Chuang  
 D624,083 S 9/2010 Scheper et al.  
 D624,084 S 9/2010 Scheper et al.  
 D627,474 S 11/2010 Nordgren  
 D631,052 S 1/2011 Hung  
 D643,042 S 8/2011 Saelid  
 D654,503 S 2/2012 Sapper  
 D655,532 S 3/2012 Saelid  
 D668,256 S \* 10/2012 Matteo ..... D14/447  
 D668,257 S \* 10/2012 Tsai ..... D14/452  
 D685,806 S 7/2013 Kim et al.  
 D690,306 S 9/2013 Malisse  
 8,591,349 B1 11/2013 Jones  
 8,720,838 B2 5/2014 Bowman  
 D707,209 S 6/2014 Ranaletta  
 D709,896 S 7/2014 McKinstry  
 8,839,723 B2 9/2014 Hazzard et al.  
 D714,775 S 10/2014 Yoo  
 D715,938 S 10/2014 Li et al.  
 D724,072 S 3/2015 Jiang  
 8,998,784 B1 4/2015 Sloan  
 9,080,721 B2 7/2015 Hazzard et al.  
 D735,727 S 8/2015 Dugger  
 D740,830 S 10/2015 Chu  
 D745,873 S 12/2015 Xiang et al.  
 9,267,639 B2 2/2016 Sweere et al.  
 D751,565 S 3/2016 Gross

D758,375 S 6/2016 Won et al.  
 9,400,083 B2 7/2016 Sapper et al.  
 D769,881 S 10/2016 Lazzi et al.  
 D778,645 S 2/2017 Merritt  
 D778,653 S 2/2017 Spoelhof  
 D787,522 S 5/2017 Lee  
 D790,868 S 7/2017 Gorman  
 D792,419 S \* 7/2017 Shen ..... D14/452  
 D799,869 S 10/2017 Yoo  
 9,775,431 B2 10/2017 Abernethy  
 D812,066 S \* 3/2018 Lazzi ..... D14/447  
 2005/0284991 A1 12/2005 Saez  
 2006/0141434 A1 6/2006 Moran, Jr.  
 2008/0176716 A1 7/2008 Boren  
 2008/0315048 A1 12/2008 Sakata  
 2011/0147546 A1 6/2011 Monsalve et al.  
 2011/0260017 A1 10/2011 Monsalve et al.  
 2011/0315843 A1 12/2011 Hung  
 2012/0119040 A1 5/2012 Ergun et al.  
 2012/0187056 A1 7/2012 Hazzard  
 2013/0126682 A1 5/2013 Tholkes et al.  
 2014/0121039 A1 5/2014 Robinson  
 2014/0121073 A1 5/2014 Hardy  
 2014/0137773 A1 5/2014 Mandel et al.  
 2016/0008070 A1 1/2016 Choudhury  
 2017/0051865 A1 2/2017 Chen  
 2018/0020825 A1 1/2018 Hung

OTHER PUBLICATIONS

M8 Monitor Arm Brochure, Humanscale, known at least as early as Dec. 21, 2016, 4 pgs.  
 Dell Monitor Stand User's Guide (USB 3.0 Dock MKS14), Aug. 2015, 23 pgs.  
 Ergotron DS100 Quad-Monitor Desk Stand, <http://ergotron.com/ProductsDetails/tabid/65/PRDID/196/language/en-US/Default.aspx>, known at least as early as Jun. 7, 2016, 2 pgs.  
 Humanscale's Quickstand Workstation, <http://www.humanscale.com/products/product.cfm?group=quickstand>, known at least as early as Jun. 7, 2016, 3 pgs.  
 YouTube, <URL:<https://www.youtube.com/watch?v=kY3zIRz-ZKY>> Aug. 1, 2016, HumanScale Quick Stand, 2 pgs.  
 Office Depot & OfficeMax. <URL:<http://www.officedepot.com/catalog/search.do?Ntt=302938'/OEPABPABDWorkFir/oEPABPABDS%EP/oBP/013Display/OEP/OBF%BDStand.>> Feb. 2, 2016. Ergotron WorkFit S Display Stand, 2 pgs.  
 Amazon.<URL:[https://www.amazon.com/dp/BOOBRBX3DM/ref=asc\\_df\\_BOOBRBX3DM5102834/?tag=hyprod/OC2cYOAD2O&creative=394997&creativeASIN=BOOBRX3DM&linkCode=OE2'/080%A6.>](https://www.amazon.com/dp/BOOBRBX3DM/ref=asc_df_BOOBRBX3DM5102834/?tag=hyprod/OC2cYOAD2O&creative=394997&creativeASIN=BOOBRX3DM&linkCode=OE2'/080%A6.>)Mar. 29, 2013, Ergotron Mounting Arm, 9 pgs.

\* cited by examiner

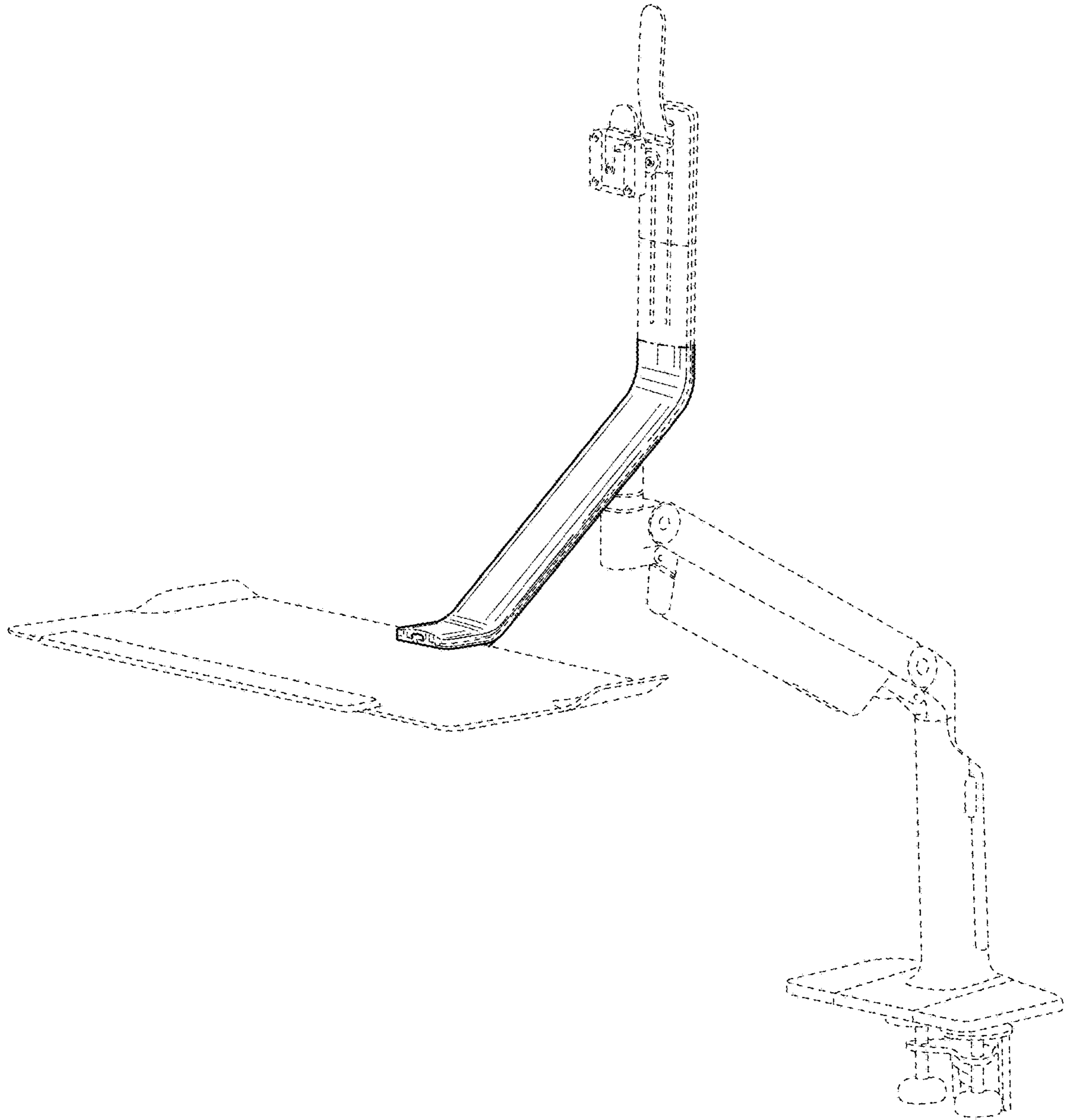


FIG. 1

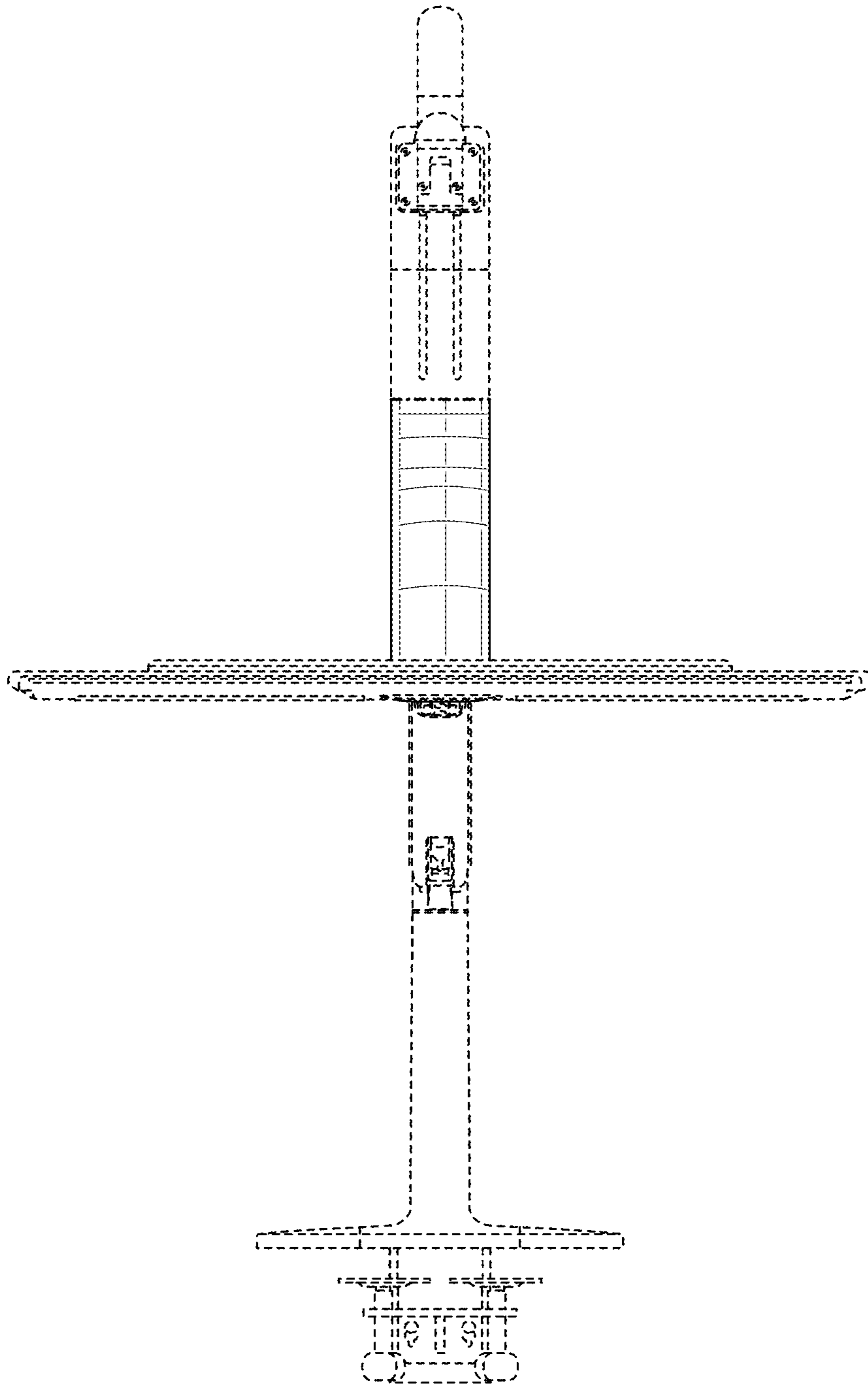


FIG. 2

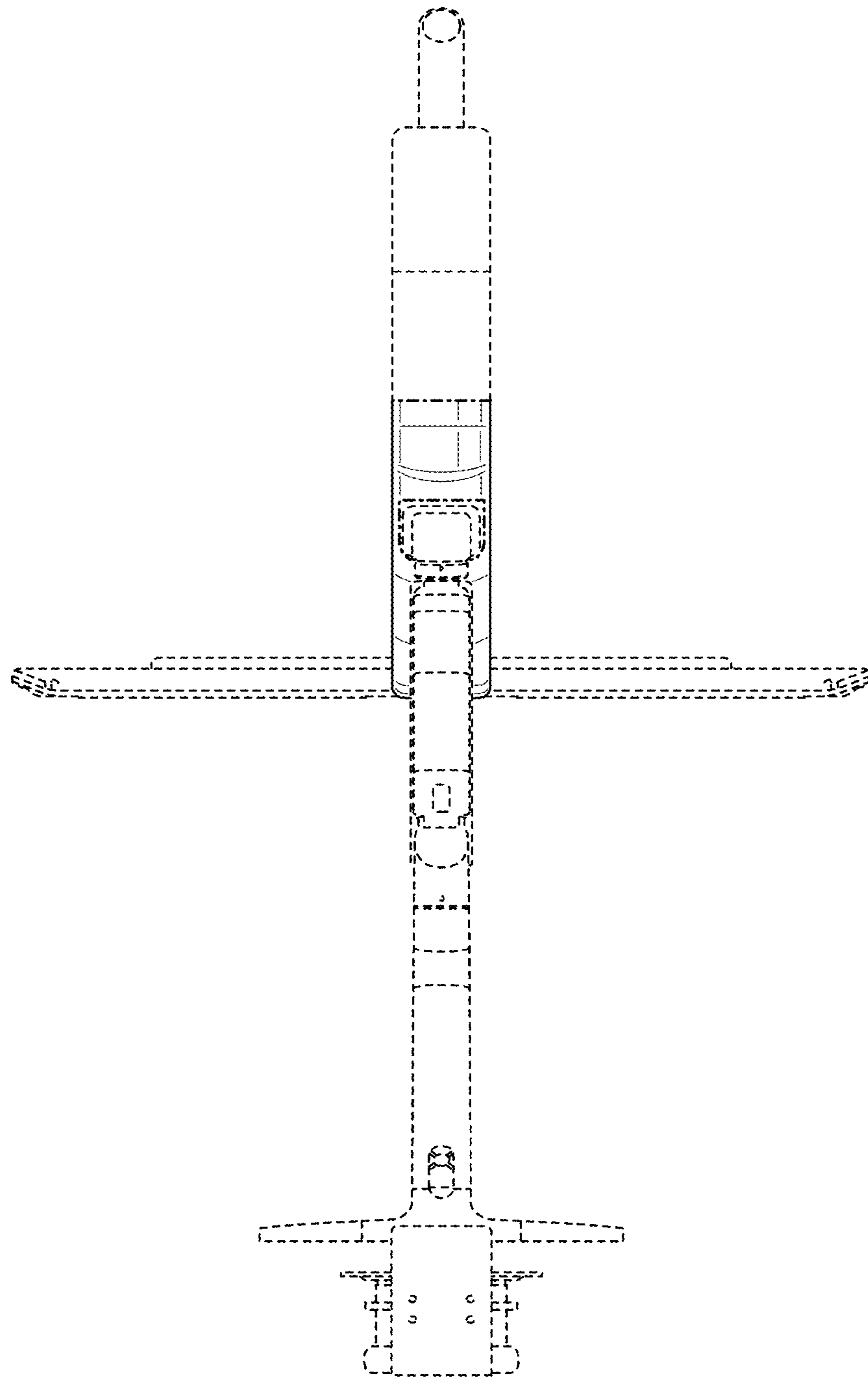


FIG. 3

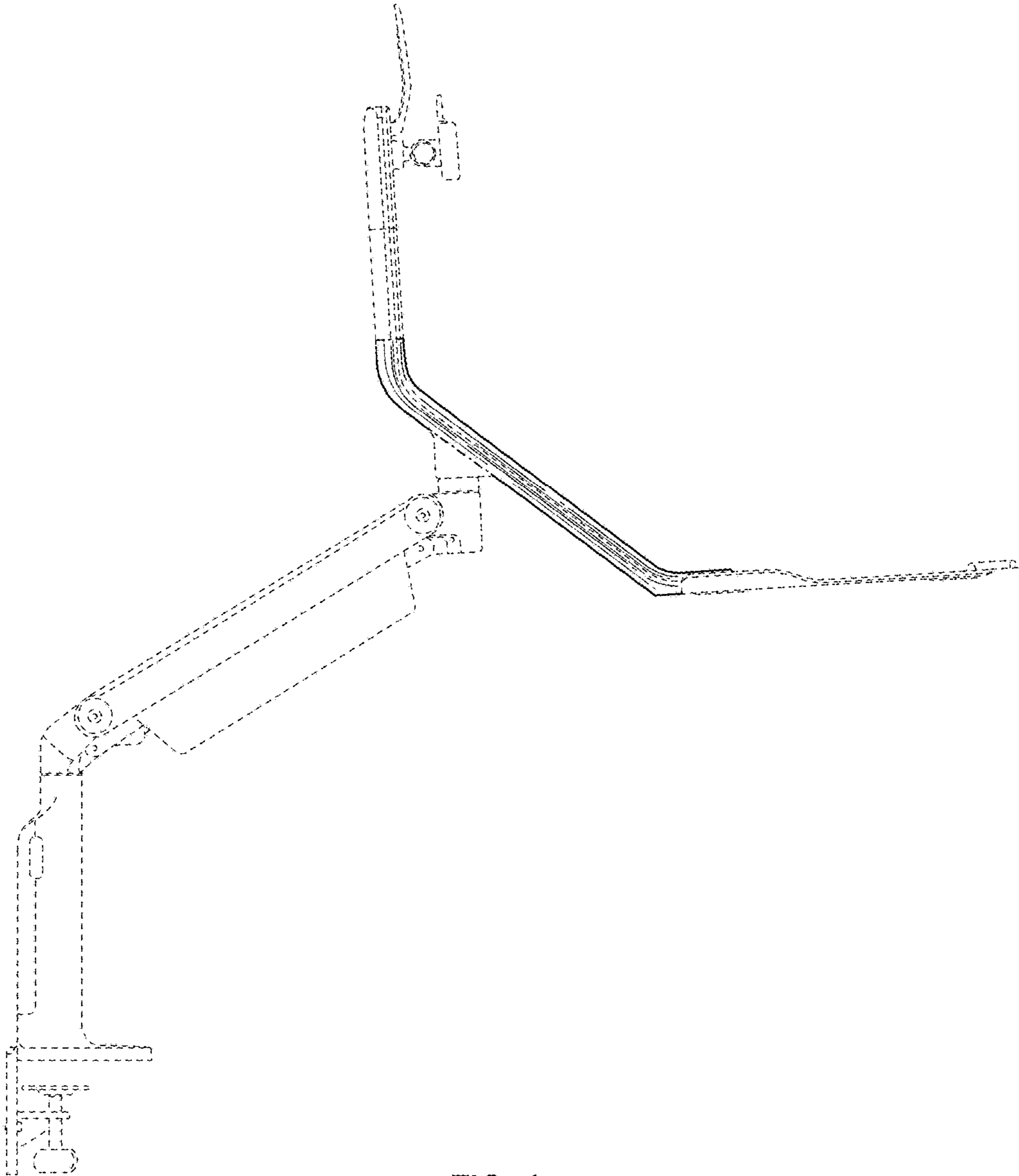


FIG. 4

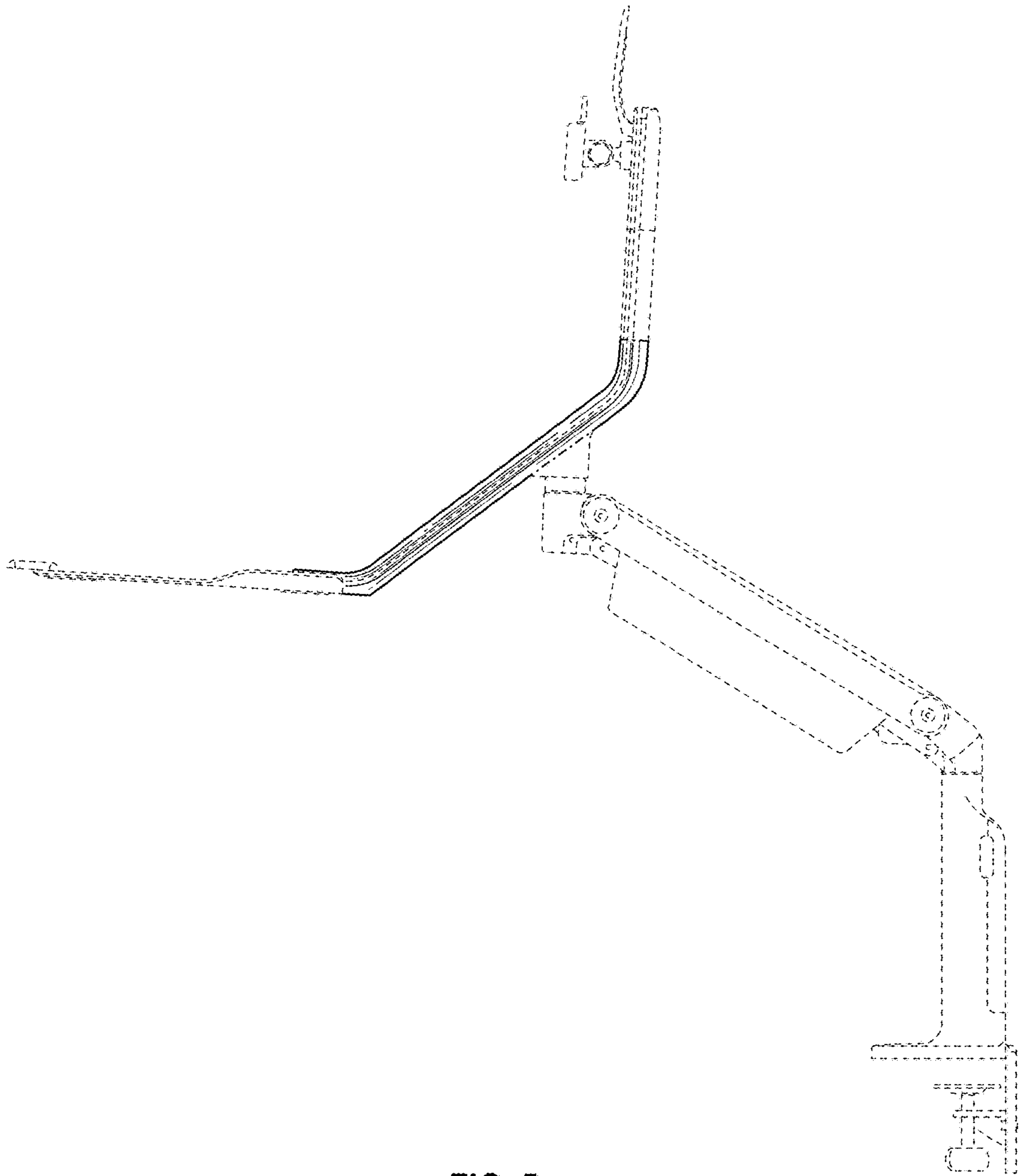


FIG. 5

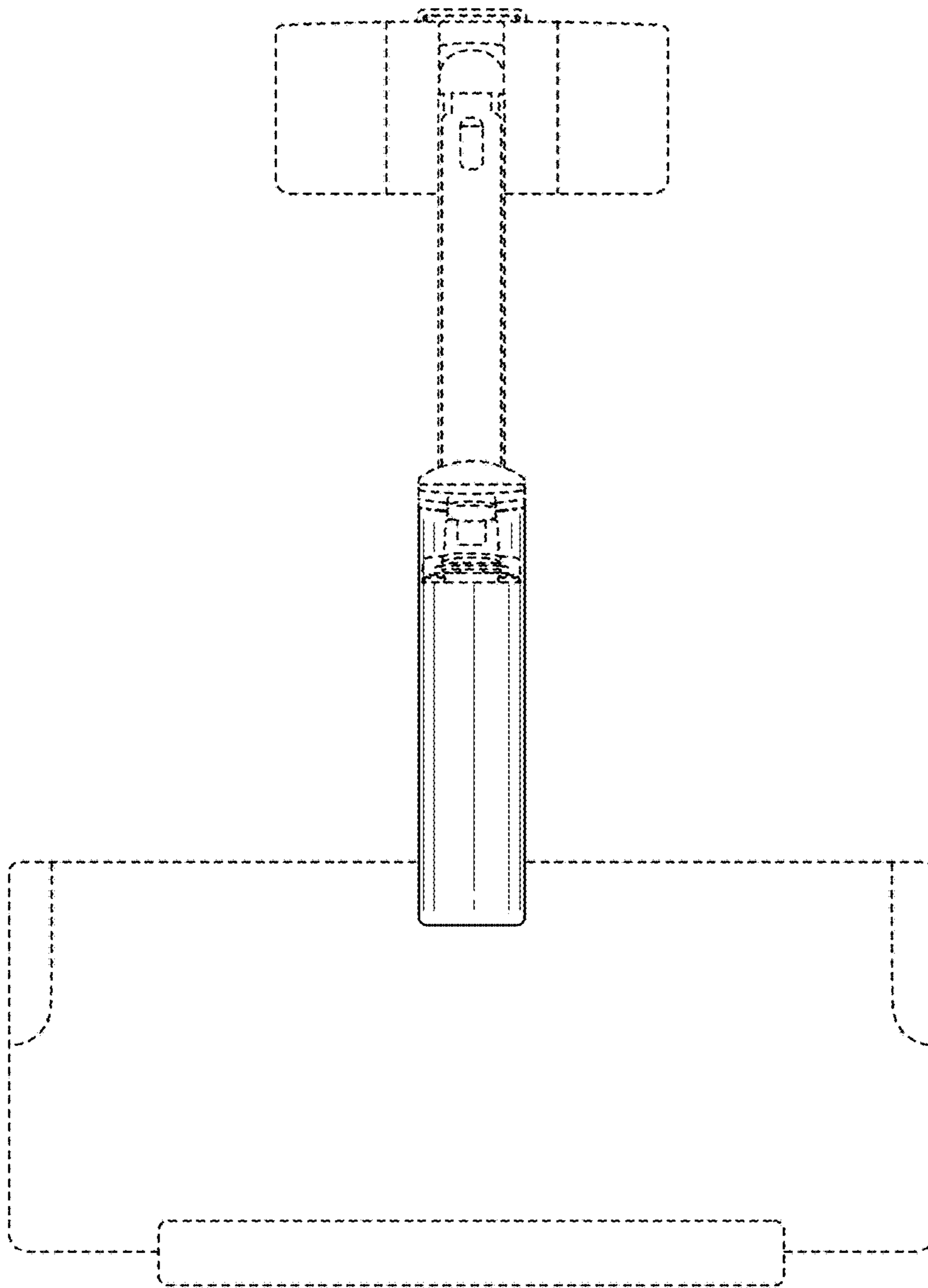


FIG. 6



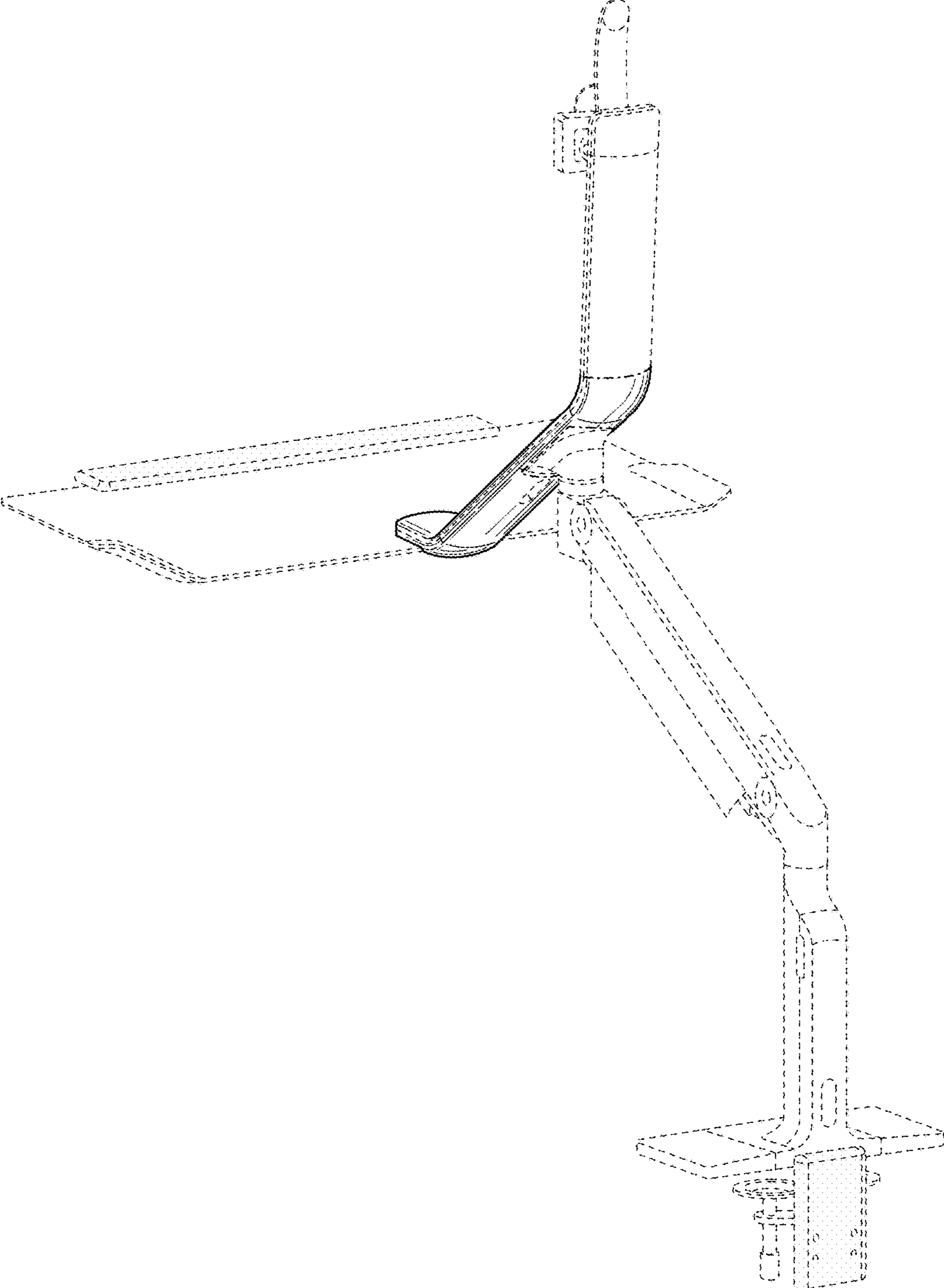


FIG. 7