



US00D835112S

(12) **United States Design Patent** (10) **Patent No.:** **US D835,112 S**
Kim (45) **Date of Patent:** **** Dec. 4, 2018**

(54) **CRADLE FOR MOBILE DEVICE**
(71) Applicant: **Kum Oh Electronics CO., LTD.**,
Bucheon-si (KR)
(72) Inventor: **Ki Sang Kim**, Bucheon-si (KR)
(73) Assignee: **KUM OH ELECTRONICS CO., LTD.**,
Bucheon-si (KR)
(**) Term: **15 Years**

D654,120 S * 2/2012 Lin D14/434
D690,306 S * 9/2013 Malisse D14/447
D702,244 S * 4/2014 Seo D14/451
D715,132 S * 10/2014 McSweyn D8/363
D733,156 S * 6/2015 Choi D14/447
D733,157 S * 6/2015 Kim D14/447
D749,080 S * 2/2016 Su D14/447
D762,650 S * 8/2016 Dang D14/434
D771,614 S * 11/2016 Chang D14/253
D772,739 S * 11/2016 Browning D10/74
D776,668 S * 1/2017 Wallace D14/451

* cited by examiner

(21) Appl. No.: **29/590,856**
(22) Filed: **Jan. 13, 2017**
(51) **LOC (11) Cl.** **08-07**
(52) **U.S. Cl.**
USPC **D14/447**
(58) **Field of Classification Search**
USPC D14/447, 432, 434, 439, 440, 451, 452,
D14/457, 239; D8/363, 373, 380;
D6/406.3, 406.4, 406.5, 406.6; D12/415
CPC A47B 21/04; A47B 2097/006; A47B
2097/005; A47B 2023/049; A45C
2011/002; A45C 2011/003; F16M
2200/00; F16M 13/00
See application file for complete search history.

Primary Examiner — Angela J Lee
(74) *Attorney, Agent, or Firm* — Cantor Colburn LLP

(57) **CLAIM**

The ornamental design for a cradle for mobile device, as shown and described.

DESCRIPTION

FIG. 1 is a perspective view of a cradle for mobile device showing my new design;
FIG. 2 is a front elevational view thereof;
FIG. 3 is a rear elevational view thereof;
FIG. 4 is a left side elevational view thereof;
FIG. 5 is a right side elevational view thereof;
FIG. 6 is a top plan view thereof; and,
FIG. 7 is a bottom plan view thereof.
The broken lines are included for illustrative purposes only and form no part of the claimed design.

(56) **References Cited**
U.S. PATENT DOCUMENTS
D560,592 S * 1/2008 Brassard D12/415
D654,119 S * 2/2012 Lin D14/434

1 Claim, 7 Drawing Sheets

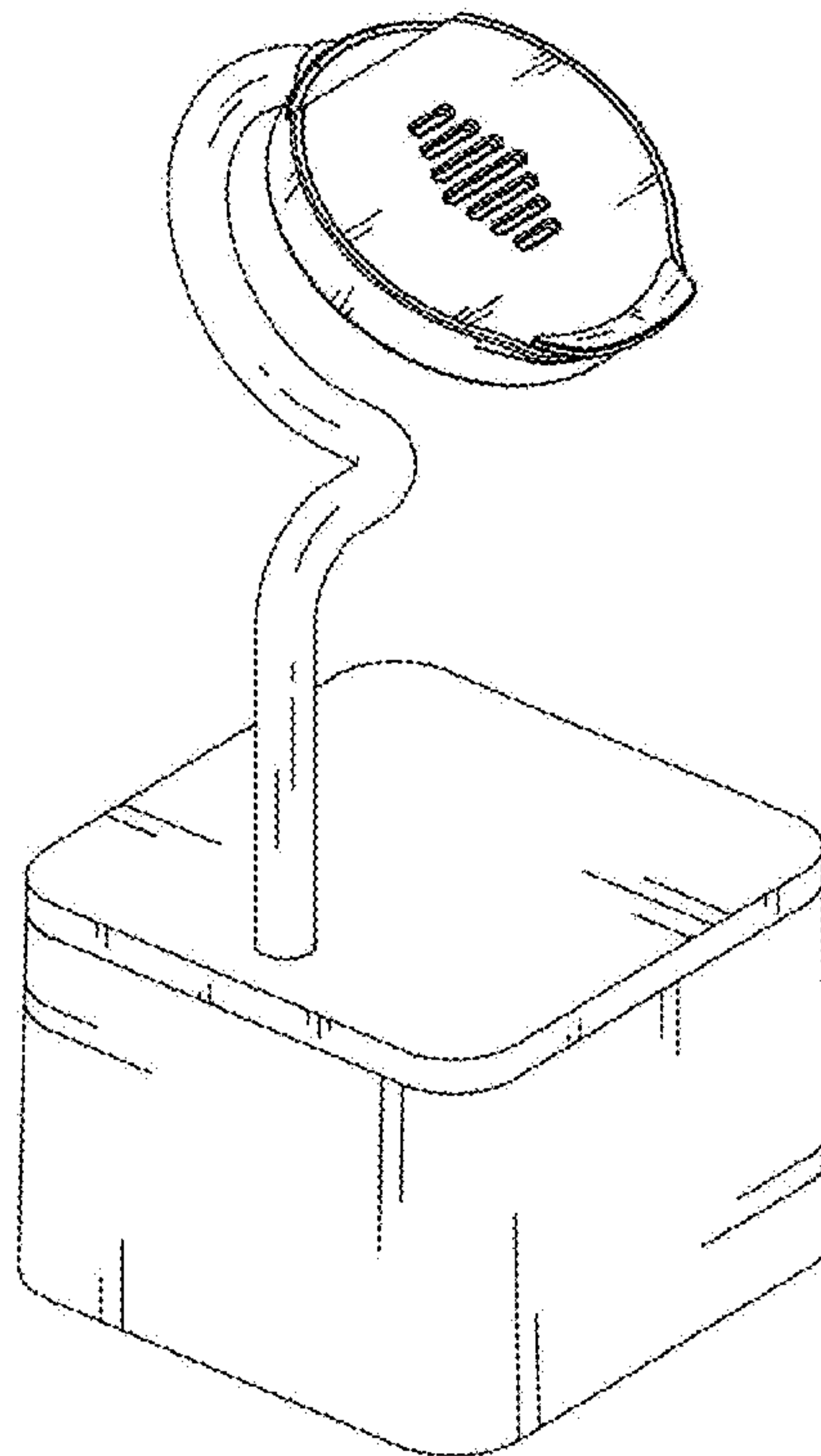


FIG. 1

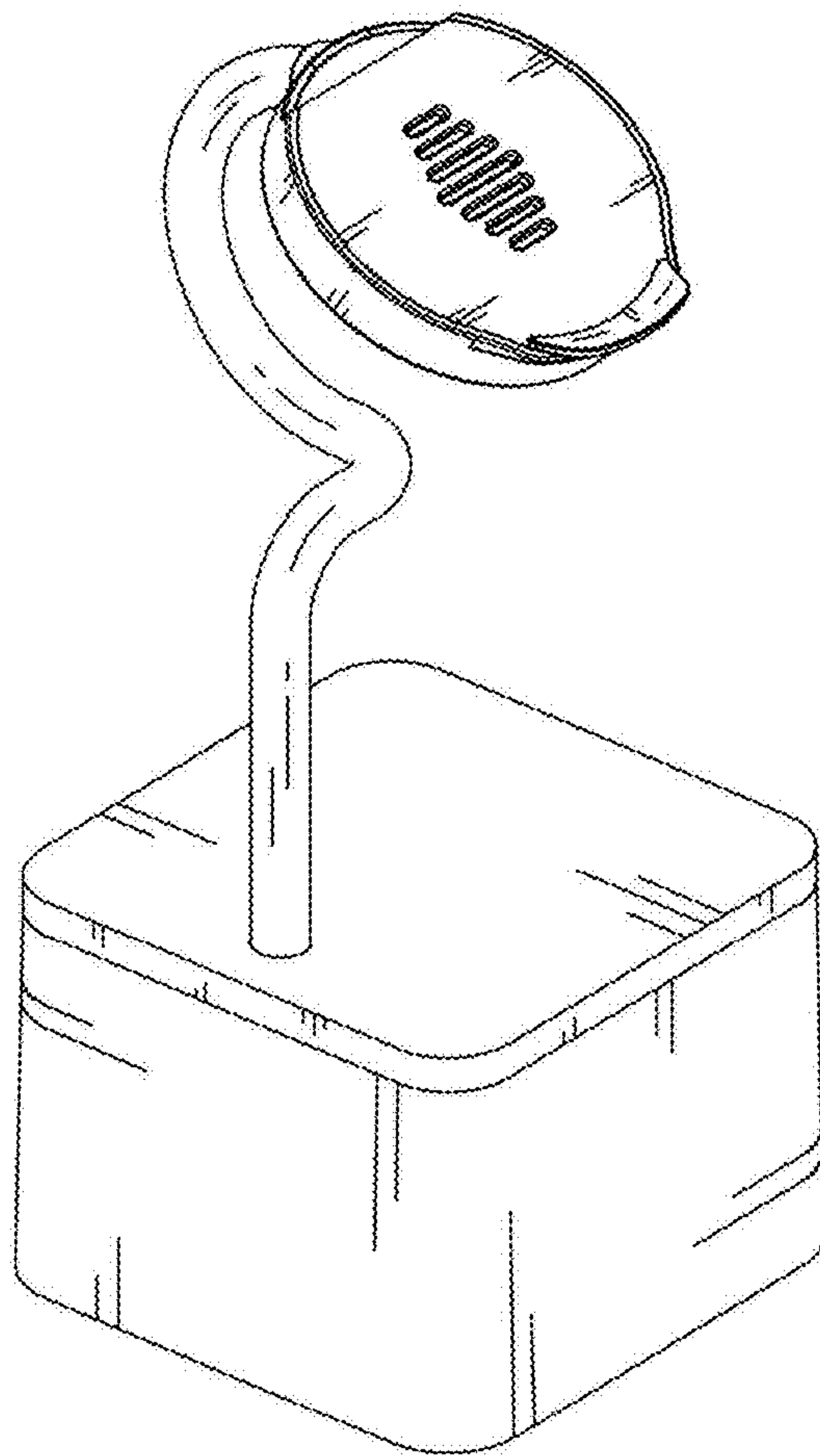


FIG. 2

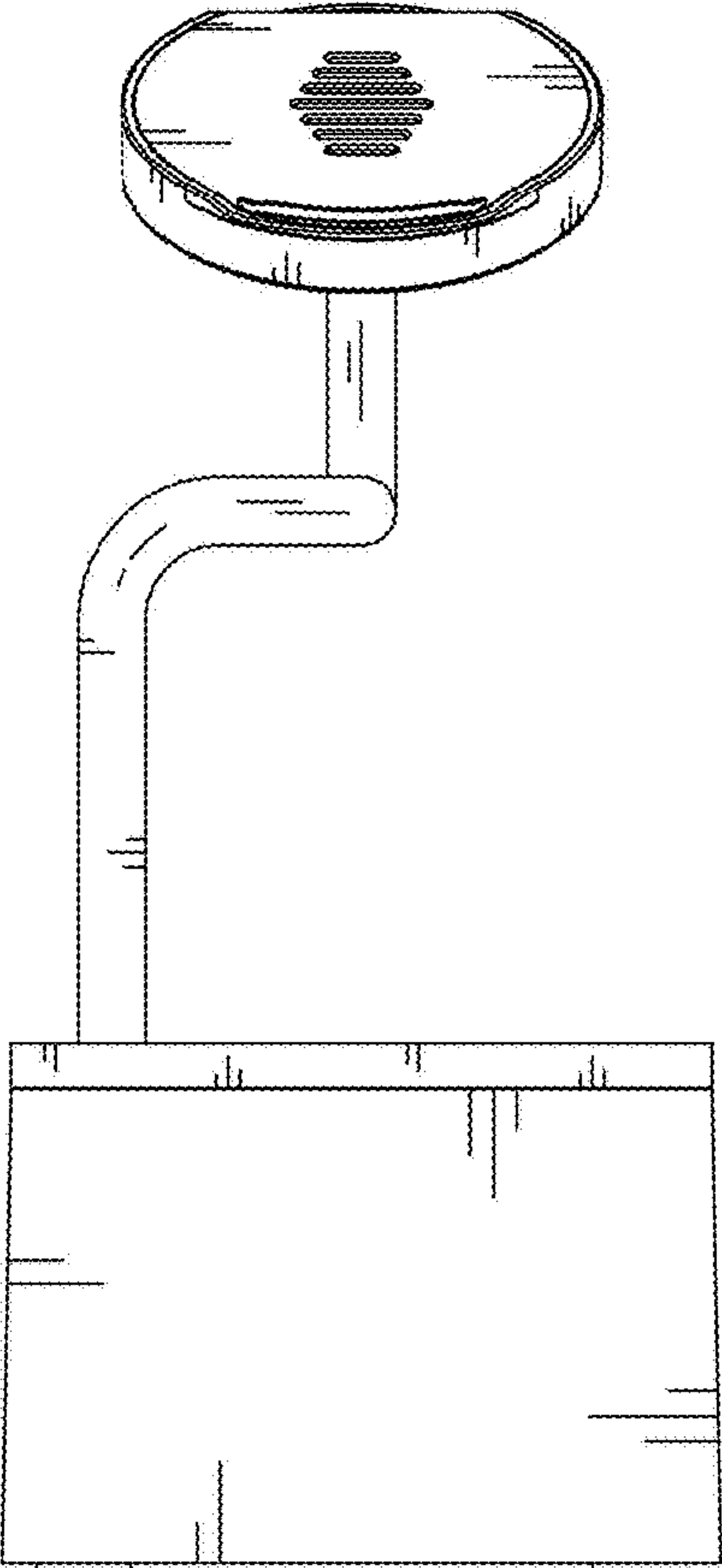


FIG. 3

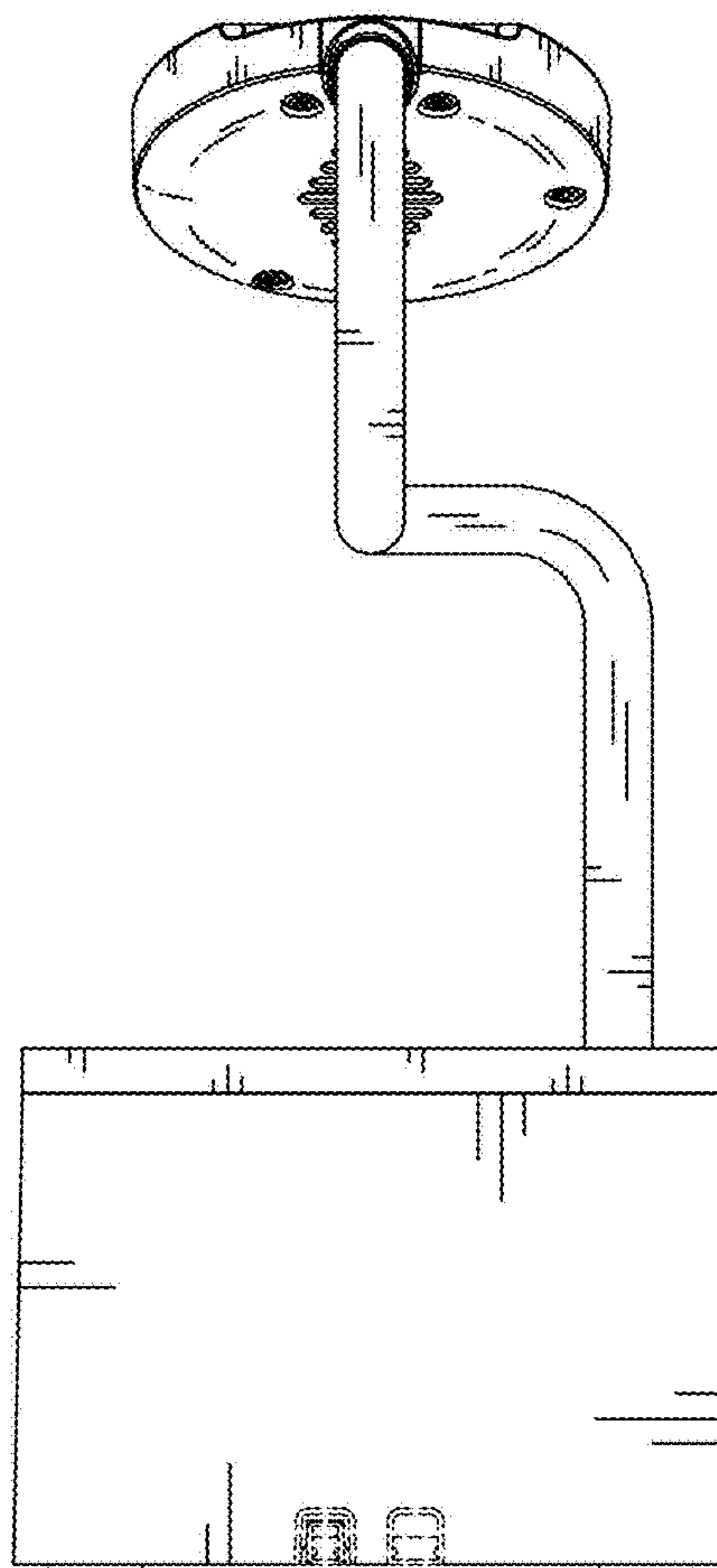


FIG. 4

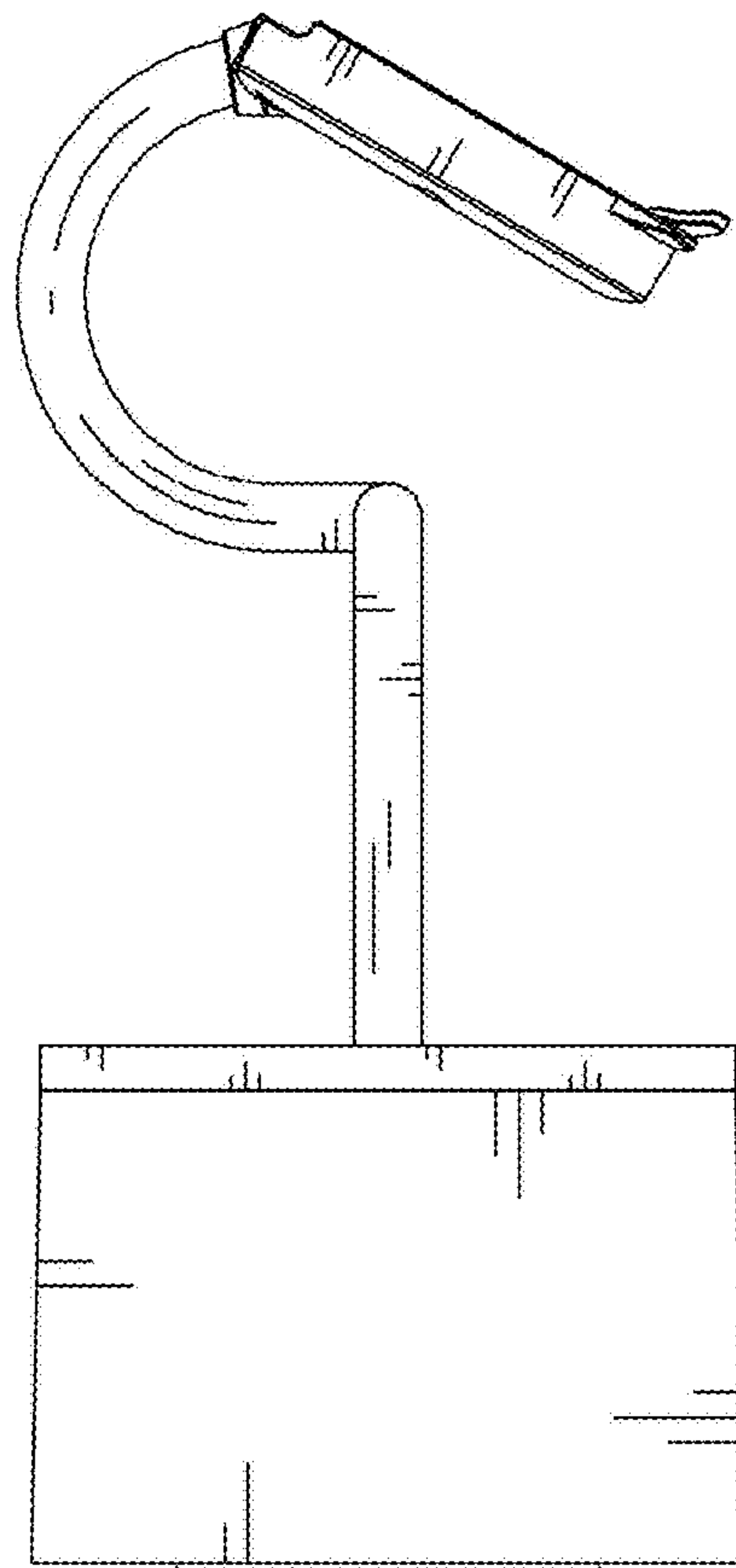


FIG. 5

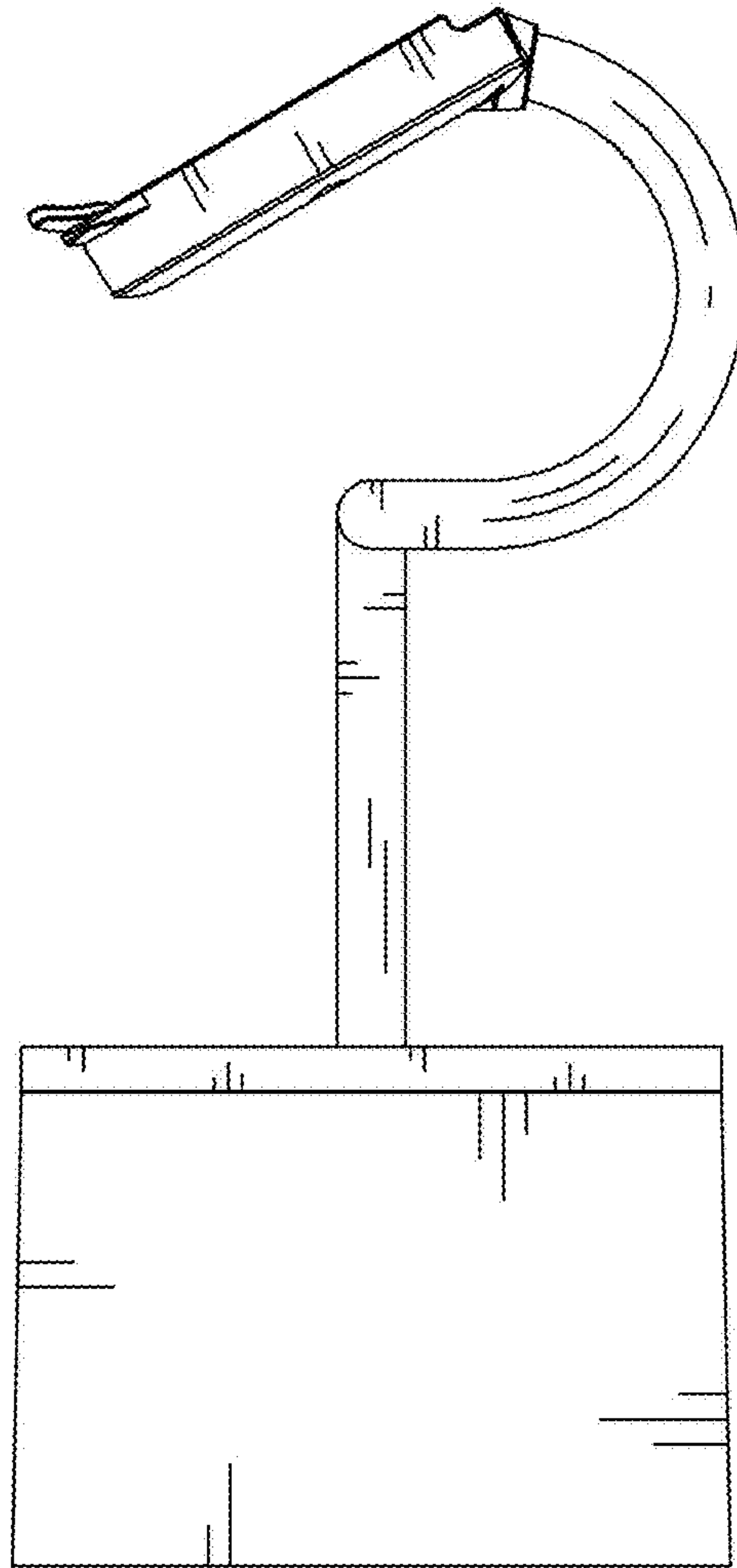


FIG. 6

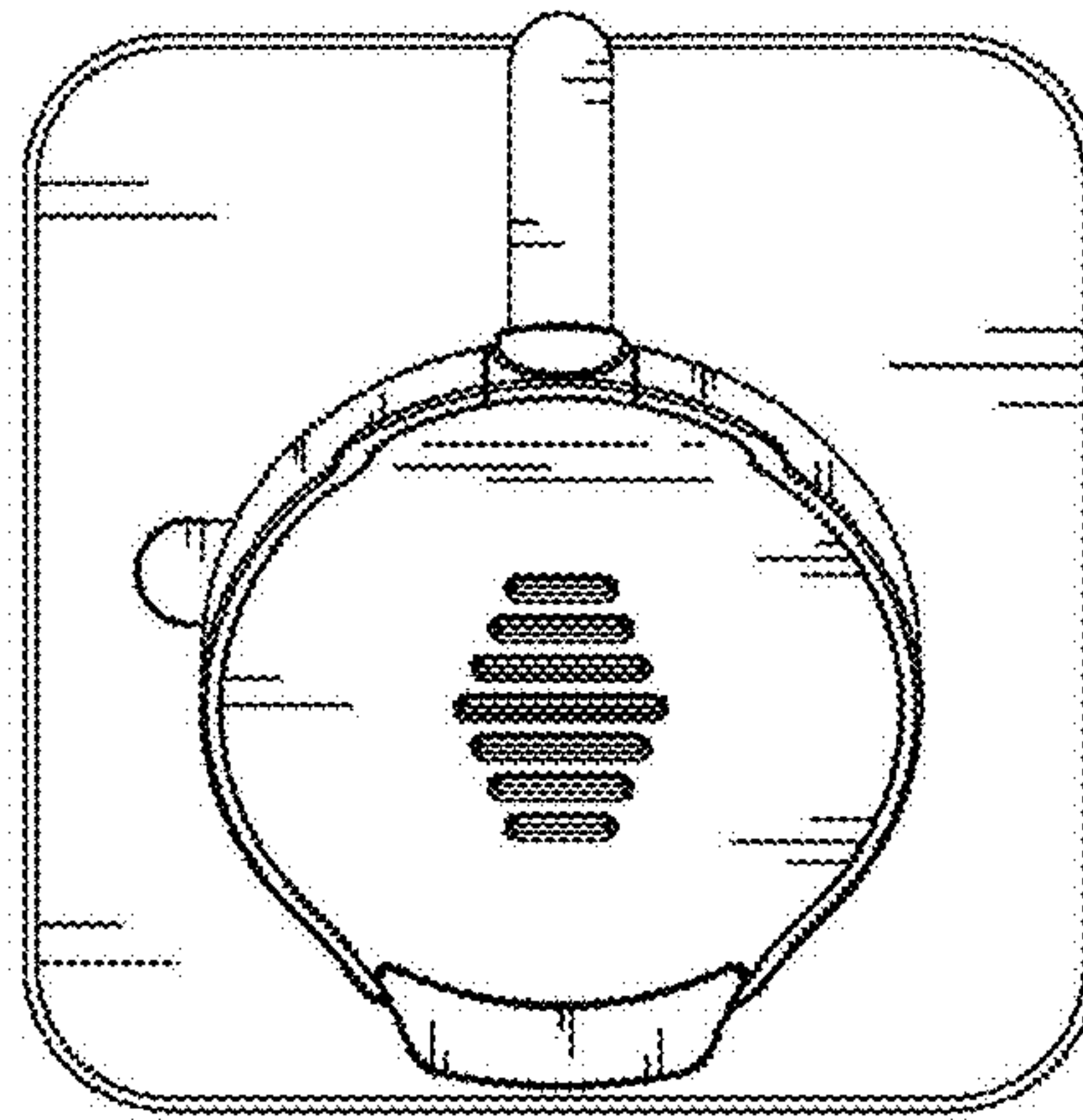


FIG. 7

