



US00D835110S

(12) **United States Design Patent** (10) **Patent No.:** **US D835,110 S**
Smith (45) **Date of Patent:** **** Dec. 4, 2018**

(54) **HOUSING FOR AN ELECTRONICS MODULE**

(71) Applicant: **Surfsafe Pty Ltd**, Osborne Park,
Western Australia (AU)

(72) Inventor: **David Smith**, Duncraig (AU)

(73) Assignee: **Surfsafe Pty Ltd**, Osborne Park,
Western Australia (AU)

(**) Term: **15 Years**

(21) Appl. No.: **29/588,881**

(22) Filed: **Dec. 23, 2016**

(51) **LOC (11) Cl.** **14-02**

(52) **U.S. Cl.**
USPC **D14/439**

(58) **Field of Classification Search**
USPC D14/432, 433, 358, 253, 250, 251, 439
CPC H01M 10/44
See application file for complete search history.

(56) **References Cited**

U.S. PATENT DOCUMENTS

D465,486 S * 11/2002 Lee D14/341
7,957,121 B1 * 6/2011 Nichols H02B 1/056
361/627

D672,752 S * 12/2012 Shimizu D14/217
D704,193 S * 5/2014 Monreal D14/439
D714,789 S * 10/2014 Chen D14/432
D779,459 S * 2/2017 Schlossberg D14/218
D795,260 S * 8/2017 Schlossberg D14/432

* cited by examiner

Primary Examiner — Cynthia R Underwood
(74) *Attorney, Agent, or Firm* — Suzannah K. Sundby,
Esq.; Canady + Lortz LLP

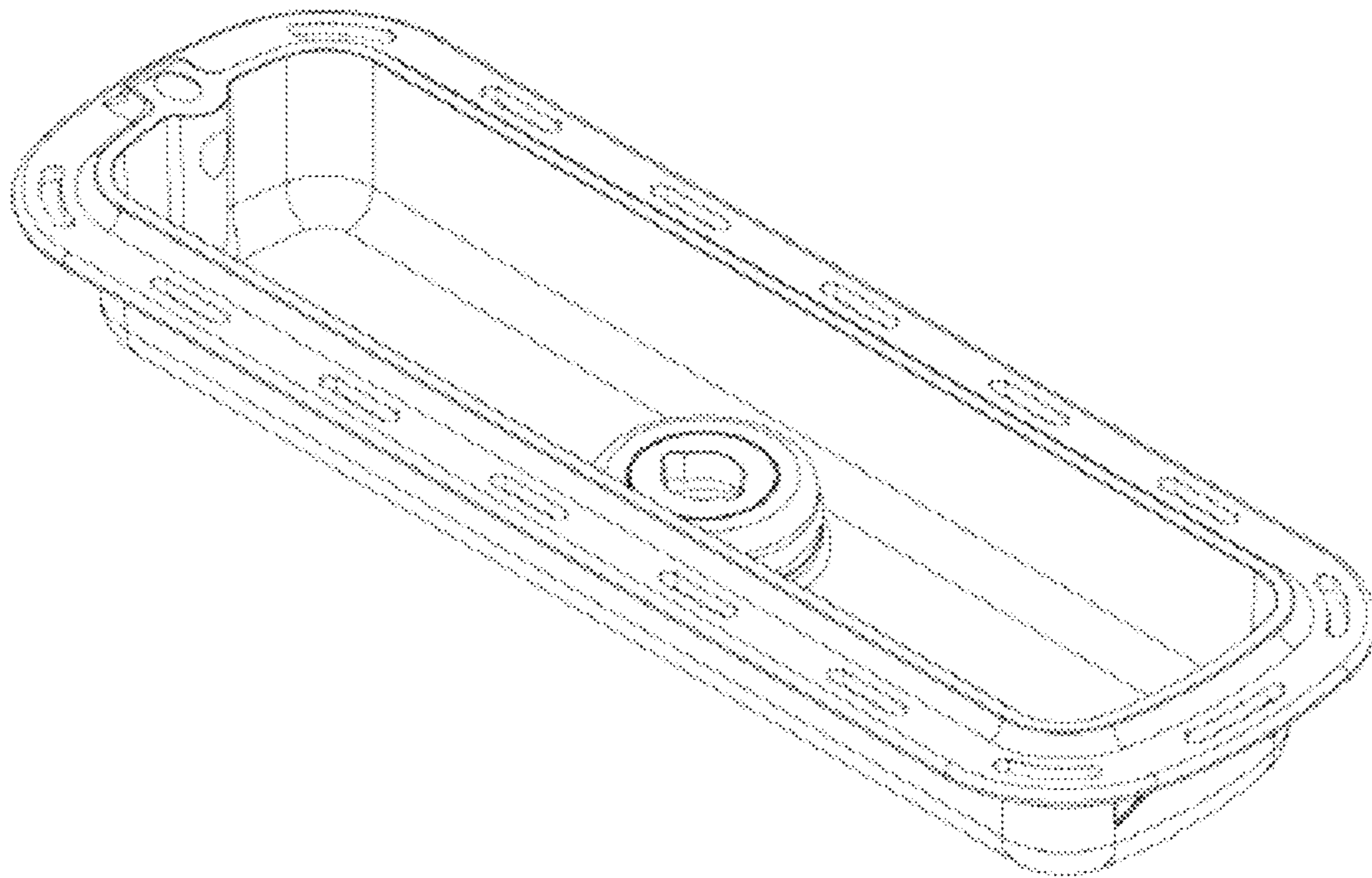
(57) **CLAIM**

The ornamental design for a housing for an electronics module, as shown and described.

DESCRIPTION

FIG. 1 is a left side view of a housing for an electronics module showing my new design;
FIG. 2 is a right side view thereof;
FIG. 3 is a front view thereof;
FIG. 4 is a rear view thereof;
FIG. 5 is a front bottom perspective view thereof;
FIG. 6 is a rear bottom perspective view thereof;
FIG. 7 is a front top perspective view thereof;
FIG. 8 is a rear top perspective view thereof;
FIG. 9 is a top view thereof; and,
FIG. 10 is a bottom view thereof.

1 Claim, 4 Drawing Sheets



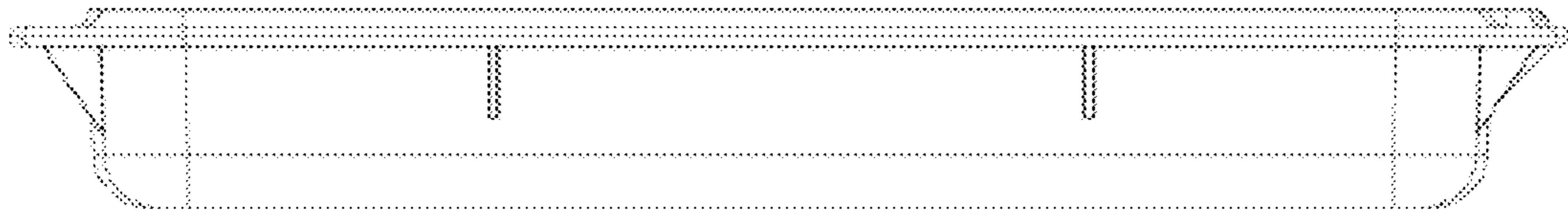


FIG. 1

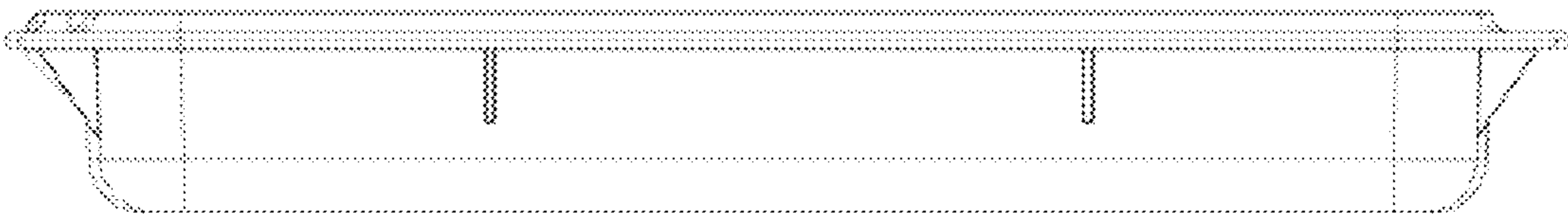


FIG. 2

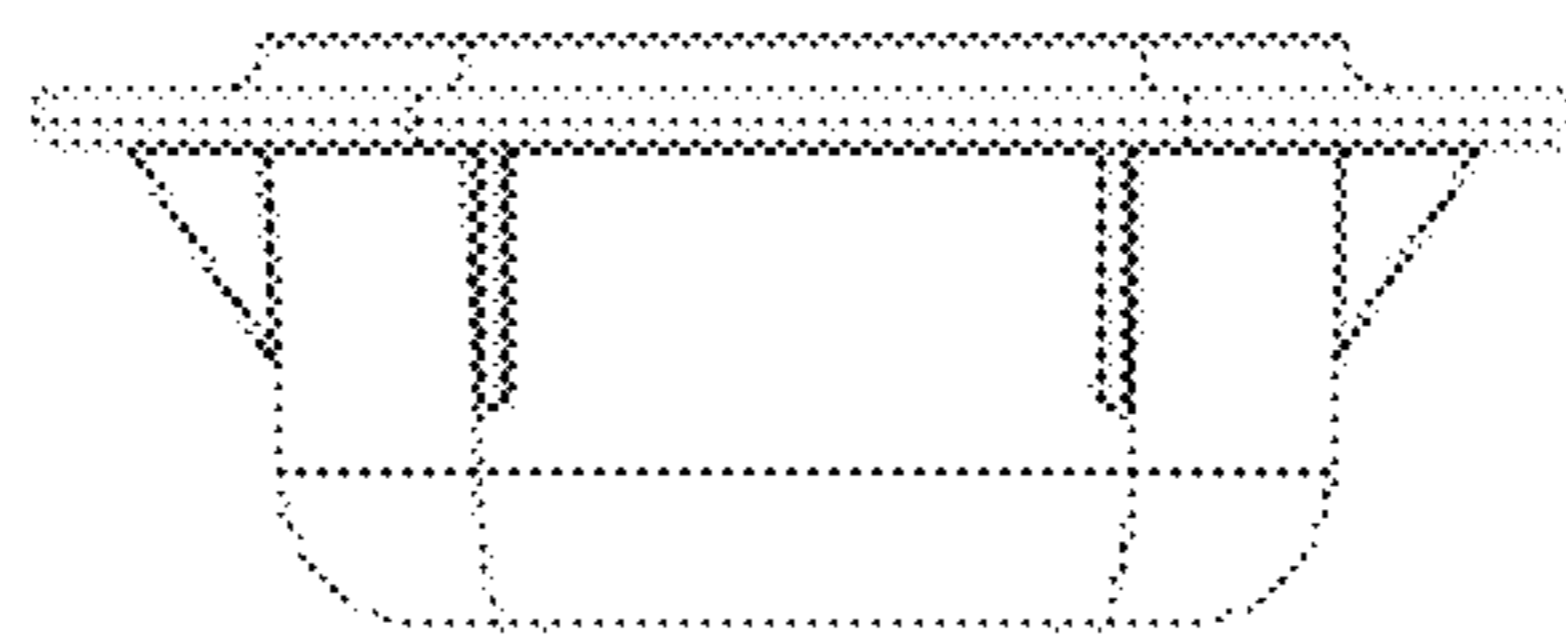


FIG. 3

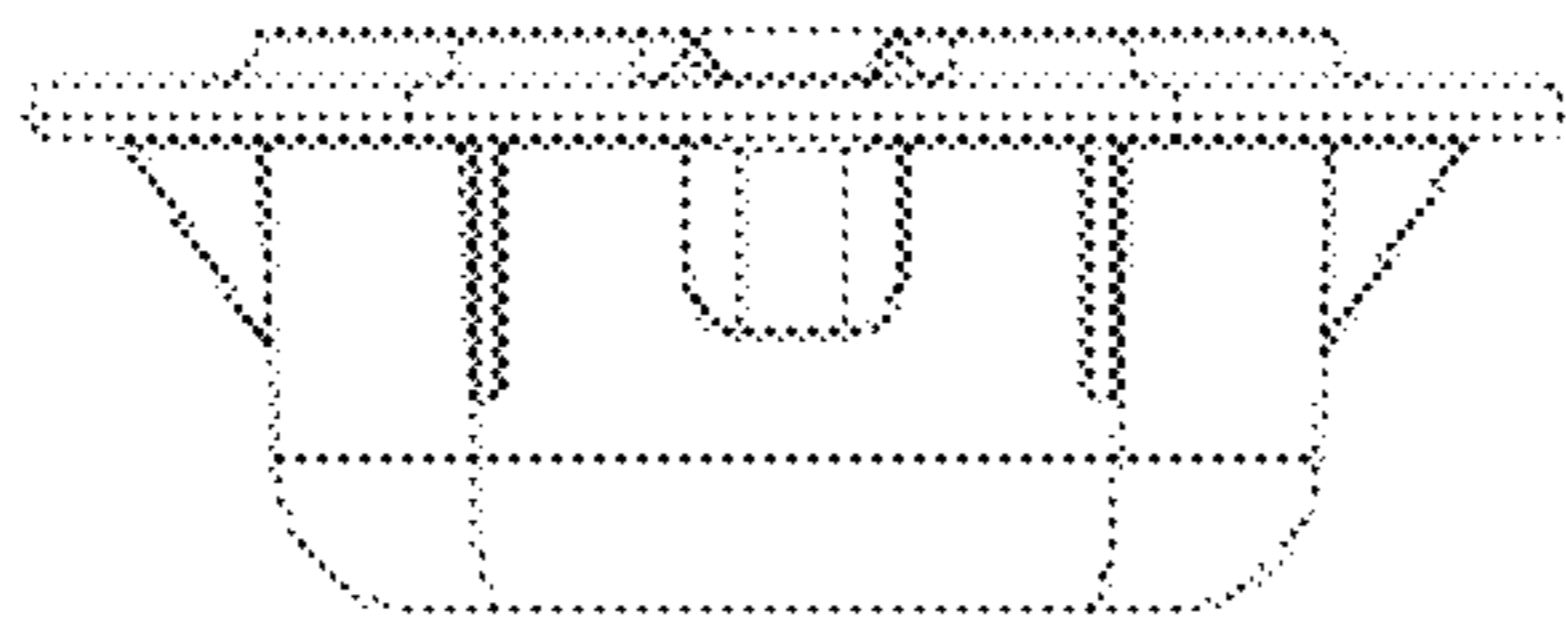


FIG. 4

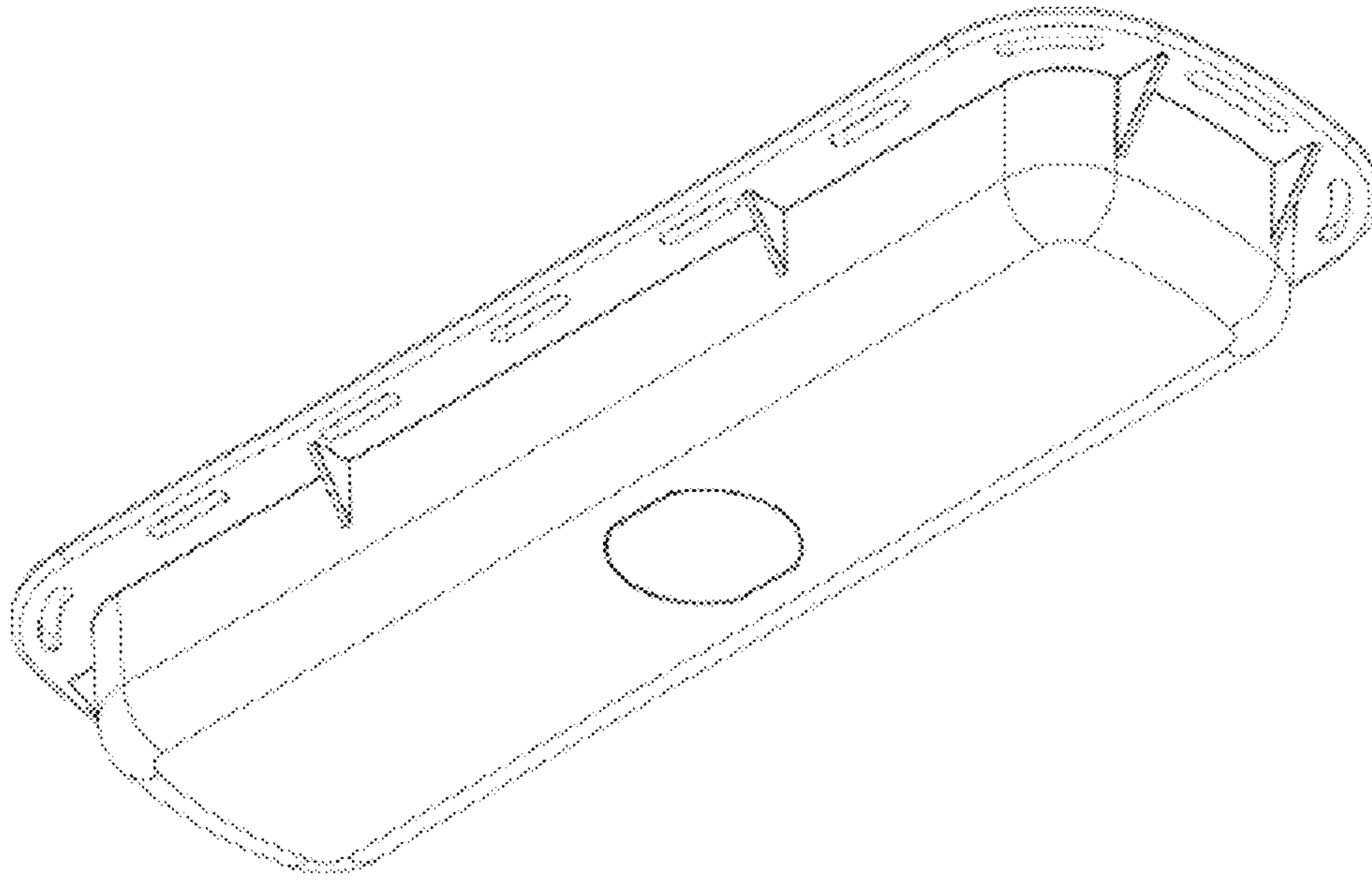


FIG. 5

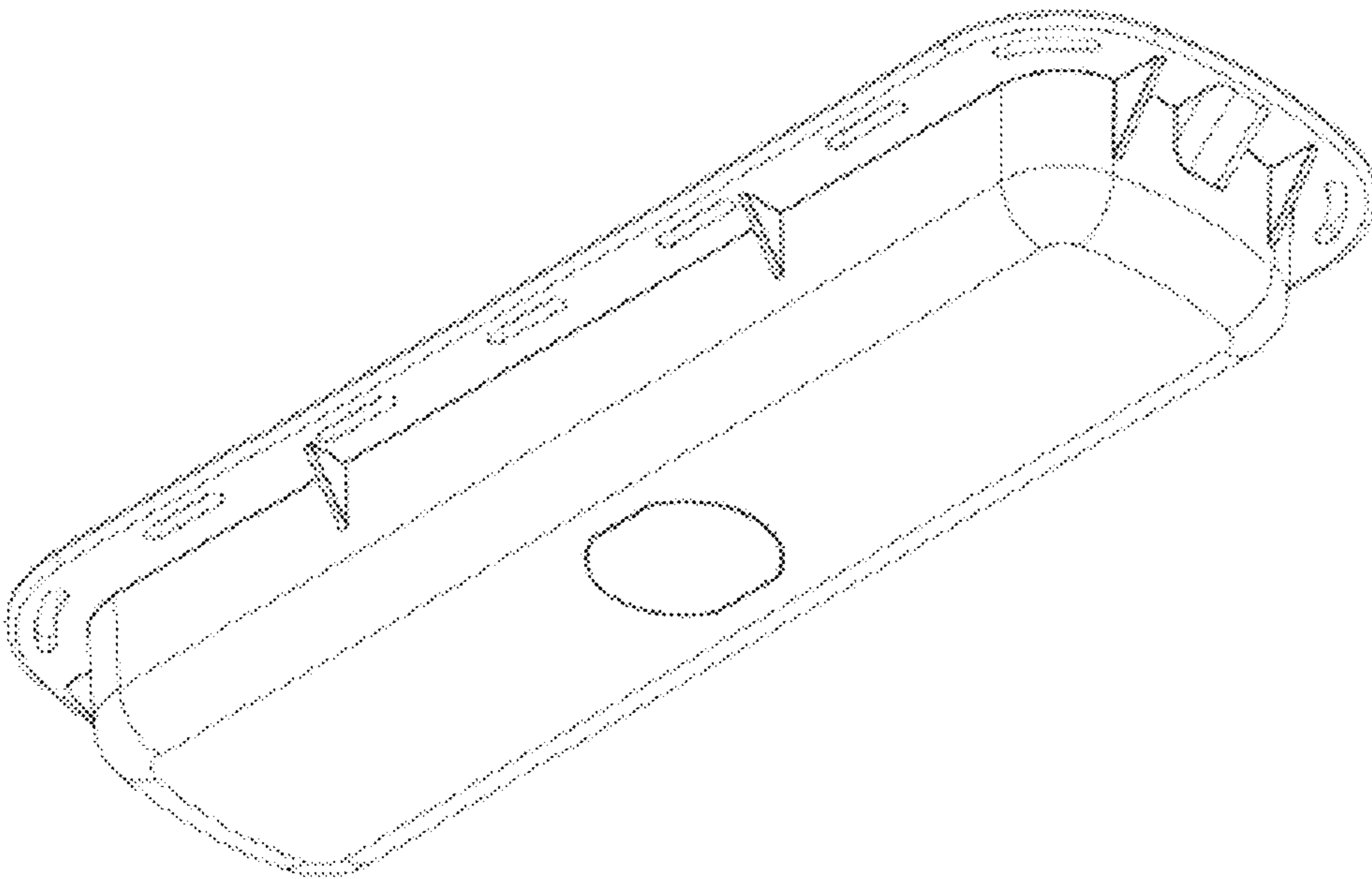


FIG. 6

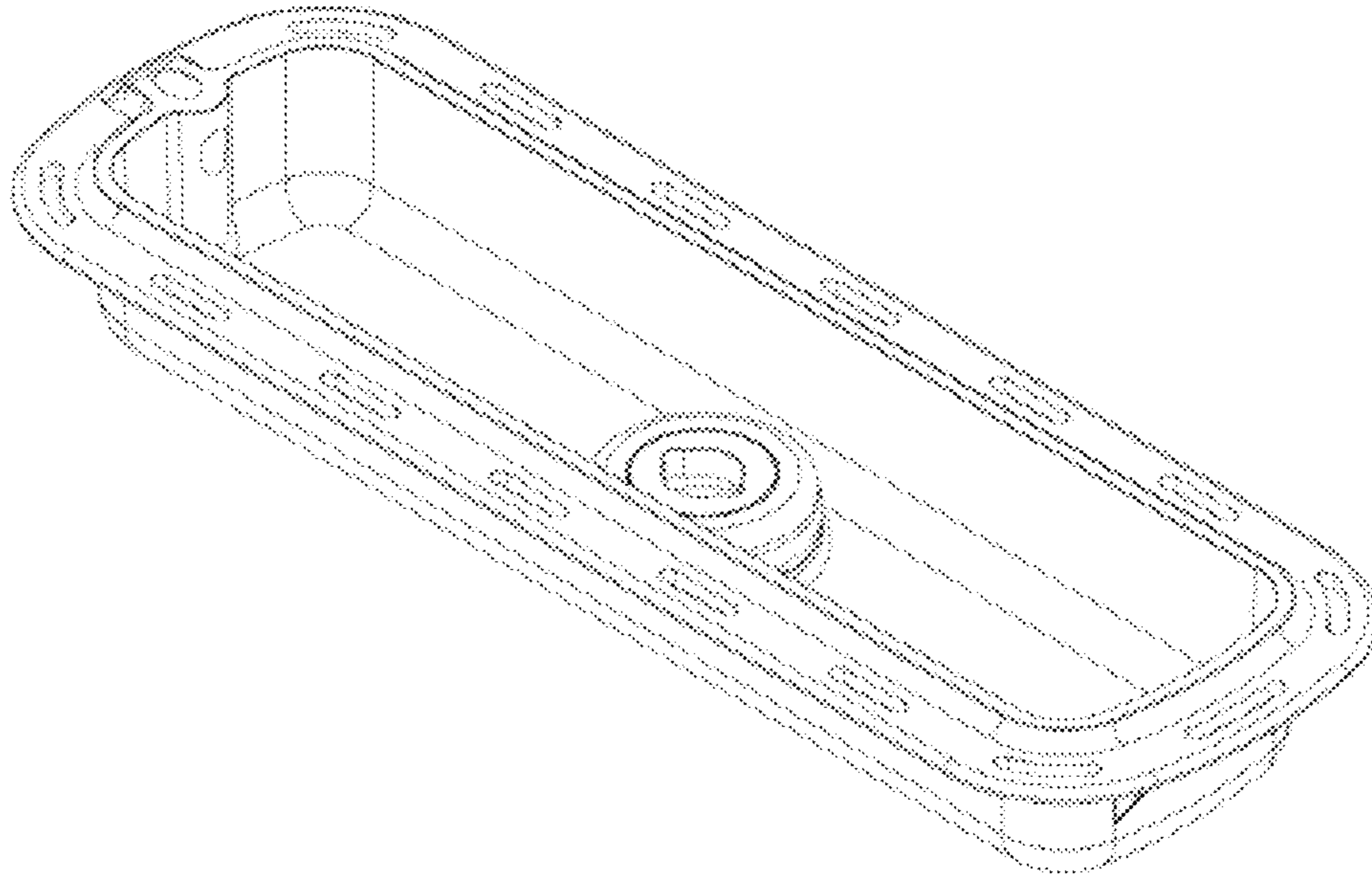


FIG. 7

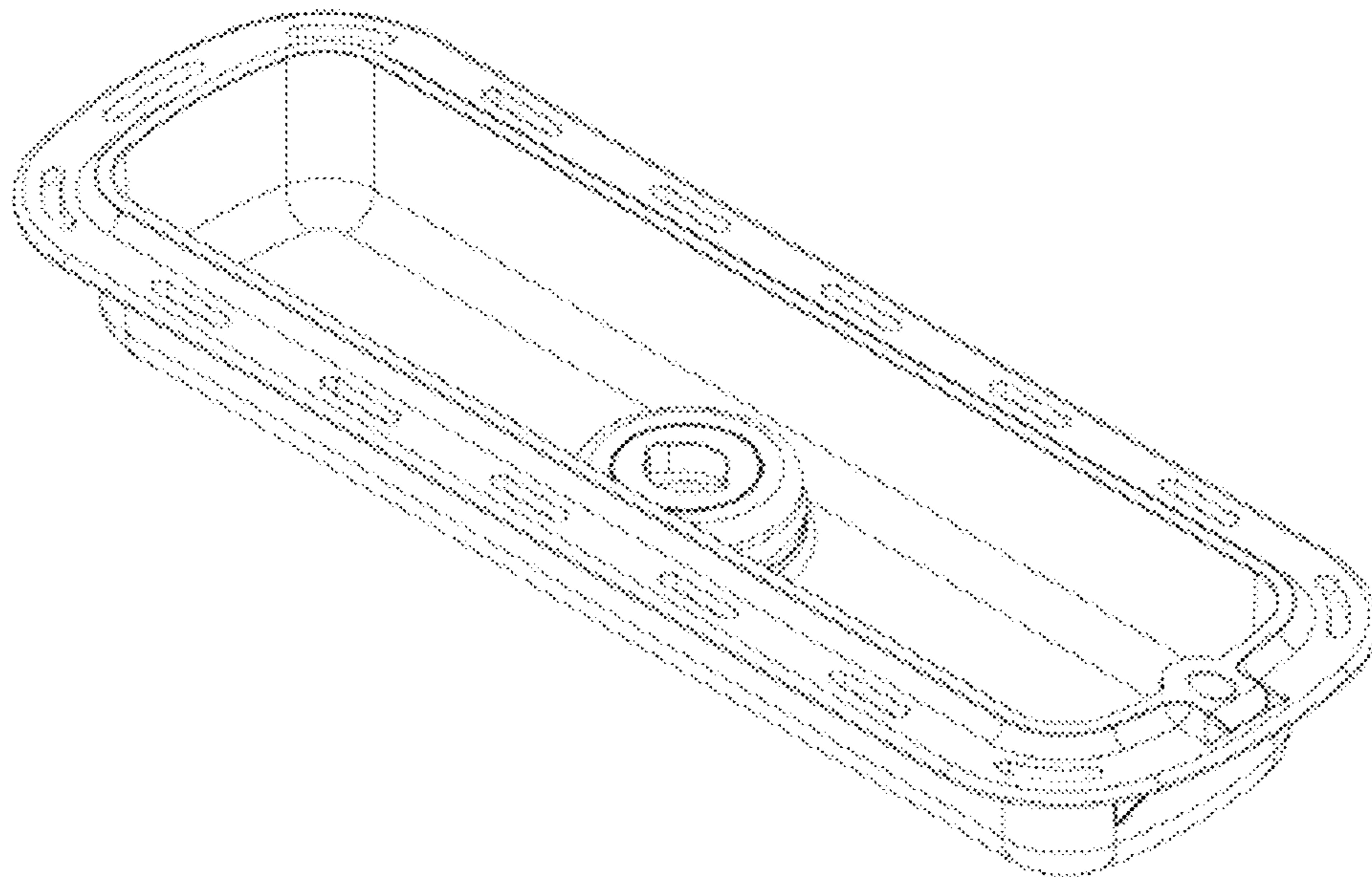


FIG. 8

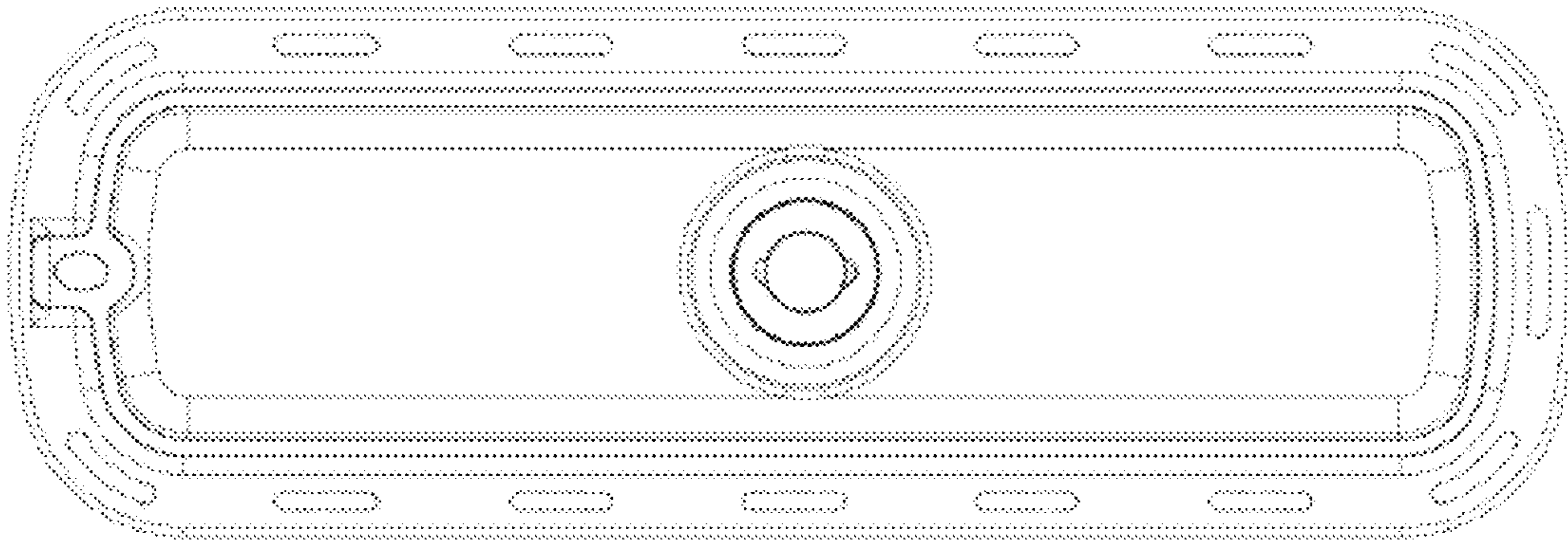


FIG. 9

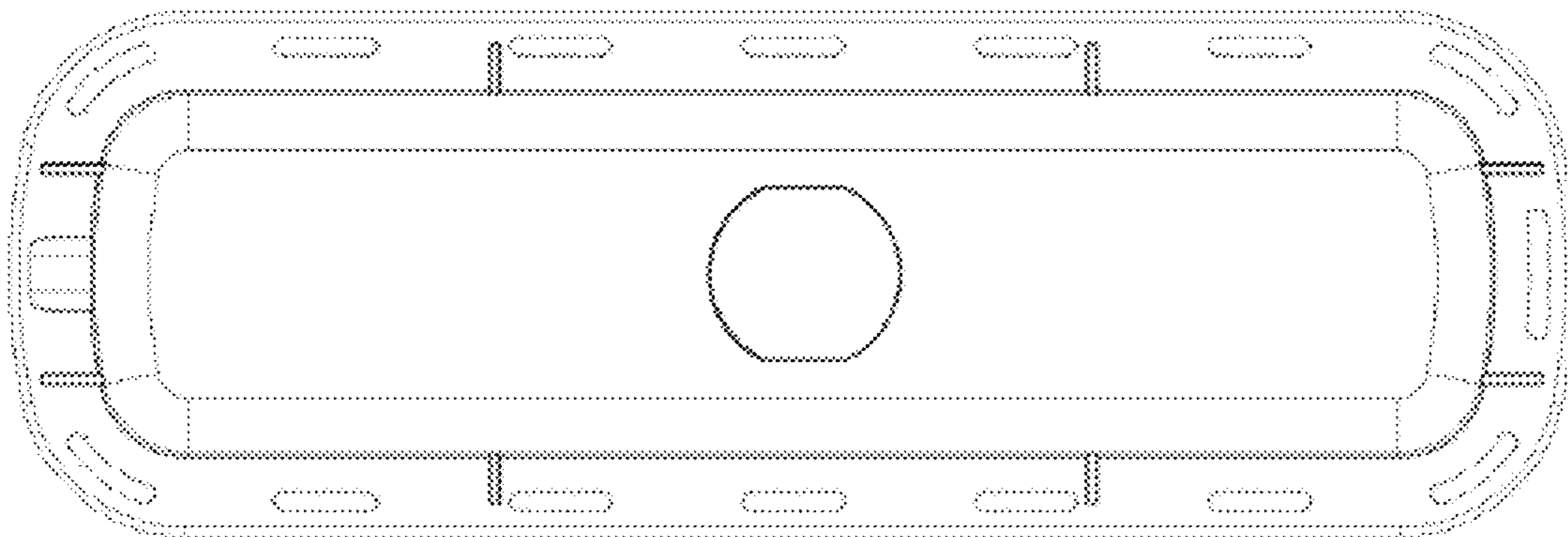


FIG. 10