



US00D835109S

(12) **United States Design Patent**
Chen

(10) **Patent No.:** **US D835,109 S**

(45) **Date of Patent:** **** Dec. 4, 2018**

(54) **CONNECTOR**

(71) Applicant: **SONY INTERACTIVE ENTERTAINMENT INC.**, Tokyo (JP)

(72) Inventor: **Hongji Chen**, Kunshan (CN)

(73) Assignee: **SONY INTERACTIVE ENTERTAINMENT INC.**, Tokyo (JP)

(**) Term: **15 Years**

(21) Appl. No.: **29/582,065**

(22) Filed: **Oct. 25, 2016**

(30) **Foreign Application Priority Data**

Apr. 26, 2016 (JP) 2016-009112

(51) **LOC (11) Cl.** **14-02**

(52) **U.S. Cl.**
USPC **D14/433**

(58) **Field of Classification Search**
USPC D14/432, 433
CPC H01M 10/44
See application file for complete search history.

(56) **References Cited**

U.S. PATENT DOCUMENTS

6,321,340 B1 * 11/2001 Shin G06F 1/1632
439/131
8,512,079 B2 * 8/2013 Vroom H01R 13/512
361/679.45

D788,112 S * 5/2017 Liao D14/433
D798,301 S * 9/2017 Kujawski D14/433
D798,811 S * 10/2017 Liao D13/110
D811,995 S * 3/2018 Horikoshi D13/103

* cited by examiner

Primary Examiner — Cynthia R Underwood

(74) *Attorney, Agent, or Firm* — Young & Thompson

(57) **CLAIM**

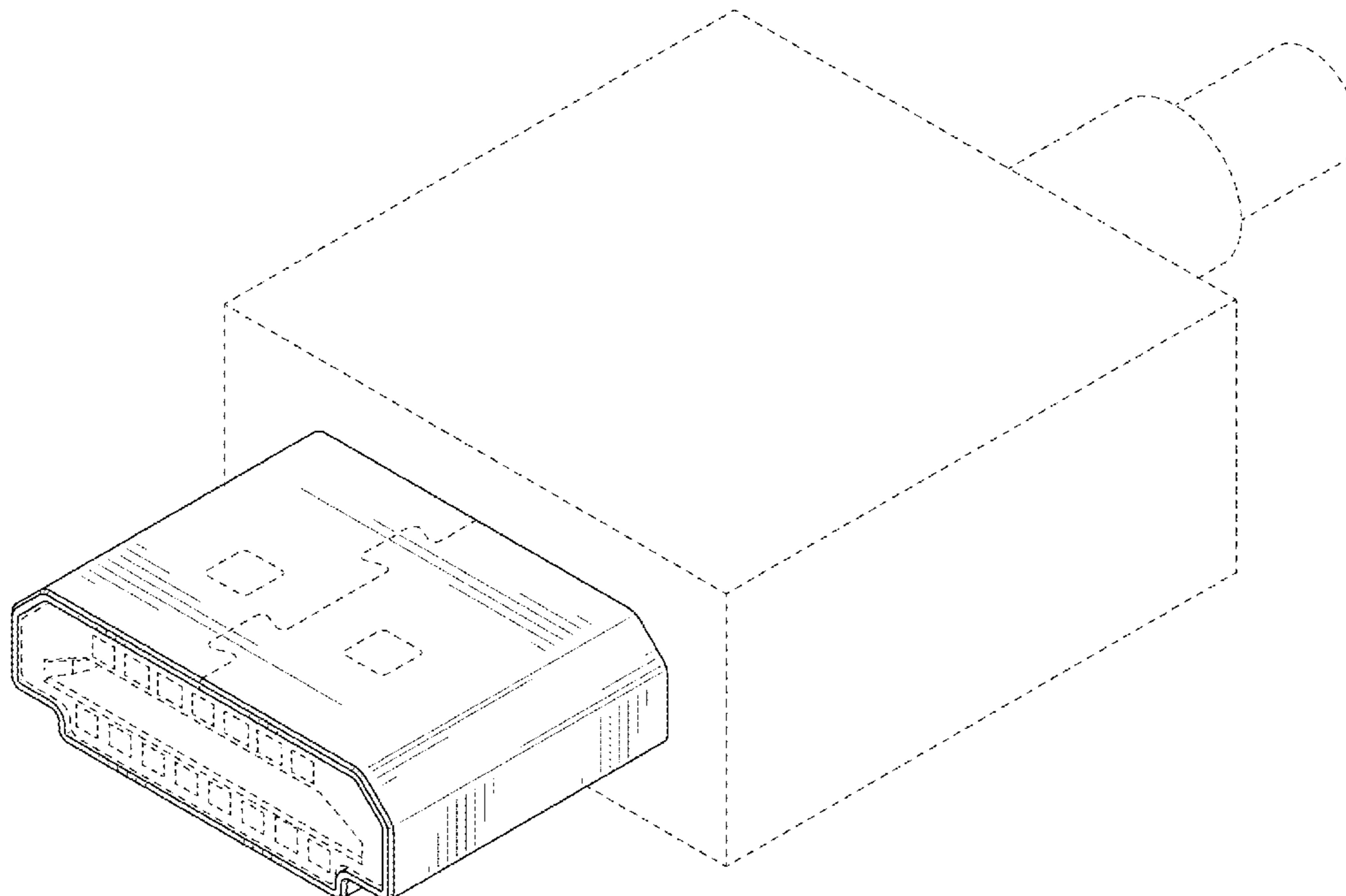
The ornamental design for connector, as shown and described.

DESCRIPTION

FIG. 1 is a perspective view of front, top and left side of connector showing my new design;
FIG. 2 is a perspective view of rear, bottom and left side thereof;
FIG. 3 is a front view thereof;
FIG. 4 is a rear view thereof;
FIG. 5 is a left side view thereof;
FIG. 6 is a right side view thereof;
FIG. 7 is a top view thereof; and,
FIG. 8 is a bottom view thereof.

The portions of the article shown in broken lines form no part of the claimed design.

1 Claim, 6 Drawing Sheets



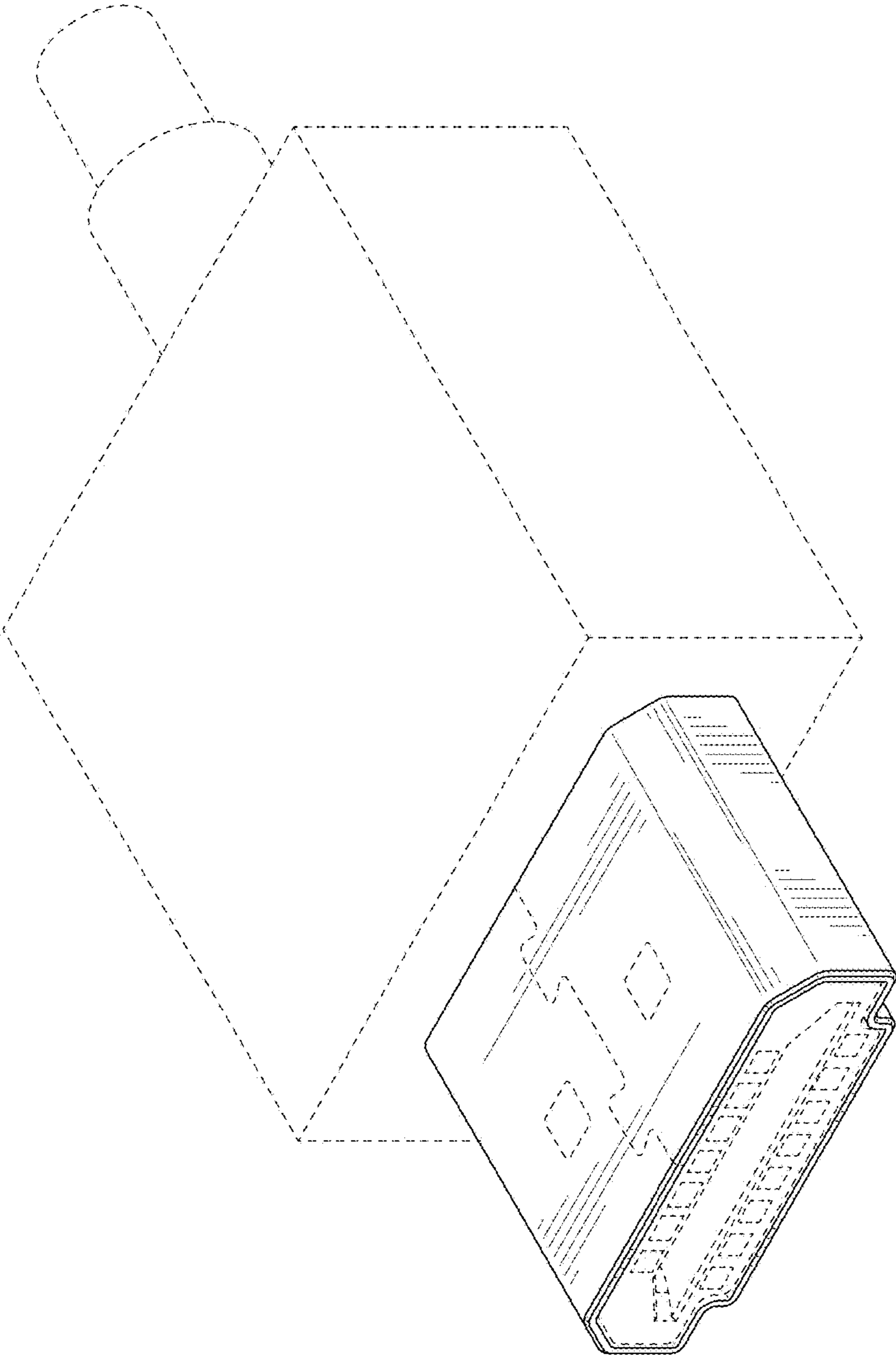


FIG. 1

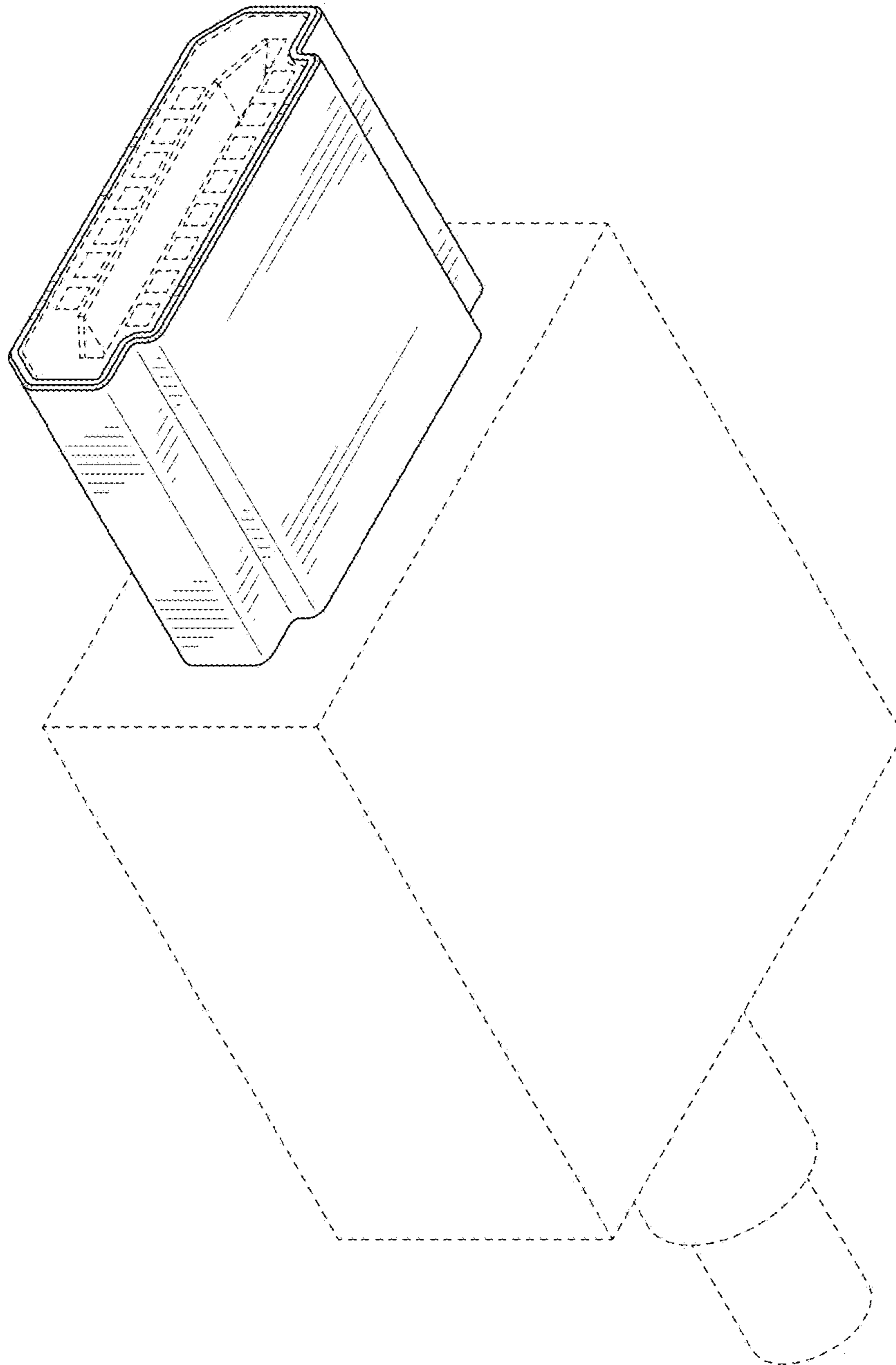


FIG. 2

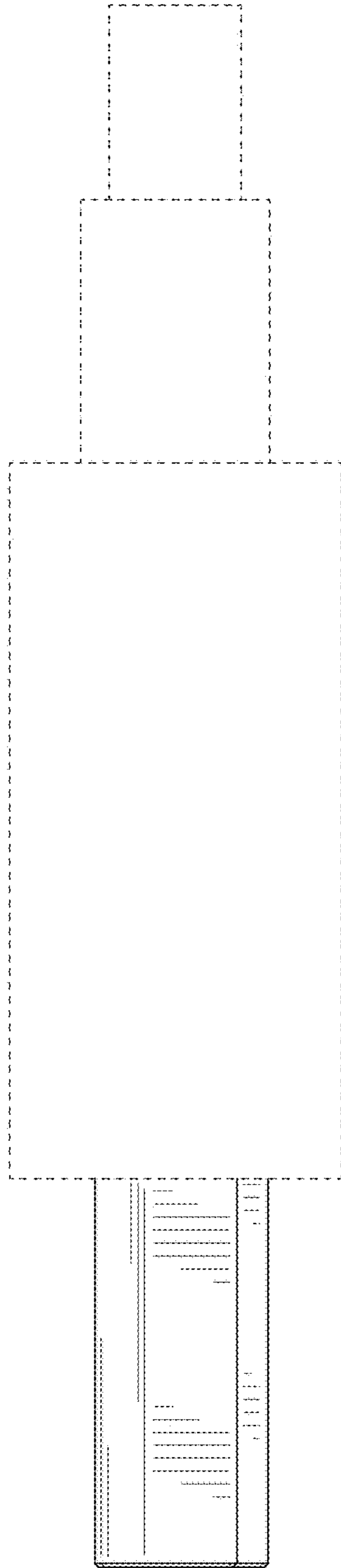


FIG. 3

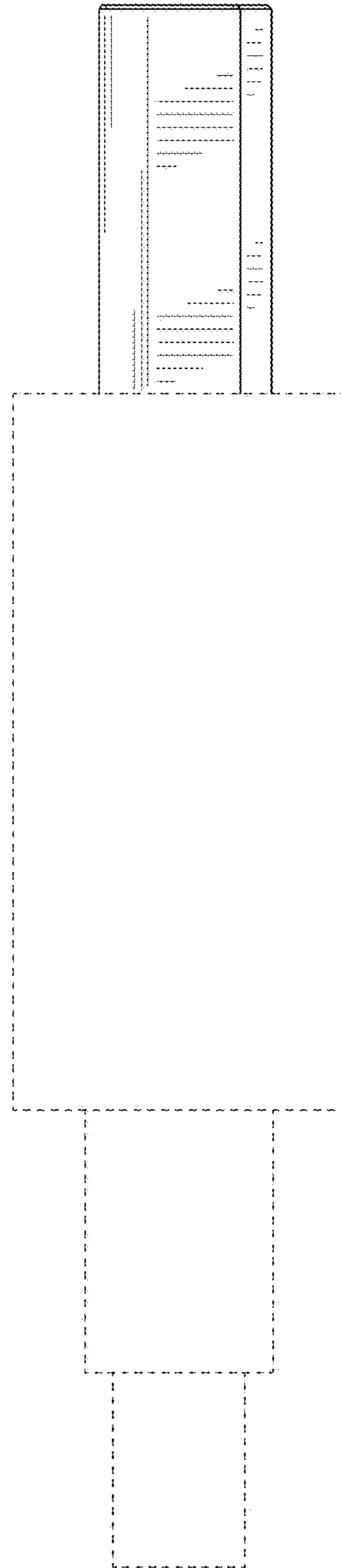


FIG. 4

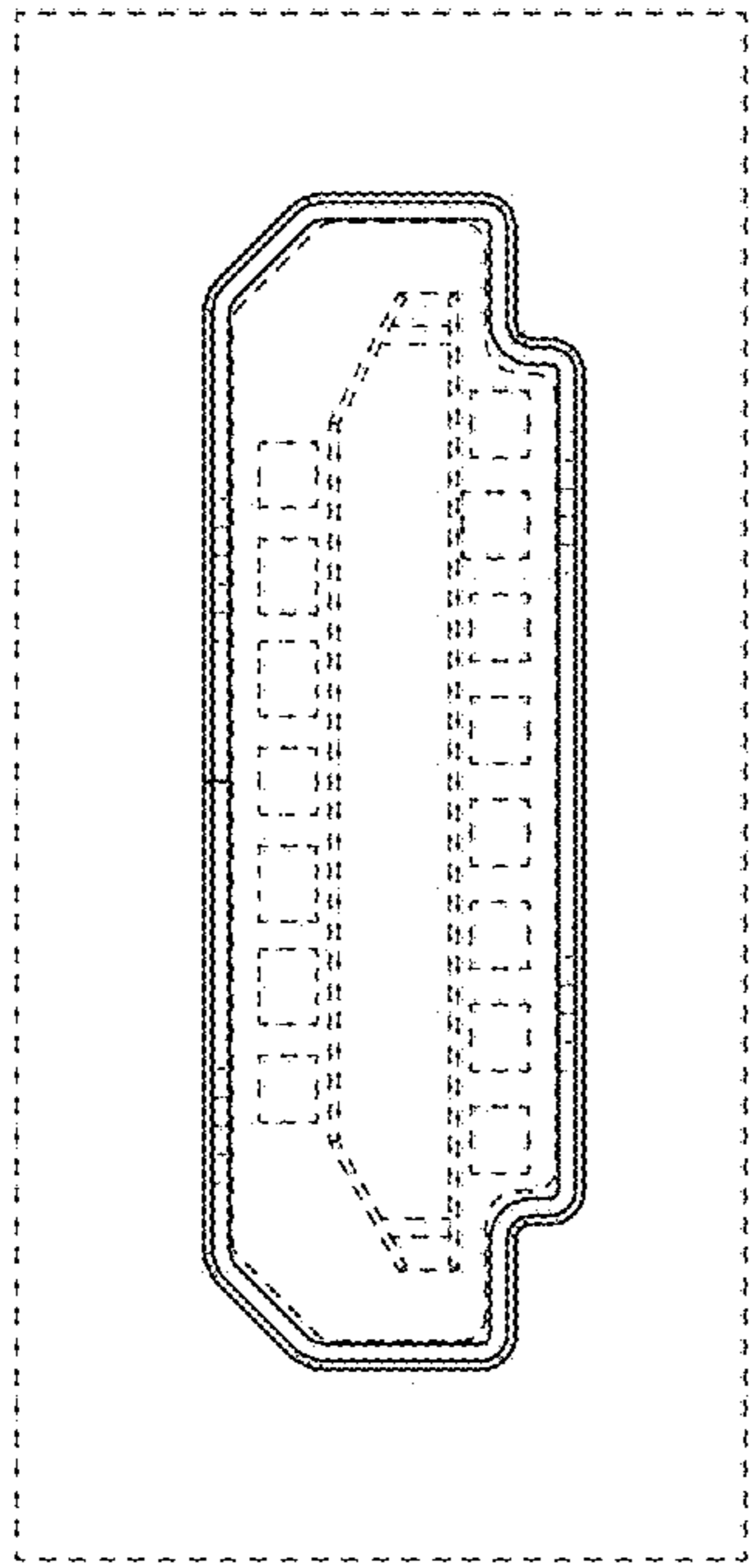


FIG. 5

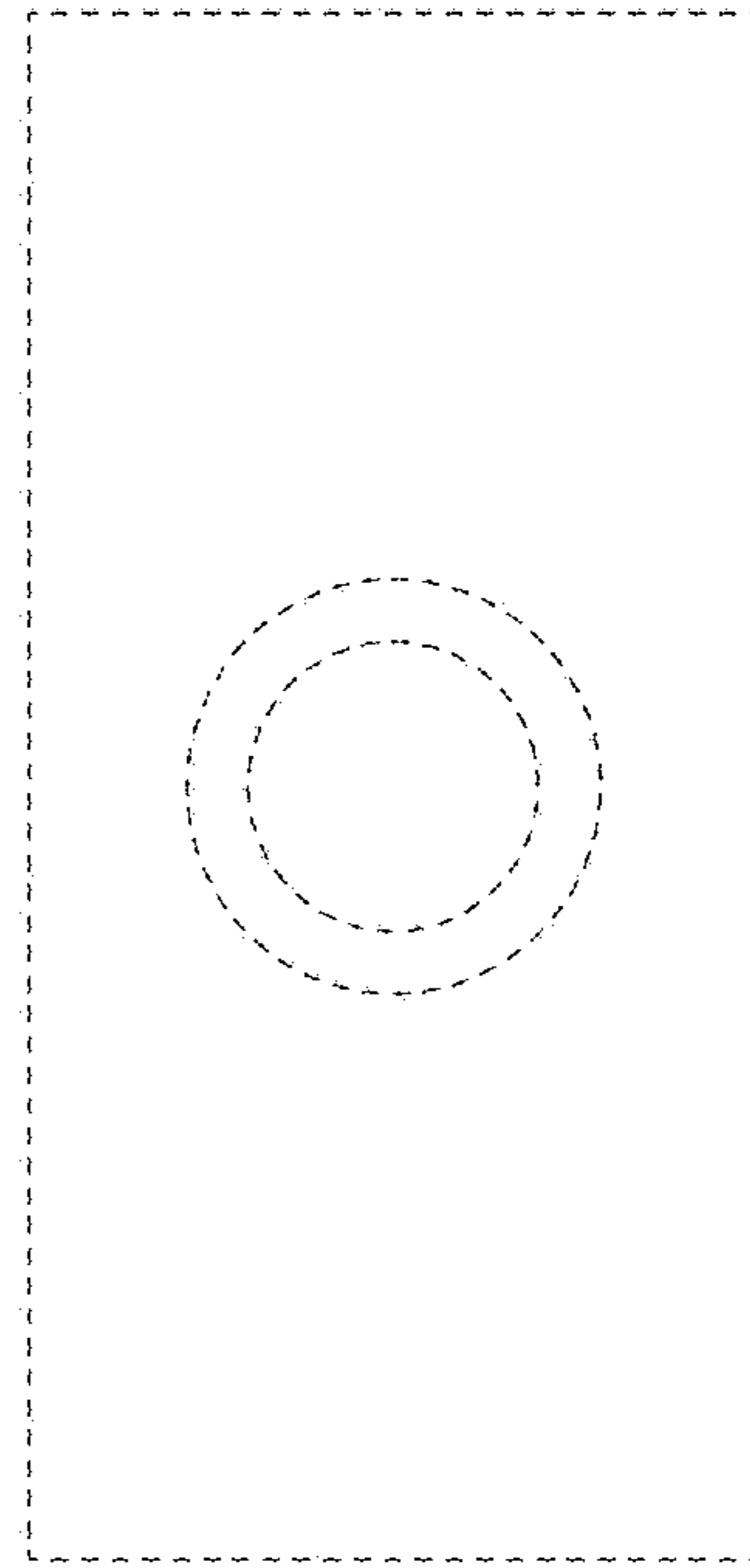


FIG. 6



FIG. 7



FIG. 8