



US00D835107S

(12) **United States Design Patent** (10) **Patent No.:** **US D835,107 S**
Memke et al. (45) **Date of Patent:** **** Dec. 4, 2018**

(54) **MOBILE COMPUTER**

G06K 2207/1018; G06K 2017/0051;
G06K 2017/0067; G06K

(71) Applicant: **Hand Held Products, Inc.**, Fort Mill, SC (US)

(Continued)

(72) Inventors: **David Memke**, Bainbridge Island, WA (US); **Michael James Wells**, Lake Stevens, WA (US); **Dean J. Bidwell**, Renton, WA (US); **Hyung Kim**, Lynwood, WA (US)

(56) **References Cited**

U.S. PATENT DOCUMENTS

D505,422 S * 5/2005 Kakizaki D14/347
D599,798 S * 9/2009 Fitch D14/426

(Continued)

Primary Examiner — Susan Moon Lee

(73) Assignee: **Hand Held Products, Inc.**, Fort Mill, SC (US)

(74) *Attorney, Agent, or Firm* — Addington, Higgins & Pendleton, P.A.

(**) Term: **15 Years**

(21) Appl. No.: **29/599,372**

(57) **CLAIM**

The ornamental design for a mobile computer, as shown in the accompanying drawings and described above.

(22) Filed: **Apr. 3, 2017**

(51) **LOC (11) Cl.** **14-02**

(52) **U.S. Cl.**
USPC **D14/426**; D14/429

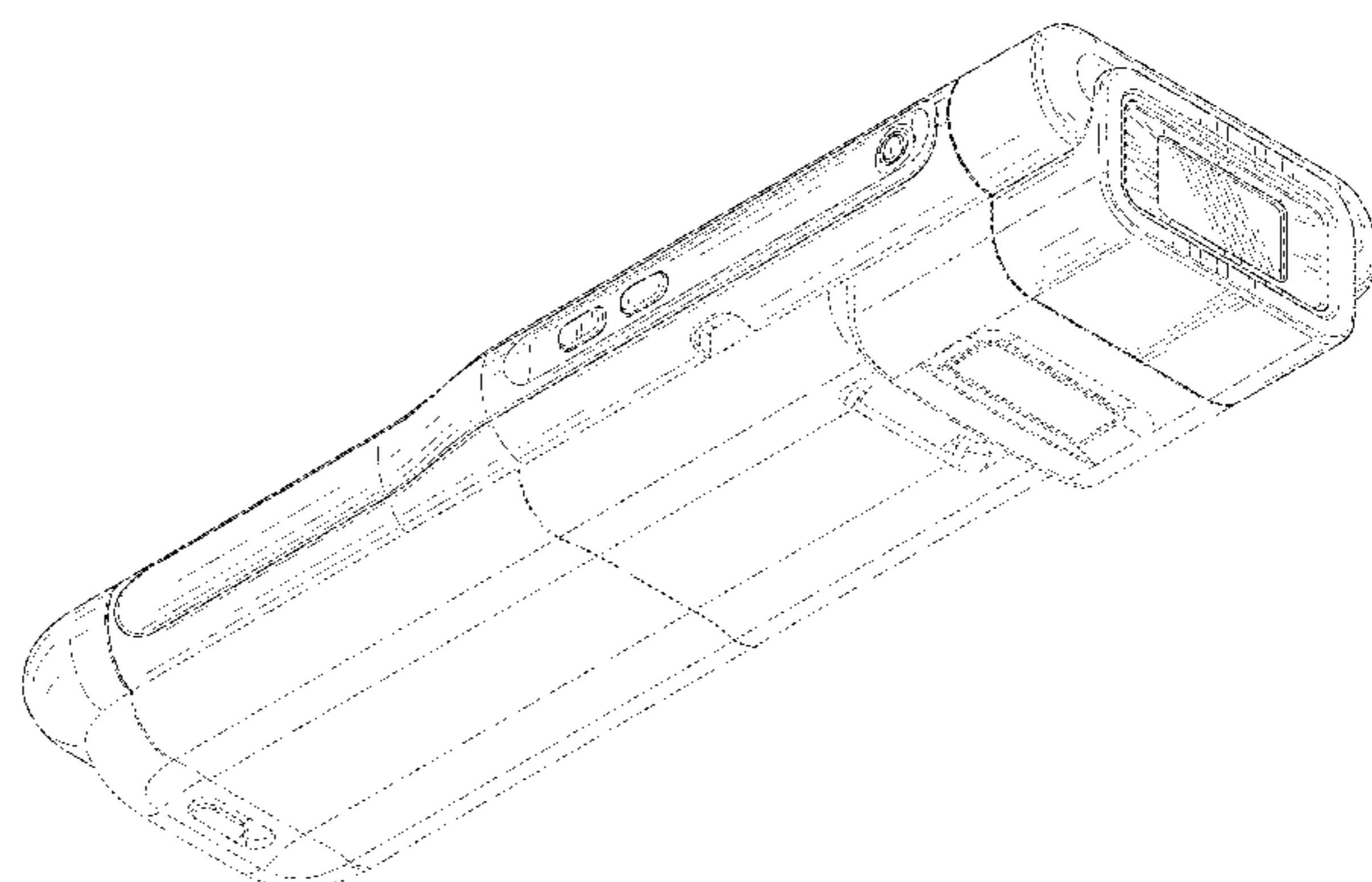
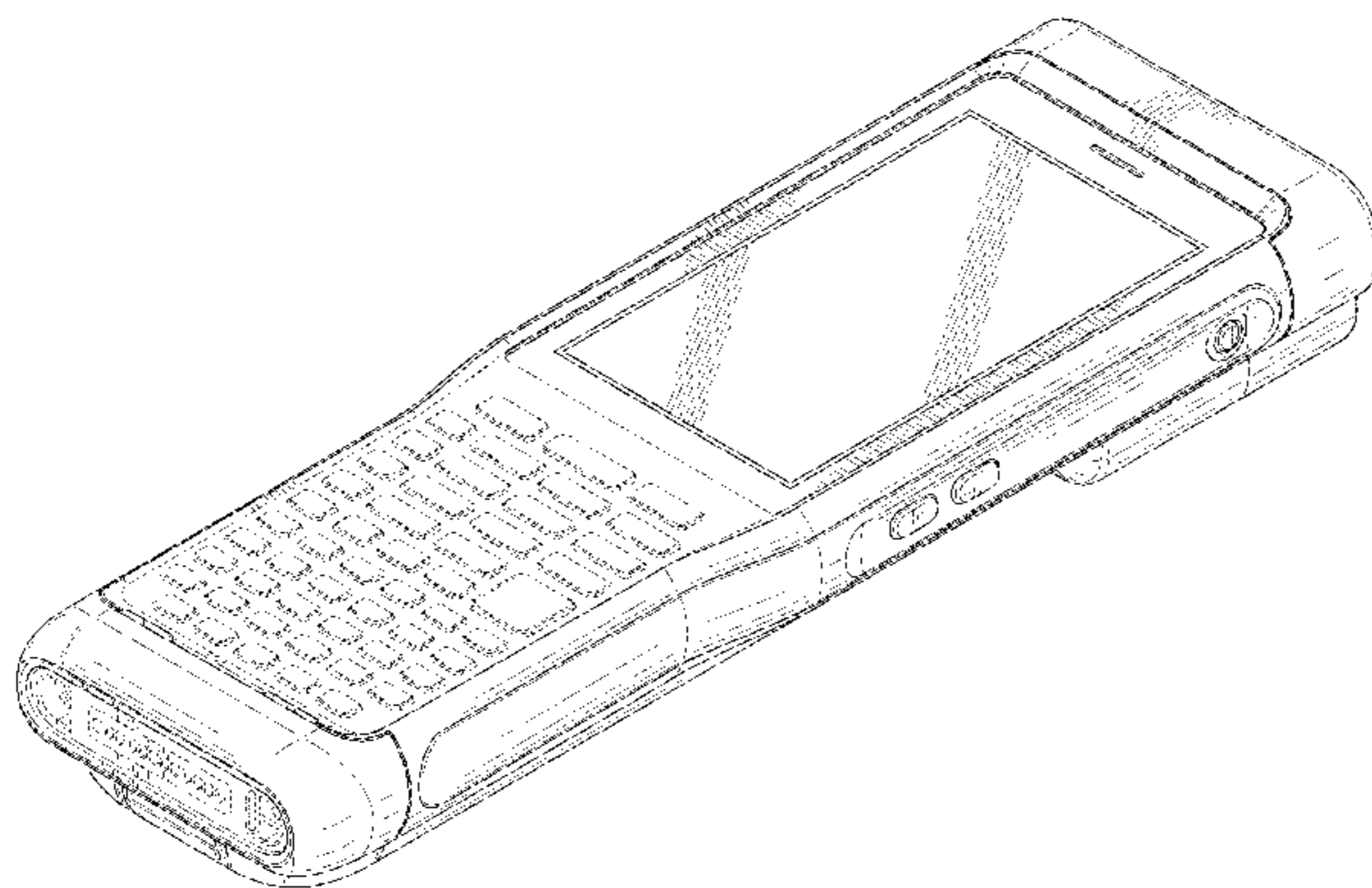
DESCRIPTION

(58) **Field of Classification Search**
USPC D14/420, 426–430, 453, 346, 341, 347, D14/412, 138; D13/107, 184; 358/473; 235/462.43, 462.45, 462.47, 462.48, 235/462.44, 462.46, 487, 472.01, 472.02, 235/145 A, 145 R; D10/78; 324/426; D3/273; 710/73; D18/7; 361/679, 728, 361/679.56; 382/313, 321; 455/575.1, 455/561, 572; 345/156, 168, 169, 172, 345/173, 87; 705/17, 18, 22–25
CPC G06F 1/626; G06F 1/1626; G06F 1/1656; G06F 1/1632; G06F 1/1684; G06F 1/1635; G06F 8/63; G06F 17/30091; G06F 9/4401; G06K 7/10881; G06K 7/1098; G06K 7/10722; G06K 7/1404; G06K 7/0004; G06K 7/10633; G06K 7/10851; G06K 7/1091; G06K 7/1092; G06K 7/1093; G06K 7/10; G06K 7/109; G06K 7/1417; G06K 9/228; G06K 17/0022; G06K 17/00; G06K 2207/1011; G06K 2207/1013; G06K 2207/1016;

FIG. 1 is a top, rear, left perspective view of a mobile computer in accordance with the present invention.
FIG. 2 is a bottom, front, left perspective view of the mobile computer of FIG. 1;
FIG. 3 is a bottom, front, right perspective view of the mobile computer of FIG. 1;
FIG. 4 is a top plan view of the mobile computer of FIG. 1;
FIG. 5 is a bottom plan view of the mobile computer of FIG. 1;
FIG. 6 is a right elevation view of the mobile computer of FIG. 1;
FIG. 7 is a left elevation view of the mobile computer of FIG. 1;
FIG. 8 is a rear elevation view of the mobile computer of FIG. 1; and,
FIG. 9 is a front elevation view of the mobile computer of FIG. 1.

The broken lines shown herein are for illustrative purposes and form no part of the claimed design.

1 Claim, 7 Drawing Sheets



(58) **Field of Classification Search**

CPC 2007/10524; G07G 1/0081; G07G 1/009;
G06Q 20/20; G06Q 20/201; G06Q
20/202; G06Q 20/203; G06Q 20/30;
G06Q 20/32; G06Q 20/322; G06Q
20/4014; G06Q 10/087; H04N 1/00127;
H04N 1/00135; H04N 1/00326; H04N
1/00334; H04N 1/00307; H04N 1/107;
H04N 2201/0084; H04N 2101/00; H04M
1/0249; H04M 1/0262; H04M 1/0266;
H04M 1/18; H04M 1/23; H04M 1/236;
H04B 1/3827; H04B 1/3833; H04B
1/3877; H04B 1/3883; H04B 1/3888;
H04B 2001/3894; H01M 2/1066

See application file for complete search history.

(56) **References Cited**

U.S. PATENT DOCUMENTS

D614,626	S	*	4/2010	Dai	D14/426
D638,422	S	*	5/2011	Reed	D14/347
D677,663	S	*	3/2013	Minafo	D14/426
D697,067	S	*	1/2014	Minafo	D14/428
D704,711	S	*	5/2014	Minafo	D14/426
D716,307	S	*	10/2014	Paufler	D14/426
D732,534	S	*	6/2015	Paufler	D14/428
D771,631	S	*	11/2016	Fitch	D14/426
D792,407	S	*	7/2017	Fitch	D14/426

* cited by examiner

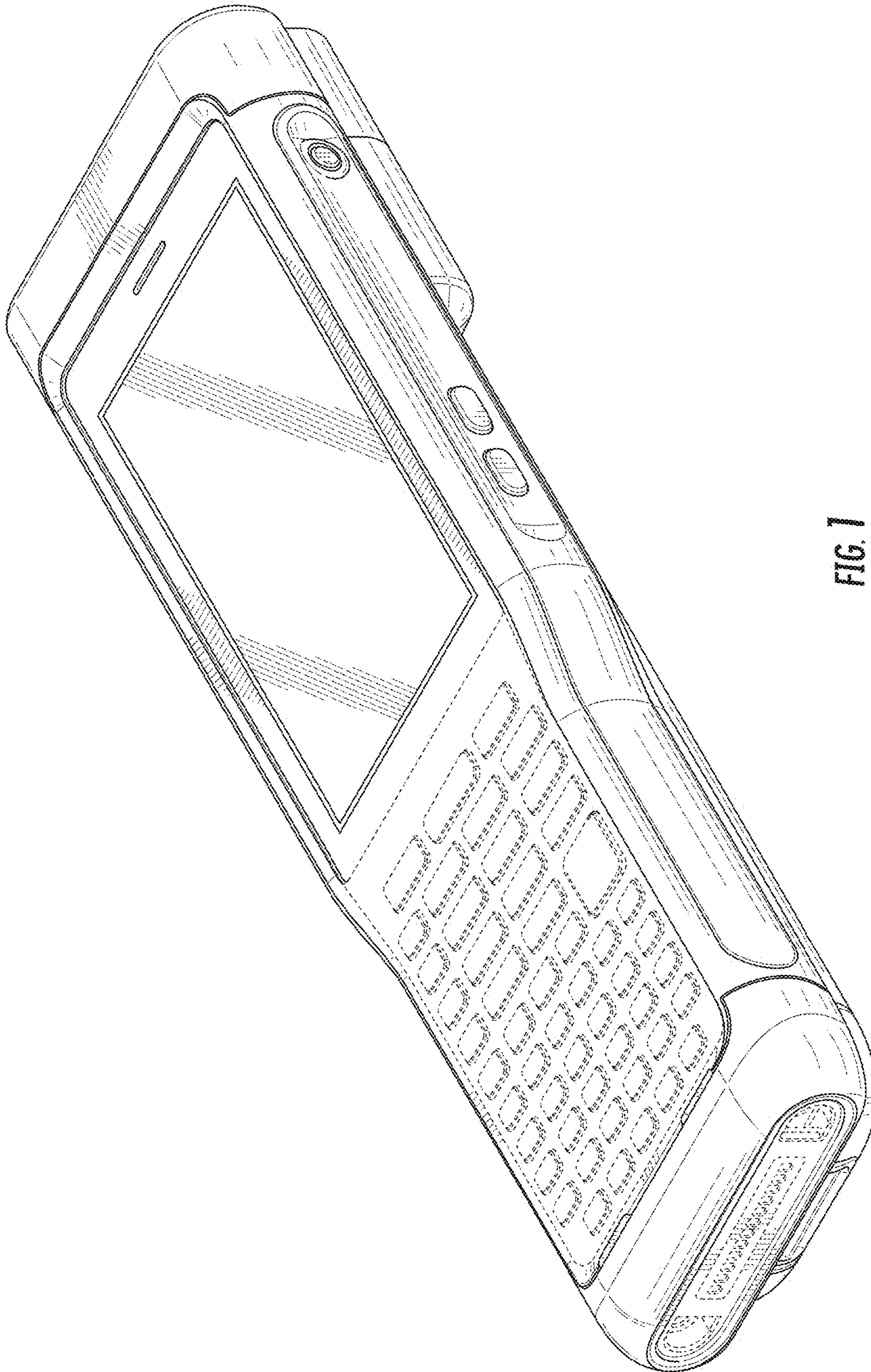


FIG. 1

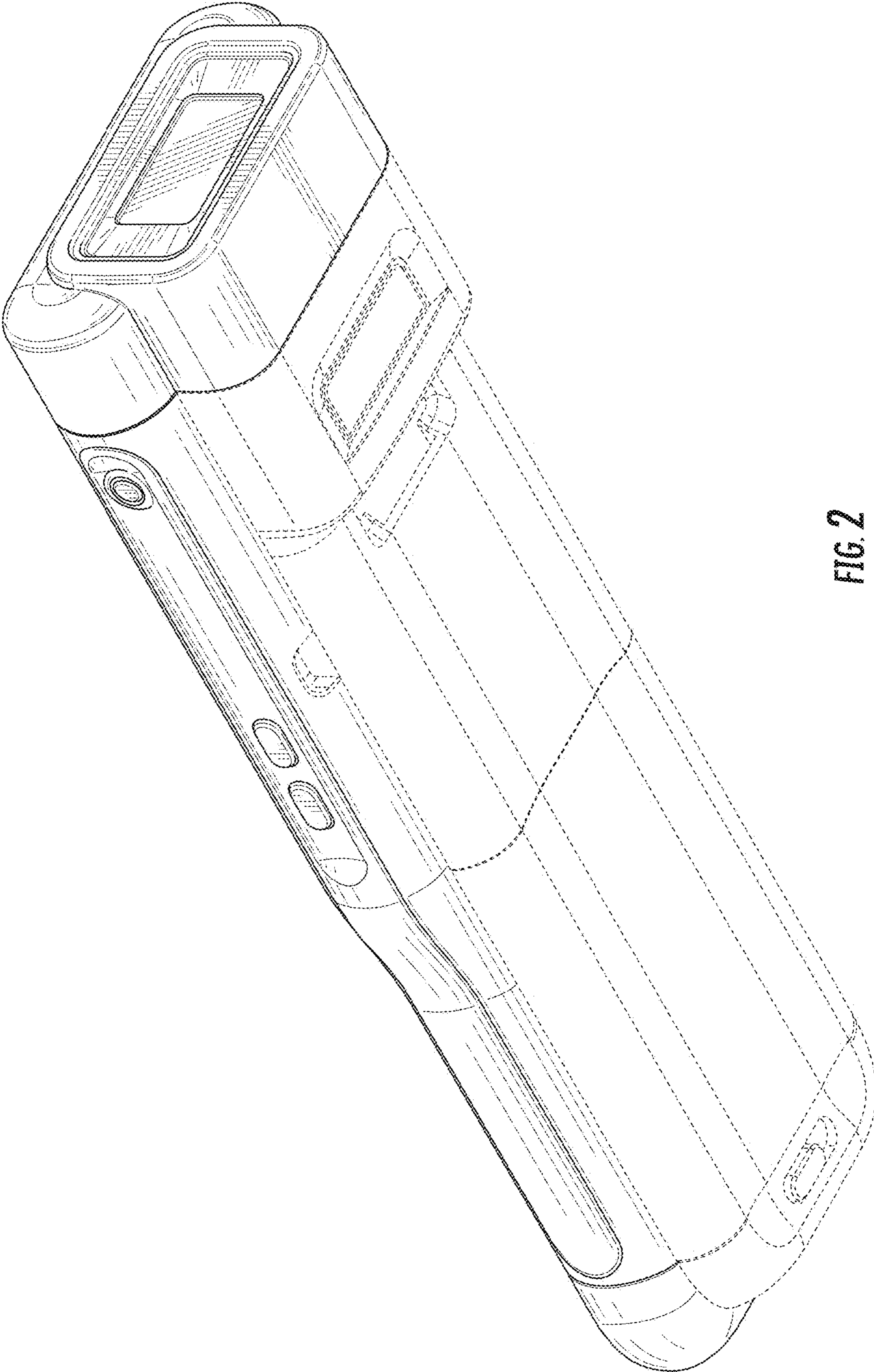


FIG. 2

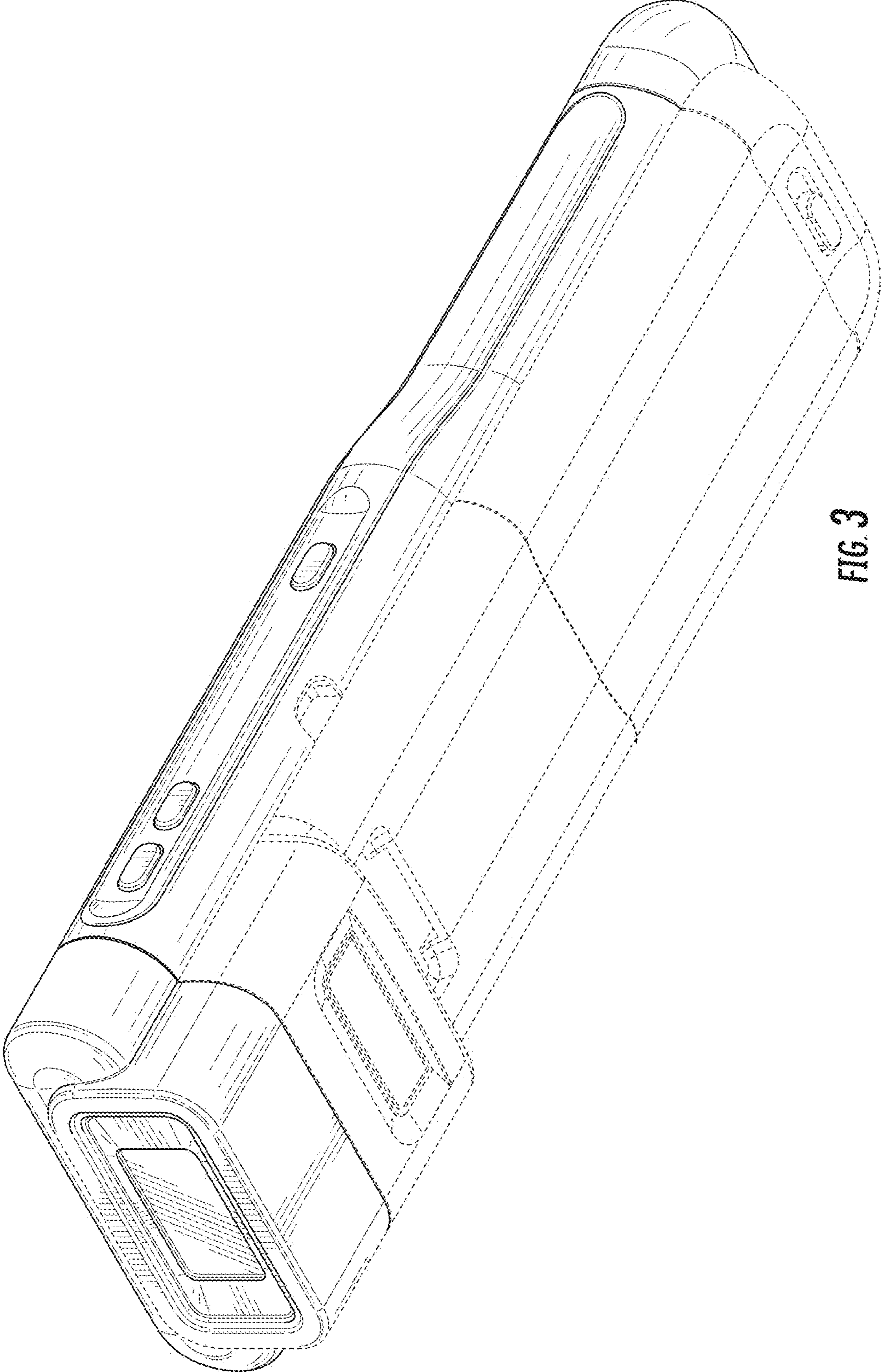


FIG. 3

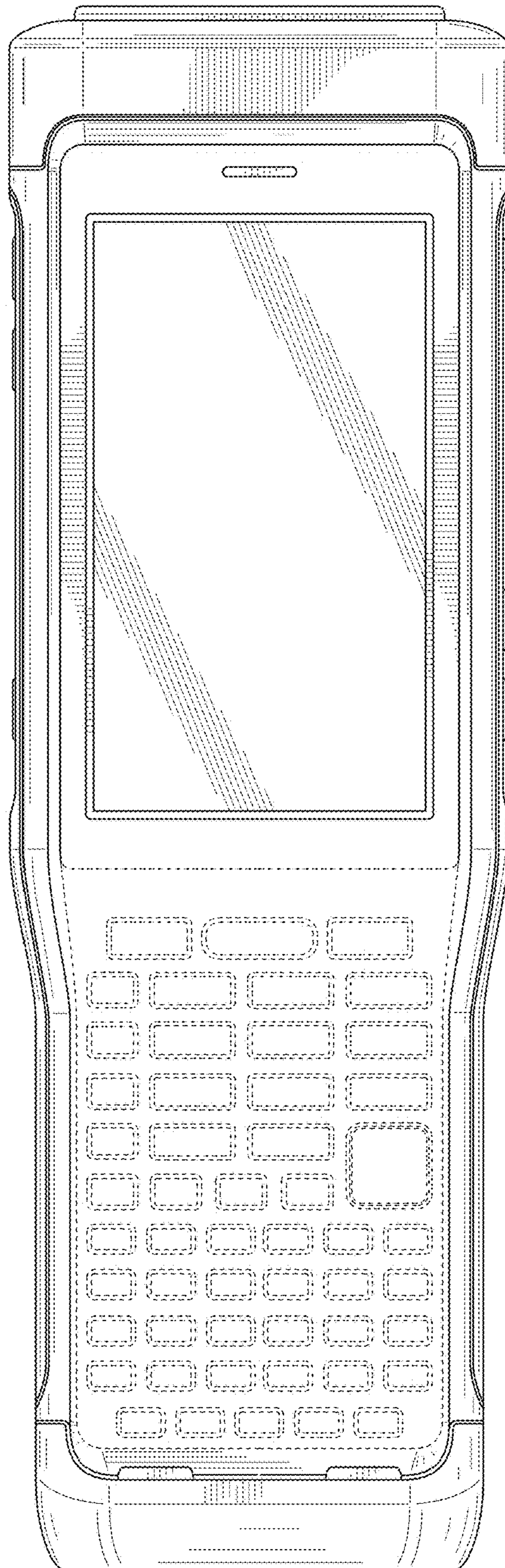


FIG. 4

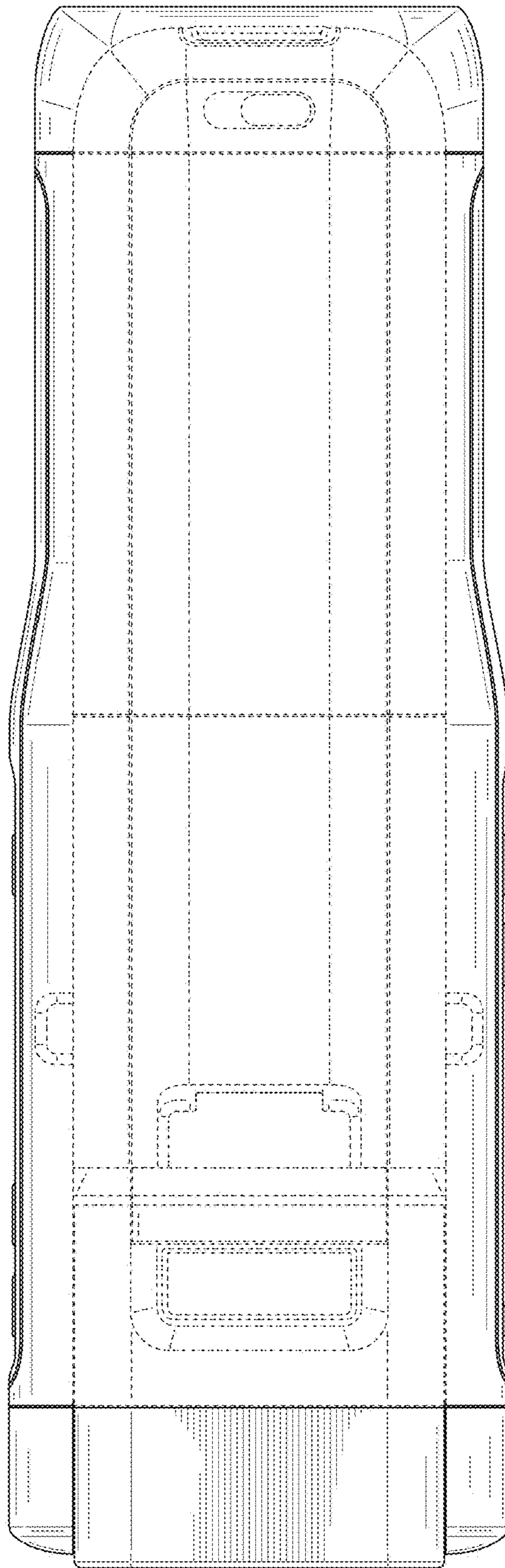


FIG. 5

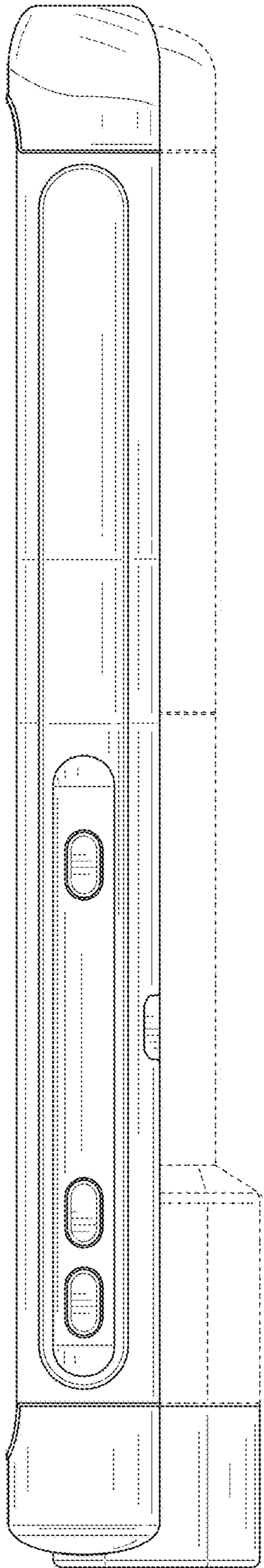


FIG. 6

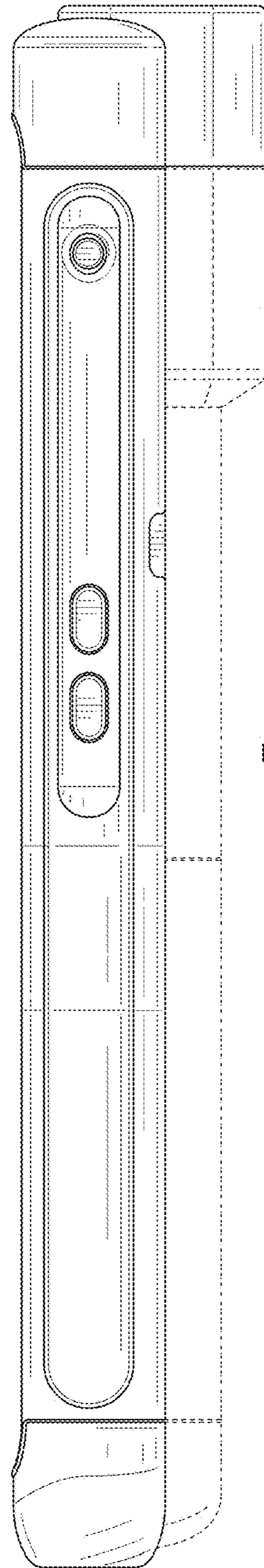


FIG. 7

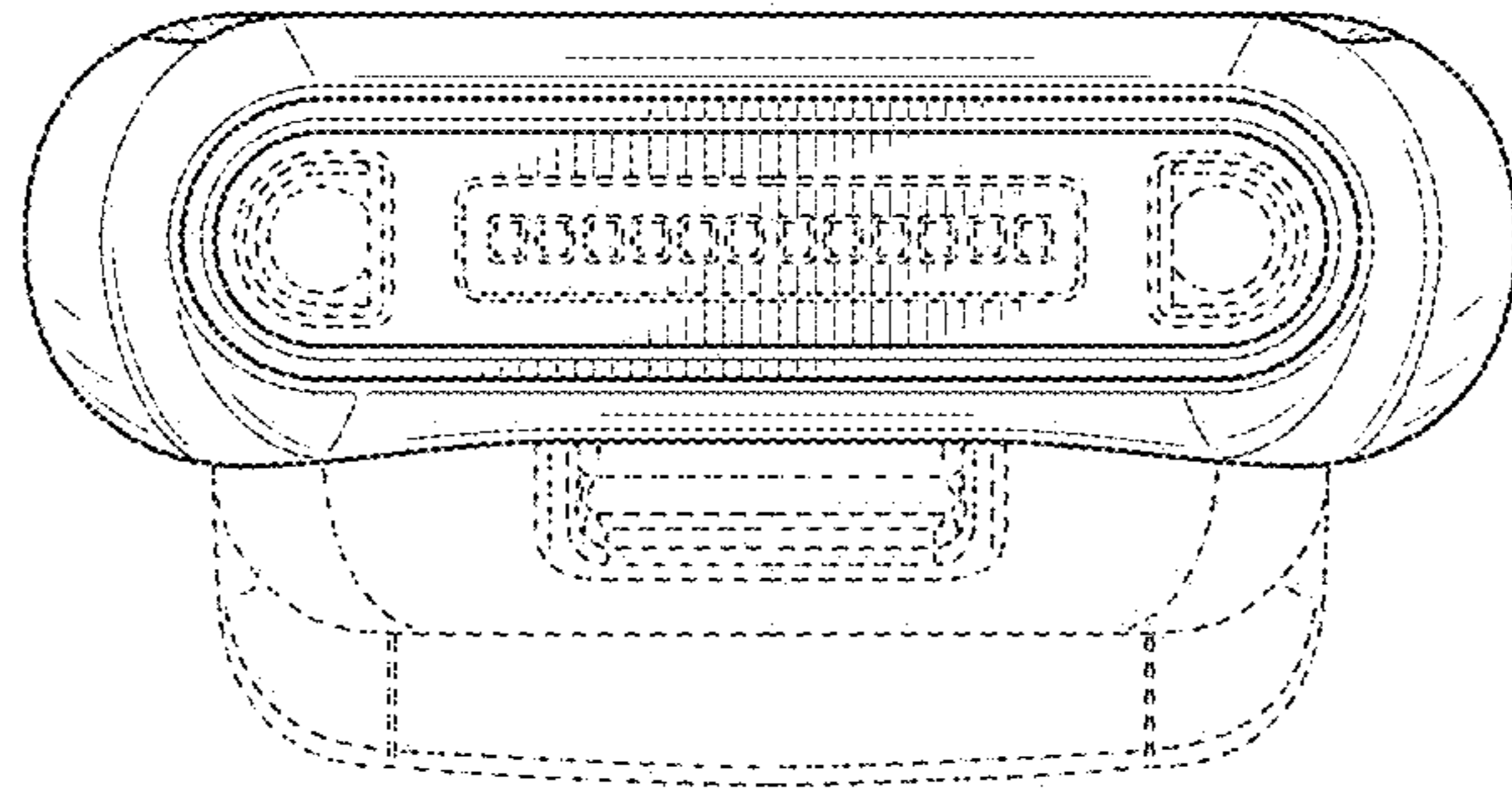


FIG. 8

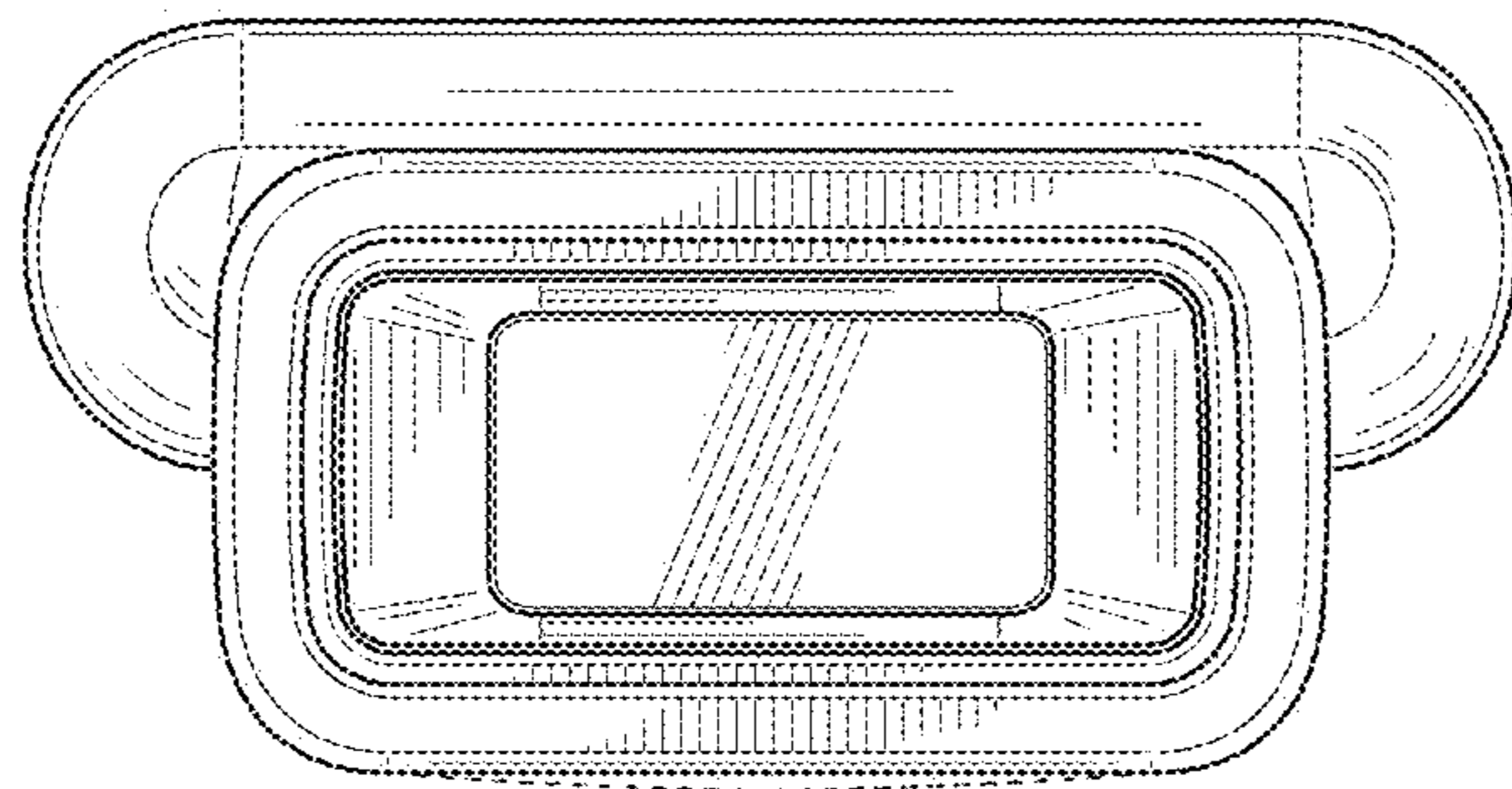


FIG. 9