



US00D835106S

(12) **United States Design Patent** (10) **Patent No.:** **US D835,106 S**  
**Hsu et al.** (45) **Date of Patent:** **\*\* Dec. 4, 2018**

(54) **PEN**

(71) Applicant: **Dell Products L.P.**, Round Rock, TX (US)  
(72) Inventors: **Eric Hsu**, New Taipei (TW); **Nicholas G. DiLoreto**, Austin, TX (US); **Michael Ellis Smith**, Austin, TX (US)  
(73) Assignee: **Dell Products L.P.**, Round Rock, TX (US)

(\*\*) Term: **15 Years**

(21) Appl. No.: **29/625,919**

(22) Filed: **Nov. 14, 2017**

(51) **LOC (11) Cl.** ..... **14-02**

(52) **U.S. Cl.**  
USPC ..... **D14/411**

(58) **Field of Classification Search**  
USPC ..... D14/372, 496, 432, 371, 125, 126, 129, D14/299, 411; D16/300-342; 351/158, 351/153, 144; 345/7-9, 905; 455/344; 348/115, 53, 121, 739  
CPC ..... G02B 27/017; G06F 3/016; G06F 3/033; G06F 3/0317; G06F 3/03545; G06F 3/041; G06K 9/222  
See application file for complete search history.

(56) **References Cited**

**U.S. PATENT DOCUMENTS**

D715,298 S	*	10/2014	Hong	.....	D14/411
D717,798 S	*	11/2014	Groene	.....	D14/411
D725,112 S	*	3/2015	Bo	.....	D14/411
D768,133 S	*	10/2016	Reed	.....	D14/411
D772,230 S	*	11/2016	Lee	.....	D14/411
D773,462 S	*	12/2016	Mitchell	.....	D14/411
D781,293 S	*	3/2017	Mitchell	.....	D14/411
D784,991 S	*	4/2017	Chang	.....	D14/411
D795,258 S	*	8/2017	Bell	.....	D14/411
D797,741 S	*	9/2017	Cebe	.....	D14/411

(Continued)

**OTHER PUBLICATIONS**

Dell, Active Stylus Pen, <http://www.dell.com/en-us/shop/dell-active-stylus-pen/apd/750-aami/handhelds-tablet-pcs>, printed Nov. 14, 2017.  
(Continued)

*Primary Examiner* — Austin Murphy  
(74) *Attorney, Agent, or Firm* — Zagorin Cave LLP; Robert Holland

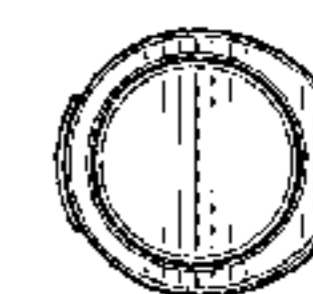
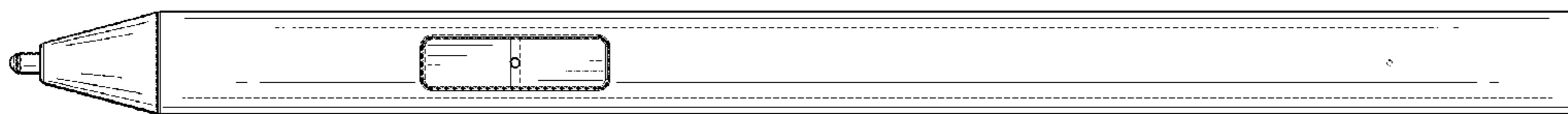
(57) **CLAIM**

We claim the ornamental design of a pen, as shown and described.

**DESCRIPTION**

FIG. 1 is a front perspective view of the pen comprising the present invention;  
FIG. 2 is a top elevation view thereof;  
FIG. 3 is a bottom elevation view thereof;  
FIG. 4 is a rear side view thereof;  
FIG. 5 is a front side view thereof;  
FIG. 6 is a right side elevation view thereof;  
FIG. 7 is a left side elevation view thereof;  
FIG. 8 is a cross sectional view thereof at the location indicated by the number 8 in FIG. 7;  
FIG. 9 is a cross sectional view thereof at the location indicated by the number 9 in FIG. 7;  
FIG. 10 is a cross sectional view thereof at the location indicated by the number 10 in FIG. 7;  
FIG. 11 is a cross sectional view thereof at the location indicated by the number 11 in FIG. 7;  
FIG. 12 is a bottom rear perspective view thereof; and,  
FIG. 13 is an environment view with an information handling system thereof.  
Broken lines shown in the drawings illustrate portions of the pen, and form no part of the claimed design.

**1 Claim, 6 Drawing Sheets**



(56)

**References Cited**

U.S. PATENT DOCUMENTS

D799,488 S \* 10/2017 Nishizawa ..... D14/411  
D811,401 S \* 2/2018 Lehman ..... D14/411

OTHER PUBLICATIONS

James H. Hallar et al., U.S. Appl. No. 29/618,815, filed Sep. 25,  
2017, entitled Pen.  
Microsoft, Surface Pen, printed Sep. 6, 2017.

\* cited by examiner

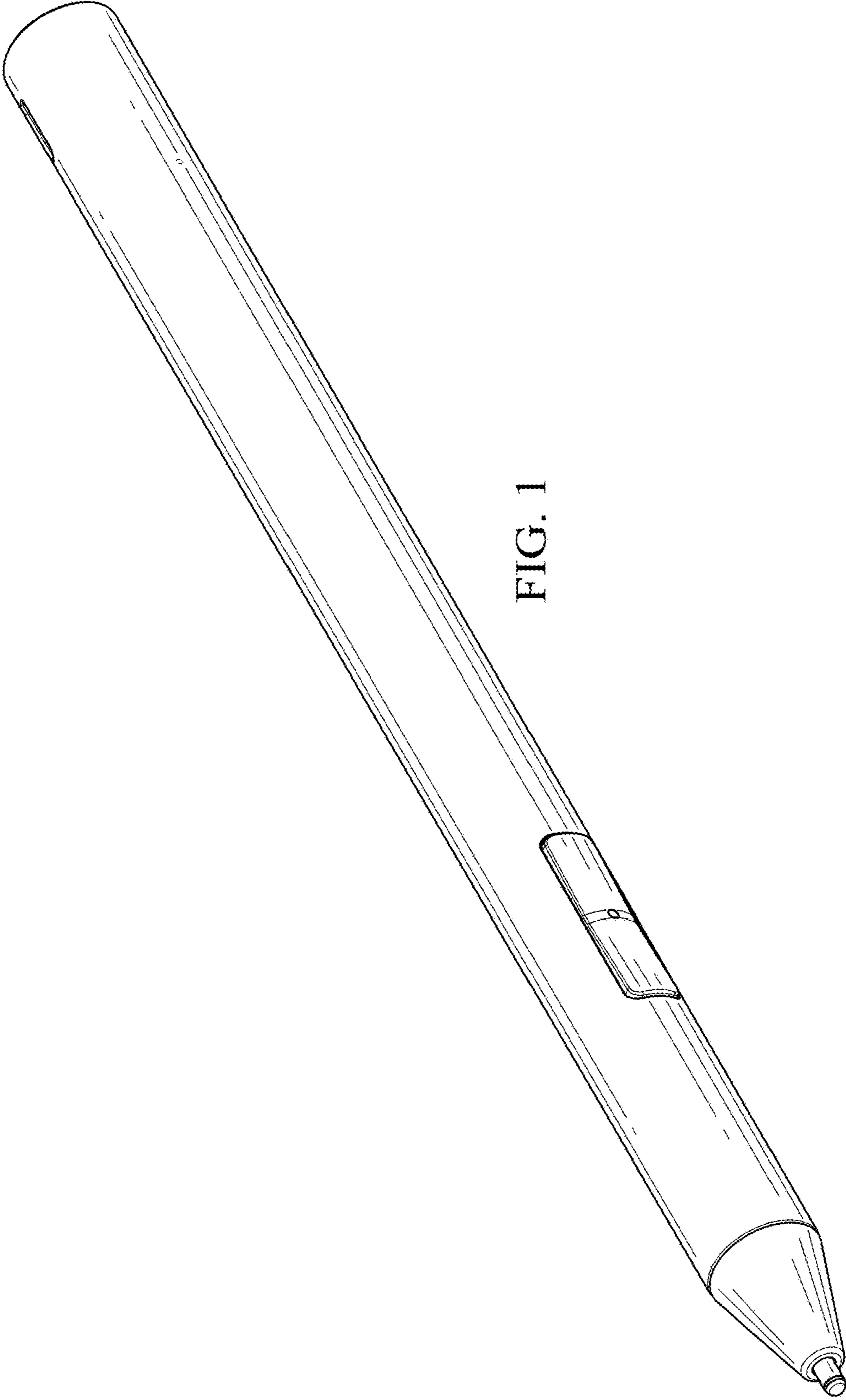


FIG. 1

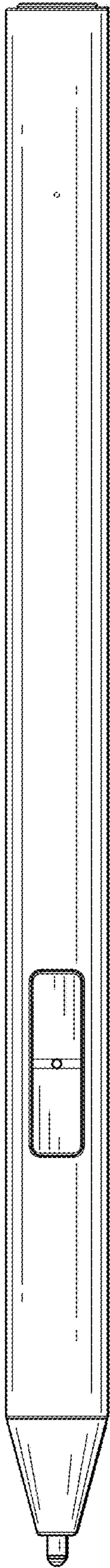


FIG. 2

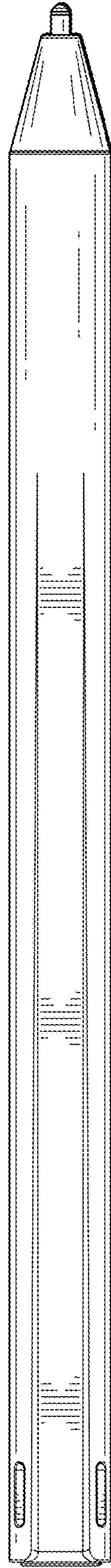


FIG. 3

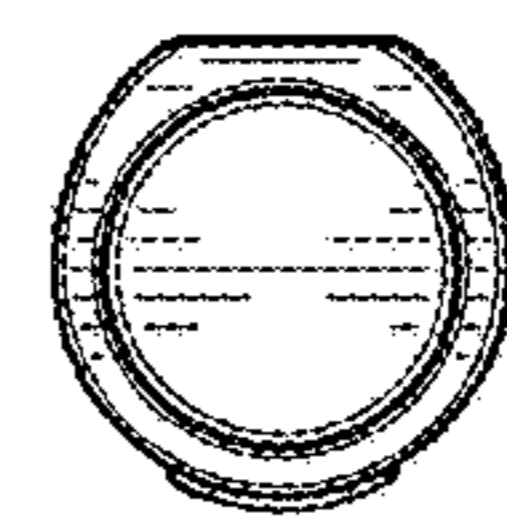


FIG. 4

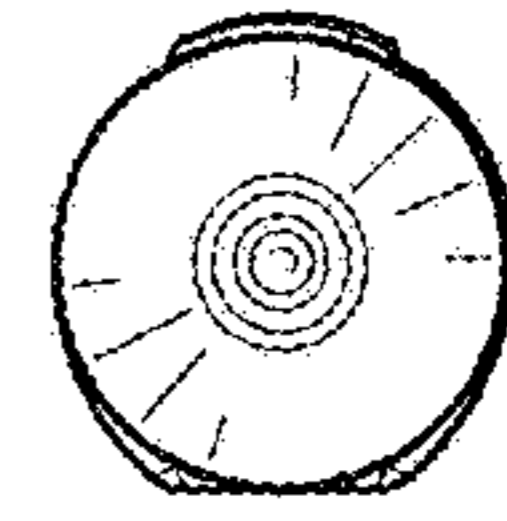


FIG. 5

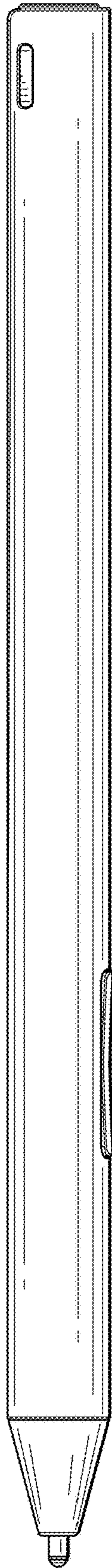


FIG. 6



FIG. 7

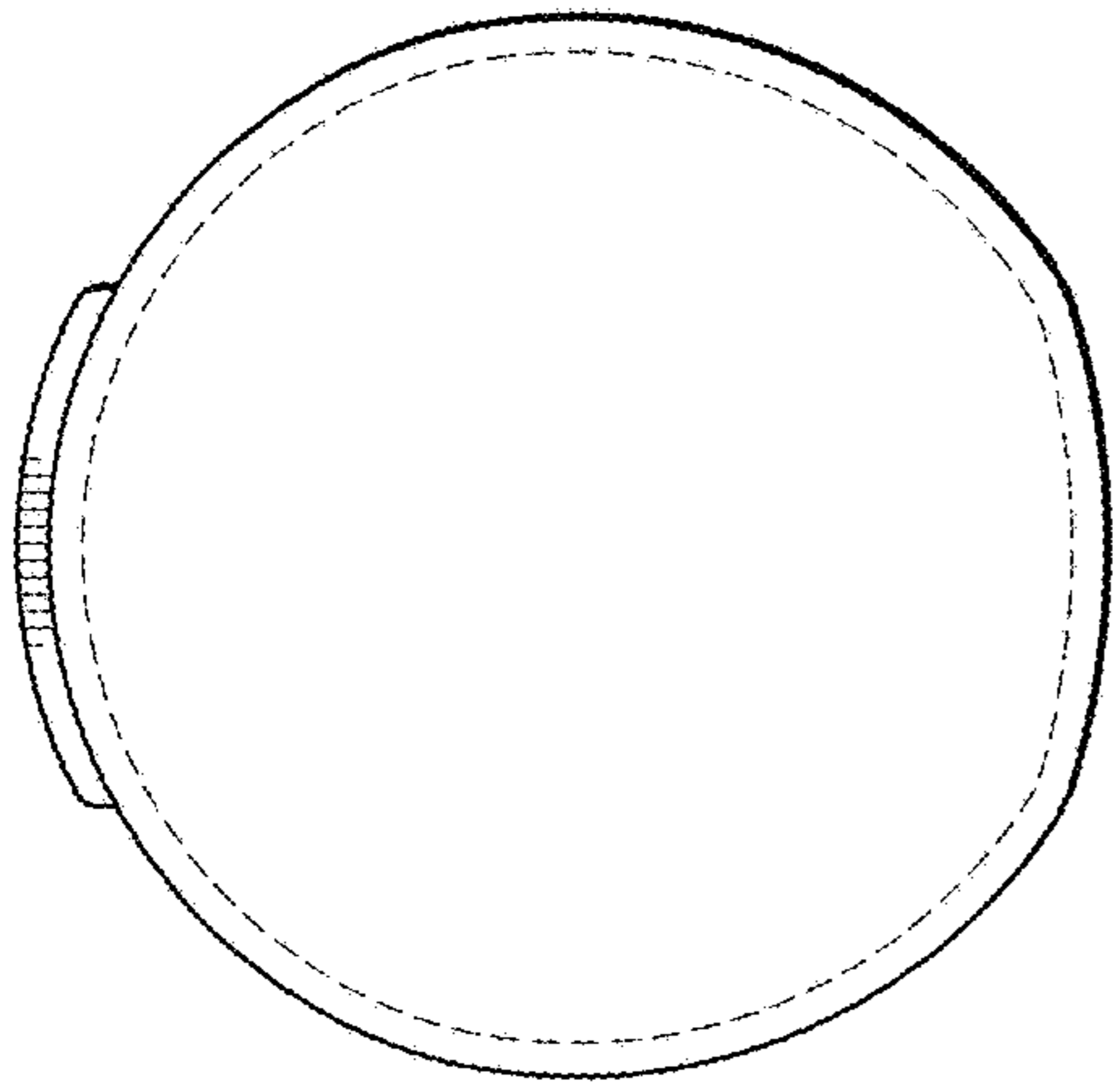


FIG. 9

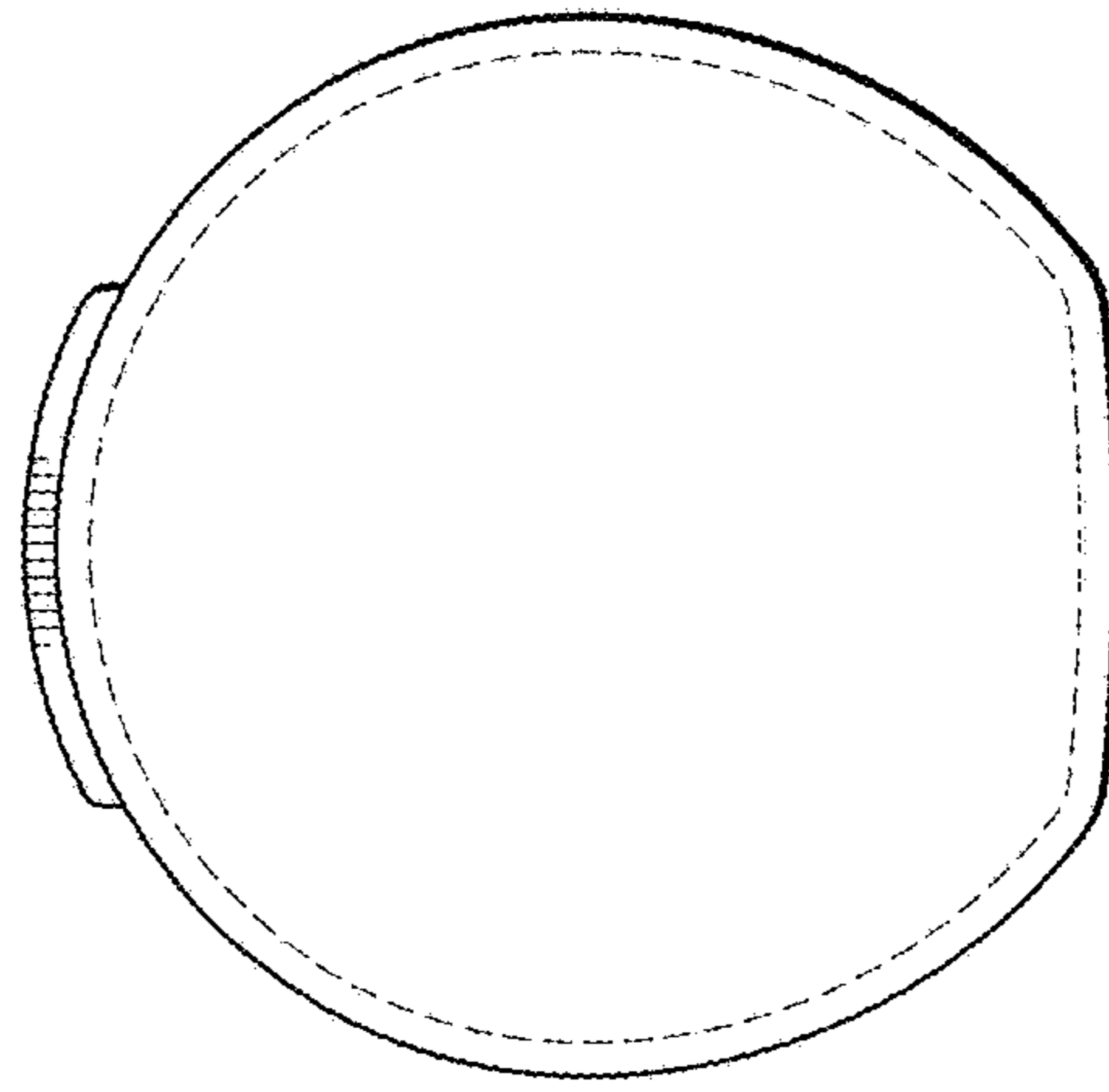


FIG. 11

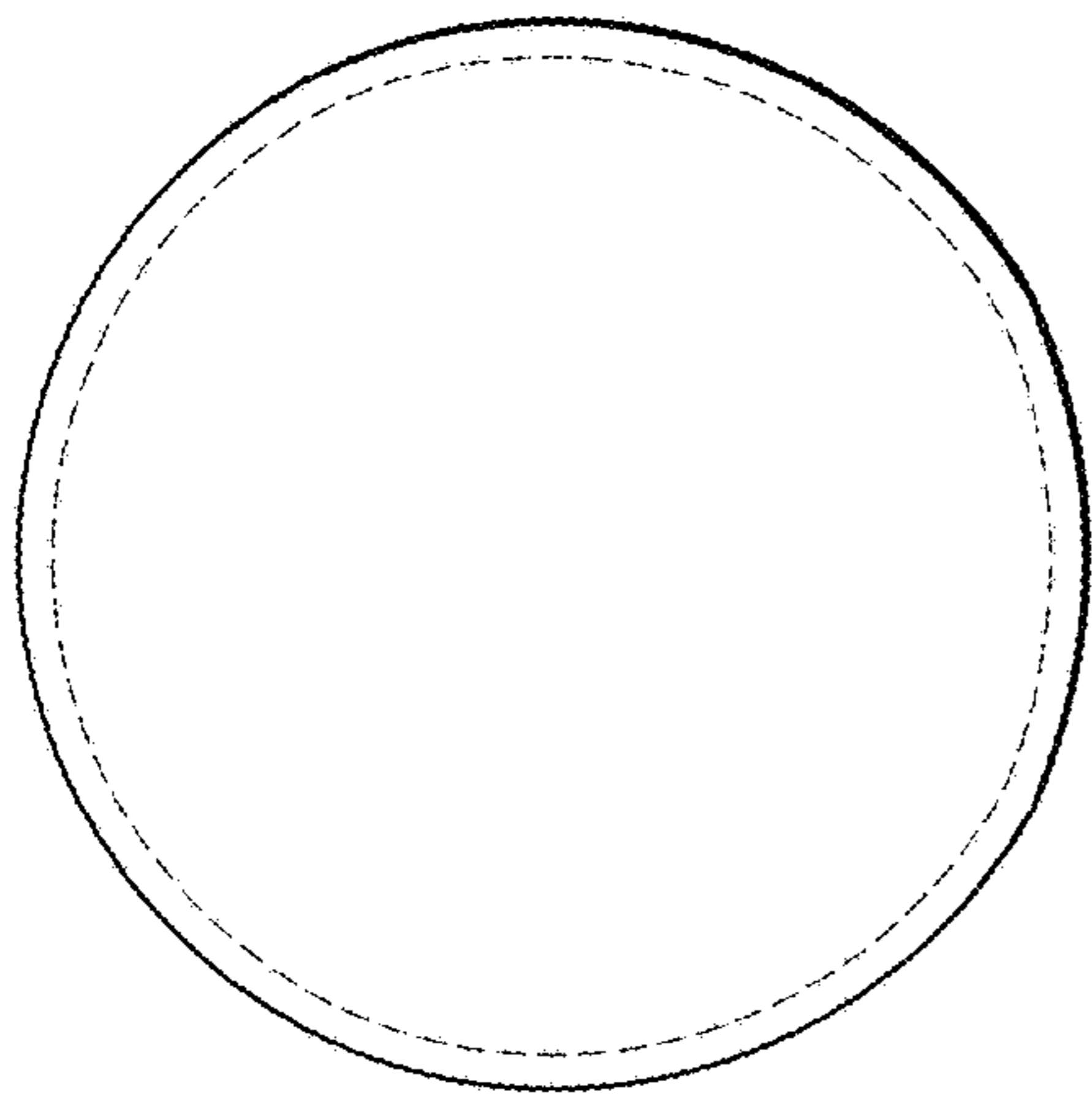


FIG. 8

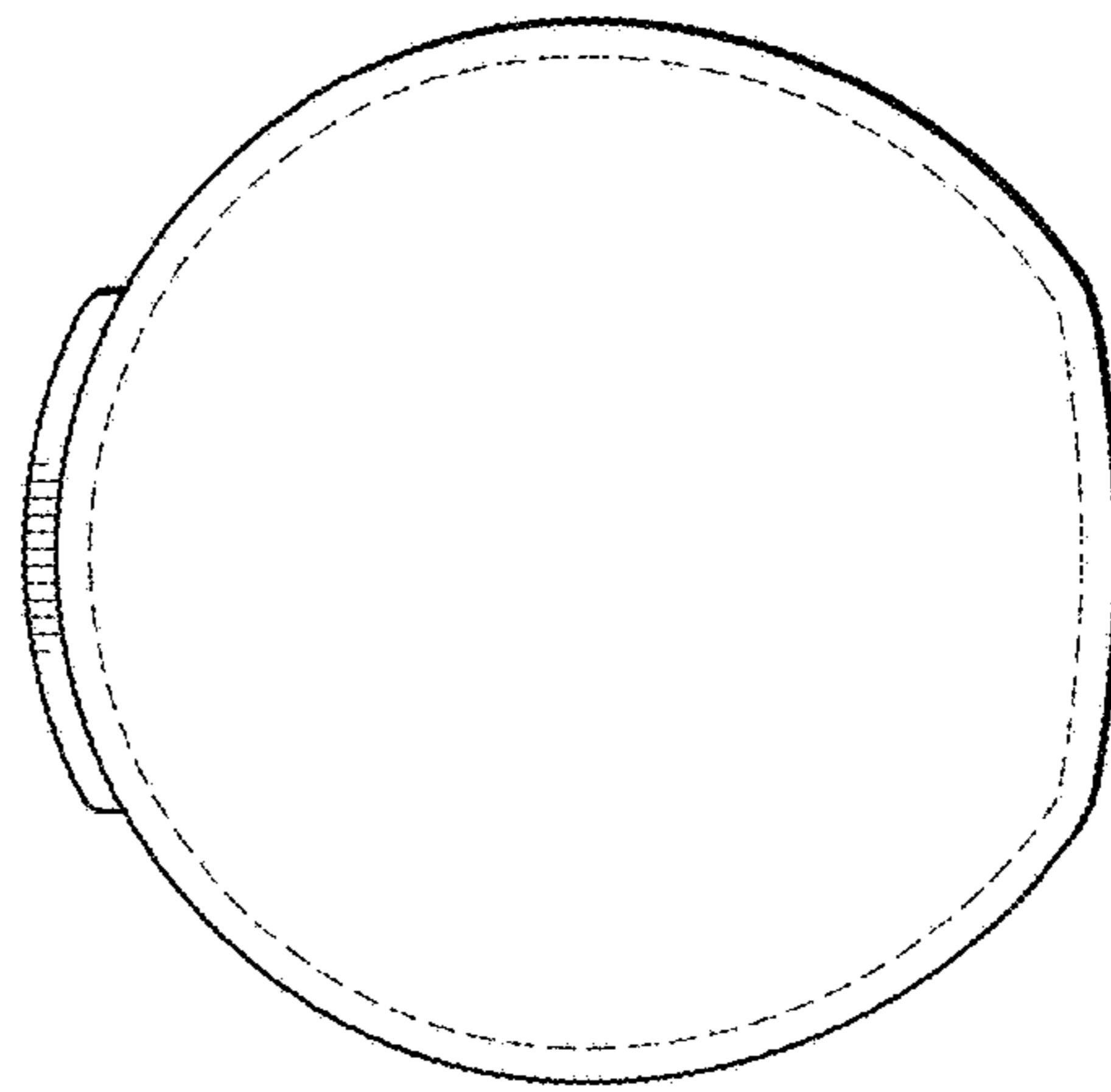


FIG. 10

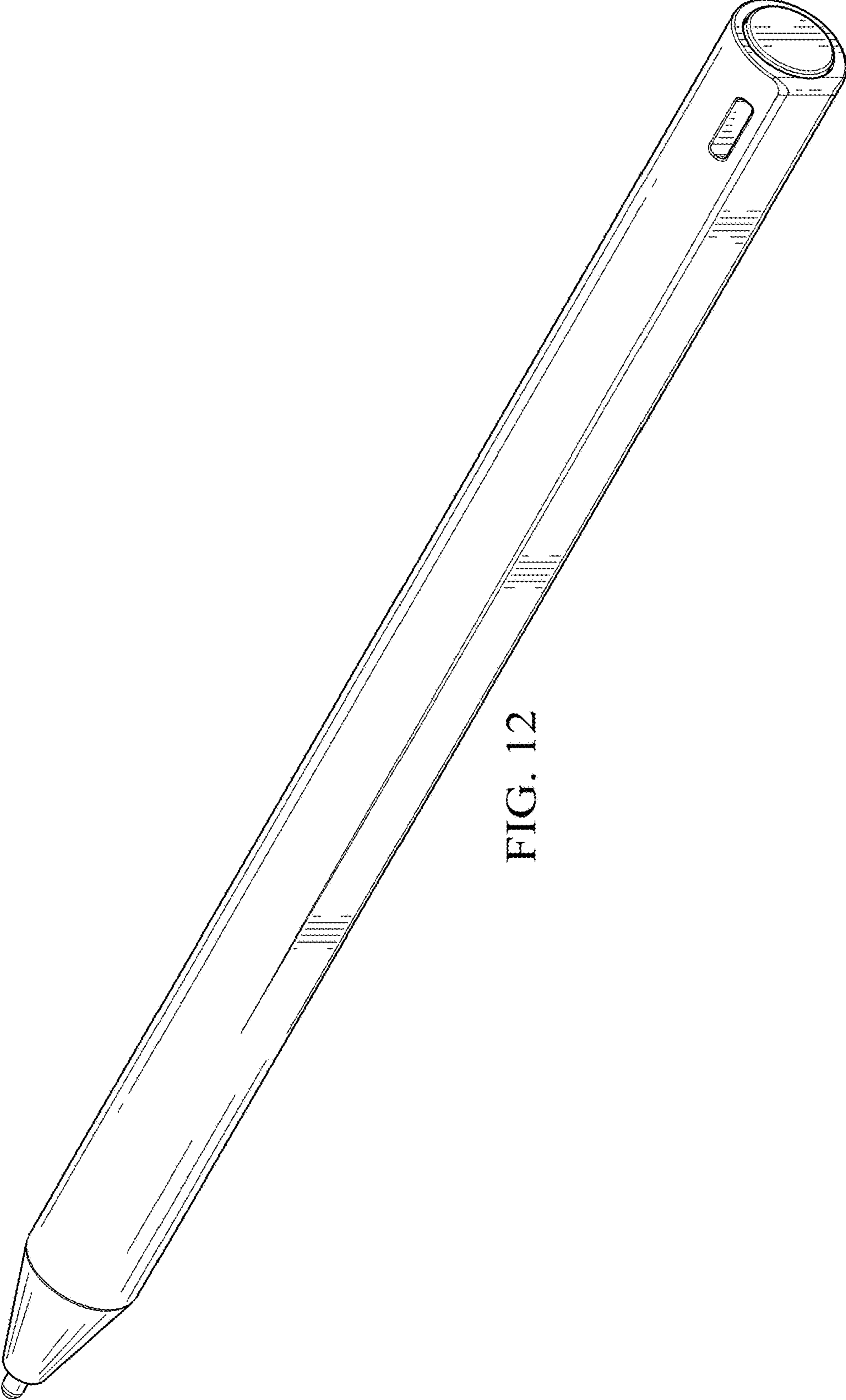


FIG. 12

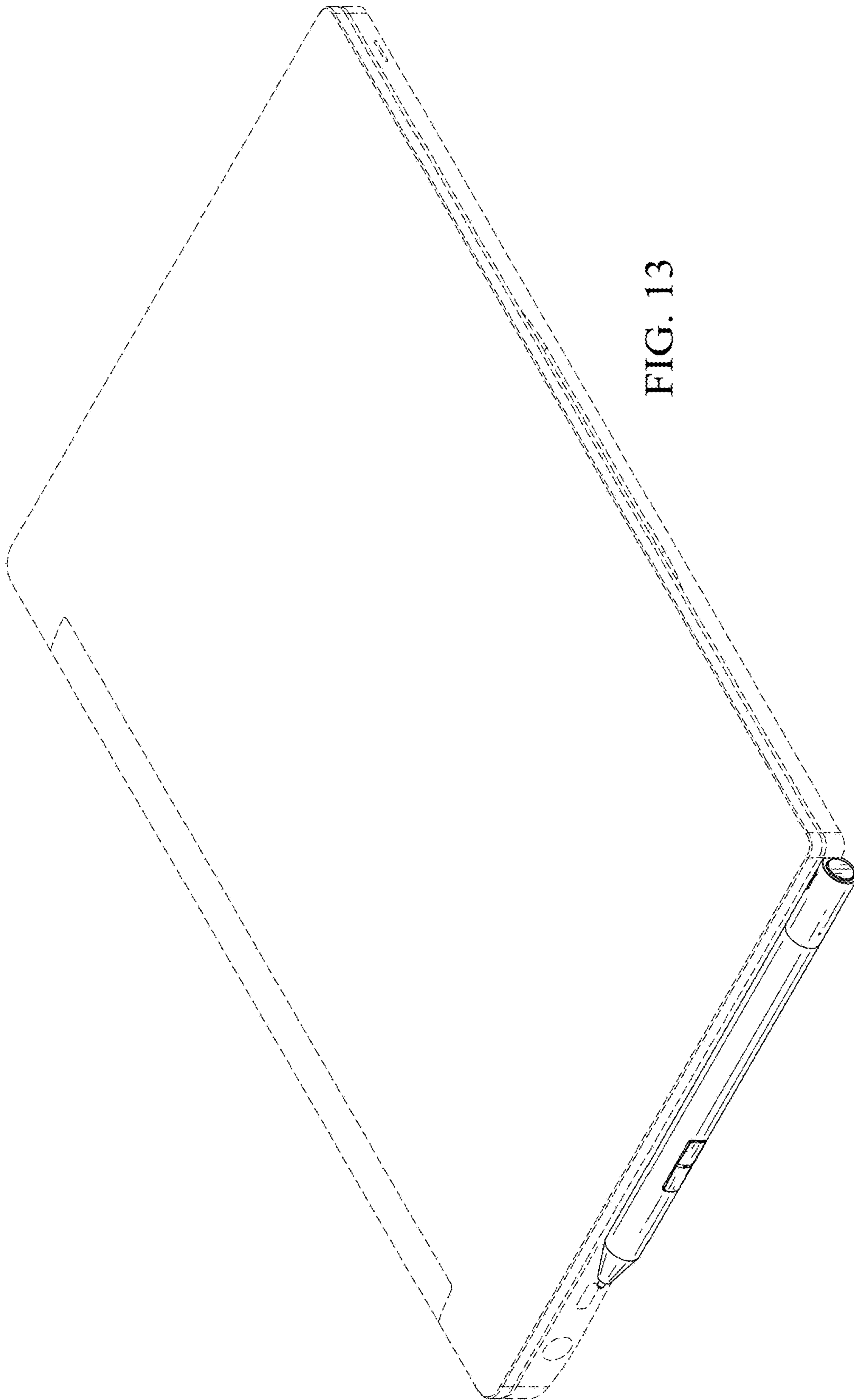


FIG. 13