



US00D835103S

(12) **United States Design Patent** (10) **Patent No.:** **US D835,103 S**  
**Jeon et al.** (45) **Date of Patent:** **\*\* Dec. 4, 2018**

(54) **MONITOR COMBINED WITH FOUR-SIDES VIDEO DISPLAY**

11/041; F16M 11/126; F16M 11/04;  
F16M 11/24; F16M 13/02; A47F 5/00;  
G03B 21/145

(71) Applicant: **LG DISPLAY CO., LTD.**, Seoul (KR)

See application file for complete search history.

(72) Inventors: **Seung-o Jeon**, Seoul (KR); **Young-joon Yun**, Paju-si (KR); **Shin-suk Lee**, Gimpo-si (KR); **Dai-yun Lee**, Gimpo-si (KR)

(56) **References Cited**

U.S. PATENT DOCUMENTS

D424,538 S *	5/2000	Hayashi .....	D14/126
D514,104 S *	1/2006	Kawamoto .....	D14/374
D681,740 S *	5/2013	Hase .....	D20/42
D690,295 S *	9/2013	Fletcher .....	D14/336
D762,772 S *	8/2016	Tsuruoka .....	D14/371

(73) Assignee: **LG Display Co., Ltd.**, Seoul (KR)

\* cited by examiner

(\*\*) Term: **15 Years**

*Primary Examiner* — Freda S Nunn

(21) Appl. No.: **29/618,711**

(74) *Attorney, Agent, or Firm* — Birch, Stewart, Kolasch & Birch, LLP

(22) Filed: **Sep. 22, 2017**

(30) **Foreign Application Priority Data**

Apr. 18, 2017 (KR) ..... 30-2017-0017909

(51) **LOC (11) Cl.** ..... **14-02**

(52) **U.S. Cl.**  
USPC ..... **D14/374**

(58) **Field of Classification Search**  
USPC ..... D14/371-375, 125-129, 336, 337;  
D6/300, 308; D19/113, 114; D20/10  
CPC ..... G09F 15/0025; G09F 15/0062; G09F  
15/0068; G06F 1/16; G06F 1/1613; G06F  
1/133308; G06F 1/1601; G06F 3/037;  
G06F 1/162; F16M 11/02; F16M 11/10;  
F16M 11/00; F16M 11/06; F16M 11/18;  
F16M 11/045; F16M 11/105; F16M

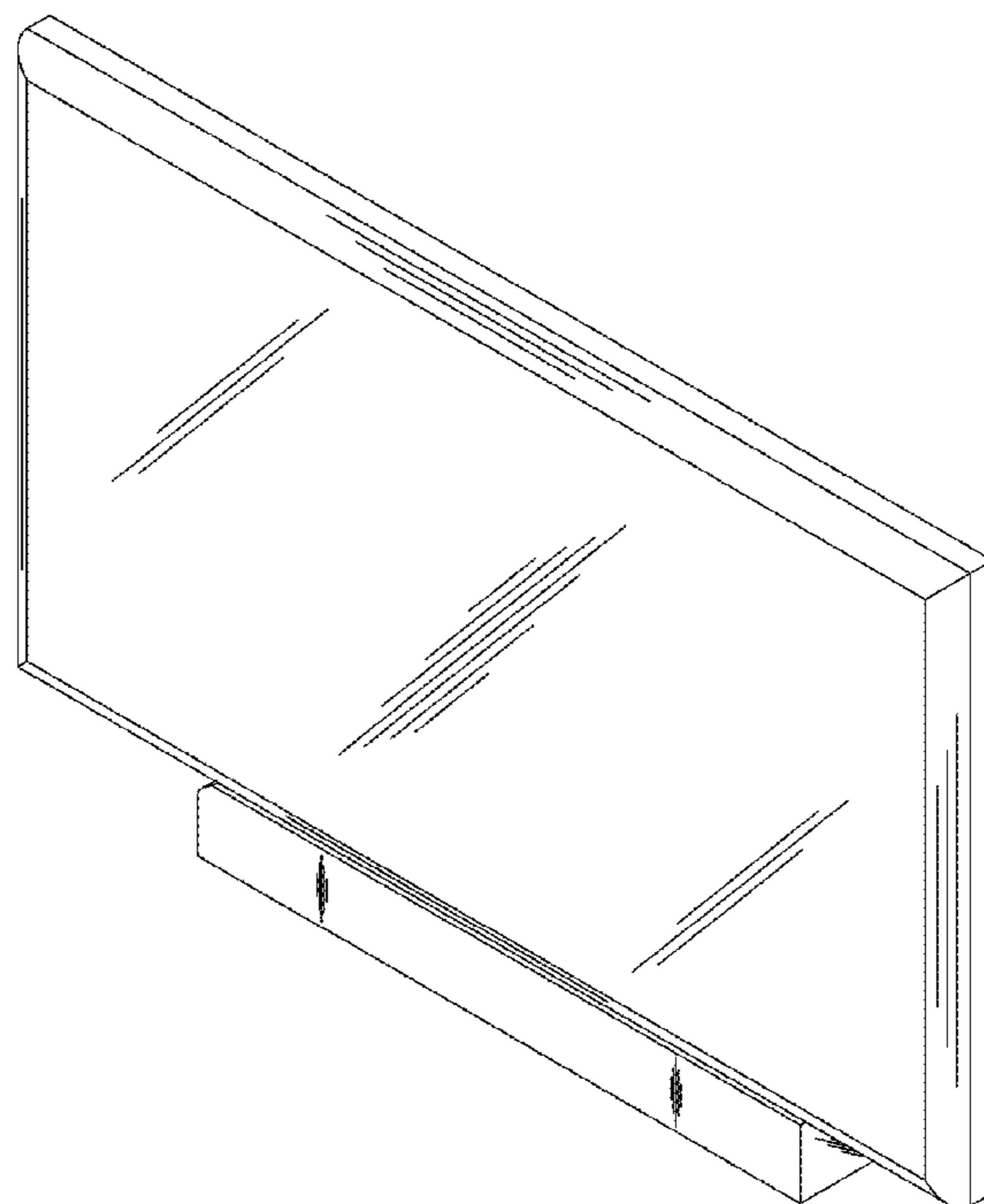
(57) **CLAIM**

The ornamental design for a monitor combined with four-sides video display, as shown and described.

**DESCRIPTION**

FIG. 1 is a front, right perspective view of the monitor combined with four-sides video display showing our new design;  
FIG. 2 is a front view thereof;  
FIG. 3 is a rear view thereof;  
FIG. 4 is a left side view thereof;  
FIG. 5 is a right side view thereof;  
FIG. 6 is a top view thereof; and,  
FIG. 7 is a bottom view thereof.

**1 Claim, 7 Drawing Sheets**



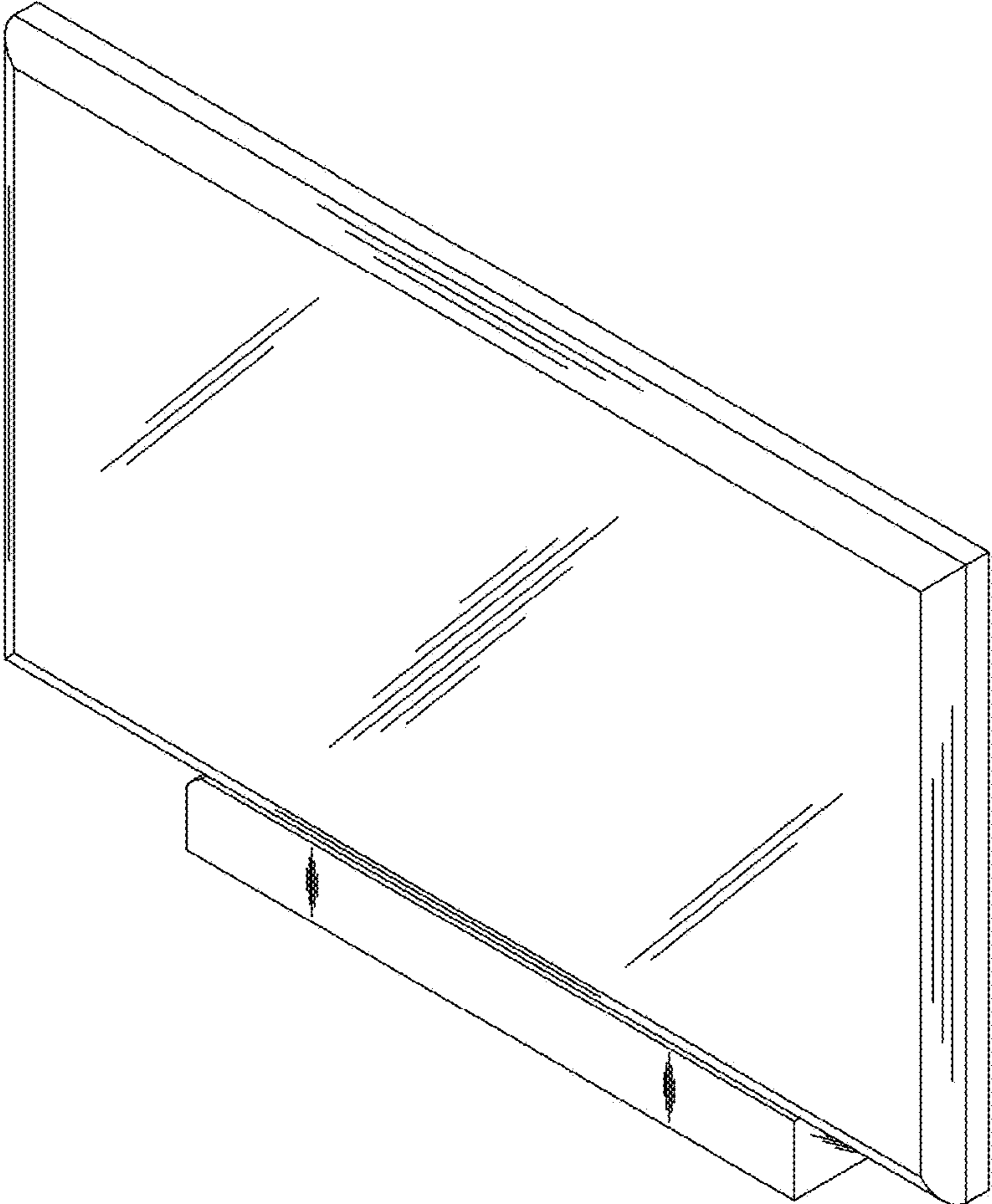


Fig. 1

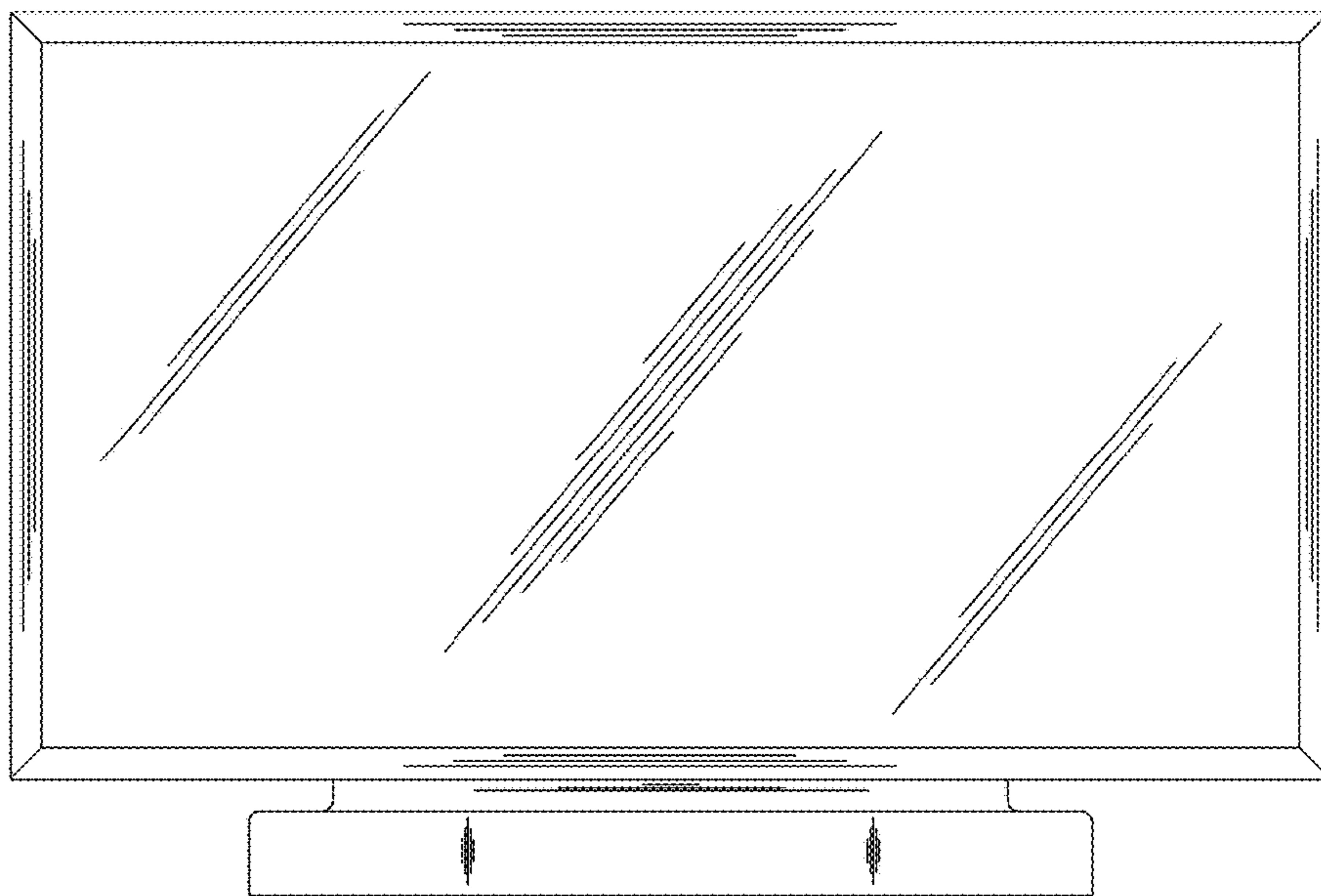


Fig. 2

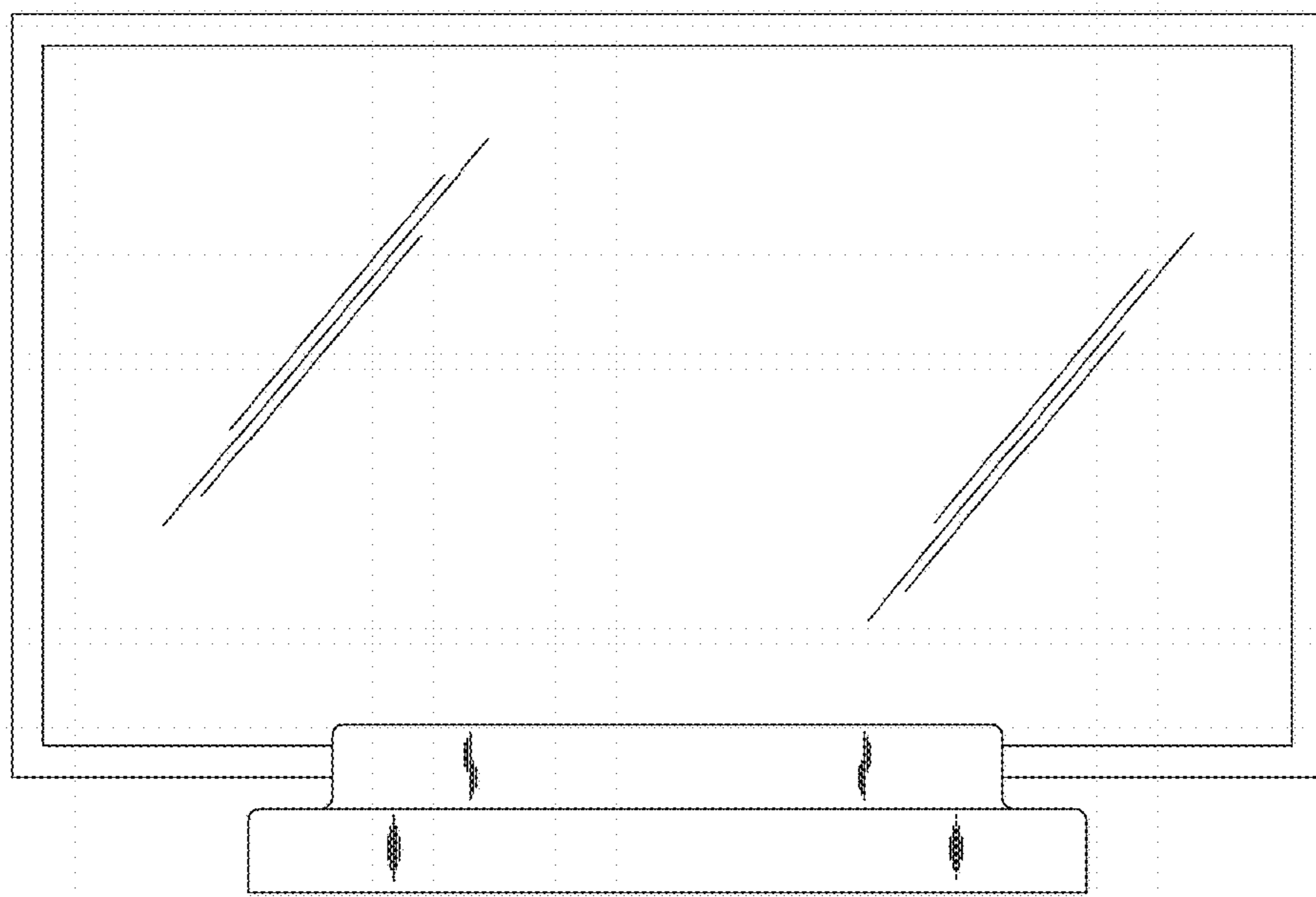


Fig. 3

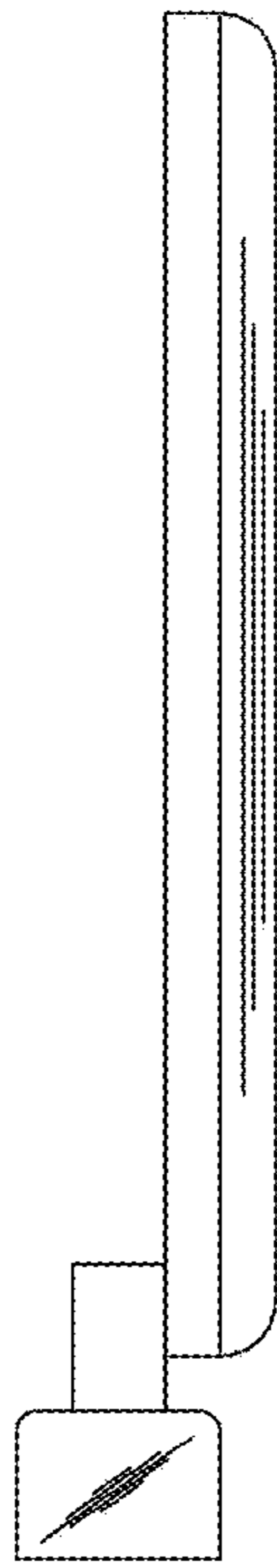


Fig. 4

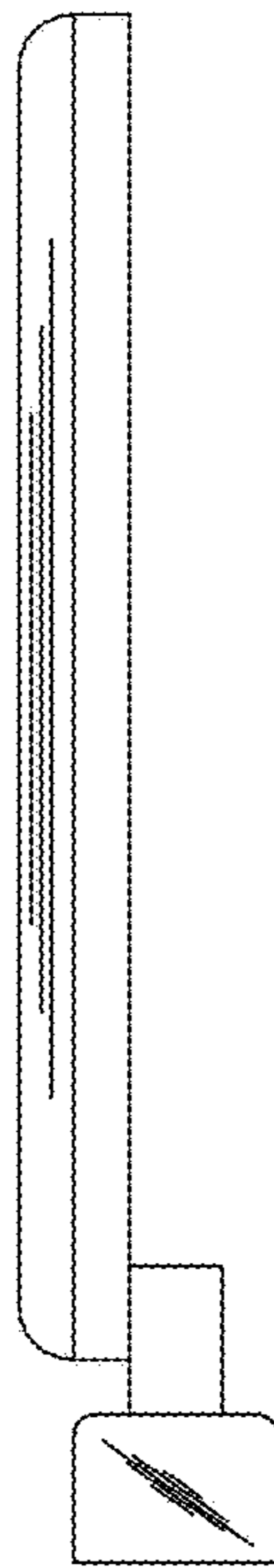


Fig. 5

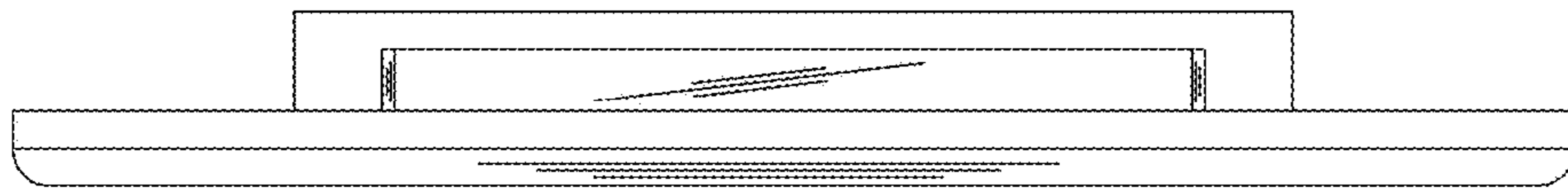


Fig. 6

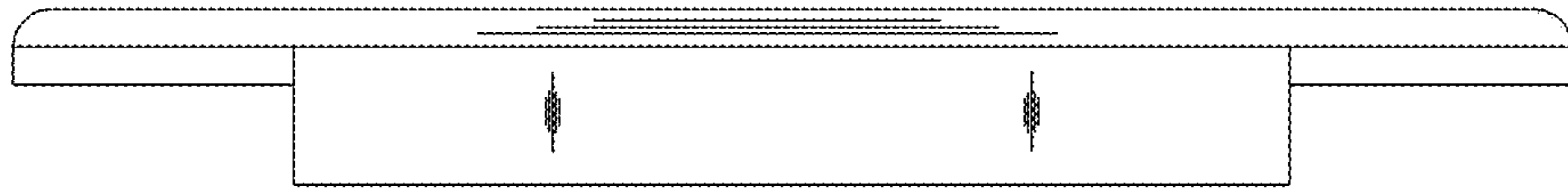


Fig. 7