



US00D835102S

(12) **United States Design Patent** (10) **Patent No.:** **US D835,102 S**
Raffle et al. (45) **Date of Patent:** **** Dec. 4, 2018**

(54) **VIRTUAL REALITY HEADSET**

(71) Applicant: **GOOGLE INC.**, Mountain View, CA (US)

(72) Inventors: **Hayes S. Raffle**, Palo Alto, CA (US); **Erik Hubert Dolly Goossens**, San Francisco, CA (US); **Michael Simonian**, San Francisco, CA (US); **Maaiké Evers**, San Francisco, CA (US); **Albert Lee**, Mountain View, CA (US); **Byeong Seon Oh**, Sunnyvale, CA (US); **Phan Thao Benno Dang**, San Francisco, CA (US); **Gerald Kirk McGinty, Jr.**, Mountain View, CA (US); **Dan Odell**, Mountain View, CA (US); **Basheer Tome**, San Francisco, CA (US)

(73) Assignee: **GOOGLE LLC**, Mountain View, CA (US)

(**) Term: **15 Years**

(21) Appl. No.: **29/579,778**

(22) Filed: **Oct. 3, 2016**

(51) **LOC (11) Cl.** **14-02**

(52) **U.S. Cl.**
USPC **D14/372**

(58) **Field of Classification Search**
USPC D14/372, 496, 432, 371, 125, 126, 129, D14/299; D16/300-342; 351/158, 153, 351/144; 345/7-9, 905; 455/344; 348/115, 53, 121, 739
CPC G02B 27/017; G02B 27/0158; G02B 27/0161; G02B 27/0181; G02B 27/0185; G02B 27/0189

See application file for complete search history.

(56) **References Cited**

U.S. PATENT DOCUMENTS

D732,028 S	6/2015	Kim et al.	
D738,374 S *	9/2015	Luckey	D14/372
D749,580 S	2/2016	Kim et al.	
D752,680 S	3/2016	Kim et al.	
D753,111 S	4/2016	Zhu et al.	
D759,654 S *	6/2016	Sullivan	D14/372
D764,465 S	8/2016	Clement et al.	

(Continued)

FOREIGN PATENT DOCUMENTS

CN	303746276 S	7/2016
EM	003099969-0001	5/2016
JP	1549959 S	5/2016

Primary Examiner — Austin Murphy
(74) *Attorney, Agent, or Firm* — Brake Hughes Bellermann LLP

(57) **CLAIM**

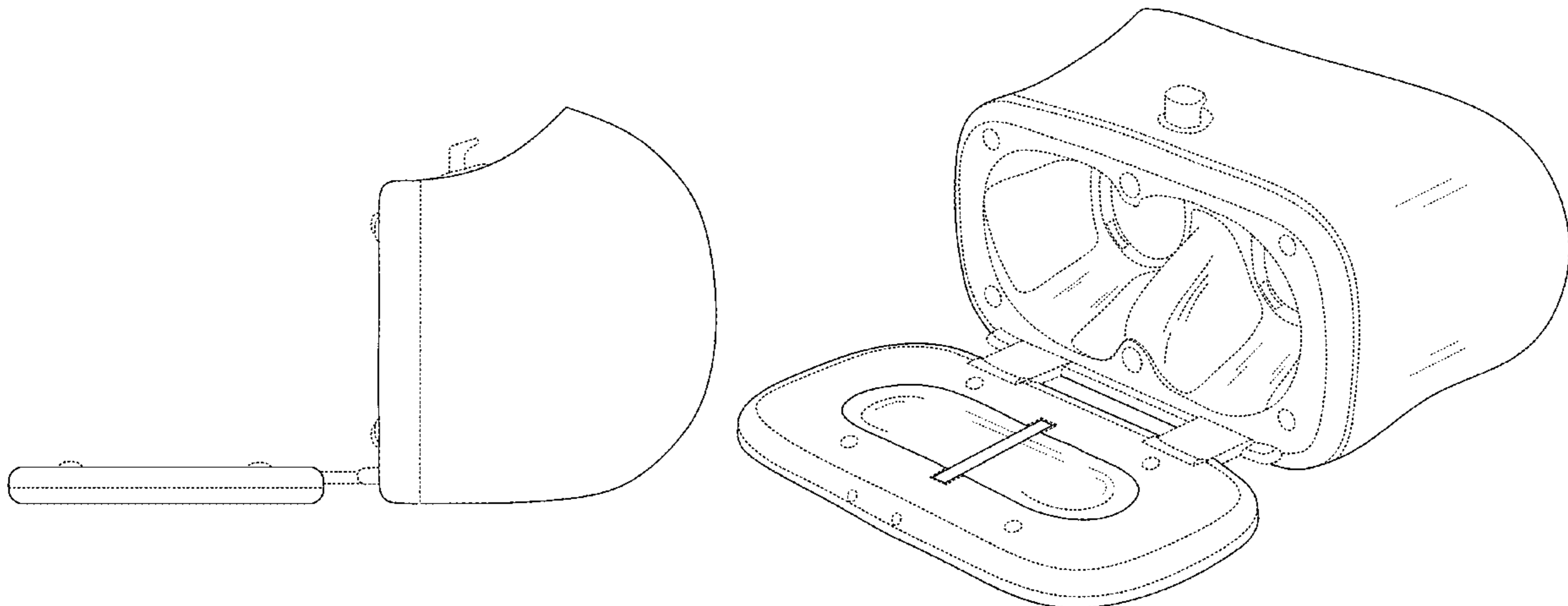
What is claimed is an ornamental design for a virtual reality headset, as shown and described herein.

DESCRIPTION

FIG. 1 is a top view of a virtual reality headset; FIG. 2 is a front-side view of the virtual reality headset shown in FIG. 1; FIG. 3 is a left-side view of the virtual reality headset shown in FIG. 1; FIG. 4 is a right-side view of the virtual reality headset shown in FIG. 1; FIG. 5 is a bottom view of the virtual reality headset shown in FIG. 1; FIG. 6 is a perspective view of the virtual reality headset shown in FIG. 1; and, FIG. 7 is a back-side view of the virtual reality headset shown in FIG. 1.

Any broken lines in the drawings are for purposes of illustrating portions and form no part of the claimed design.

1 Claim, 7 Drawing Sheets



(56)

References Cited

U.S. PATENT DOCUMENTS

D764,466 S * 8/2016 Kim D14/372
D771,627 S * 11/2016 Ko D14/372
D773,460 S 12/2016 Yang et al.
D775,128 S * 12/2016 Zellweger D14/372
D775,129 S * 12/2016 Zellweger D14/372
D776,111 S 1/2017 Baldassi et al.
D777,164 S * 1/2017 Zellweger D14/372
D778,909 S 2/2017 Nokuo
D779,486 S * 2/2017 Zellweger D14/372
D781,290 S 3/2017 Kim et al.
D785,619 S 5/2017 Su
D791,127 S 7/2017 Sullivan et al.
D791,129 S 7/2017 Sullivan et al.
D792,399 S * 7/2017 Thomas D14/372
D800,117 S * 10/2017 Yee D14/372
D801,970 S 11/2017 Pickett et al.
D805,514 S 12/2017 Clement
D805,515 S 12/2017 Bowes et al.
D807,354 S * 1/2018 Yee D14/372
D810,742 S * 2/2018 Robertson D14/372
D810,743 S * 2/2018 Yee D14/372

* cited by examiner

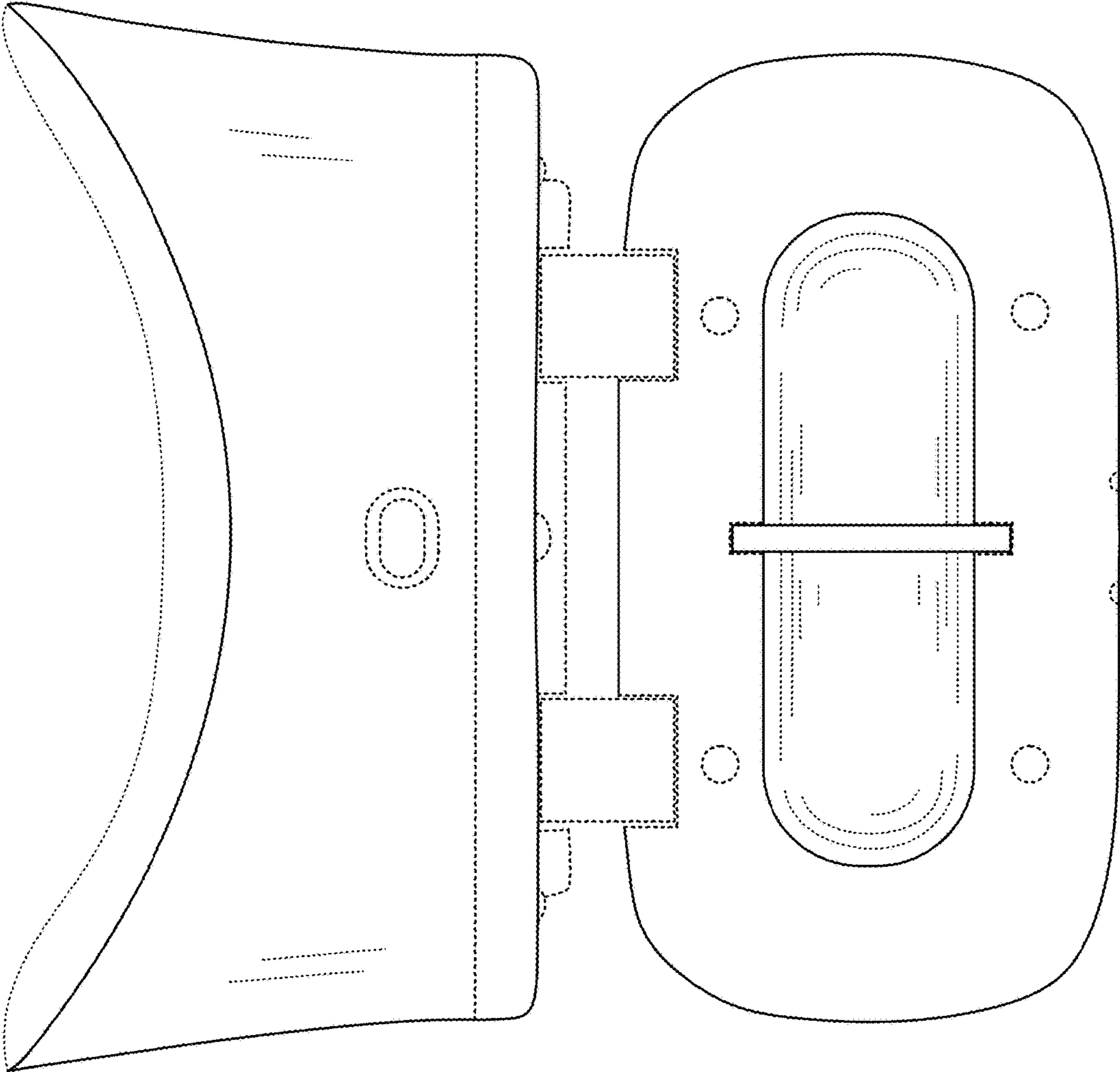


FIG. 1

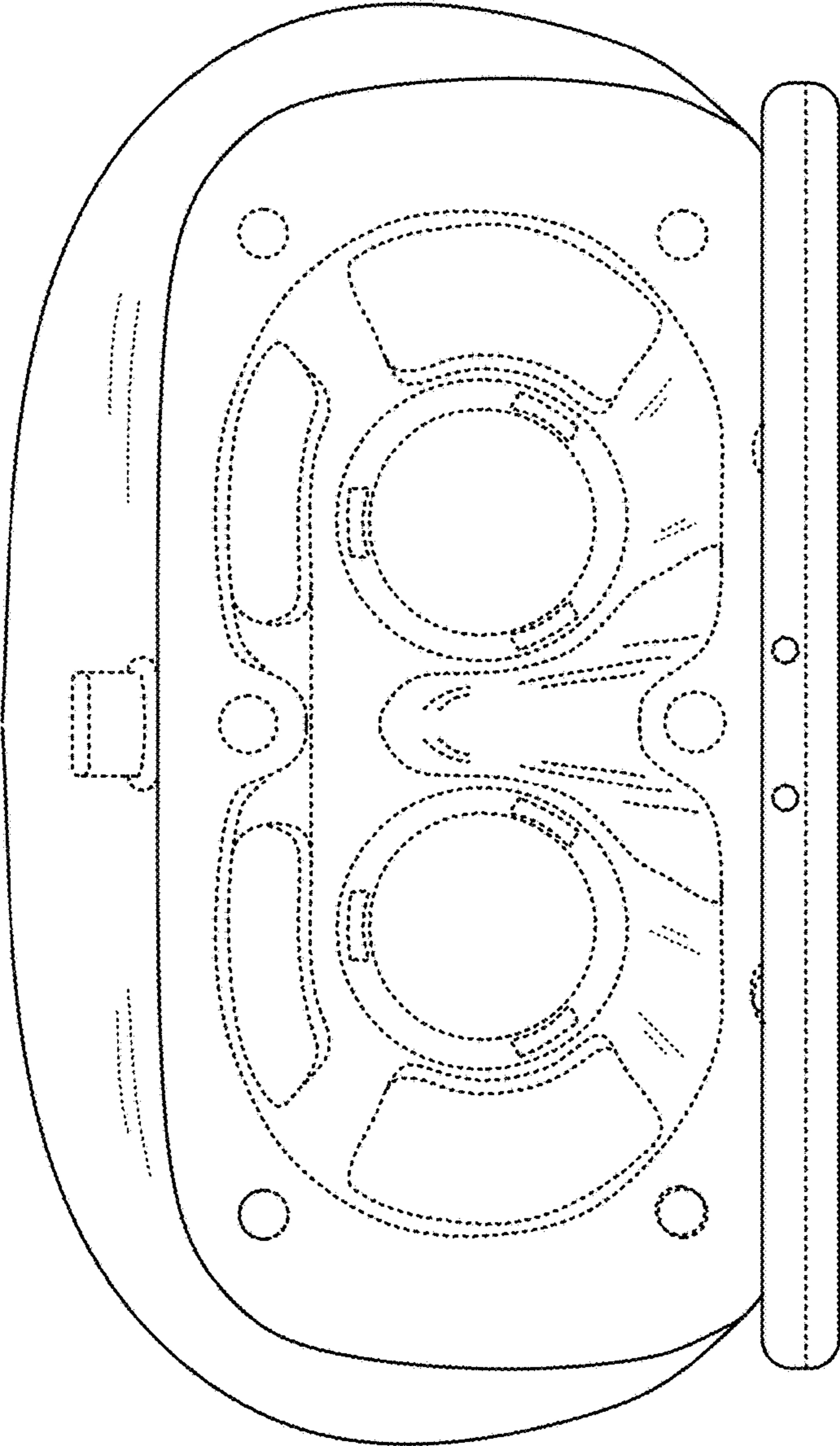


FIG. 2

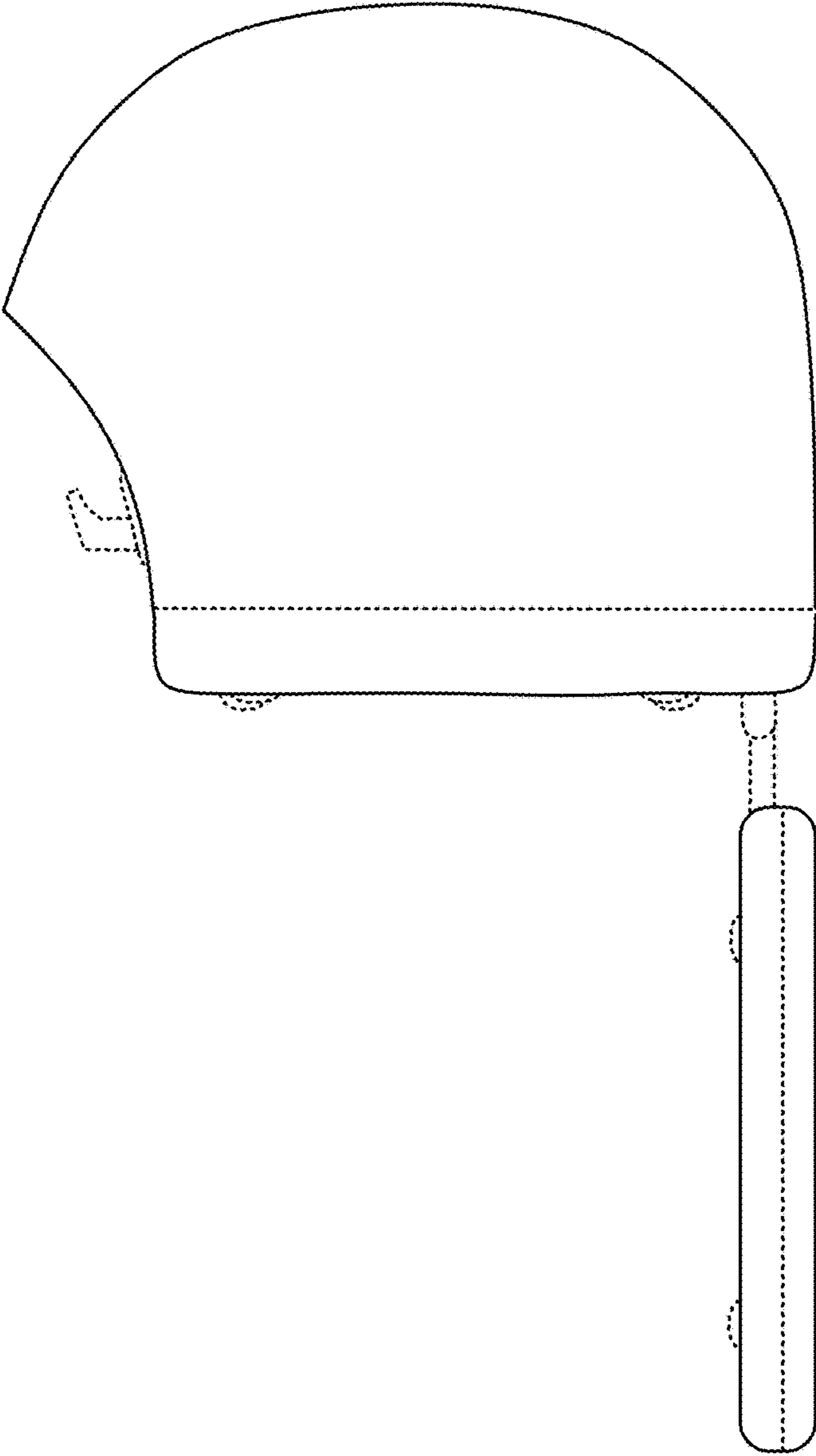


FIG. 3

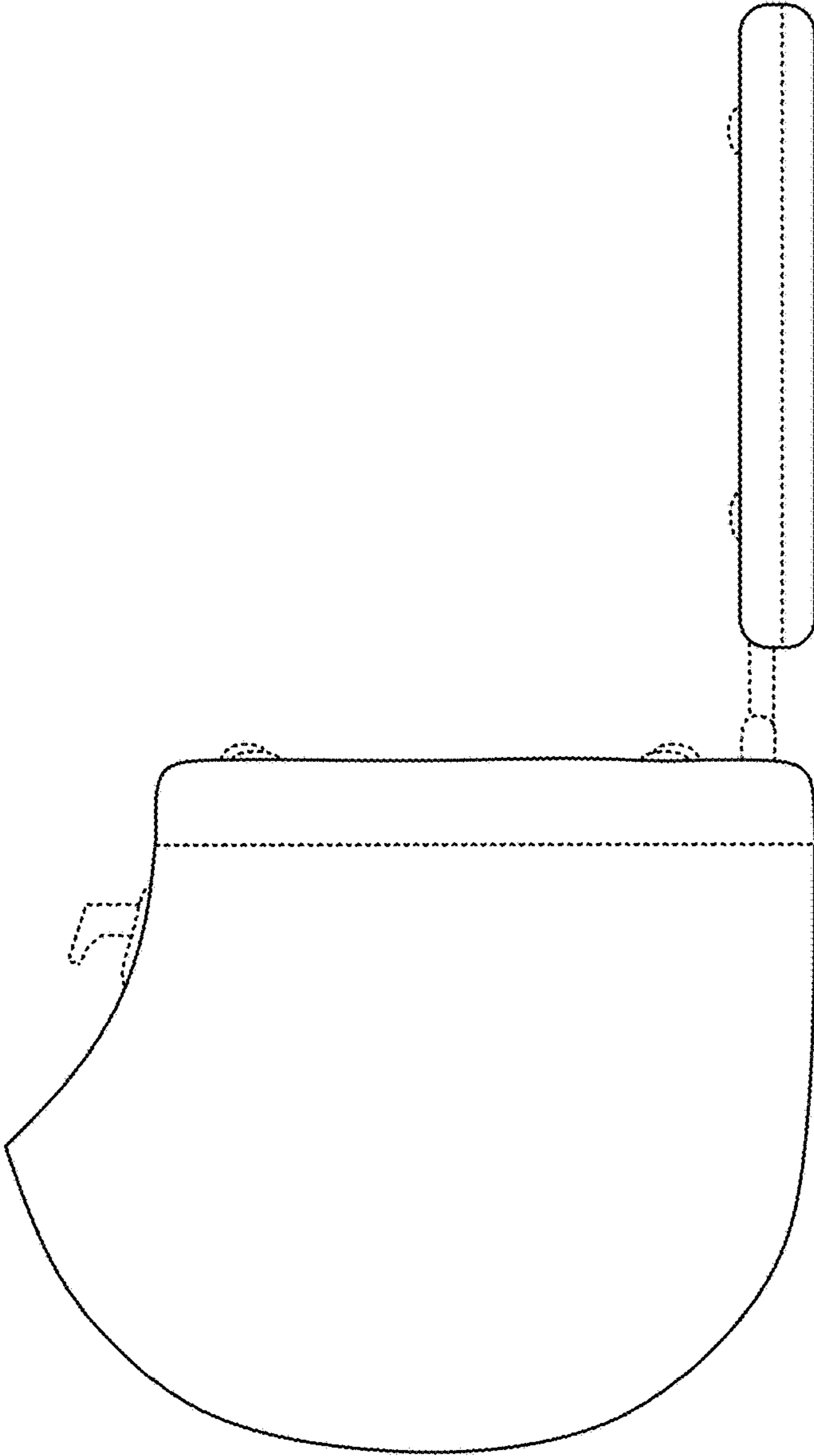


FIG. 4

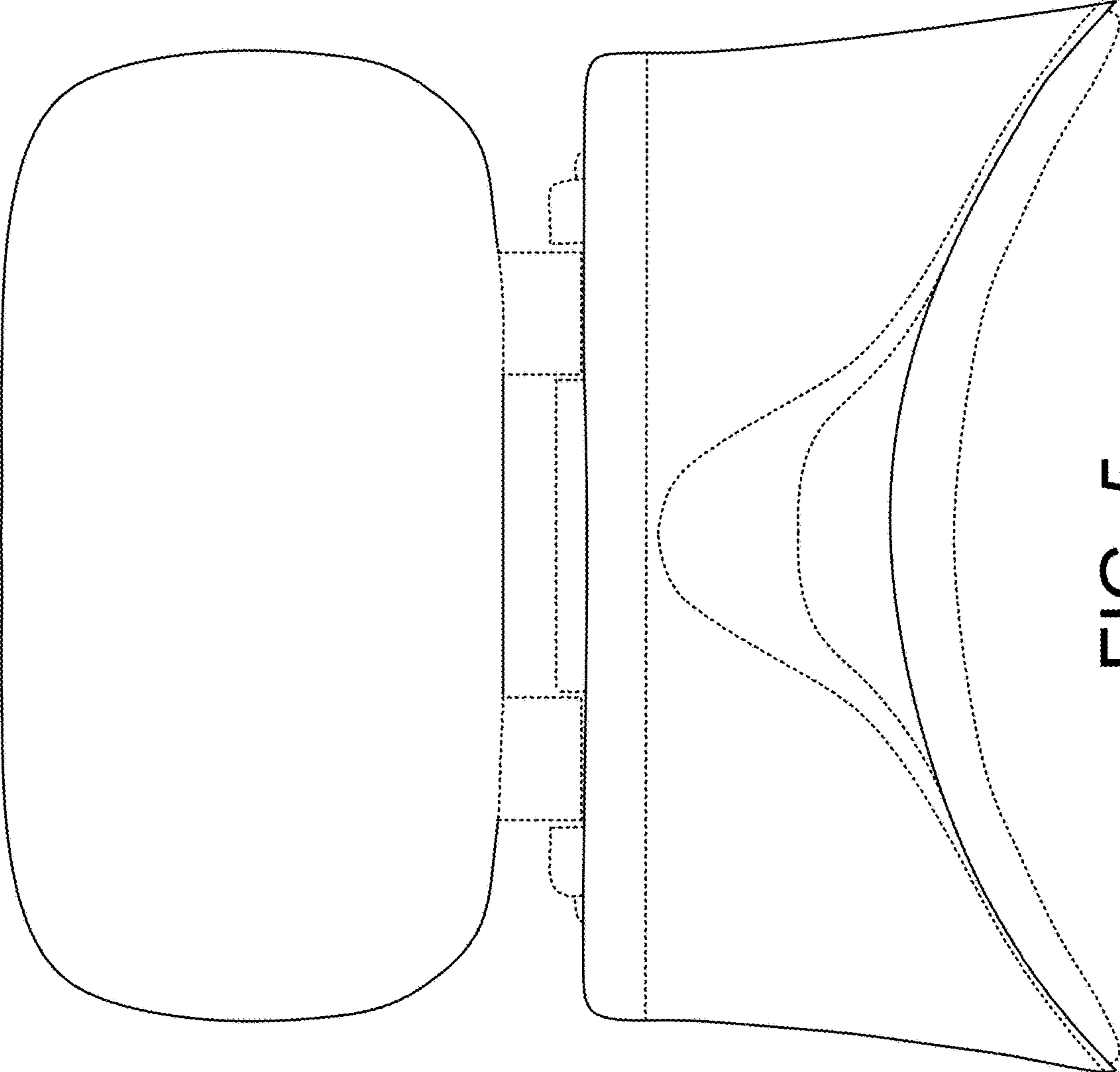


FIG. 5

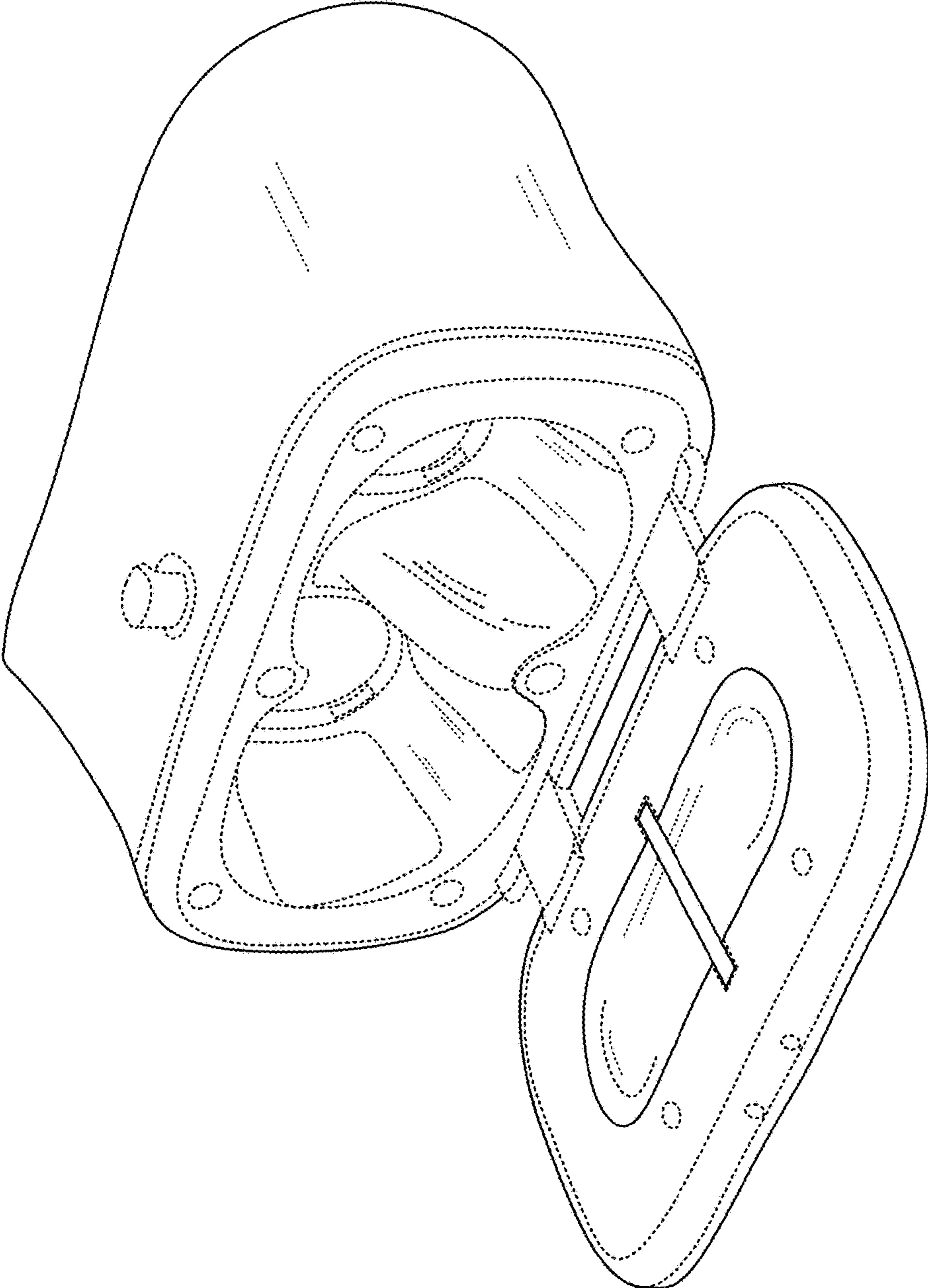


FIG. 6

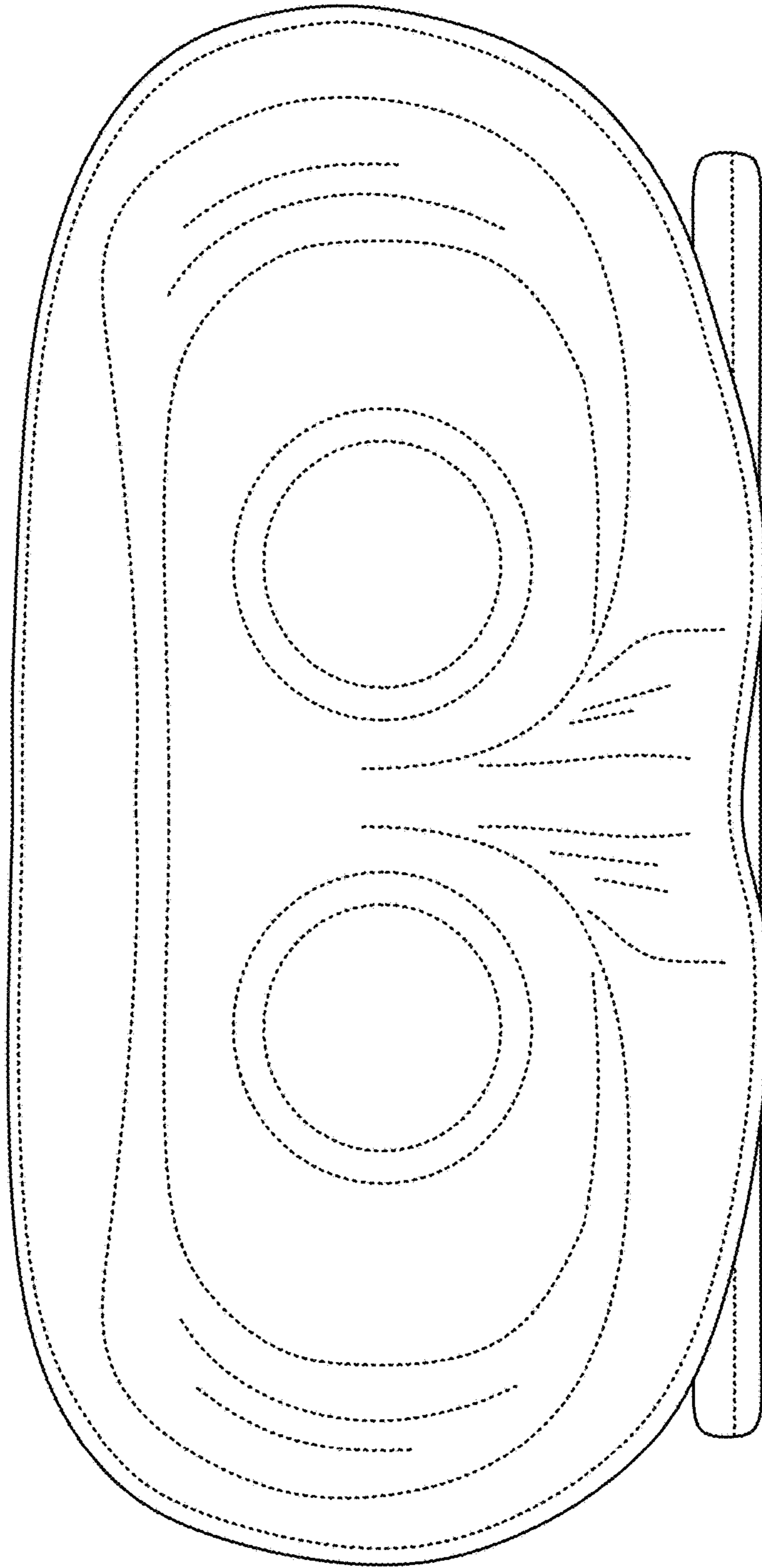


FIG. 7