



US00D835101S

(12) **United States Design Patent** (10) **Patent No.:** **US D835,101 S**
Kim (45) **Date of Patent:** **** Dec. 4, 2018**

(54) **MONITOR**

(71) Applicant: **KOSTEC Co., Ltd.**, Wonju-si,
Gangwon-do (KR)
(72) Inventor: **Ran Gweon Kim**, Asan-si (KR)
(73) Assignee: **KOSTEC Co., Ltd.**, Wonju-si,
Gangwon-do (KR)
(**) Term: **15 Years**

(21) Appl. No.: **29/605,761**

(22) Filed: **May 30, 2017**

(30) **Foreign Application Priority Data**

Dec. 28, 2016 (KR) 30-2016-0063952

(51) **LOC (11) Cl.** **14-02**

(52) **U.S. Cl.**
USPC **D14/371**

(58) **Field of Classification Search**

USPC D14/371-375, 125-129, 336, 337;
D6/300, 308; D19/113, 114; D20/10
CPC G09F 15/0025; G09F 15/0062; G09F
15/0068; G06F 1/16; G06F 1/1613; G06F
1/133308; G06F 1/1601; G06F 3/037;
G06F 1/162; F16M 11/02; F16M 11/05;
F16M 11/10; F16M 11/00; F16M 11/06;
F16M 11/18; F16M 11/045; F16M
11/105; F16M 11/041; F16M 11/126;
F16M 11/04; F16M 11/24; F16M 13/02;
A47F 5/00

See application file for complete search history.

(56) **References Cited**

U.S. PATENT DOCUMENTS

D517,549 S *	3/2006	Depay	D14/375
7,014,154 B2 *	3/2006	Jeong	F16M 11/105 248/157
D550,222 S *	9/2007	Park	D14/375
D554,120 S *	10/2007	Hasegawa	D14/375
D578,530 S *	10/2008	Hasegawa	D14/375
D619,135 S *	7/2010	Lin	D14/374
2004/0113031 A1 *	6/2004	Sung	F16M 11/105 248/146

* cited by examiner

Primary Examiner — Freda S Nunn

(74) *Attorney, Agent, or Firm* — Rabin & Berdo, P.C.

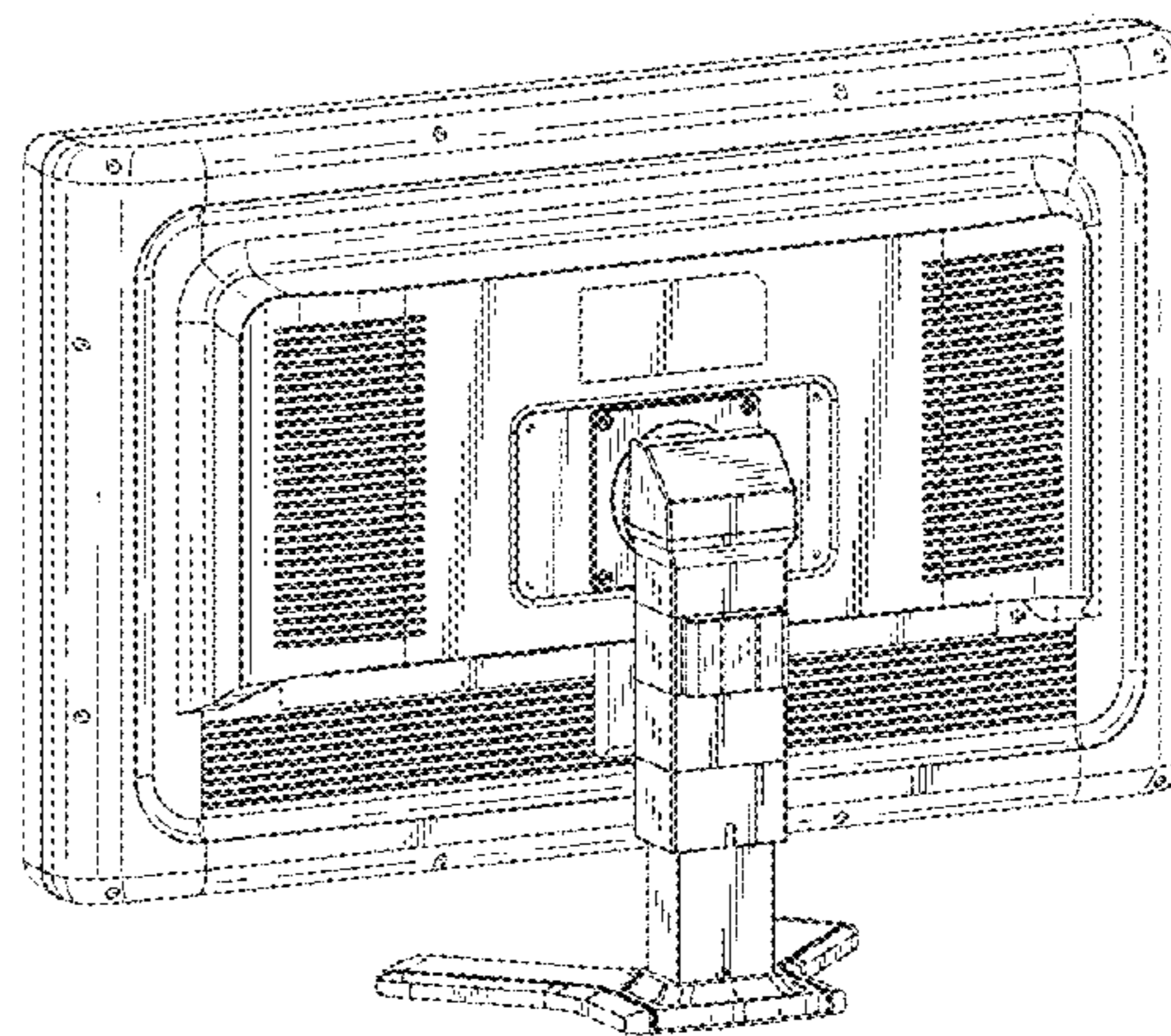
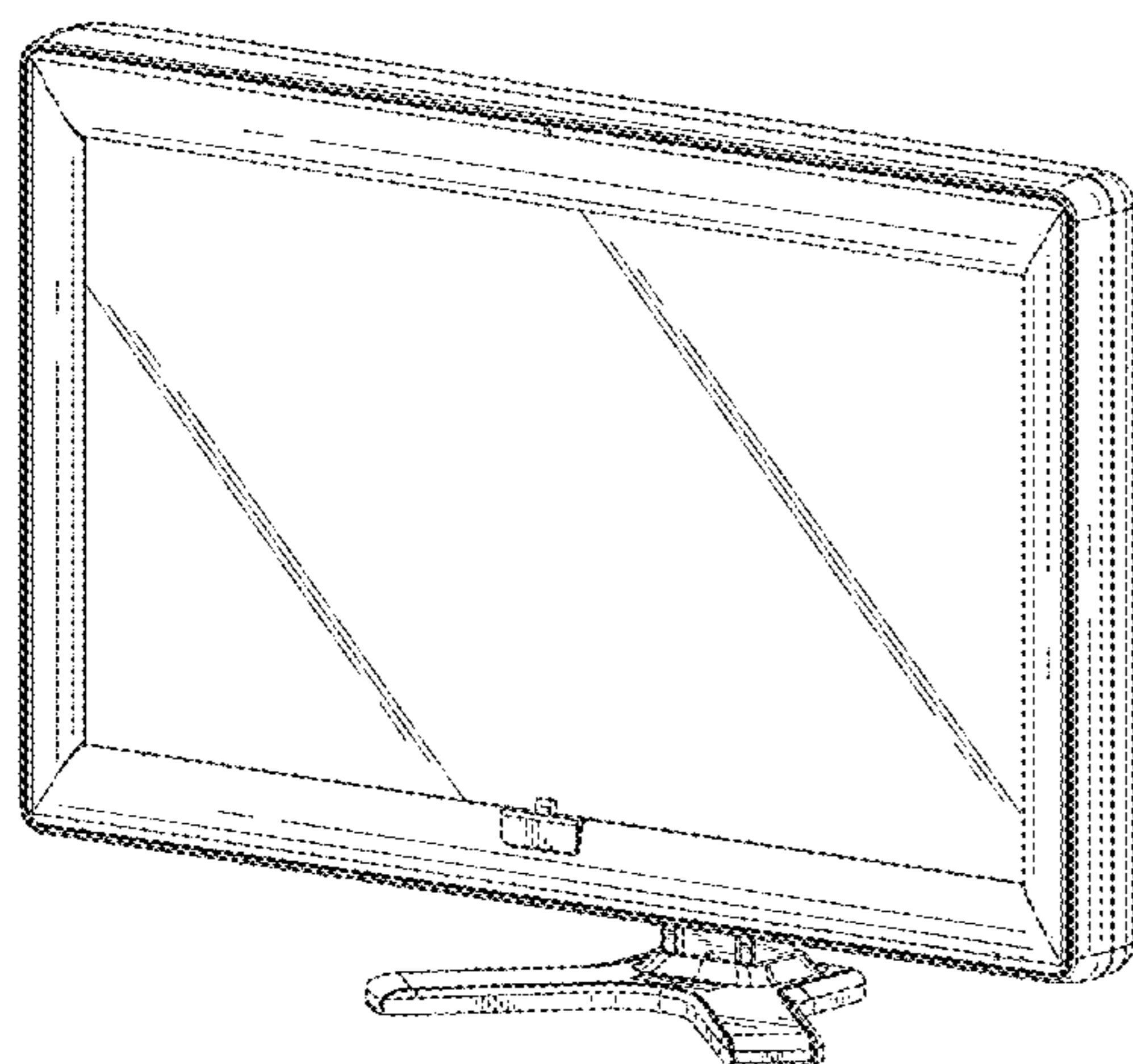
(57) **CLAIM**

The ornamental design for a monitor, as shown and described.

DESCRIPTION

FIG. 1 is a front perspective view of a monitor;
FIG. 2 is a front elevational view thereof;
FIG. 3 is a rear elevational view thereof;
FIG. 4 is a left side elevational view thereof;
FIG. 5 is a right side elevational view thereof;
FIG. 6 is a top plan view thereof;
FIG. 7 is a bottom plan view thereof; and,
FIG. 8 is a rear perspective view thereof.

1 Claim, 7 Drawing Sheets



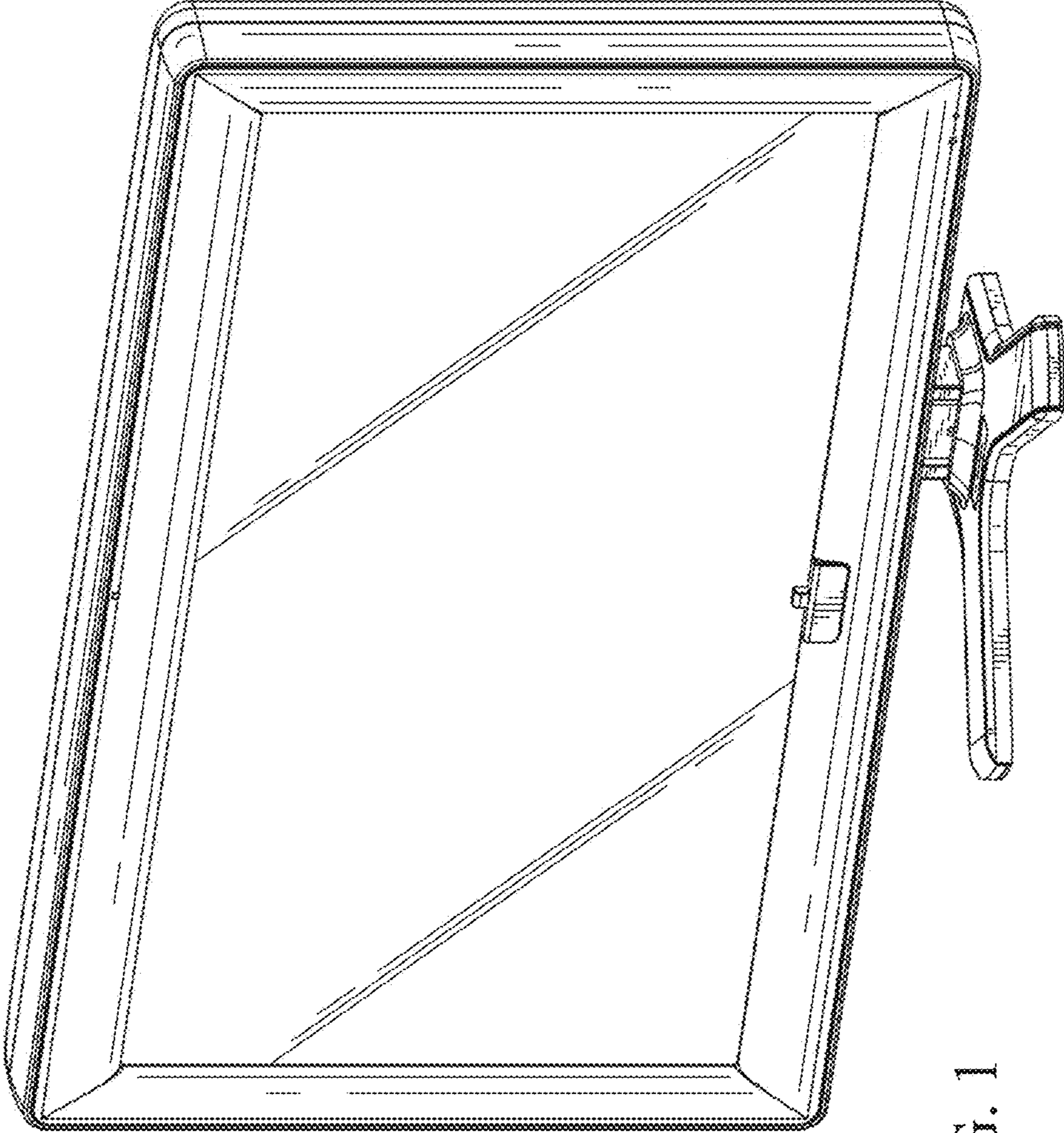


FIG. 1

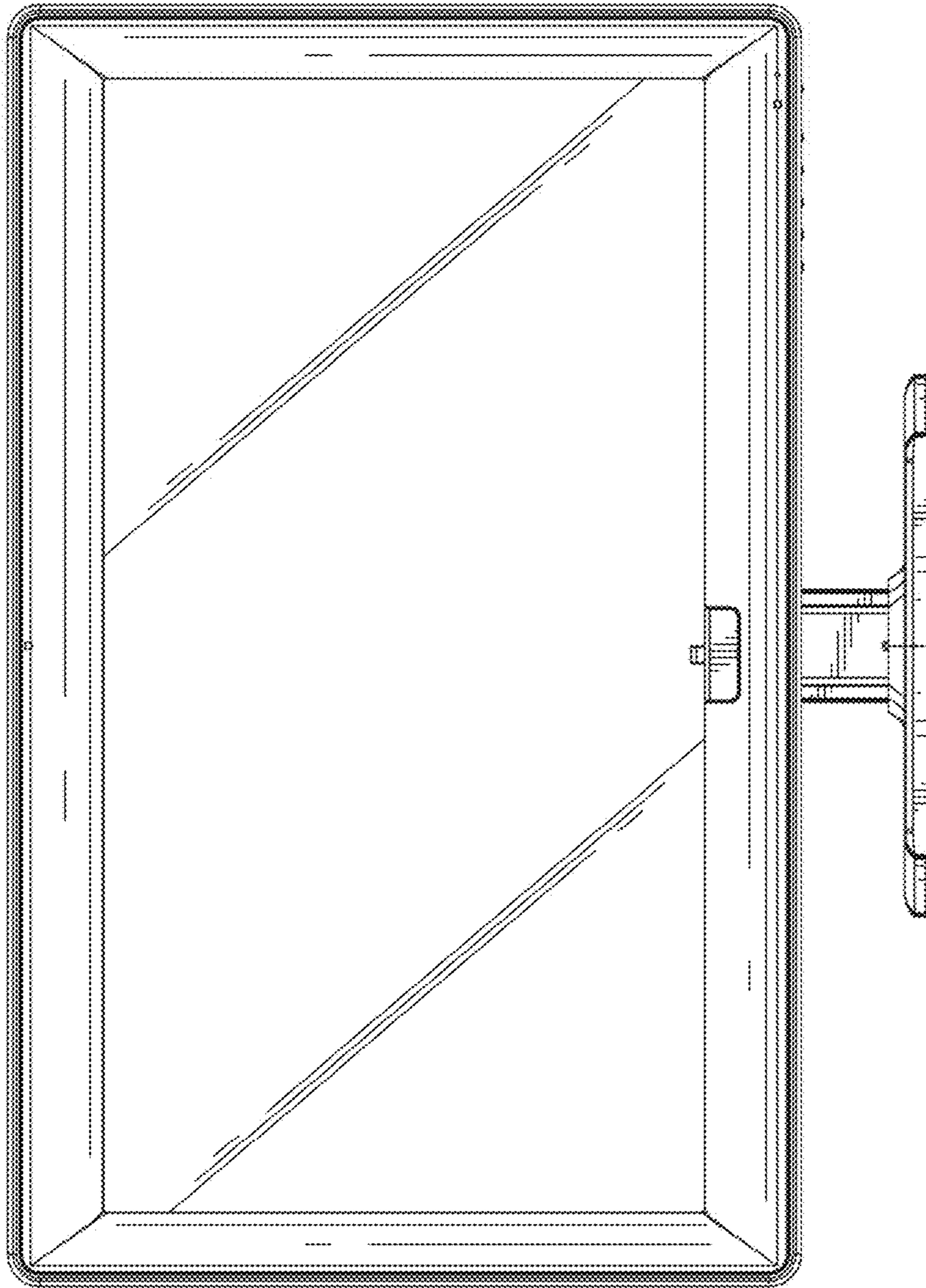


FIG. 2

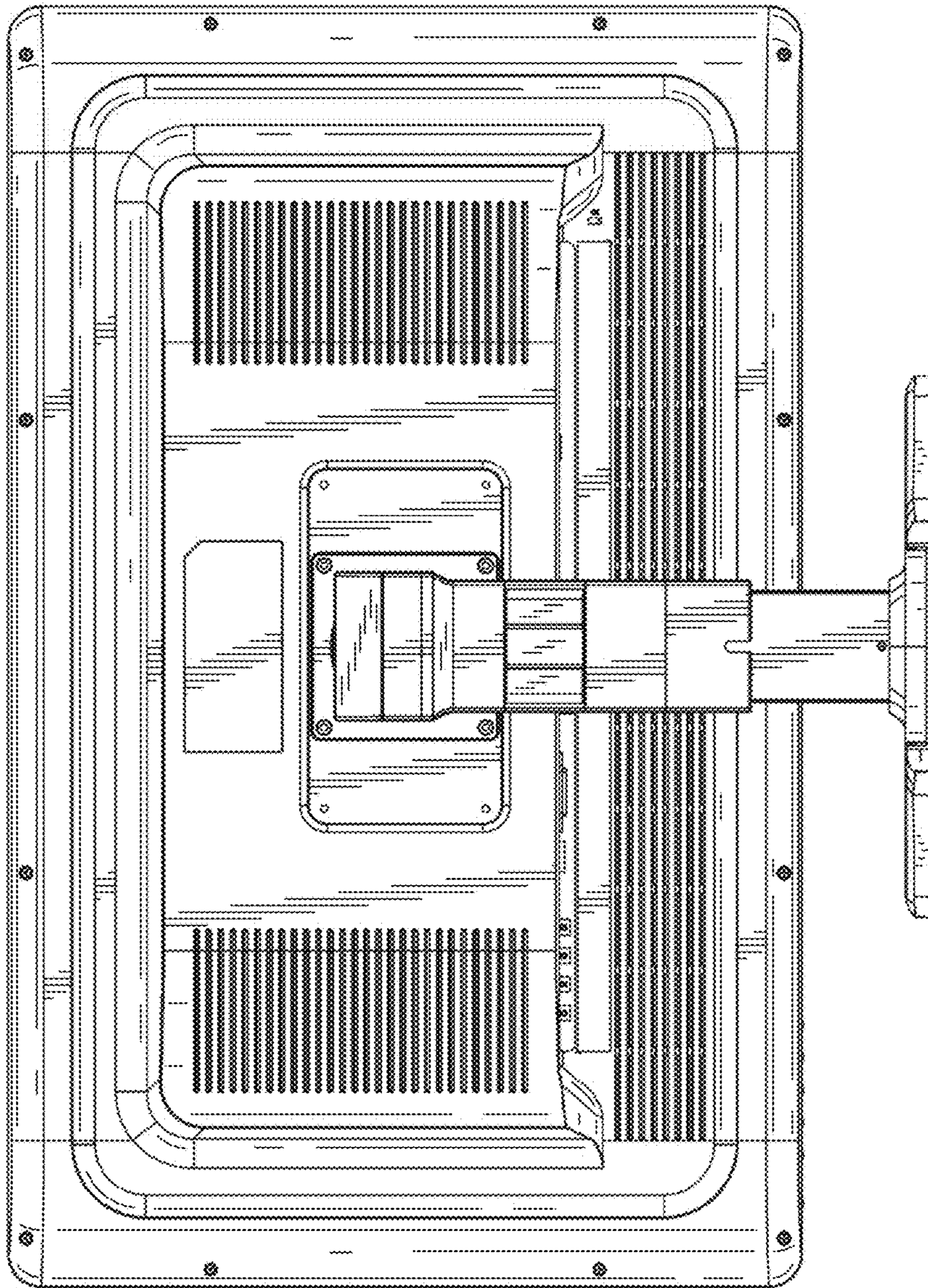


FIG. 3

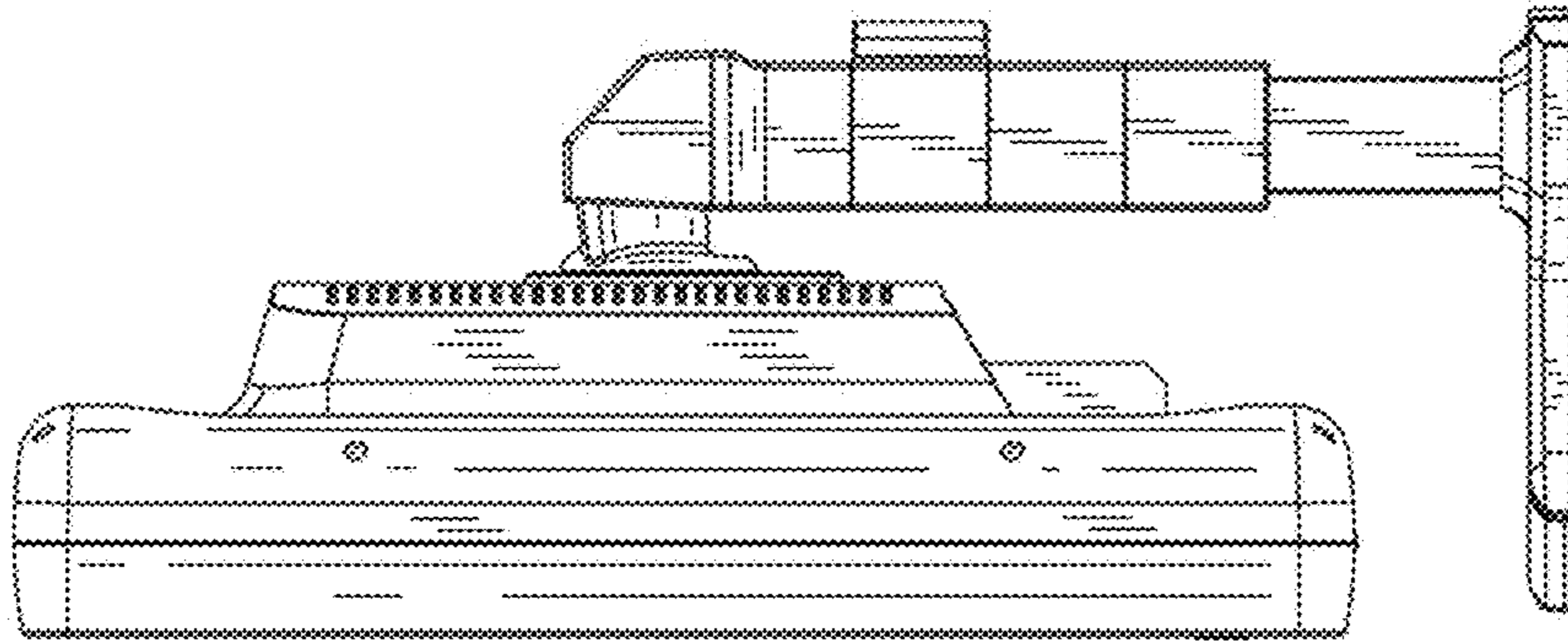


FIG. 5

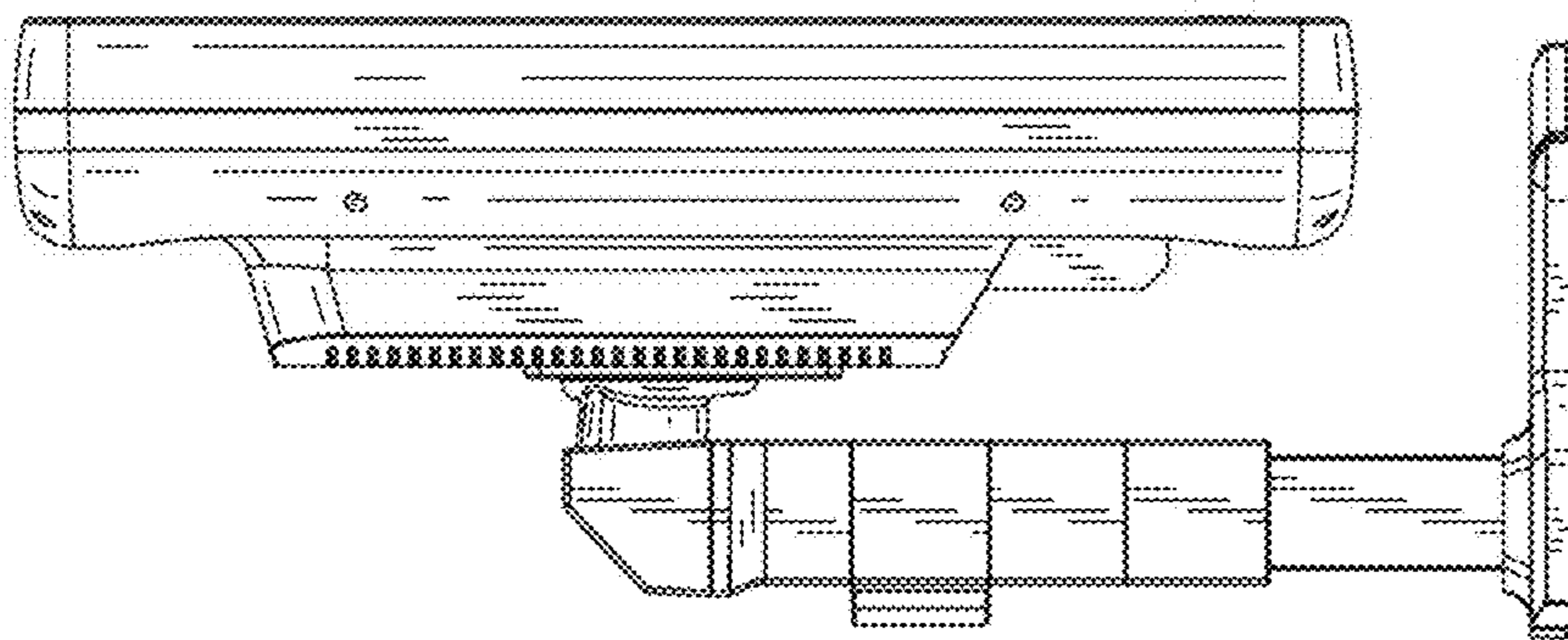


FIG. 4

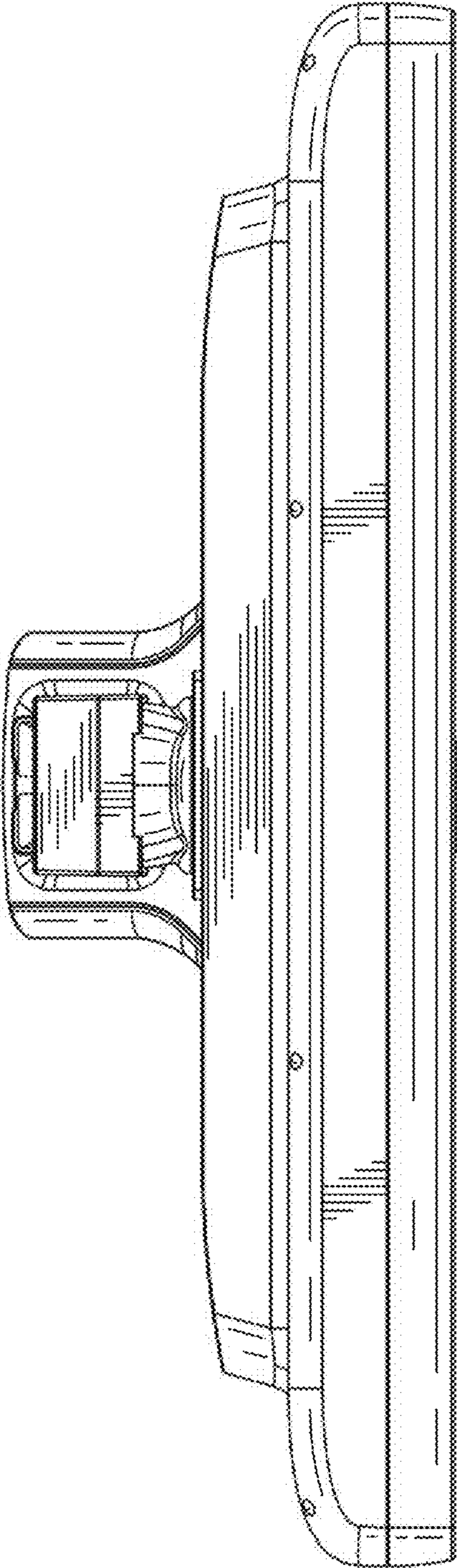


FIG. 6

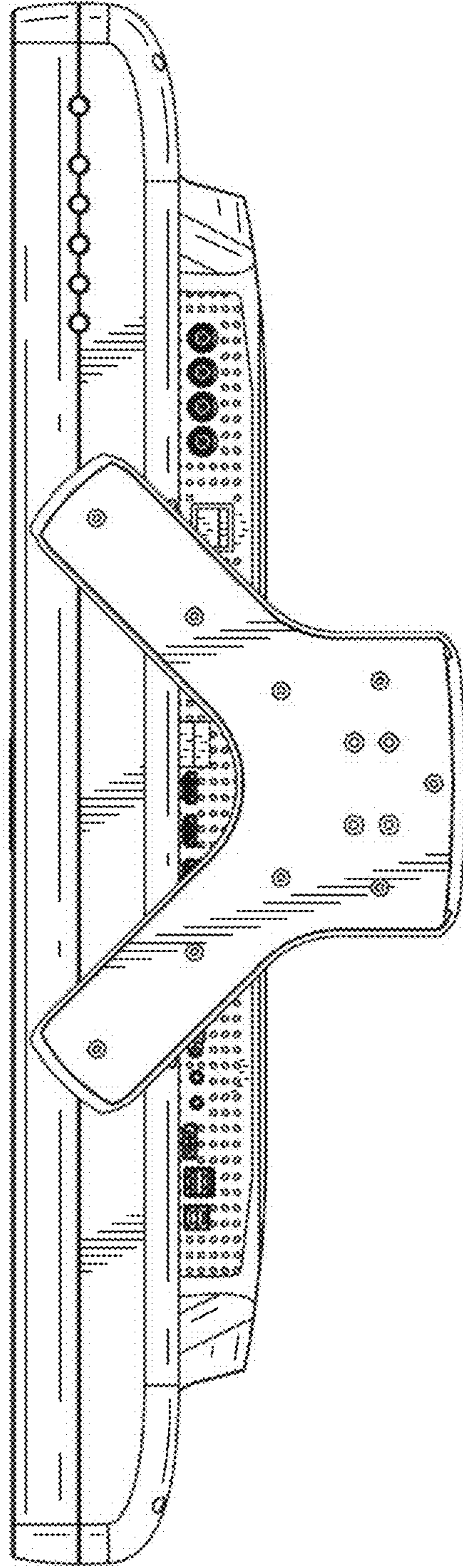


FIG. 7

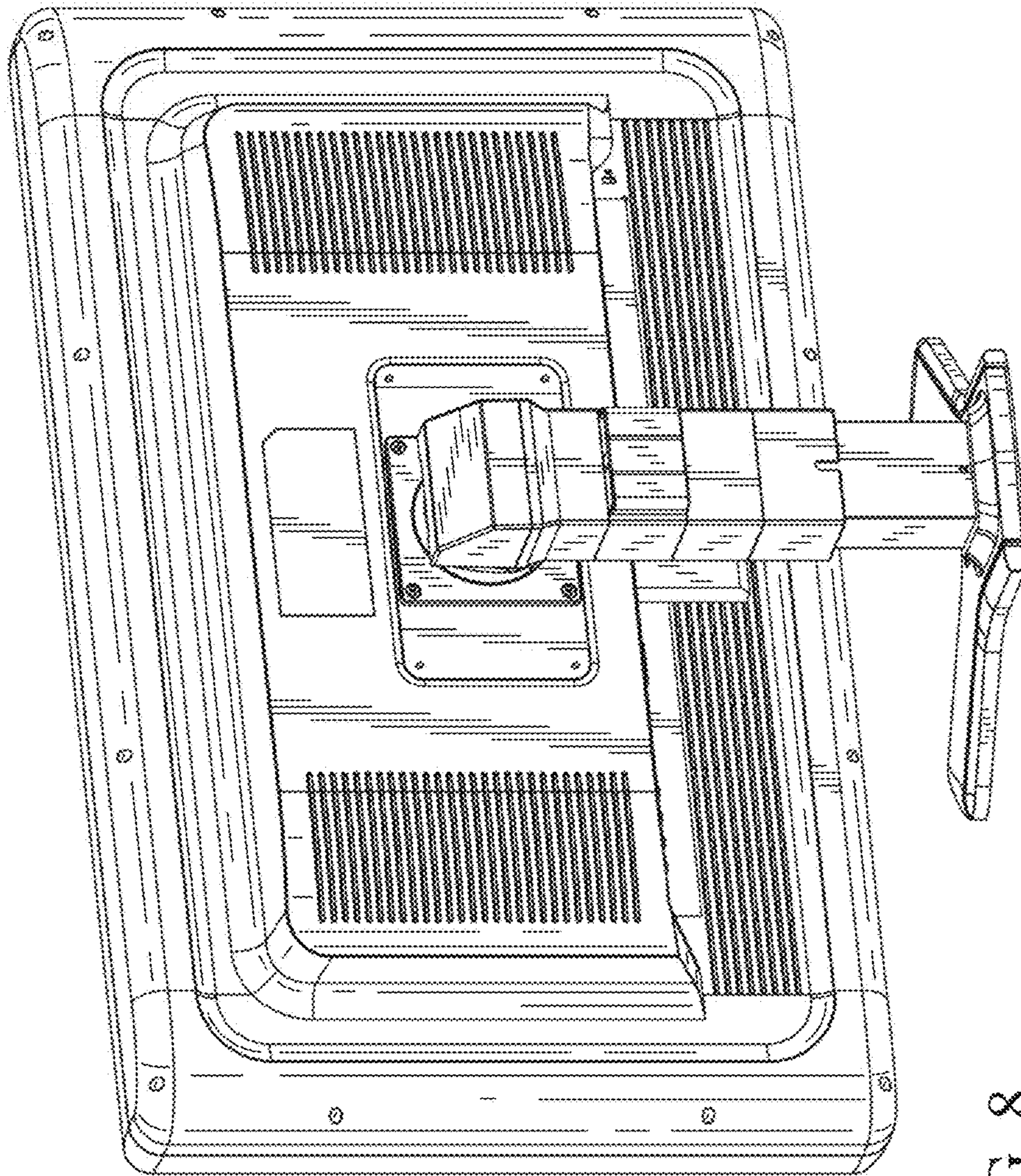


FIG. 8