



US00D835100S

(12) **United States Design Patent** (10) **Patent No.:** **US D835,100 S**
Zhan et al. (45) **Date of Patent:** **** Dec. 4, 2018**

(54) **MONITOR**

(71) Applicant: **General Electric Company**,
Schenectady, NY (US)

(72) Inventors: **James Zhan**, Shanghai (CN); **Lei Xia**,
Shanghai (CN); **Jun Hou**, Shanghai
(CN); **Zhiye Lu**, Shanghai (CN)

(73) Assignee: **General Electric Company**,
Schenectady, NY (US)

(**) Term: **15 Years**

(21) Appl. No.: **29/602,268**

(22) Filed: **Apr. 28, 2017**

(51) **LOC (11) Cl.** **14-02**

(52) **U.S. Cl.**
USPC **D14/371**

(58) **Field of Classification Search**
USPC D14/371-375, 125-129, 336, 337;
D6/300, 308; D19/113; D20/10;
D24/185, 186
CPC G09F 15/0025; G09F 15/0062; G09F
15/0068; G06F 1/16; G06F 1/1613; G06F
1/133308; G06F 1/1601; G06F 3/037;
G06F 1/162; F16M 11/02; F16M 11/10;
F16M 11/00; F16M 11/06; F16M 11/18;
F16M 11/045; F16M 11/105; F16M
11/041; F16M 11/126; F16M 11/04;
F16M 11/24; F16M 13/02; A47F 5/00
See application file for complete search history.

(56) **References Cited**

U.S. PATENT DOCUMENTS

D419,538 S * 1/2000 Matsuoka D14/126
D464,649 S * 10/2002 Kim D14/371
D598,916 S * 8/2009 Lehtovaara D14/371

(Continued)

Primary Examiner — Freda S Nunn

(74) *Attorney, Agent, or Firm* — McCoy Russell LLP

(57) **CLAIM**

The ornamental design for a monitor, as shown and described.

DESCRIPTION

FIG. 1 is a front left perspective view of a monitor according to an embodiment of the present invention.

FIG. 2 is a back right perspective view of the monitor of FIG. 1.

FIG. 3 is a front view of the monitor of FIG. 1.

FIG. 4 is a back view of the monitor of FIG. 1.

FIG. 5 is a left side view of the monitor of FIG. 1.

FIG. 6 is a right side view of the monitor of FIG. 1.

FIG. 7 is a top view of the monitor of FIG. 1.

FIG. 8 is bottom view for the monitor of FIG. 1.

FIG. 9 is a front left perspective view of the monitor according to a second embodiment of the present invention.

FIG. 10 is a back right perspective view of the monitor of FIG. 9.

FIG. 11 is a front view of the monitor of FIG. 9.

FIG. 12 is a back view of the monitor of FIG. 9.

FIG. 13 is a left side view of the monitor of FIG. 9.

FIG. 14 is a right side view of the monitor of FIG. 9.

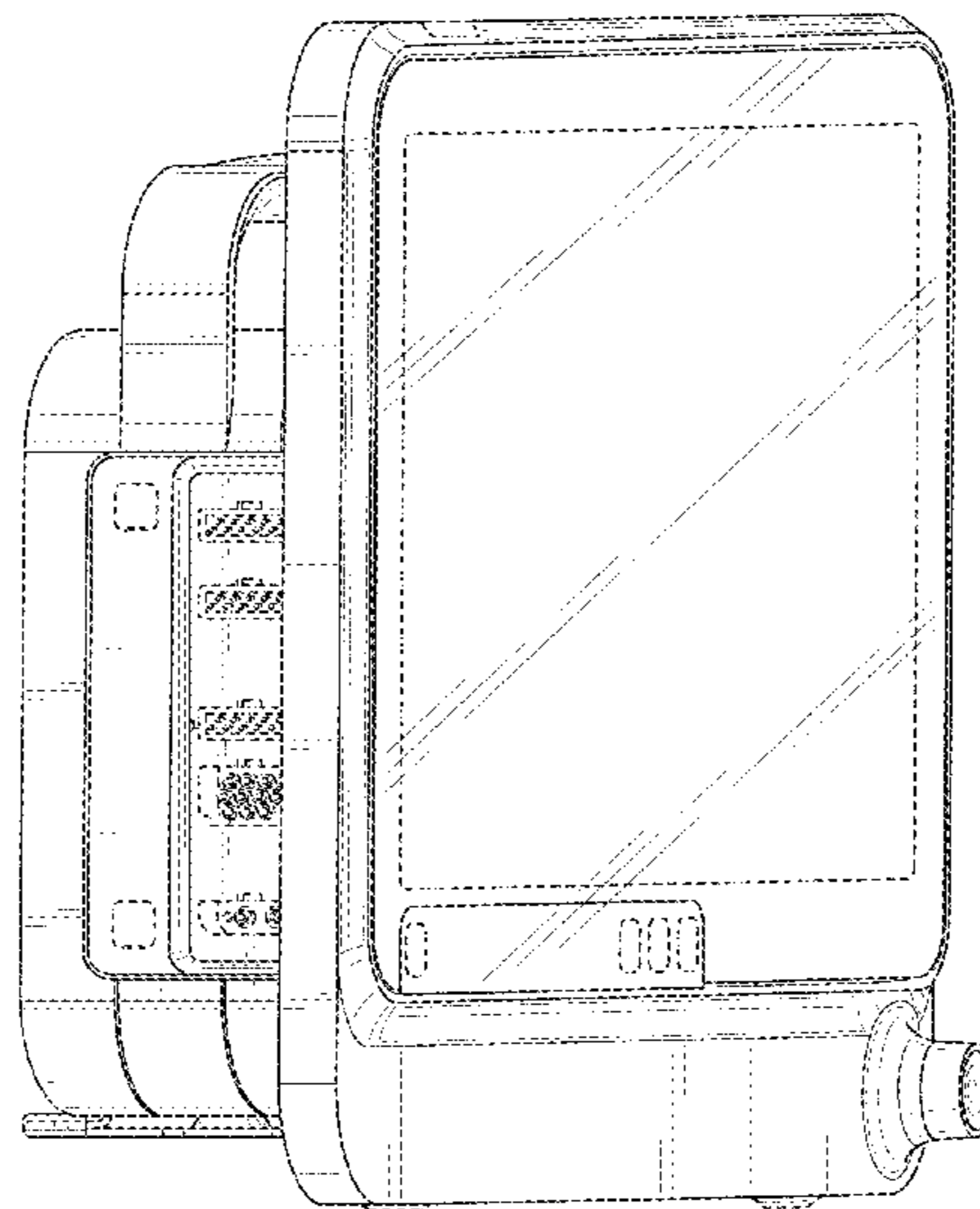
FIG. 15 is a top view of the monitor of FIG. 9; and,

FIG. 16 is a bottom view of the monitor of FIG. 9.

The broken lines in FIGS. 1-16 are included for the purpose of illustrating environmental structure and form no part of the claimed design.

In FIGS. 9-16, the portions between the pairs of closely adjacent, long dash-short dash-long dash broken lines are broken away to indicate no particular length of the display of the monitor, and such pairs of long dash-short dash-long dash broken lines themselves form no part of the claimed design. The portions that may be visible between the long dash-short dash-long dash broken lines have been removed for clarity.

1 Claim, 16 Drawing Sheets



(56)

References Cited

U.S. PATENT DOCUMENTS

D676,445 S * 2/2013 Mason D14/371
D694,229 S * 11/2013 Wolf D14/314

* cited by examiner

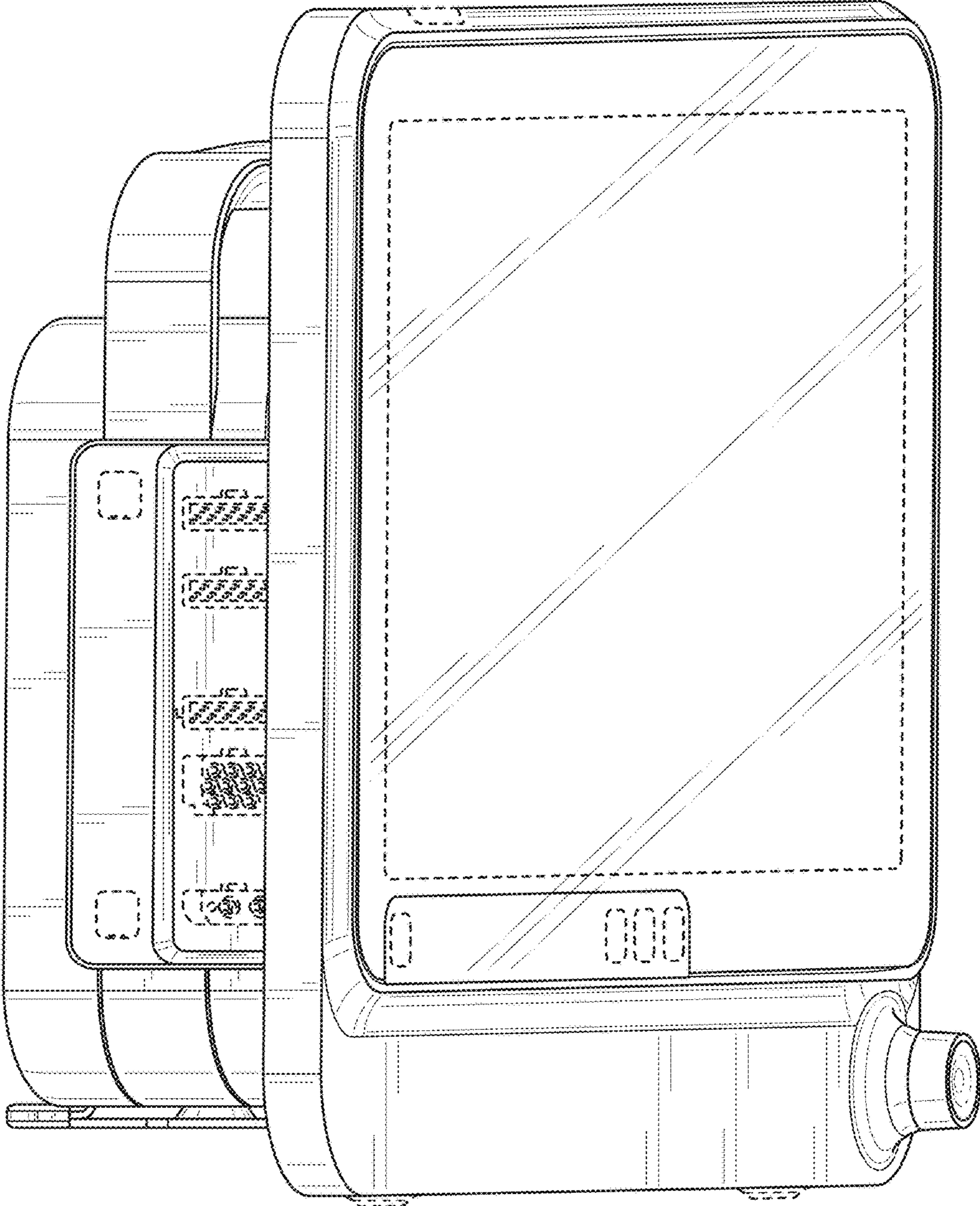


FIG. 1

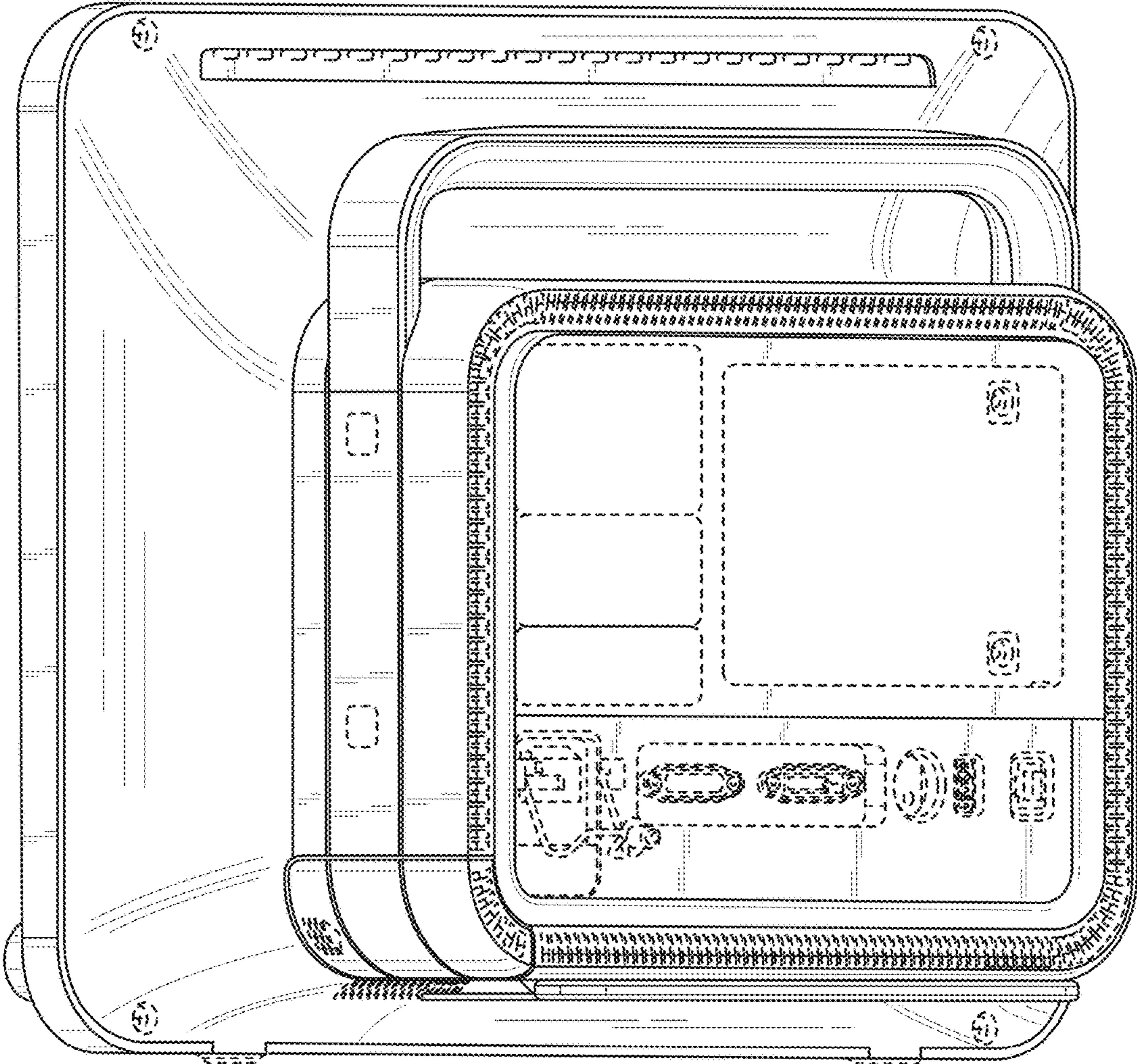


FIG. 2

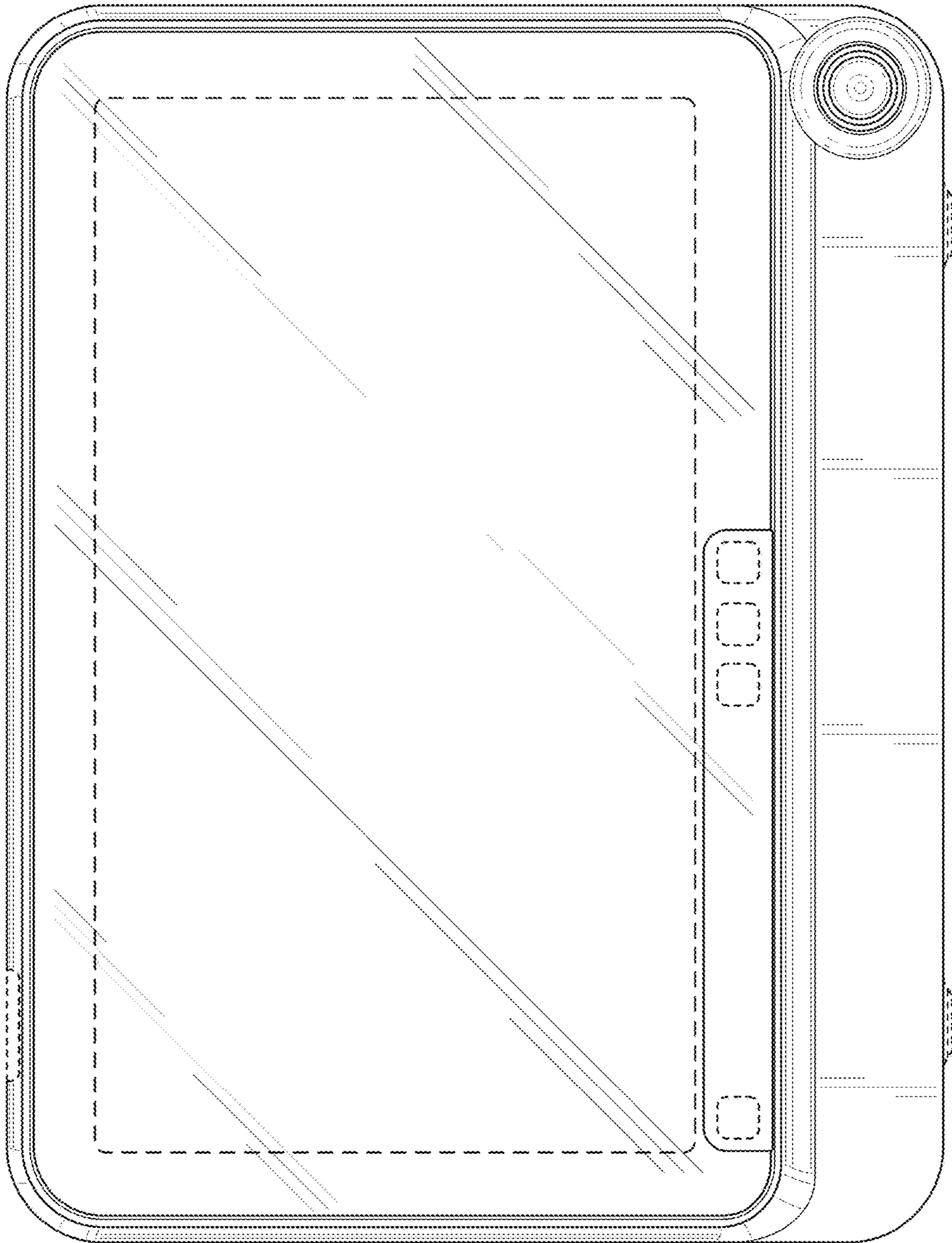


FIG. 3

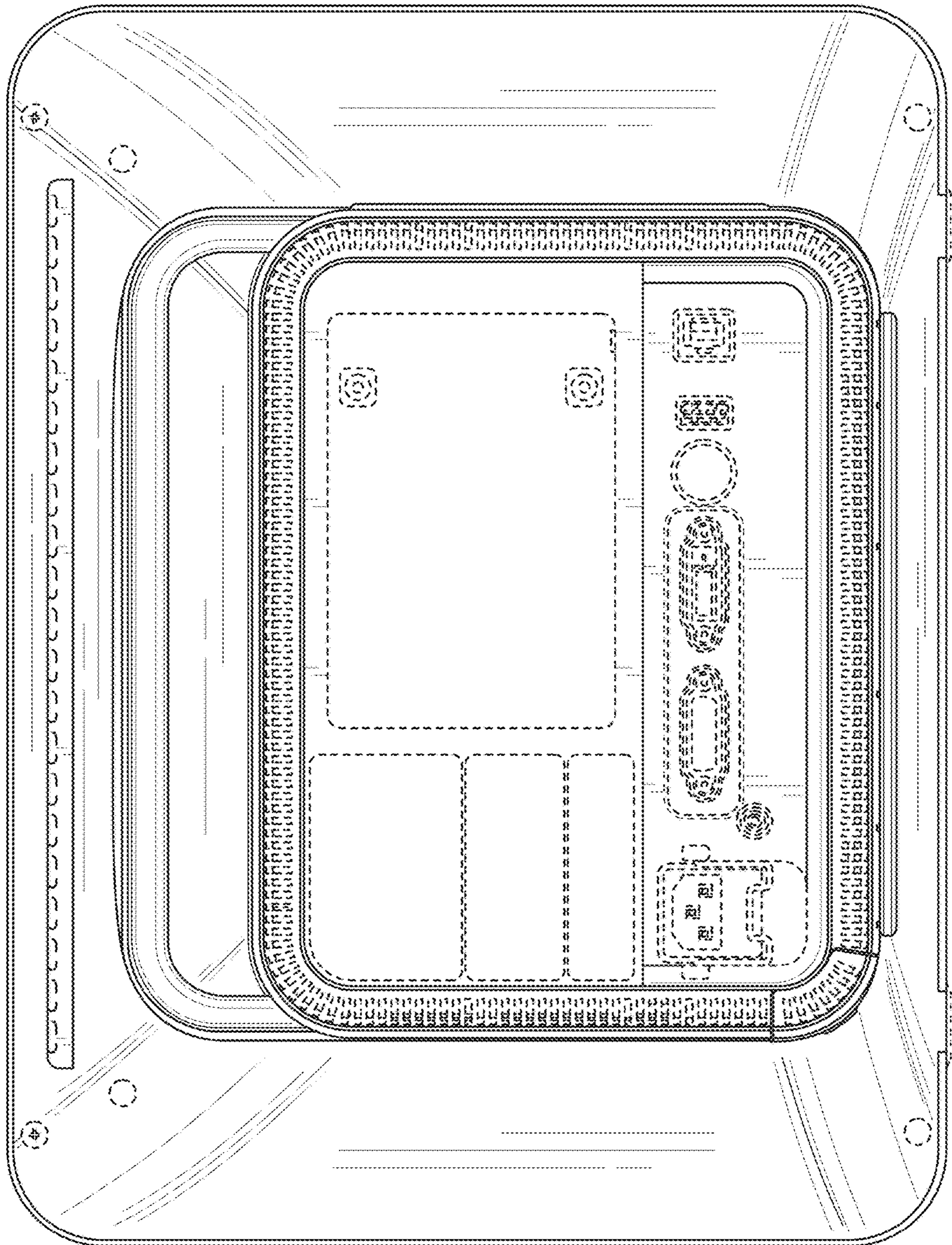


FIG. 4

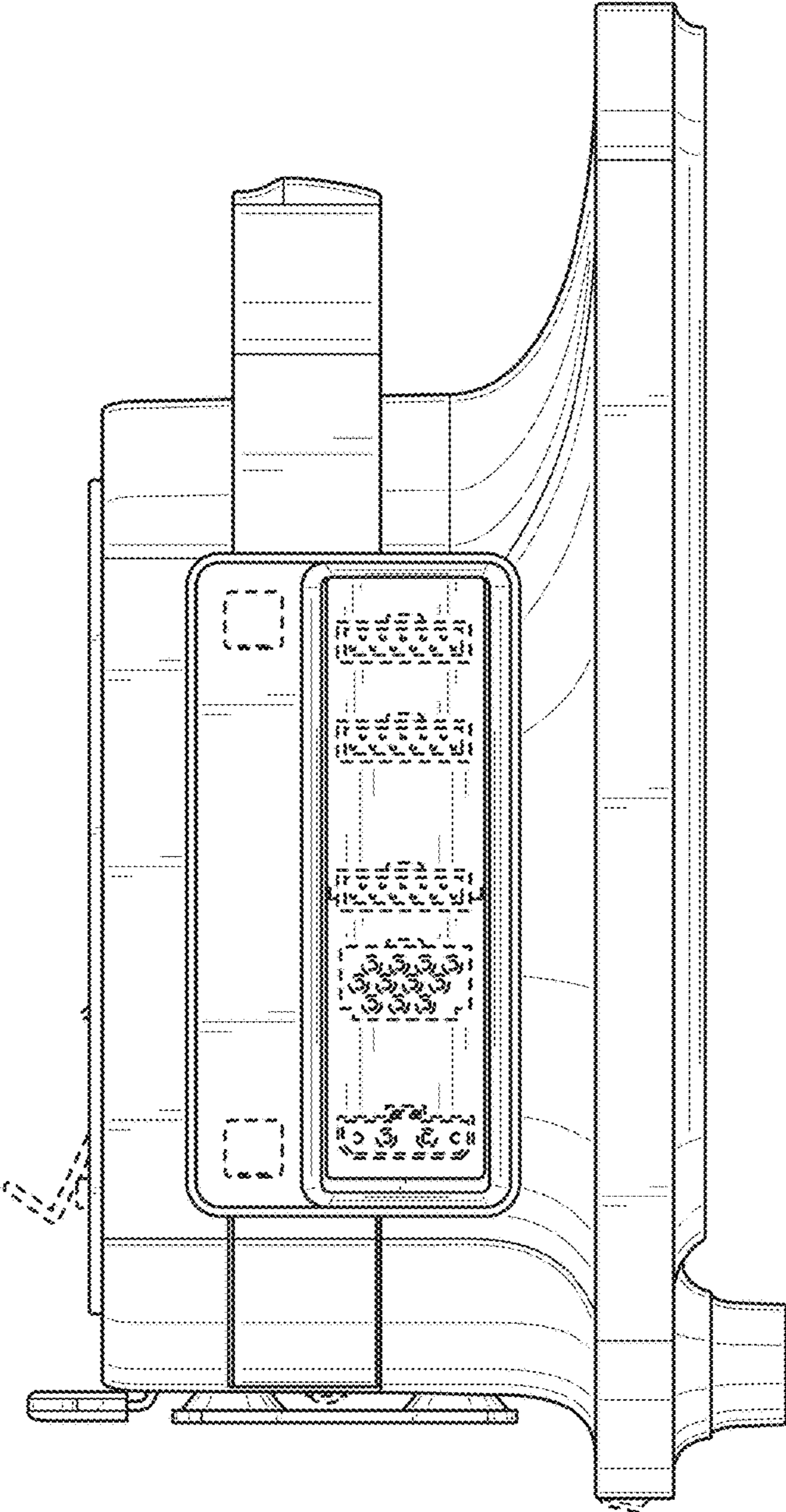


FIG. 5

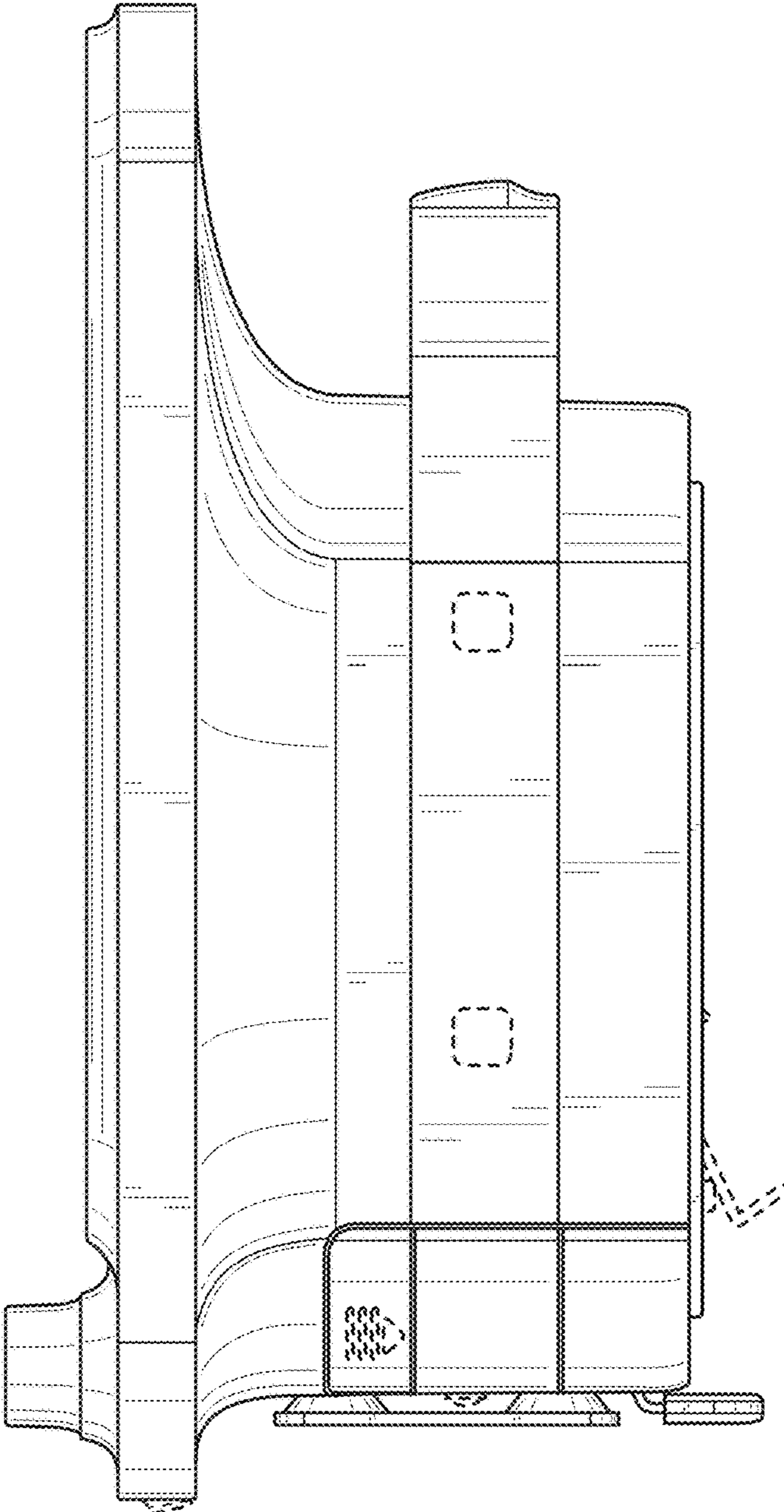


FIG. 6

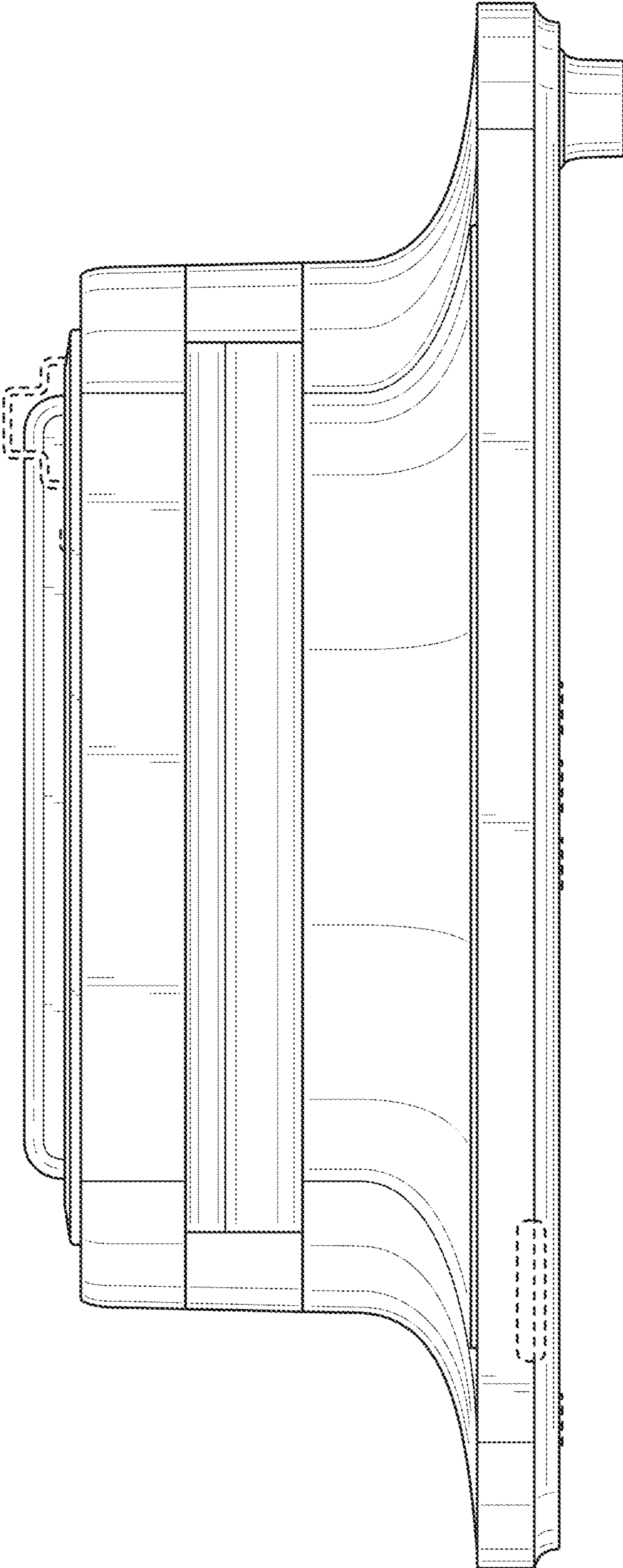


FIG.7

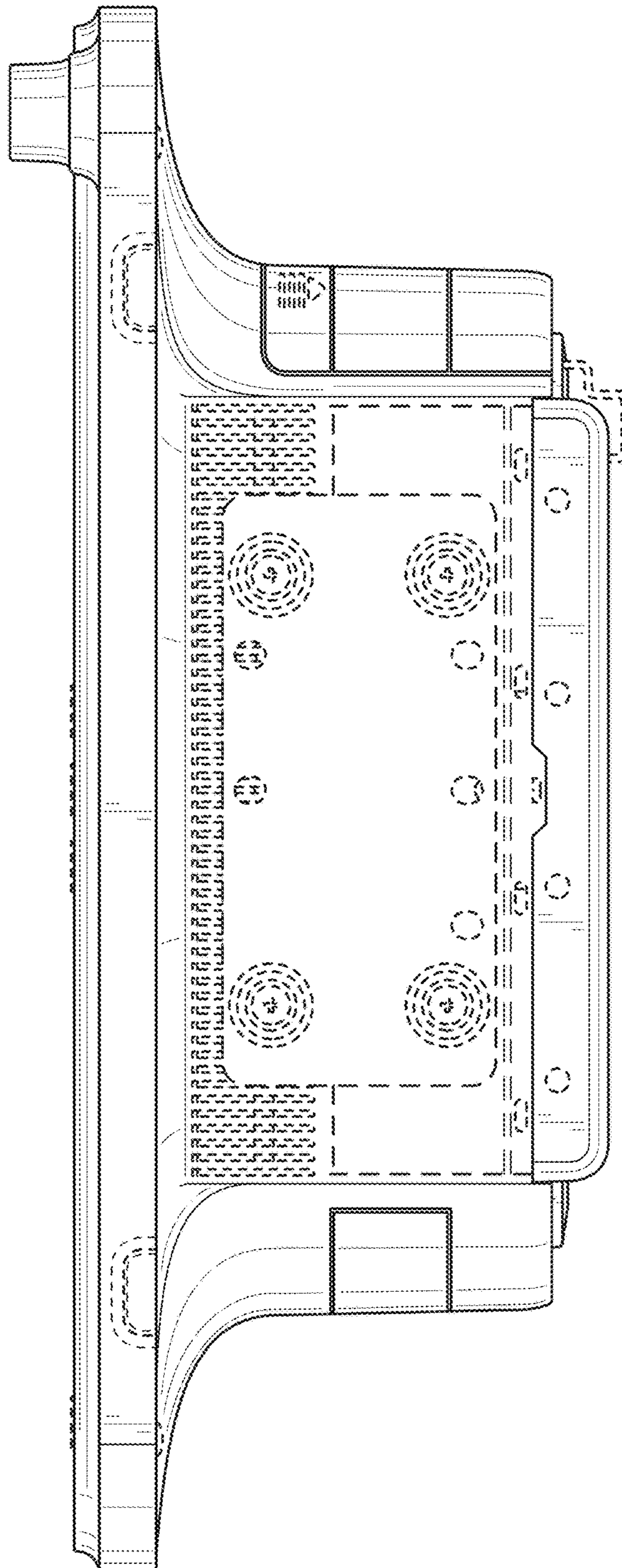


FIG. 8

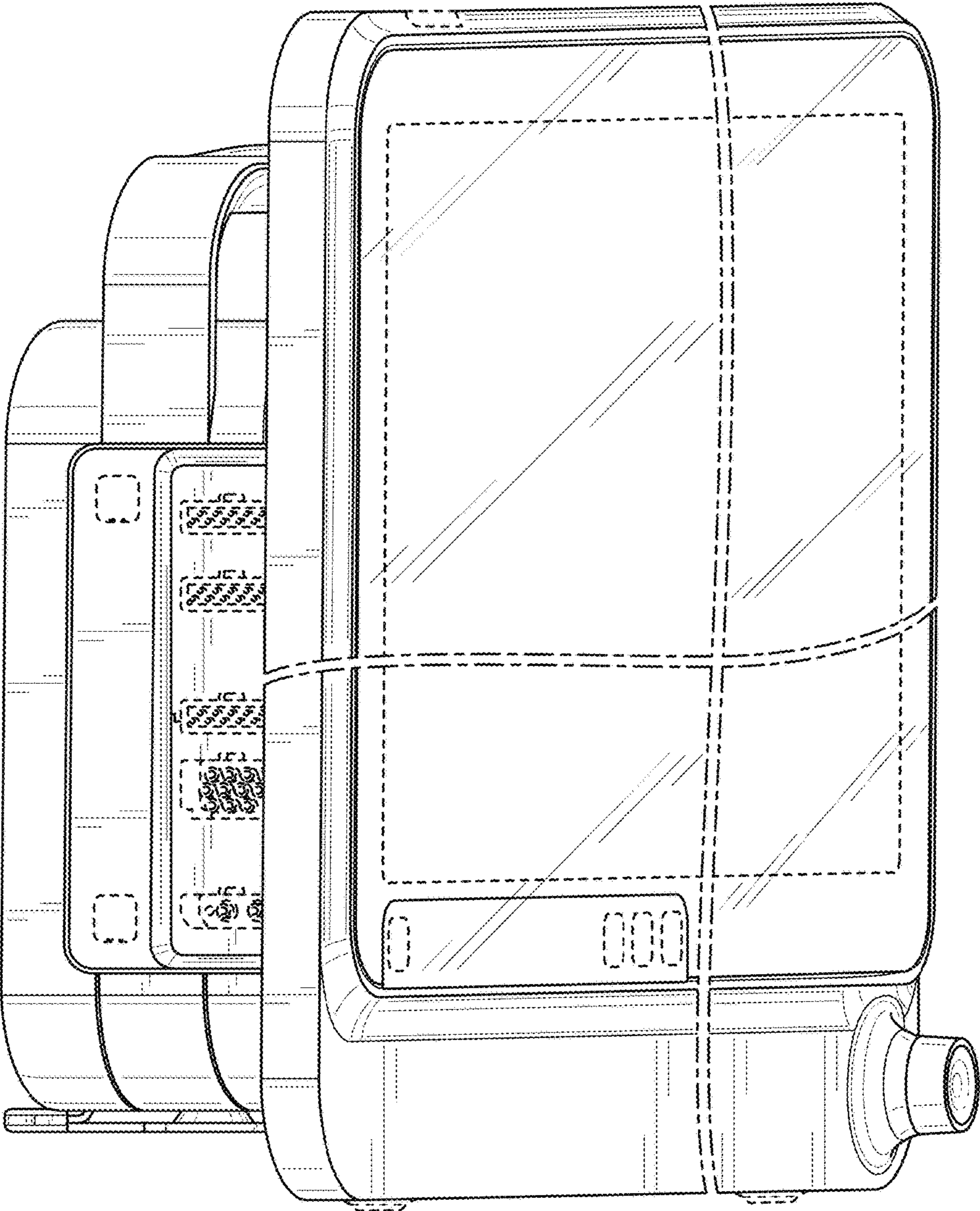


FIG. 9

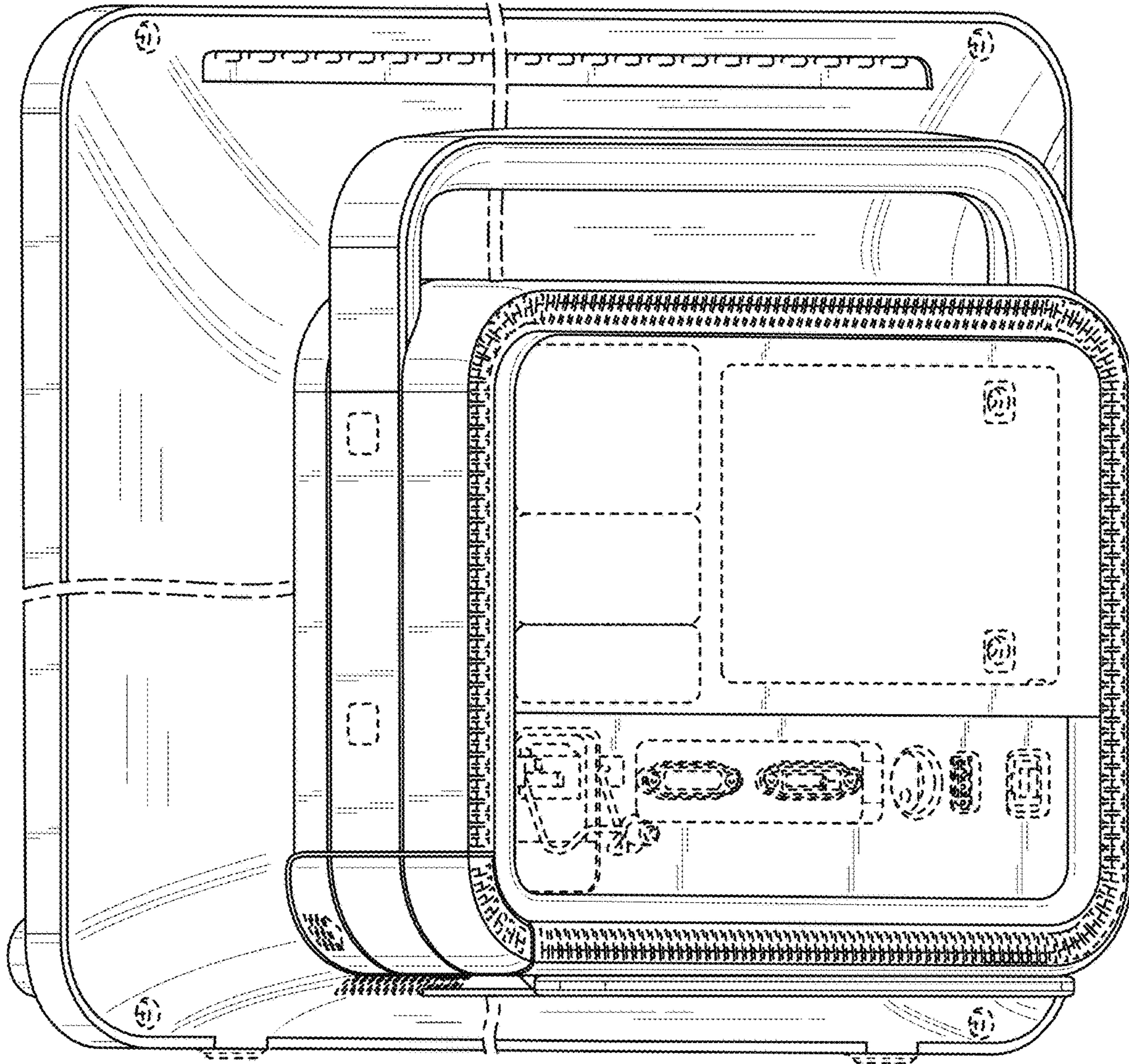


FIG. 10

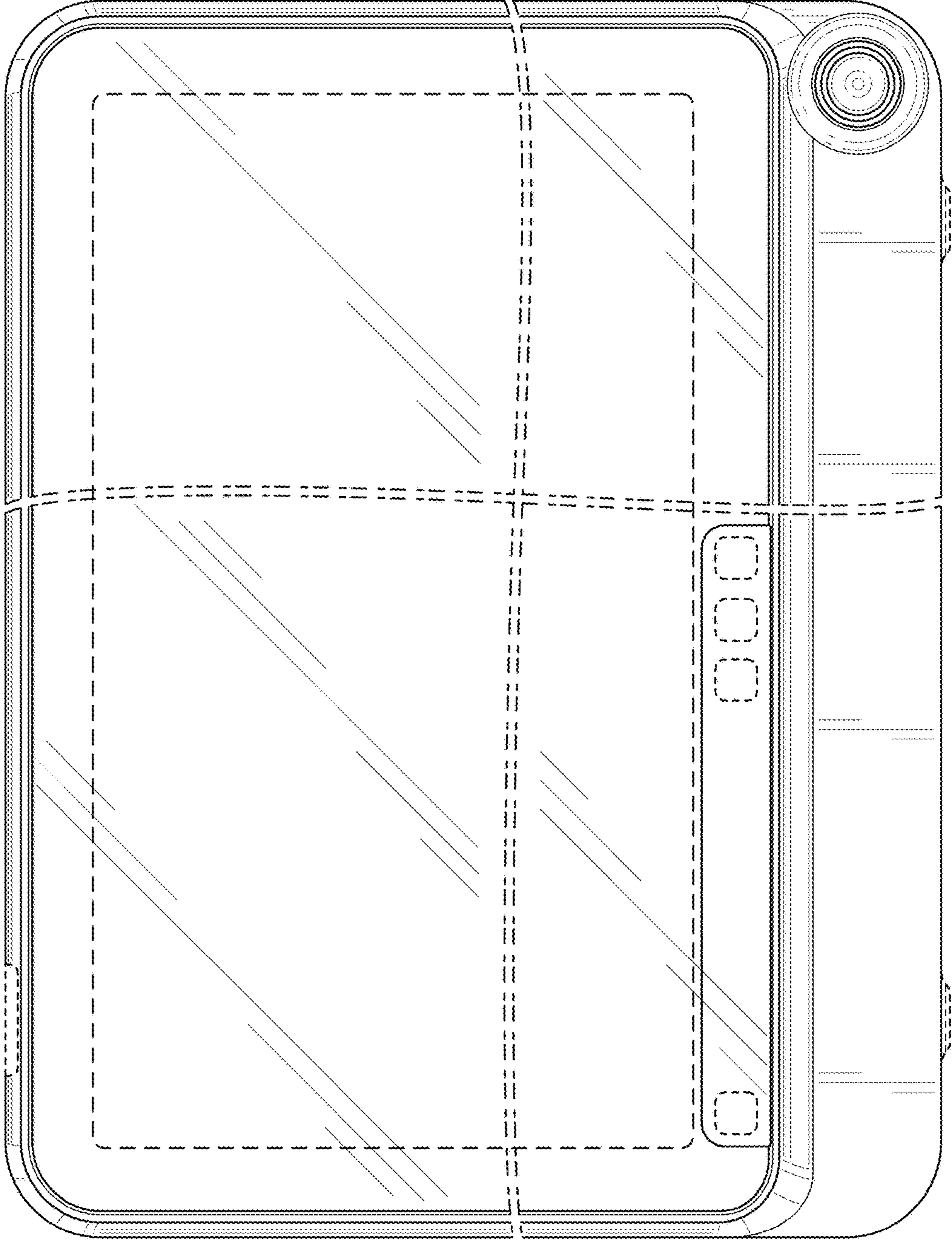


FIG.11

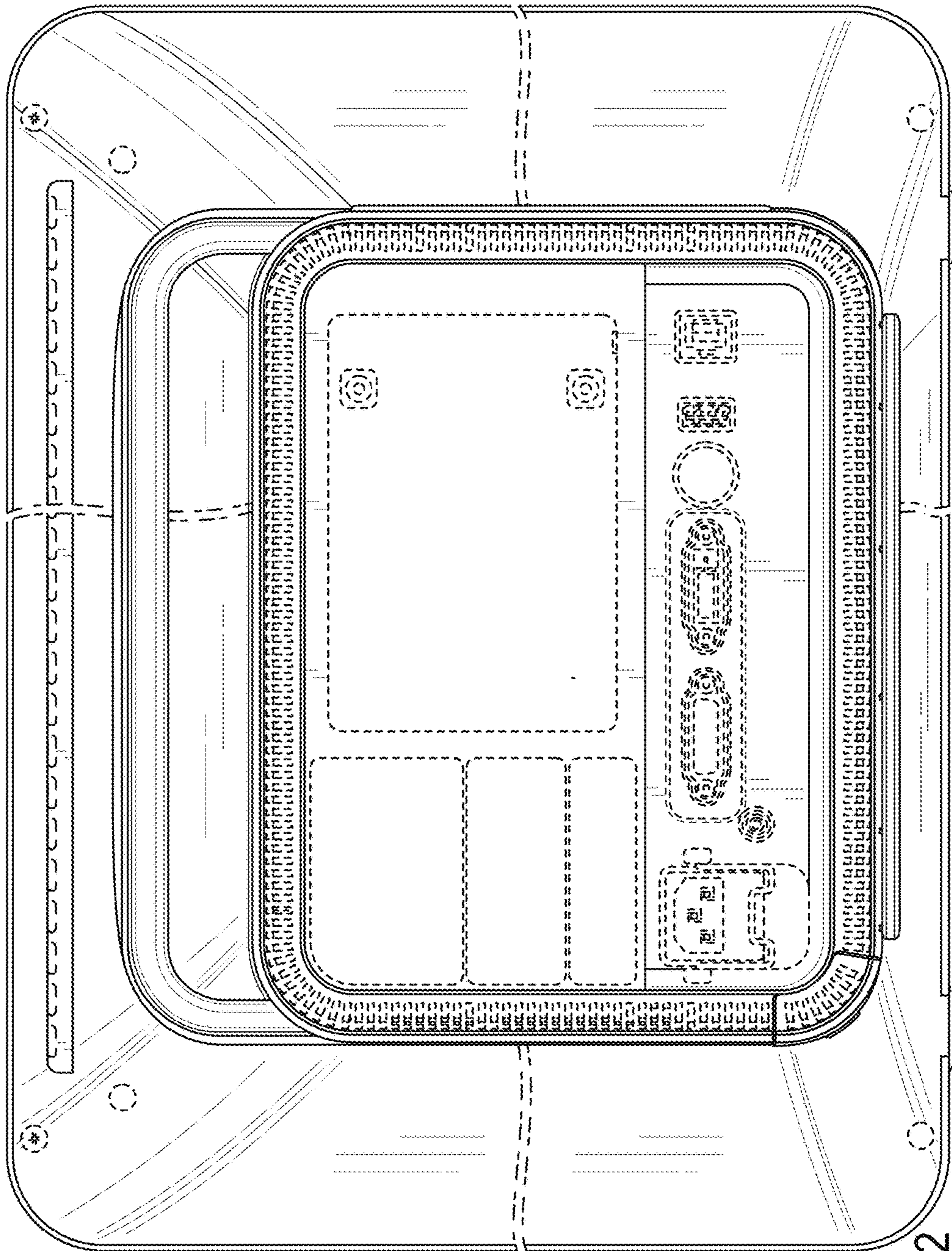


FIG. 12

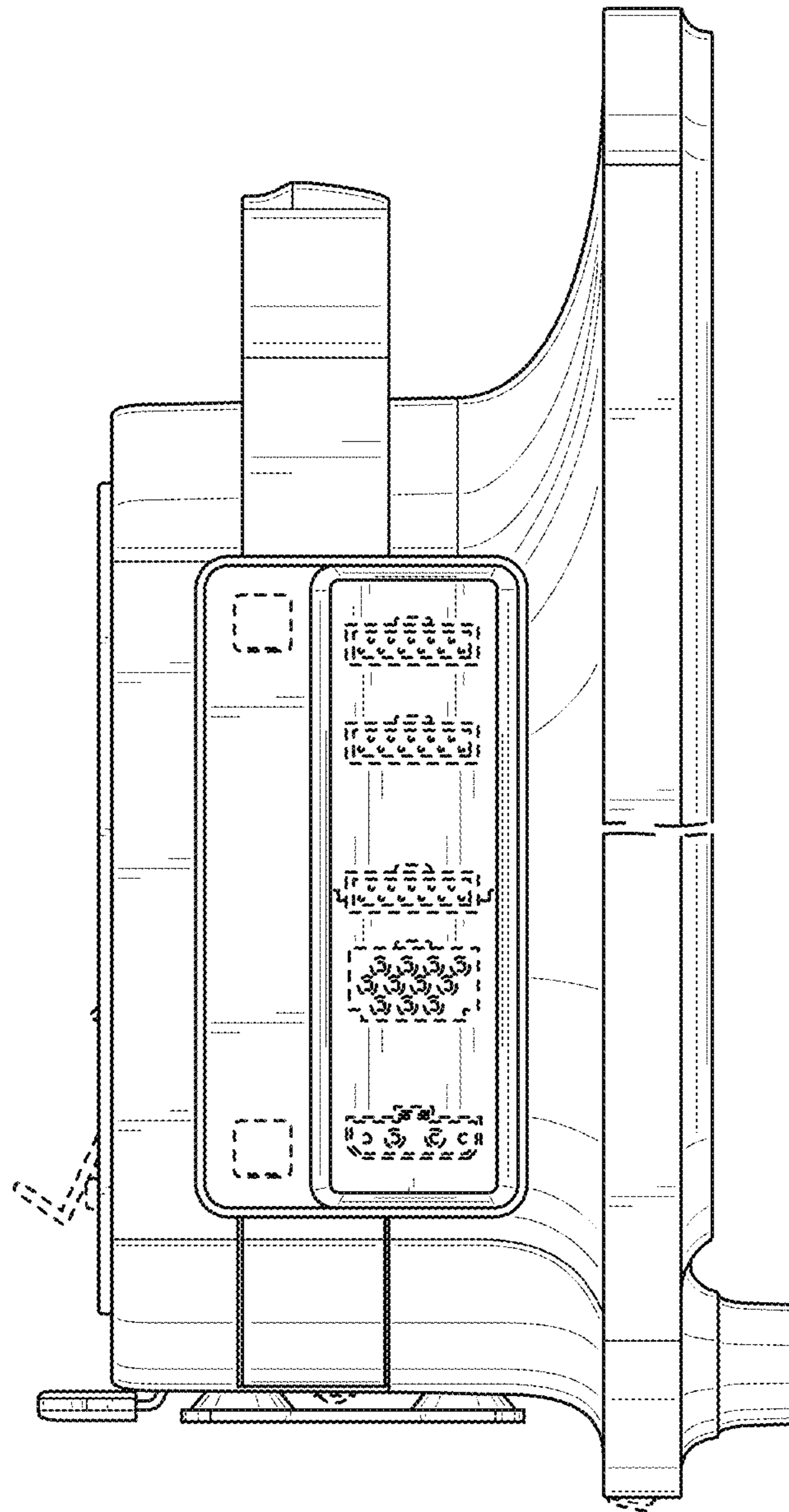


FIG. 13

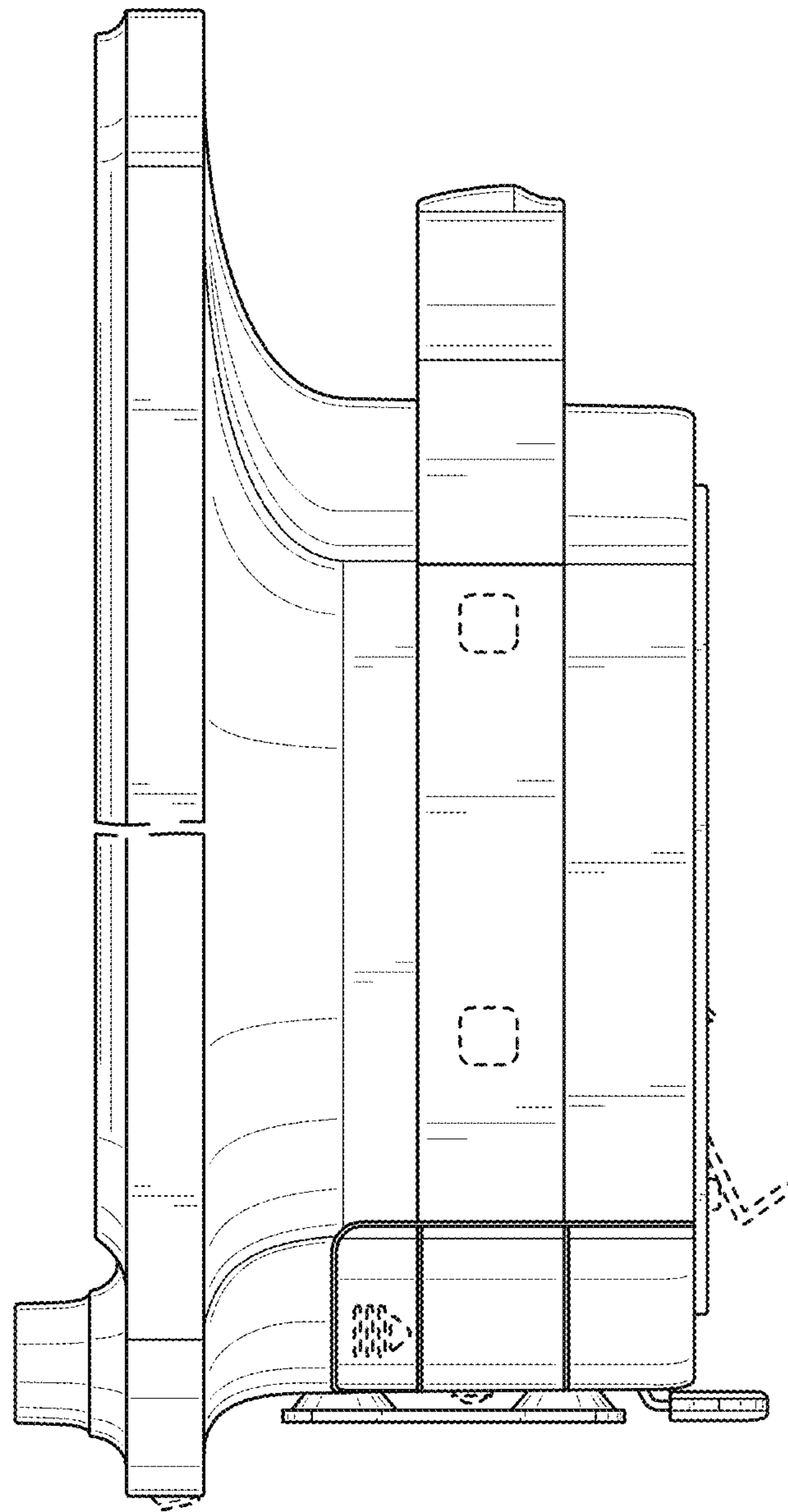


FIG. 14

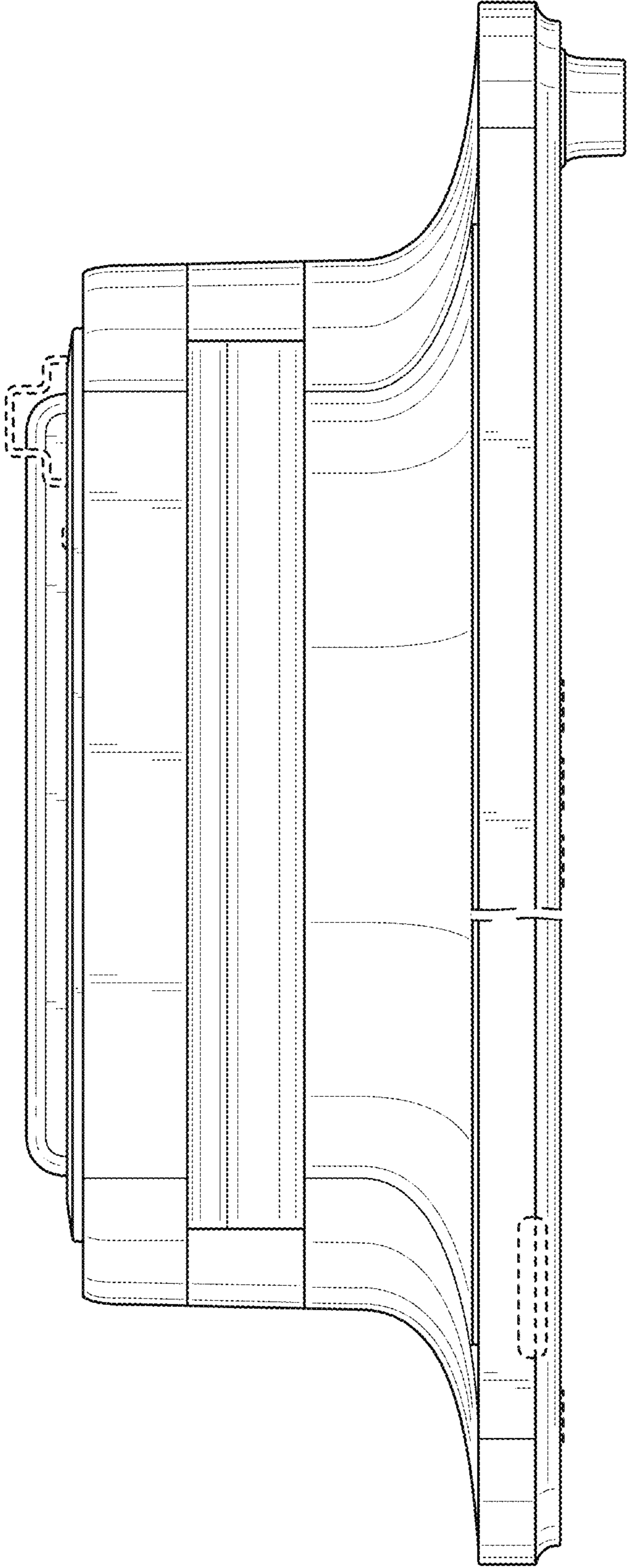


FIG. 15

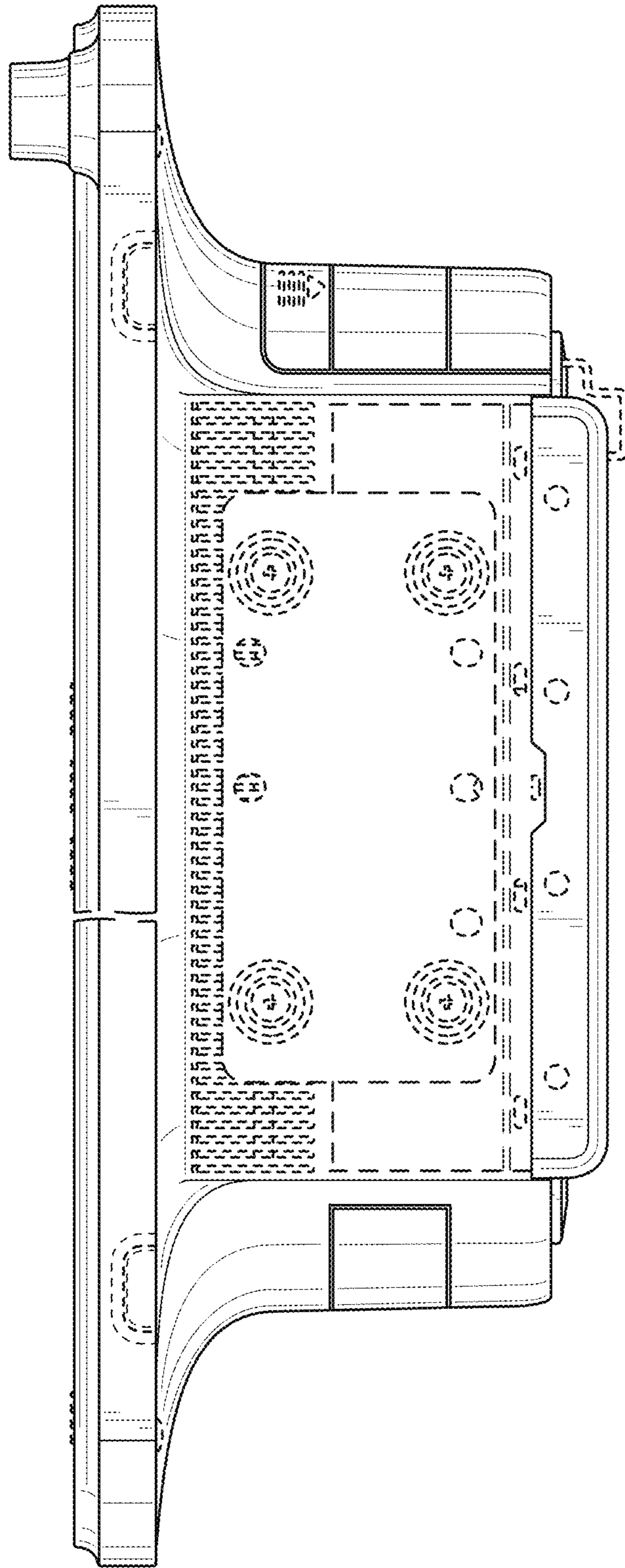


FIG. 16