



US00D835099S

(12) **United States Design Patent**
Brine et al.

(10) **Patent No.:** **US D835,099 S**

(45) **Date of Patent:** **** Dec. 4, 2018**

- (54) **DATA ACQUISITION MODULE**
- (71) Applicant: **Sciometric Instruments Inc.**, Kanata (CA)
- (72) Inventors: **Richard Michel Brine**, Ottawa (CA);
Michael McGuire, Ottawa (CA)
- (73) Assignee: **Sciometric Instruments Inc.**, Ottawa, Ontario (CA)
- (**) Term: **15 Years**
- (21) Appl. No.: **29/575,600**
- (22) Filed: **Aug. 26, 2016**
- (51) **LOC (11) Cl.** **14-02**
- (52) **U.S. Cl.**
USPC **D14/358**; D10/46
- (58) **Field of Classification Search**
USPC D14/356, 357, 358, 361, 362, 365, 367,
D14/370, 388, 389, 432, 434, 216, 217,
D14/218, 240, 242, 299, 125, 129, 130,
D14/140, 155, 168, 188, 496, 300, 474,
D14/483, 203.1, 203.3, 203.6, 238.1;
D13/103, 110, 123, 152, 162, 162.1, 163,
D13/168, 184, 199; D10/104.1, 106.3,
D10/106.6, 116.1, 46, 49, 61, 75
CPC ... H04L 29/08; H04L 29/08558; H04L 12/24;
H04L 67/12; G05B 19/00; G05B 19/05;
G06F 1/26; G06F 17/18; G06F 17/40;
H04B 1/66
See application file for complete search history.

- (56) **References Cited**
U.S. PATENT DOCUMENTS
1,148,699 A * 8/1915 McWilliams 361/822
D280,494 S * 9/1985 Abel D10/106.1
D371,515 S * 7/1996 Iwaki D10/46

- D385,251 S * 10/1997 Friedli D13/103
- D659,668 S * 5/2012 Neumann D14/155
- 8,885,358 B2 * 11/2014 Herkenrath H05K 7/1477
361/801
- D743,815 S * 11/2015 Janu D10/46
- D751,080 S * 3/2016 Kelly D14/439
- D753,110 S * 4/2016 Takano D14/358
- D778,834 S * 2/2017 Holweger D13/110
- 2003/0040881 A1 * 2/2003 Steger G16H 40/40
702/123
- 2017/0022799 A1 * 1/2017 Perteet E21B 47/02224
- 2018/0048713 A1 * 2/2018 Brine G06F 1/26

* cited by examiner

Primary Examiner — Susan Bennett Hattan
Assistant Examiner — Marie D. Fast Horse
(74) *Attorney, Agent, or Firm* — Rosenberg, Klein & Lee

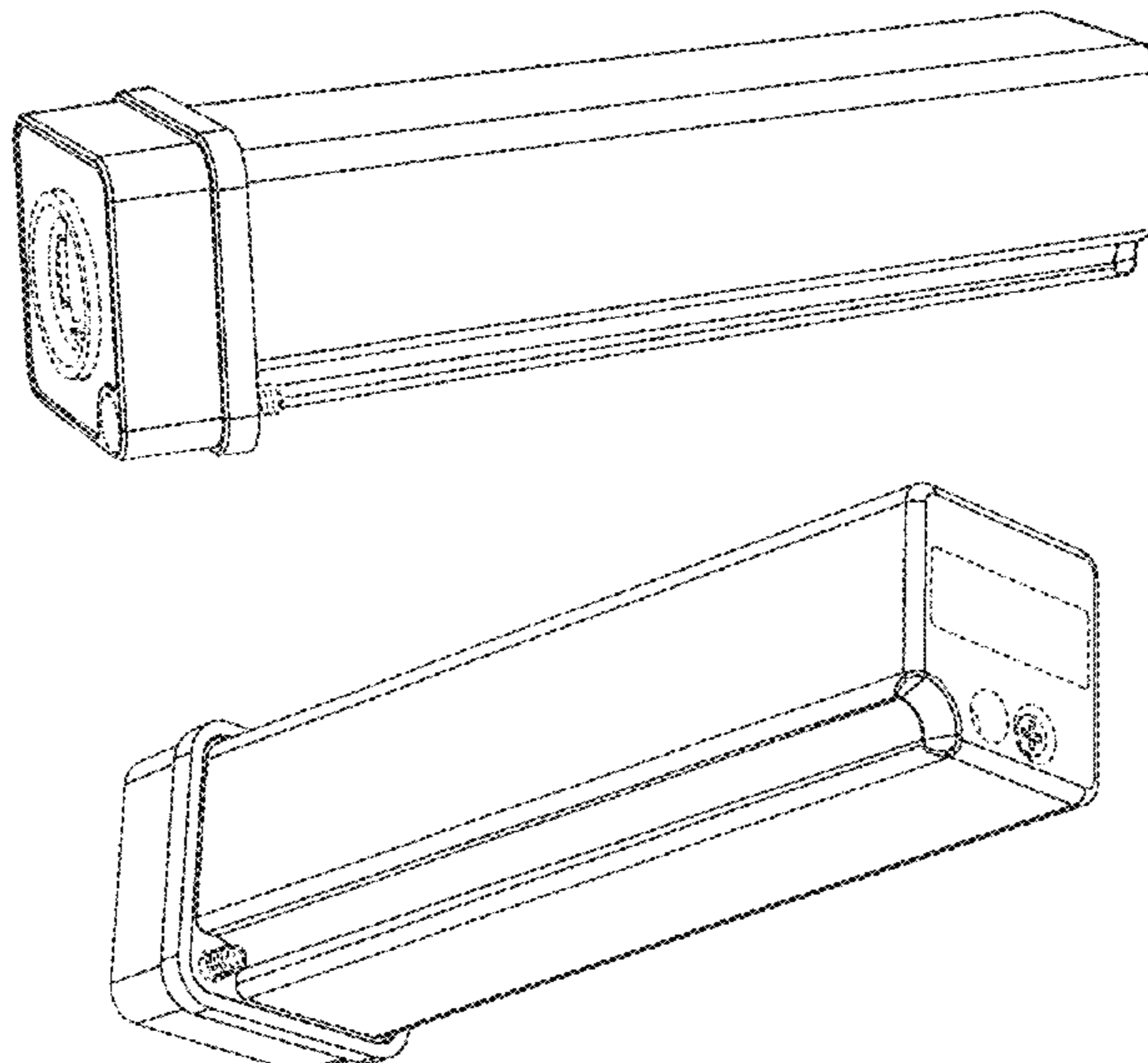
(57) **CLAIM**

The ornamental design for a data acquisition module, as shown and described.

DESCRIPTION

FIG. 1 is a perspective view taken from the front (left-hand end), top and right-hand side of a data acquisition module embodying the invention;
FIG. 2 is a perspective view taken from the back (right-hand end), bottom and right-hand side of the data acquisition module;
FIG. 3 is a front elevation of the data acquisition module;
FIG. 4 is a rear elevation of the data acquisition module;
FIG. 5 is a right side elevation of the data acquisition module;
FIG. 6 is a top plan view of the data acquisition module;
FIG. 7 is a left side elevation of the data acquisition module;
and,
FIG. 8 is a bottom plan view of the data acquisition module.
The broken lines in the drawings depict portions of the data acquisition module that form no part of the claimed design.

1 Claim, 9 Drawing Sheets



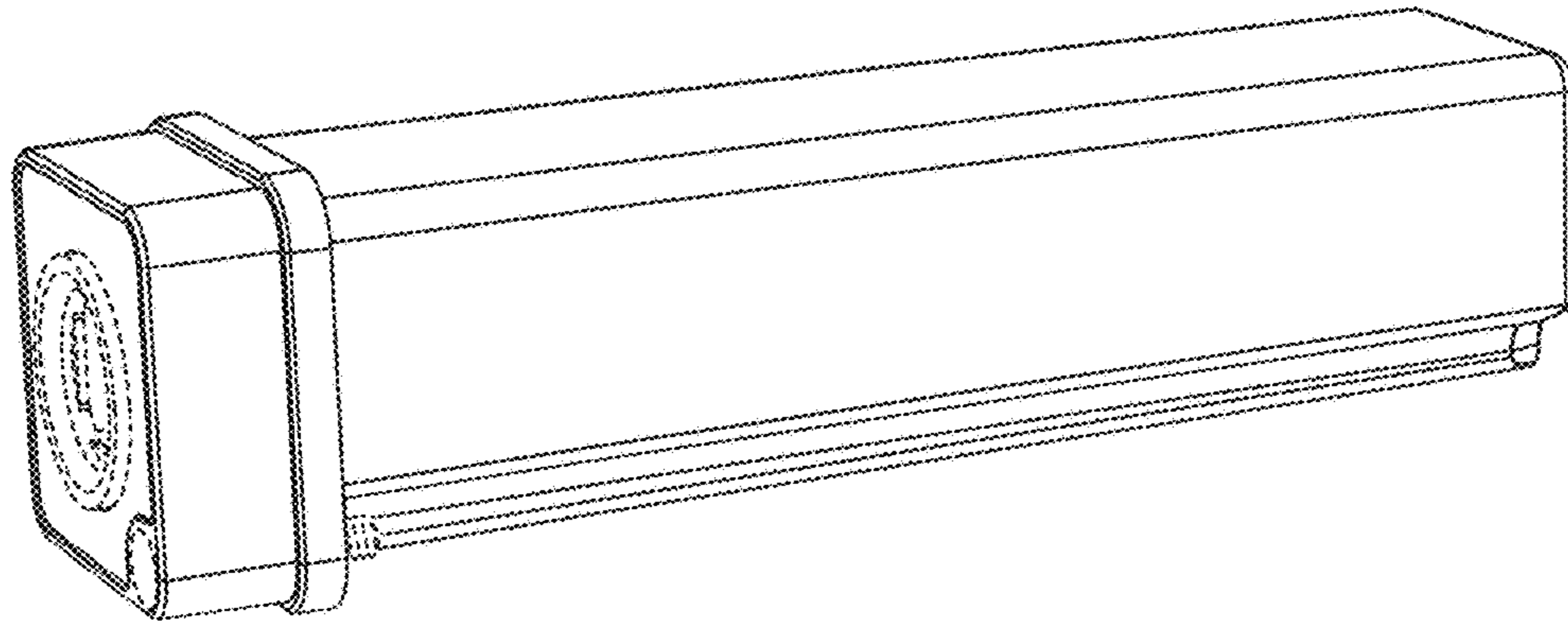


FIG. 1

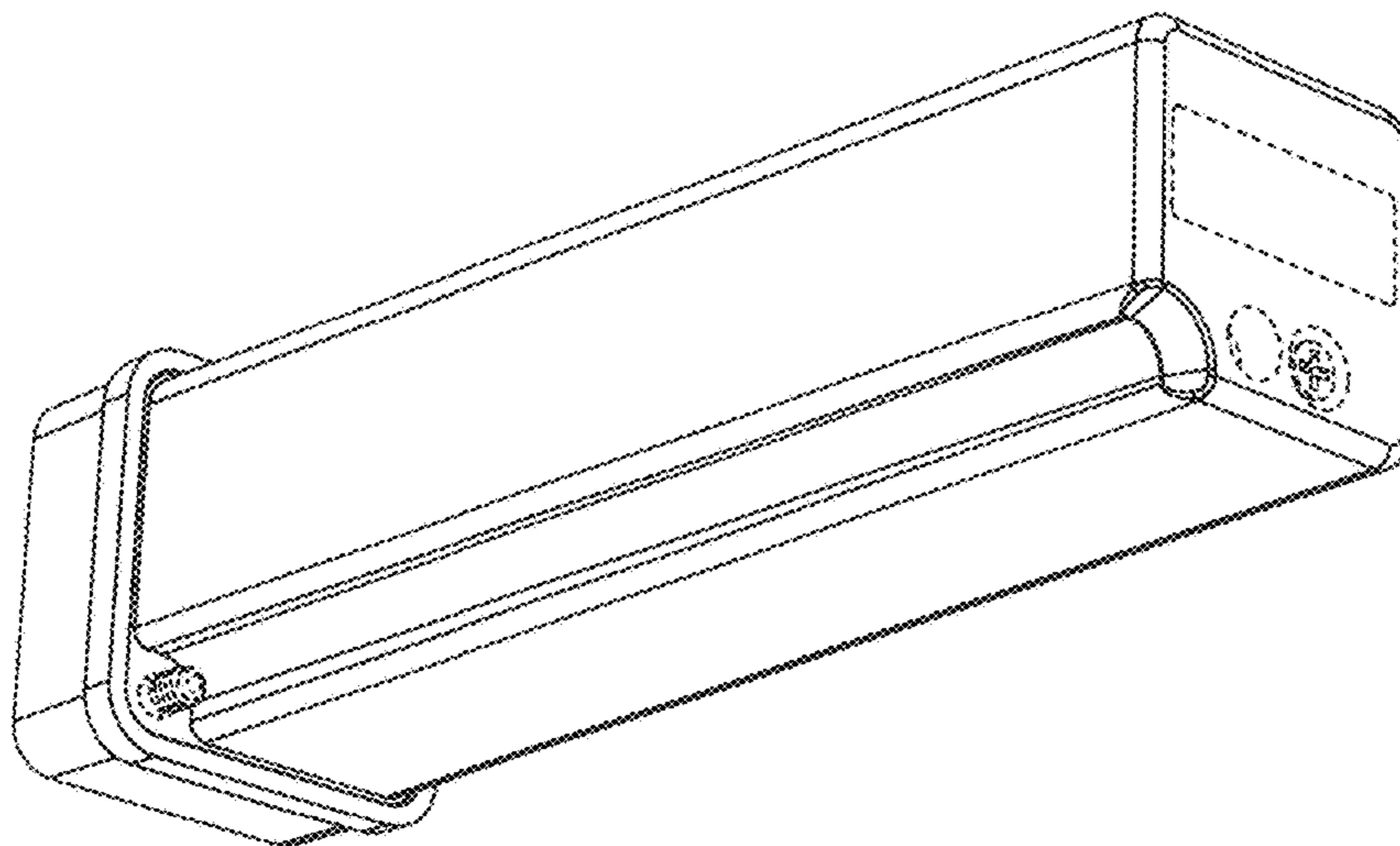


FIG. 2

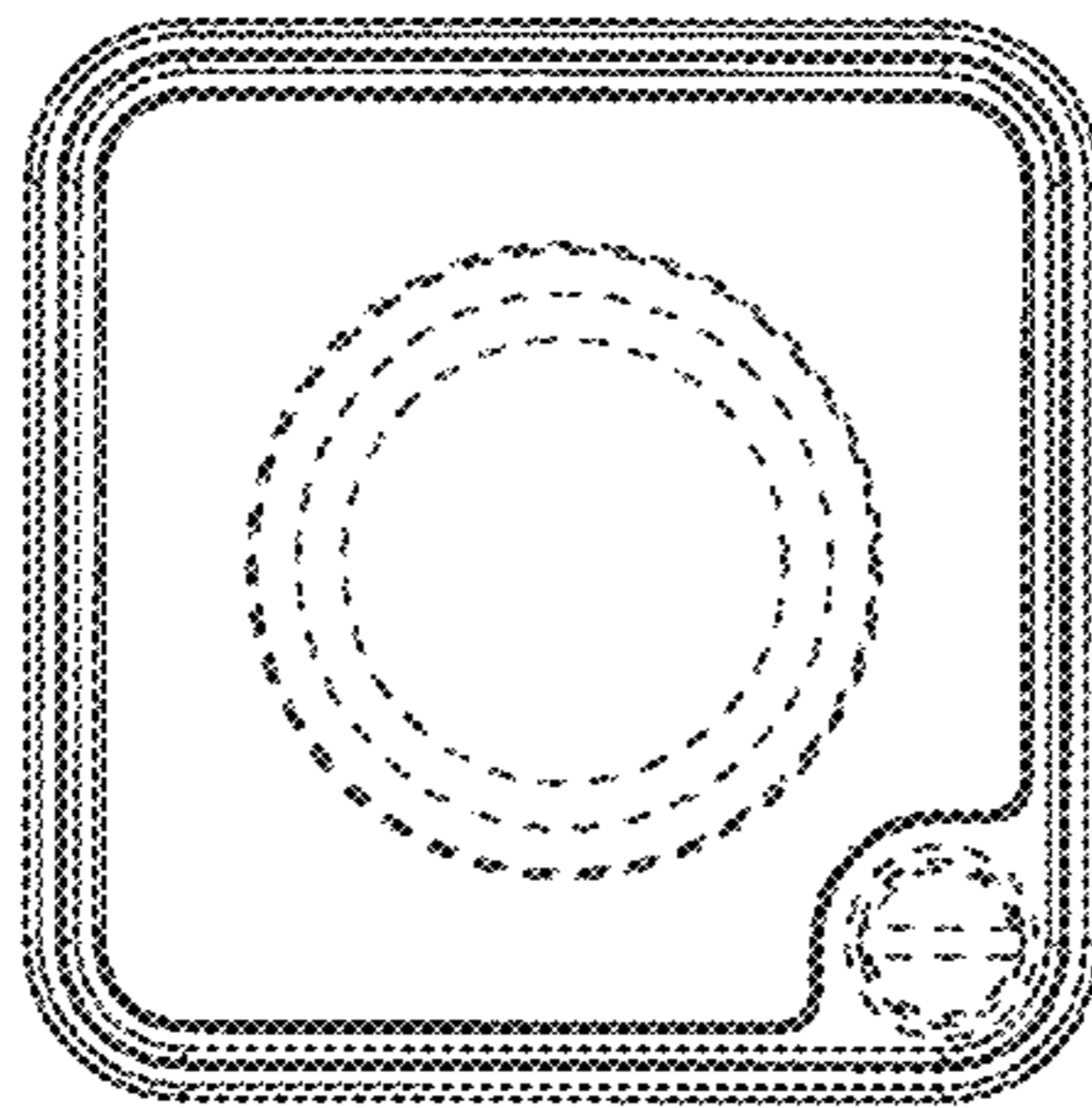


FIG. 3

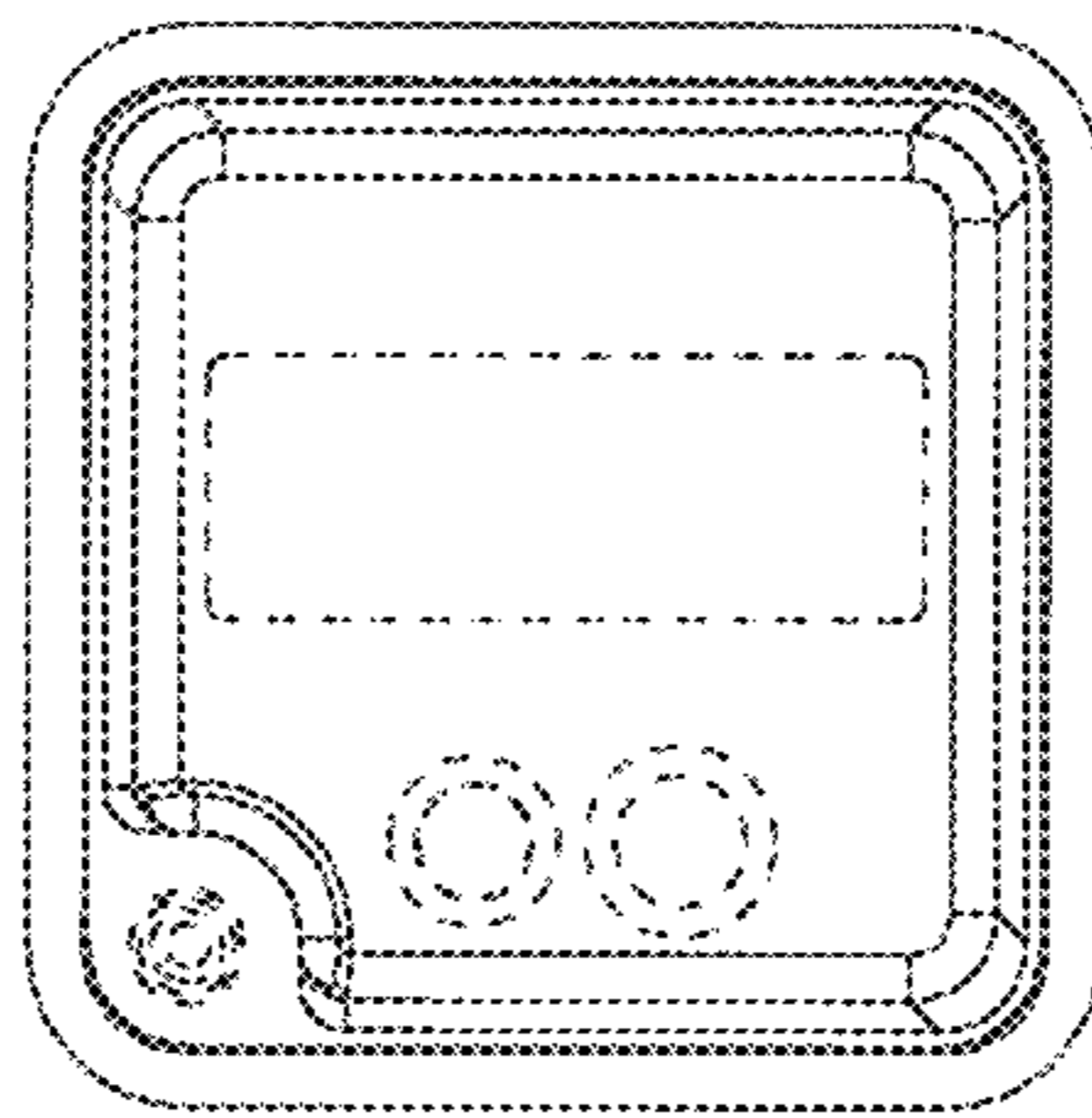


FIG. 4

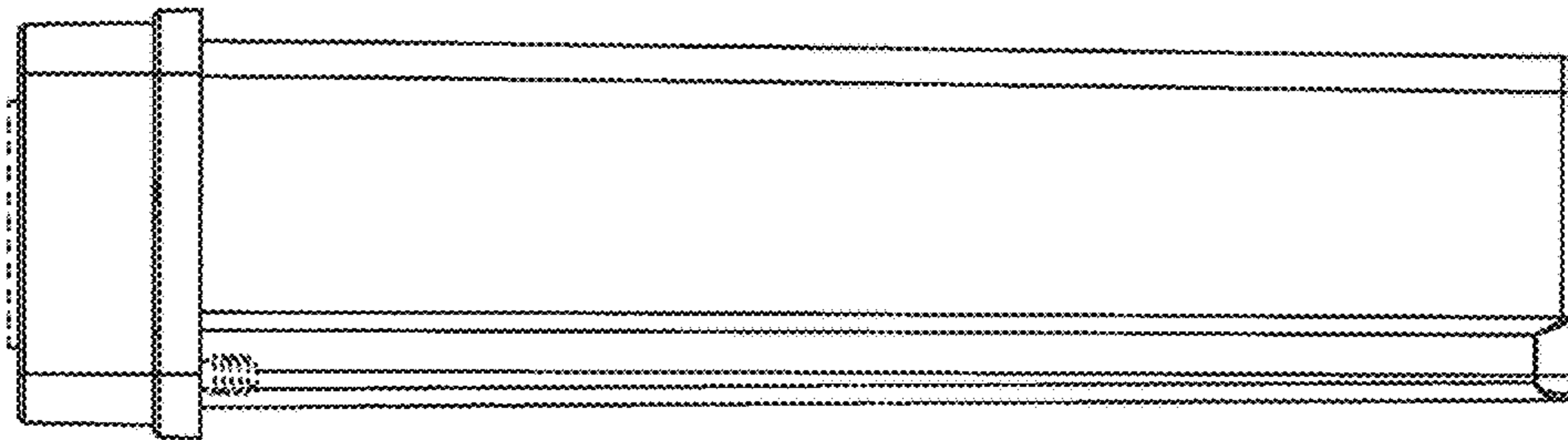


FIG. 5

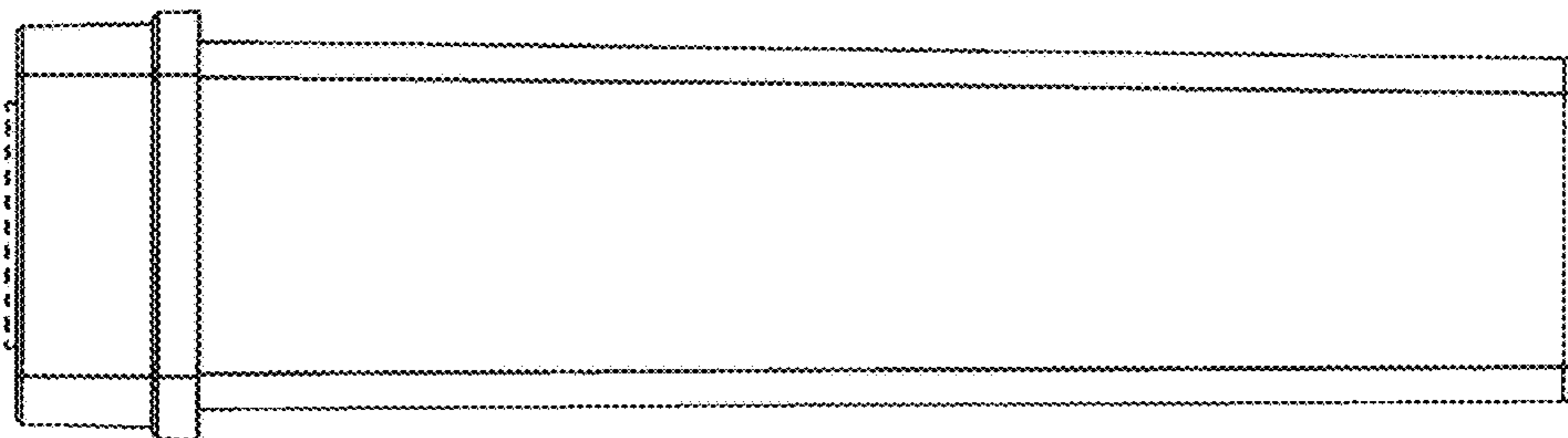


FIG. 6

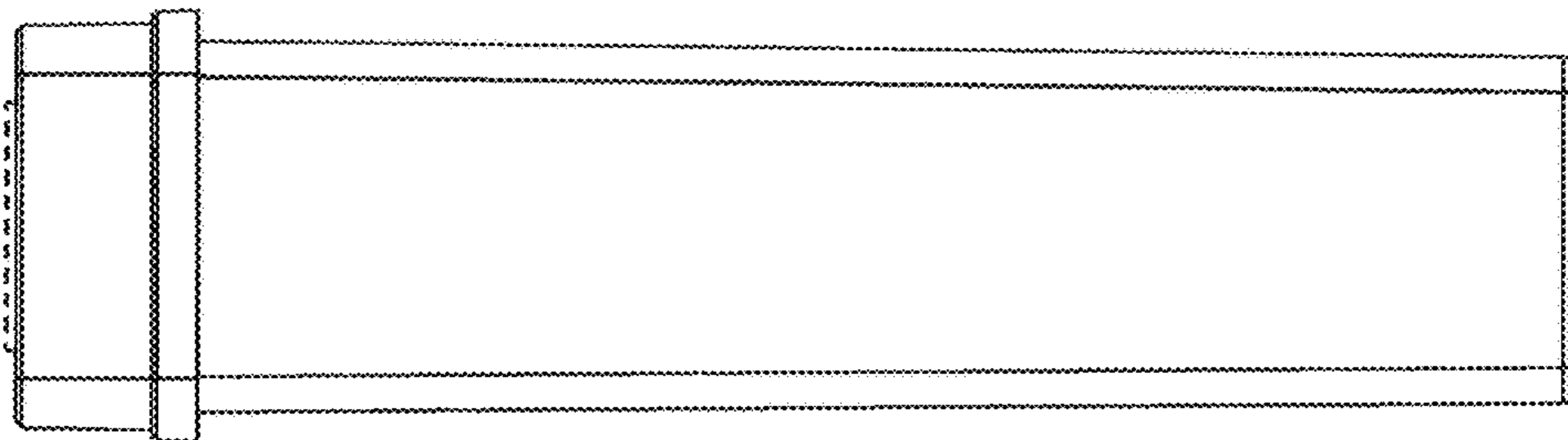


FIG. 7

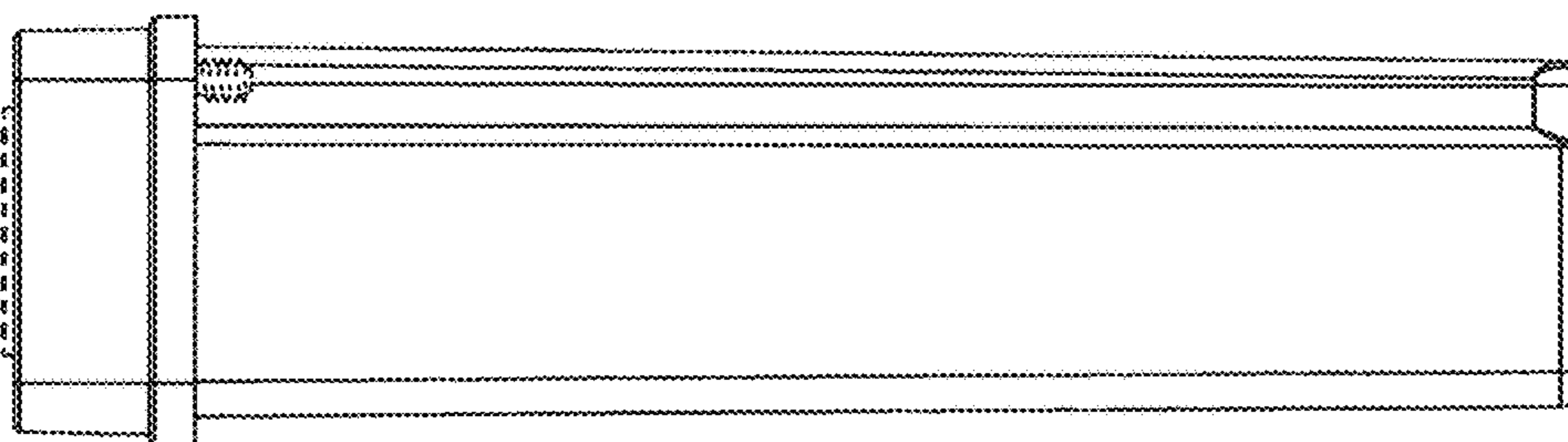


FIG. 8

Front

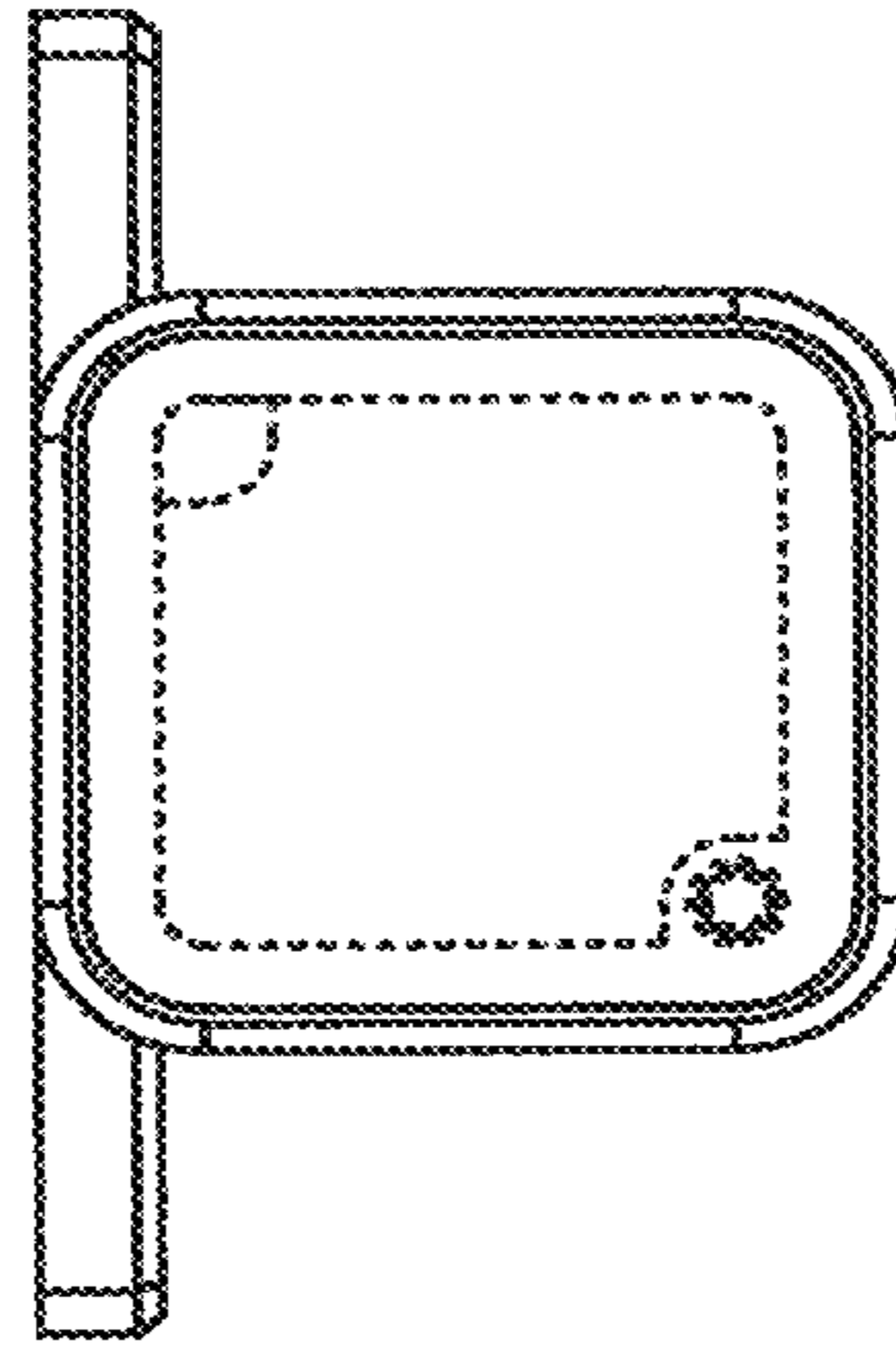


FIG. 9

Back

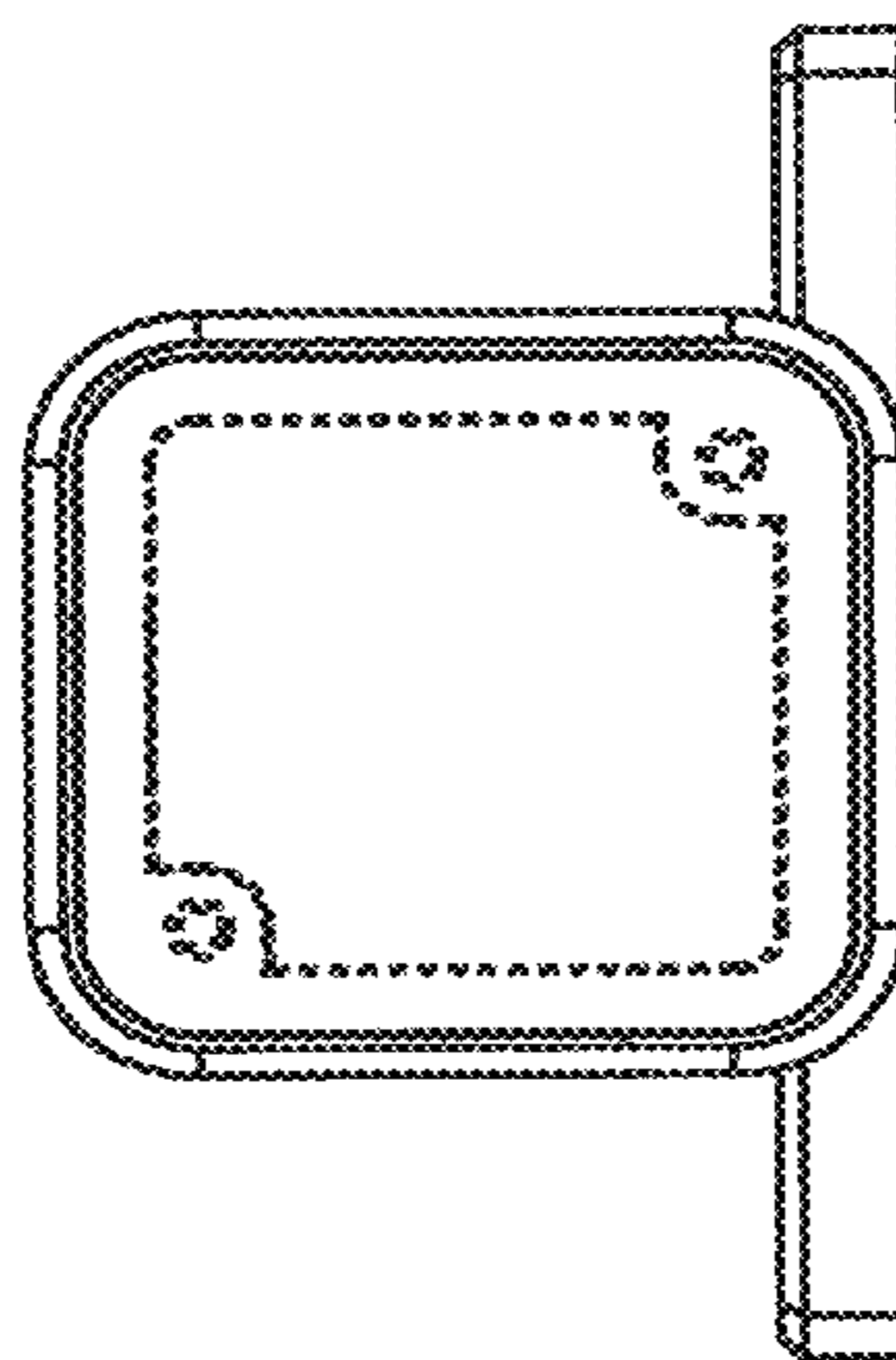


FIG. 10

Right

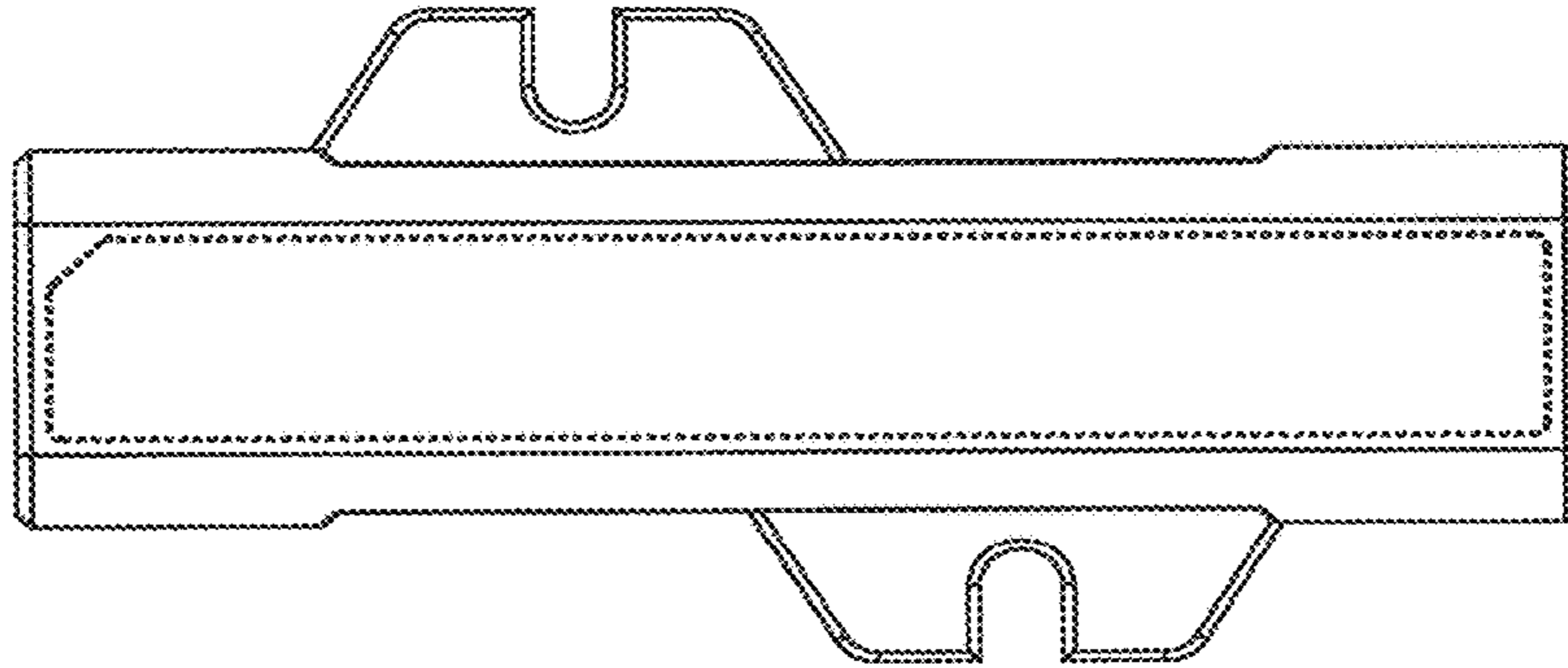


FIG. 11

Top

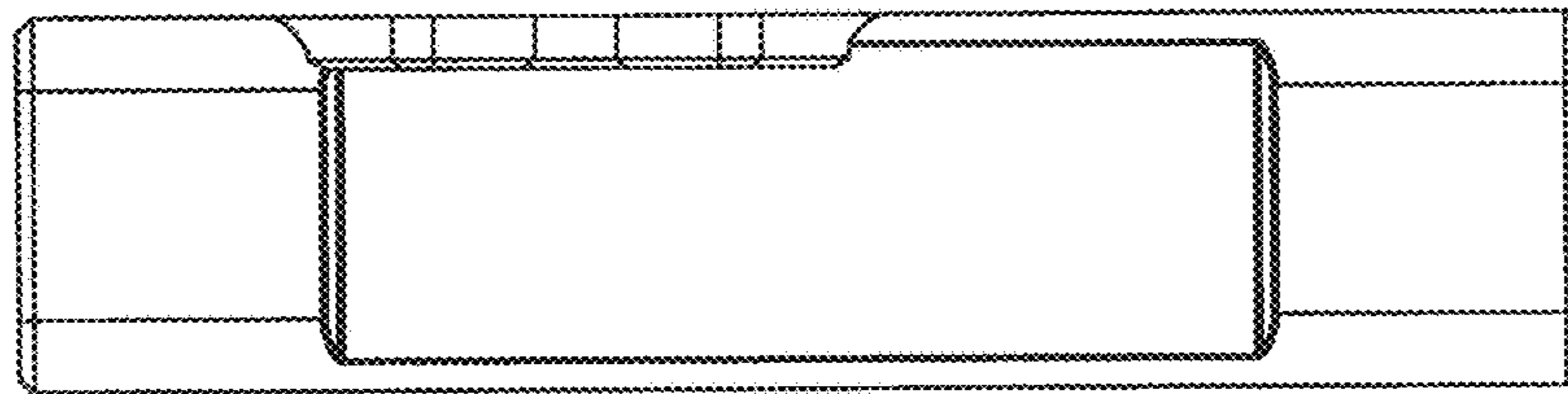


FIG. 12

Left

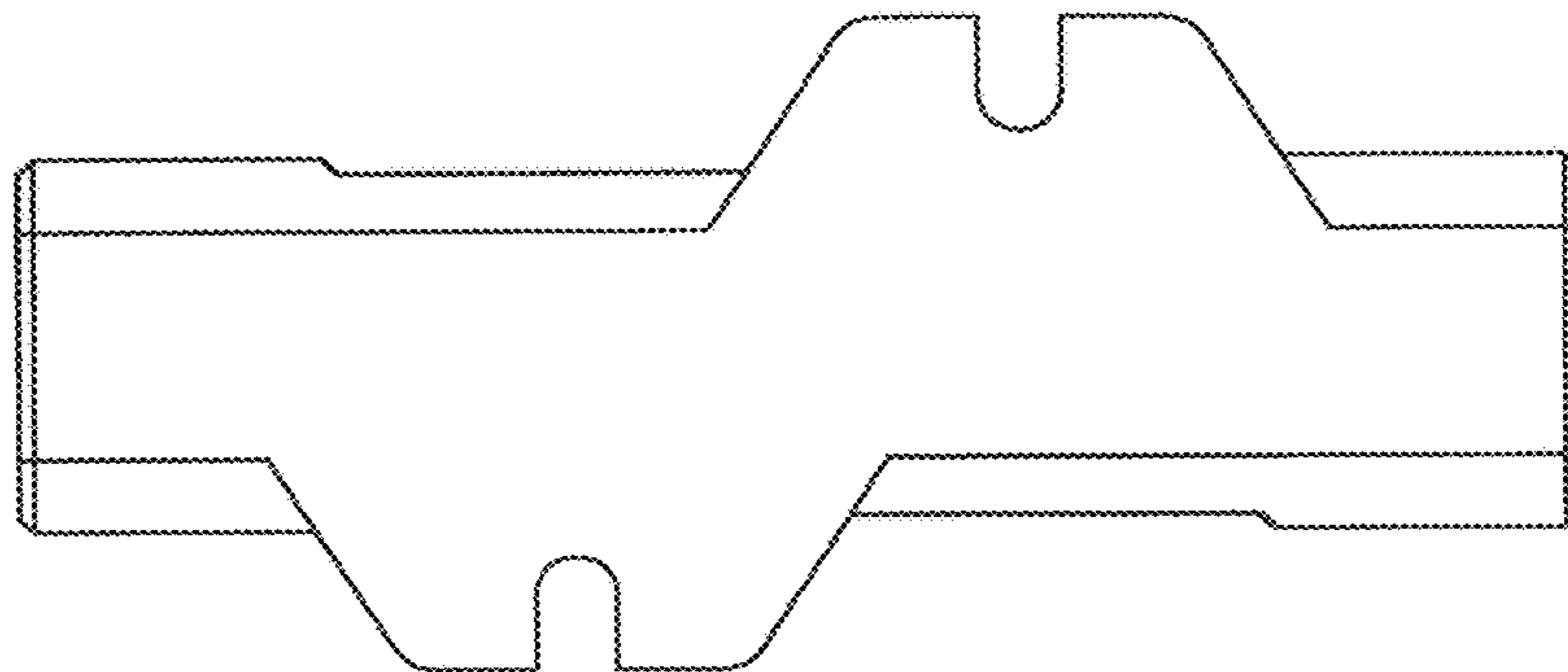


FIG. 13

Bottom

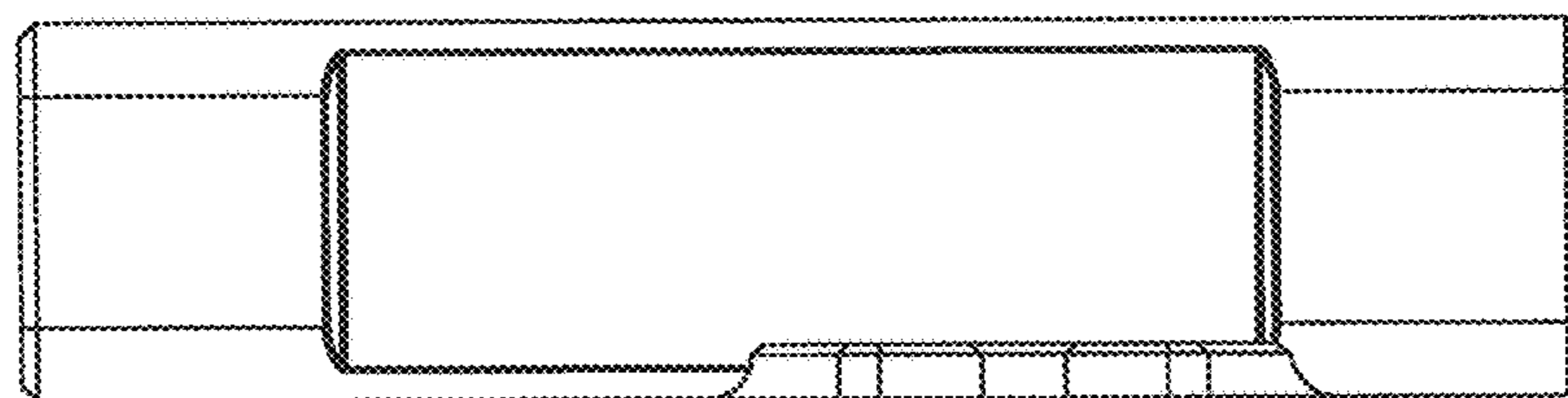


FIG. 14

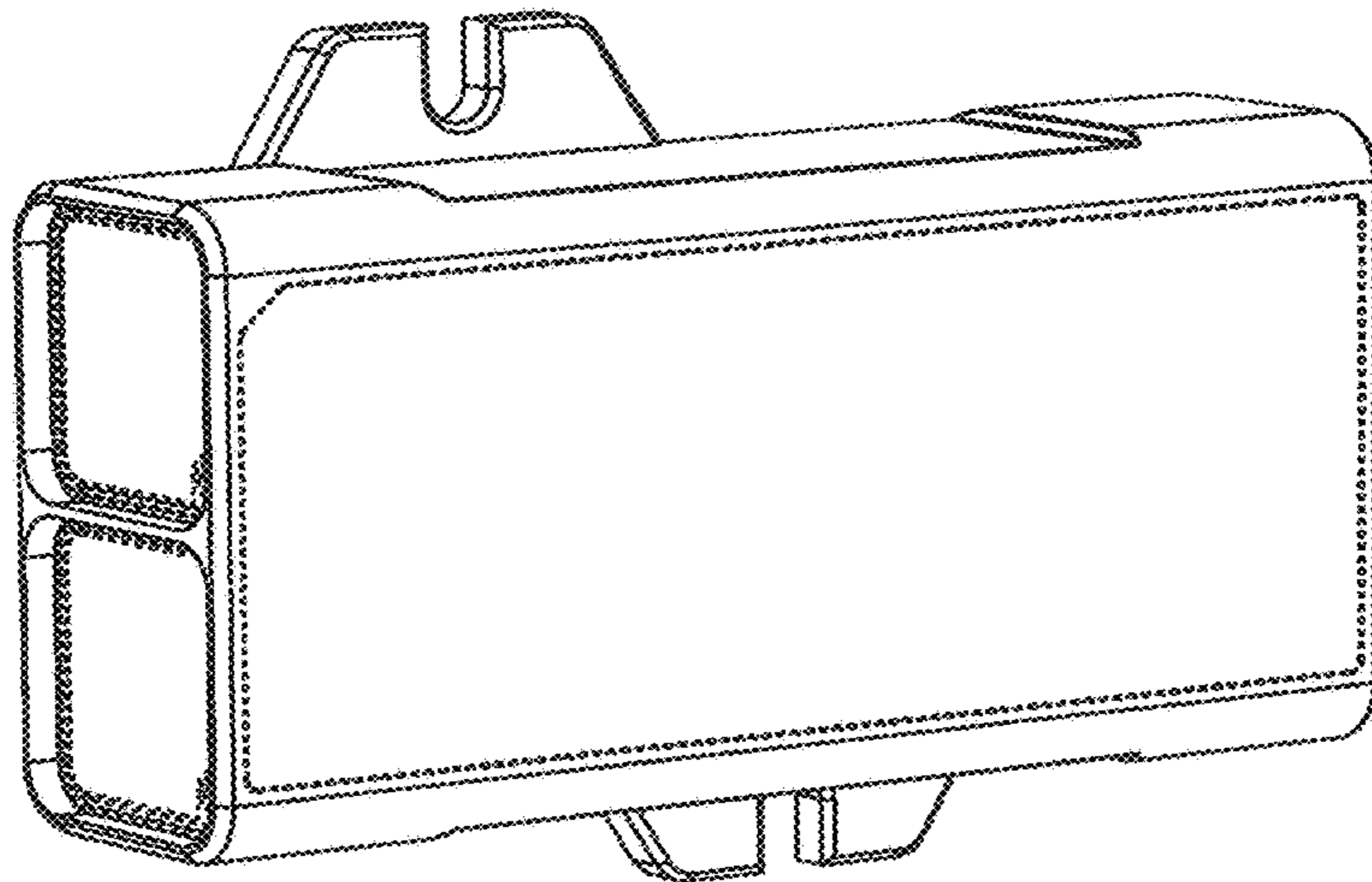


FIG. 15

Front

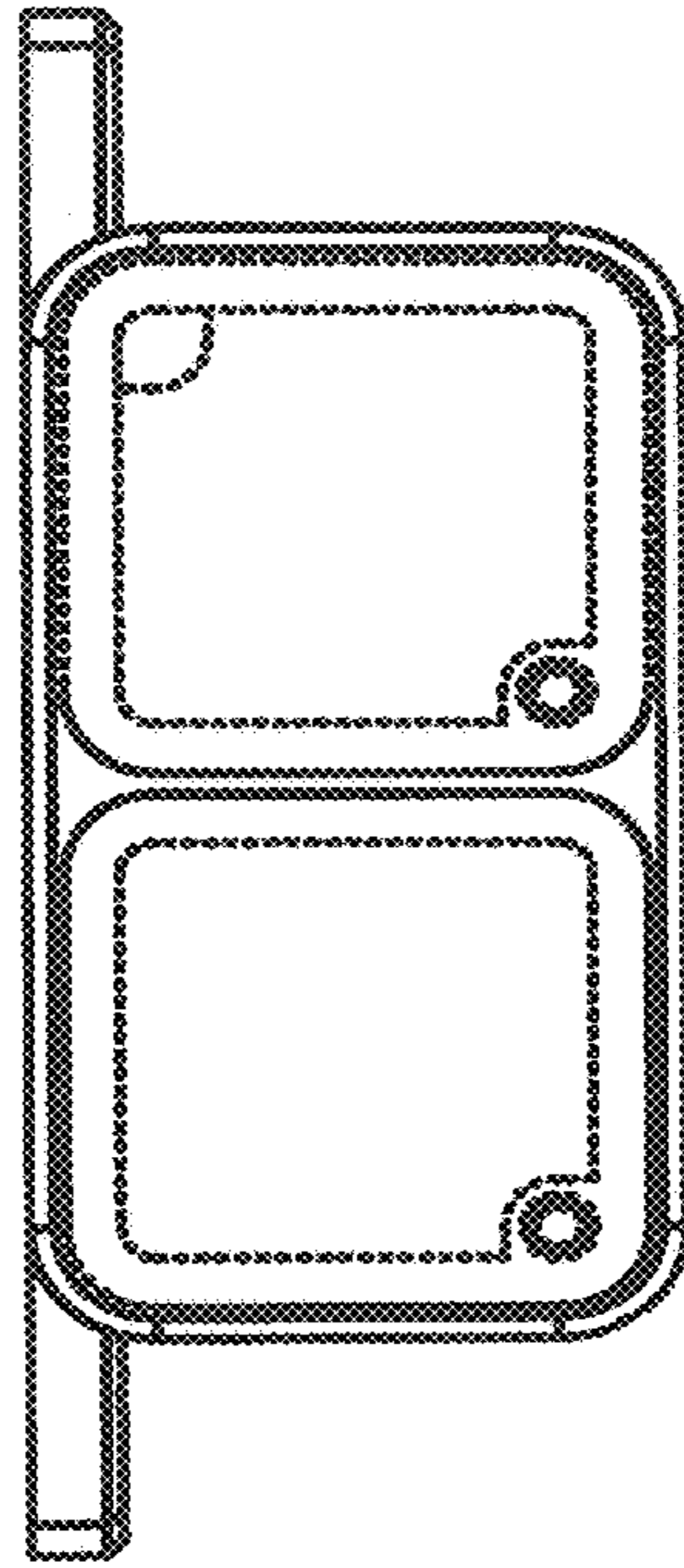


FIG. 16

Back

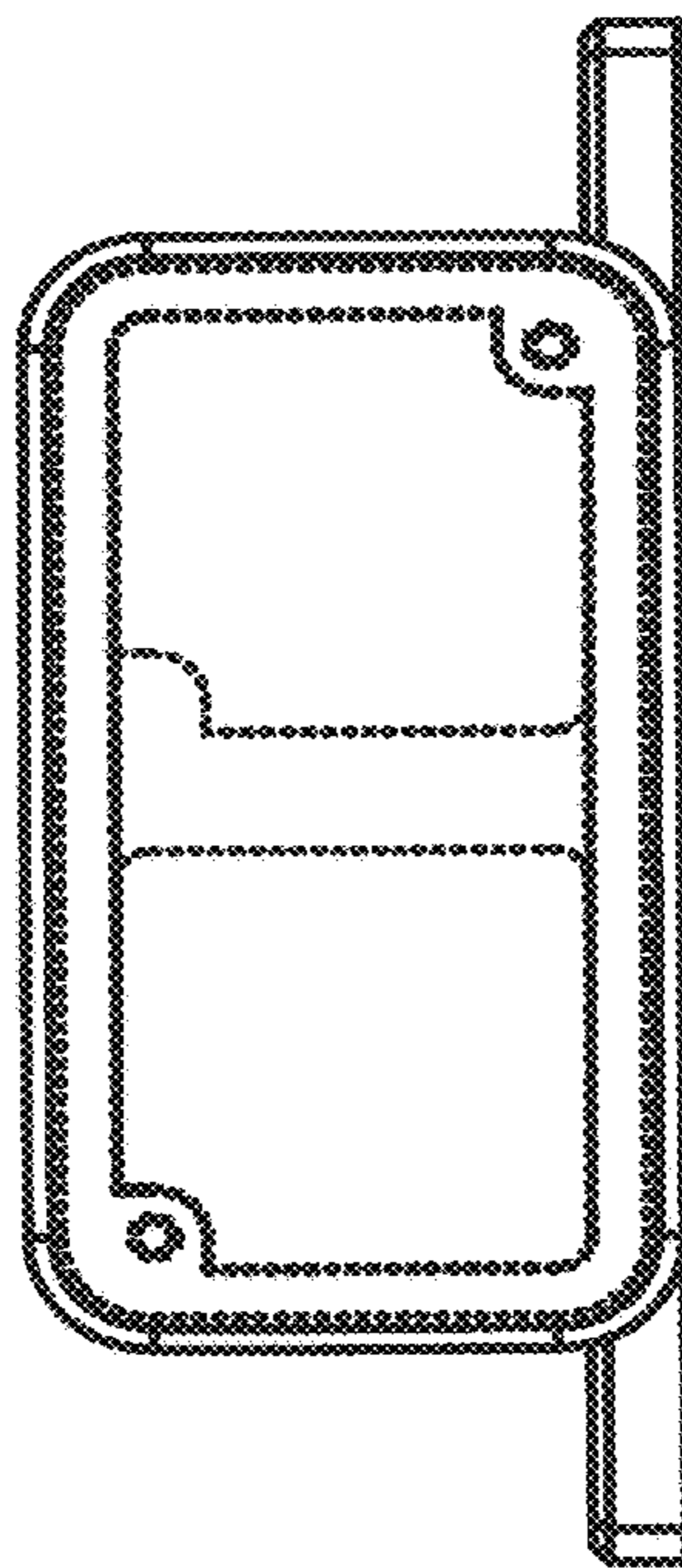


FIG. 17

Right

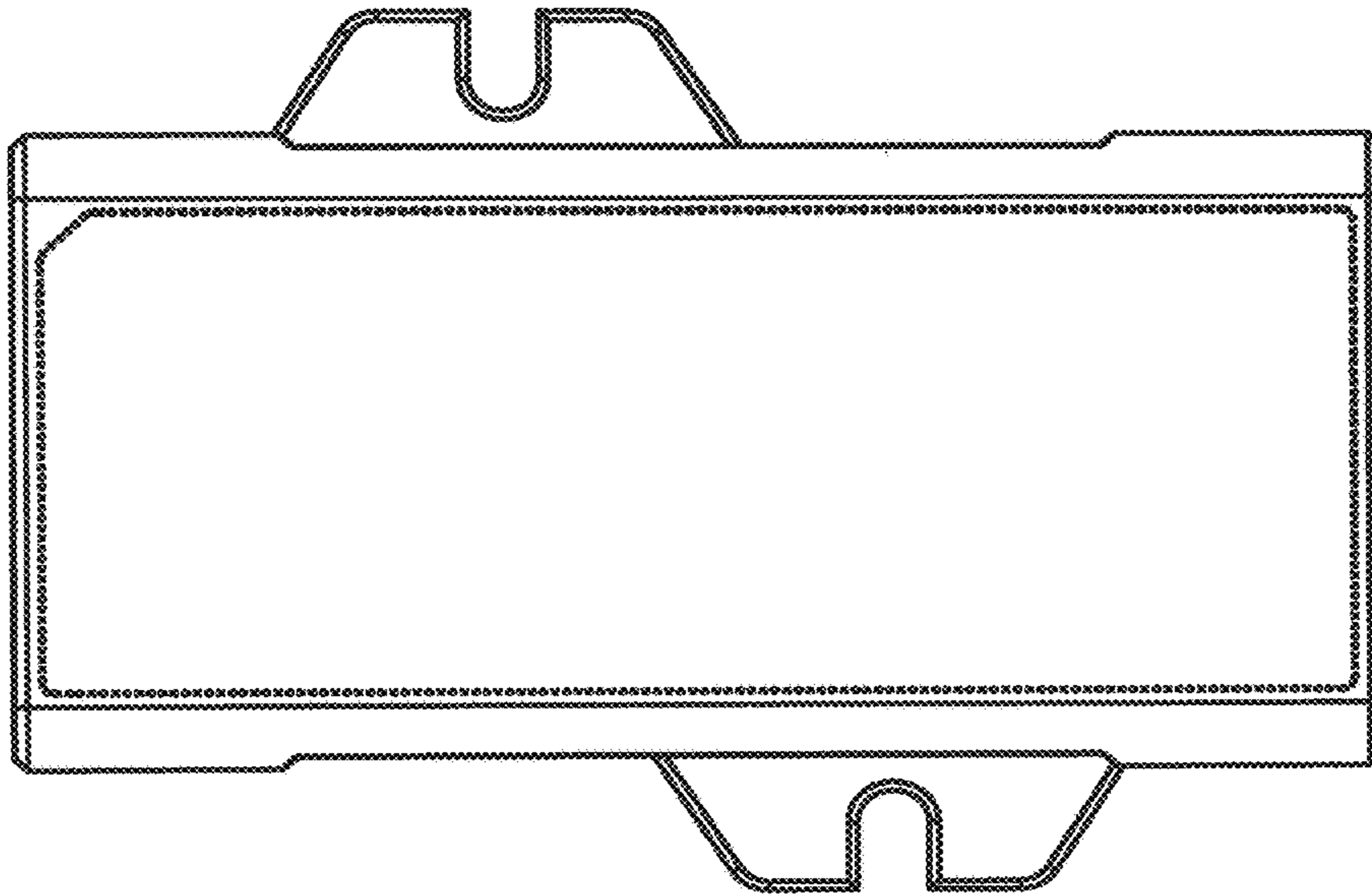


FIG. 18

Top

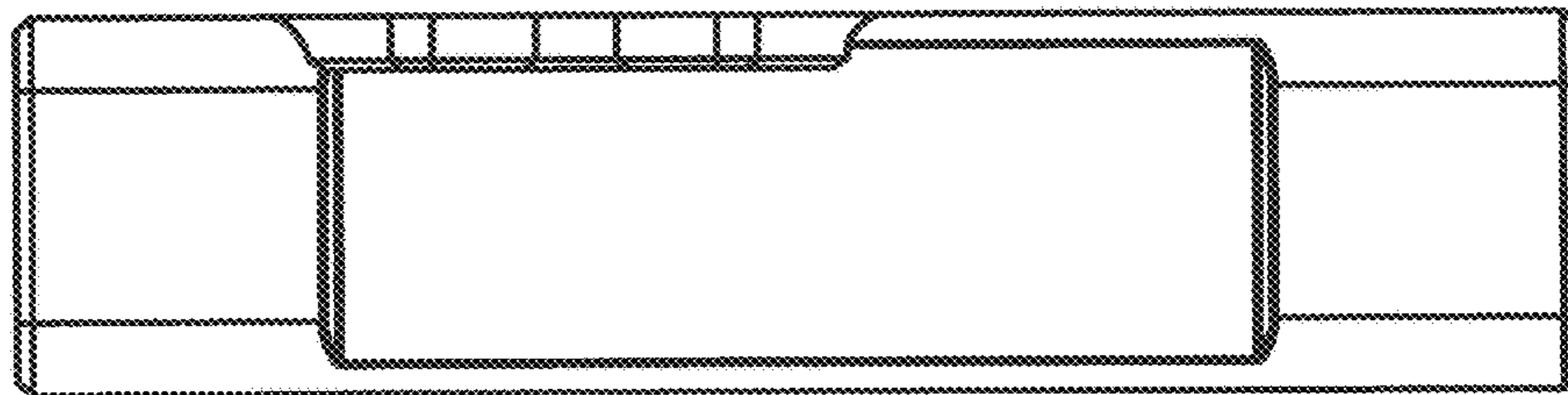


FIG. 19

Left

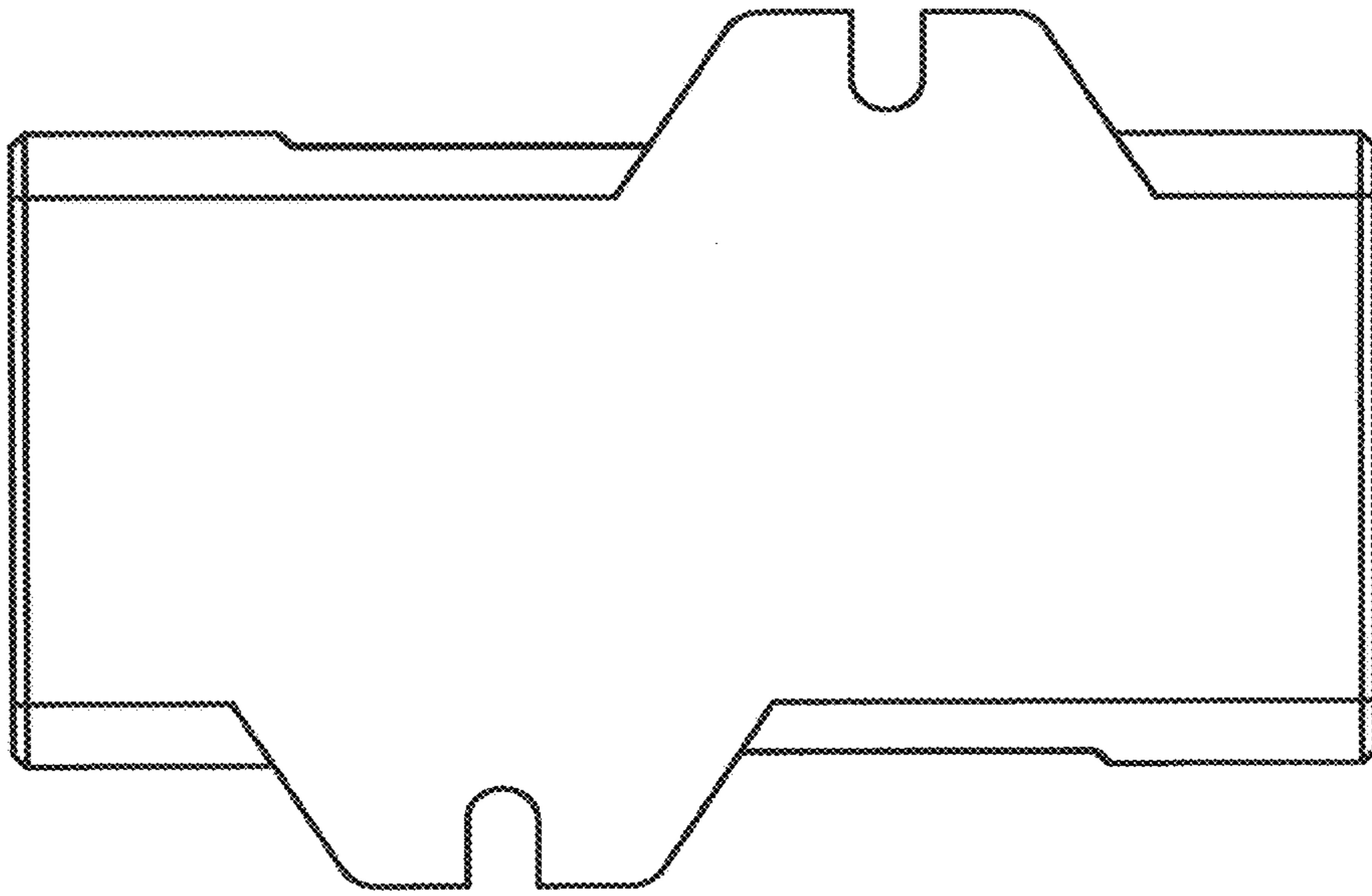


FIG. 20

Bottom

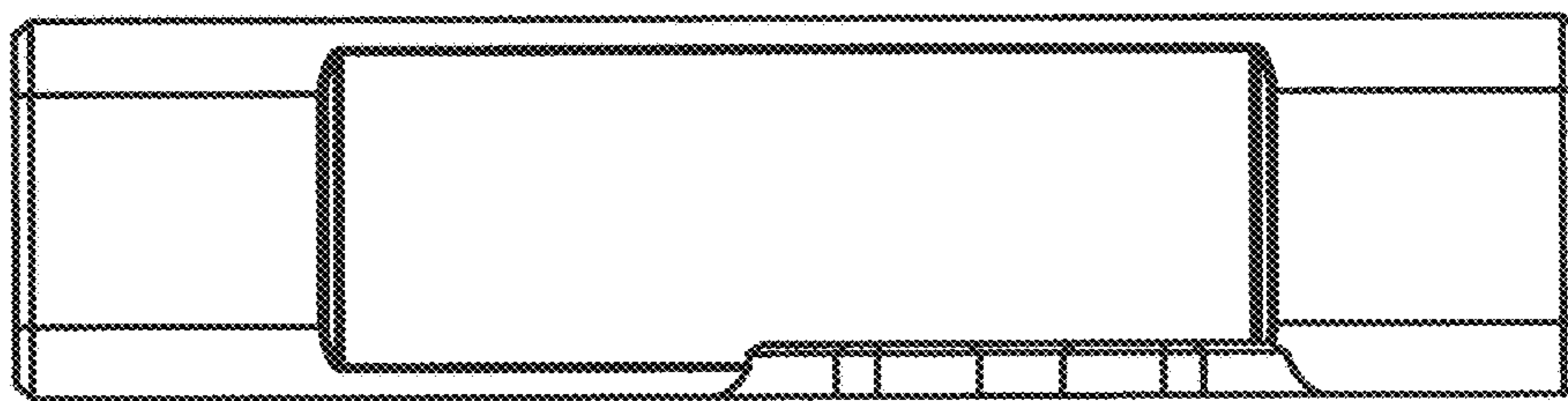


FIG. 21