

US00D835096S

(12) **United States Design Patent** (10) **Patent No.:** **US D835,096 S**
Woo et al. (45) **Date of Patent:** **** Dec. 4, 2018**

(54) **COMPUTER COMBINED WITH MONITOR**

(56) **References Cited**

(71) Applicant: **LG ELECTRONICS INC.**, Seoul (KR)

U.S. PATENT DOCUMENTS

(72) Inventors: **Gangho Woo**, Seoul (KR); **Sooyoung Park**, Seoul (KR)

D540,795 S *	4/2007	Takahashi	D14/317
D661,305 S *	6/2012	Andre	D14/374
D664,541 S *	7/2012	Kim	D14/374
D677,257 S *	3/2013	Andre	D14/374
D727,893 S *	4/2015	Lee	D14/336
D728,558 S *	5/2015	Lee	D14/336
D755,144 S *	5/2016	Kim	D14/126
D791,763 S *	7/2017	Akana	D14/336
D806,068 S *	12/2017	Liu	D14/336
D817,323 S *	5/2018	Eun	D14/336
D820,230 S *	6/2018	Cha	D14/126
D820,231 S *	6/2018	Cha	D14/126
D821,395 S *	6/2018	Thetard	D14/374

(73) Assignee: **LG ELECTRONICS INC.**, Seoul (KR)

(**) Term: **15 Years**

(21) Appl. No.: **35/503,825**

(22) Filed: **Apr. 11, 2017**

* cited by examiner

(80) **Hague Agreement Data**

Primary Examiner — Michael A. Pratt

Int. Filing Date: **Apr. 11, 2017**

(74) *Attorney, Agent, or Firm* — Birch, Stewart, Kolasch & Birch, LLP

Int. Reg. No.: **DM/095686**

Int. Reg. Date: **Apr. 11, 2017**

Int. Reg. Pub. Date: **Oct. 13, 2017**

(57) **CLAIM**

The ornamental design for a computer combined with monitor, as shown and described.

(30) **Foreign Application Priority Data**

DESCRIPTION

Oct. 11, 2016 (KR) 30-2016-0048733

(51) **LOC (11) Cl.** **14-02**

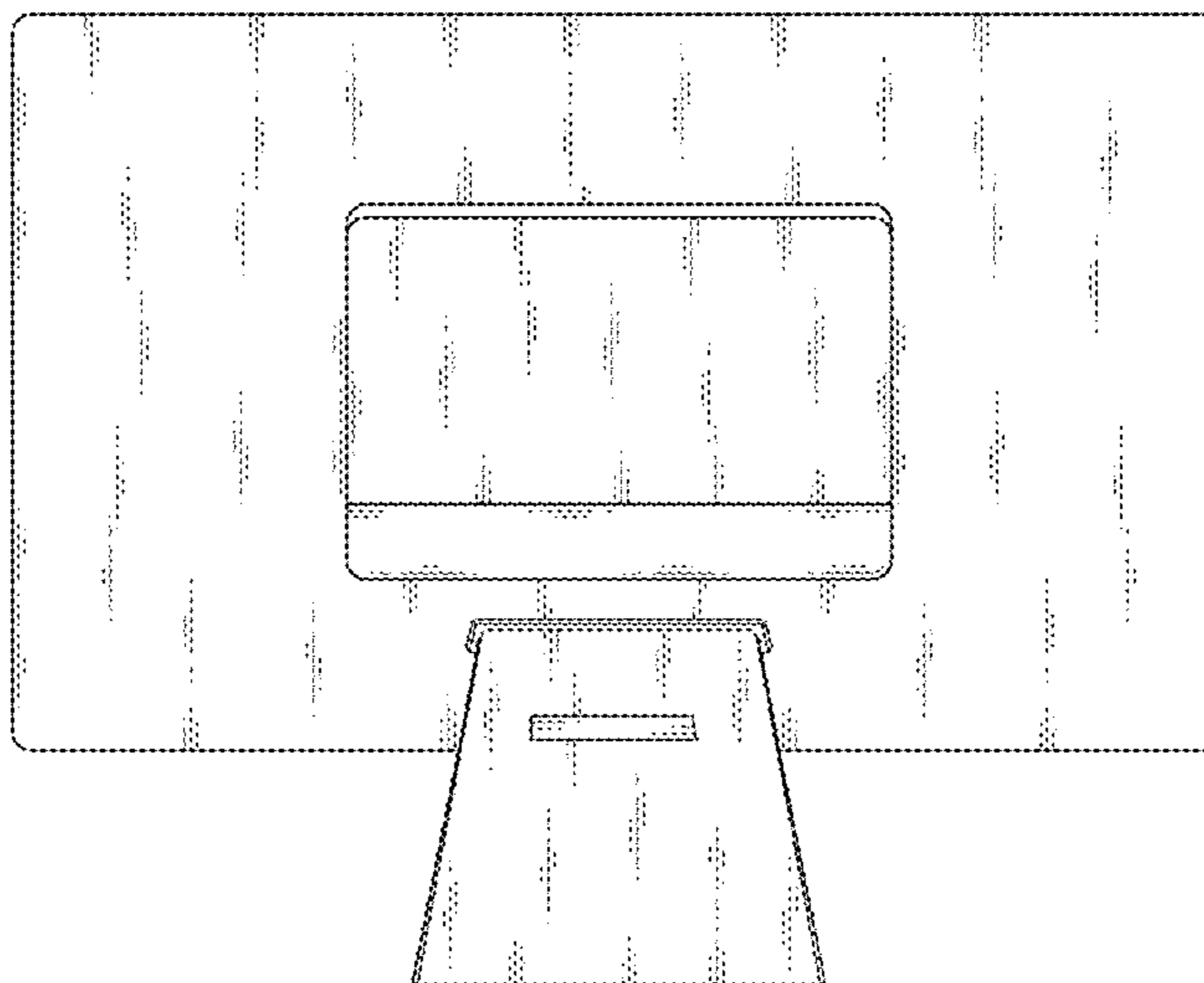
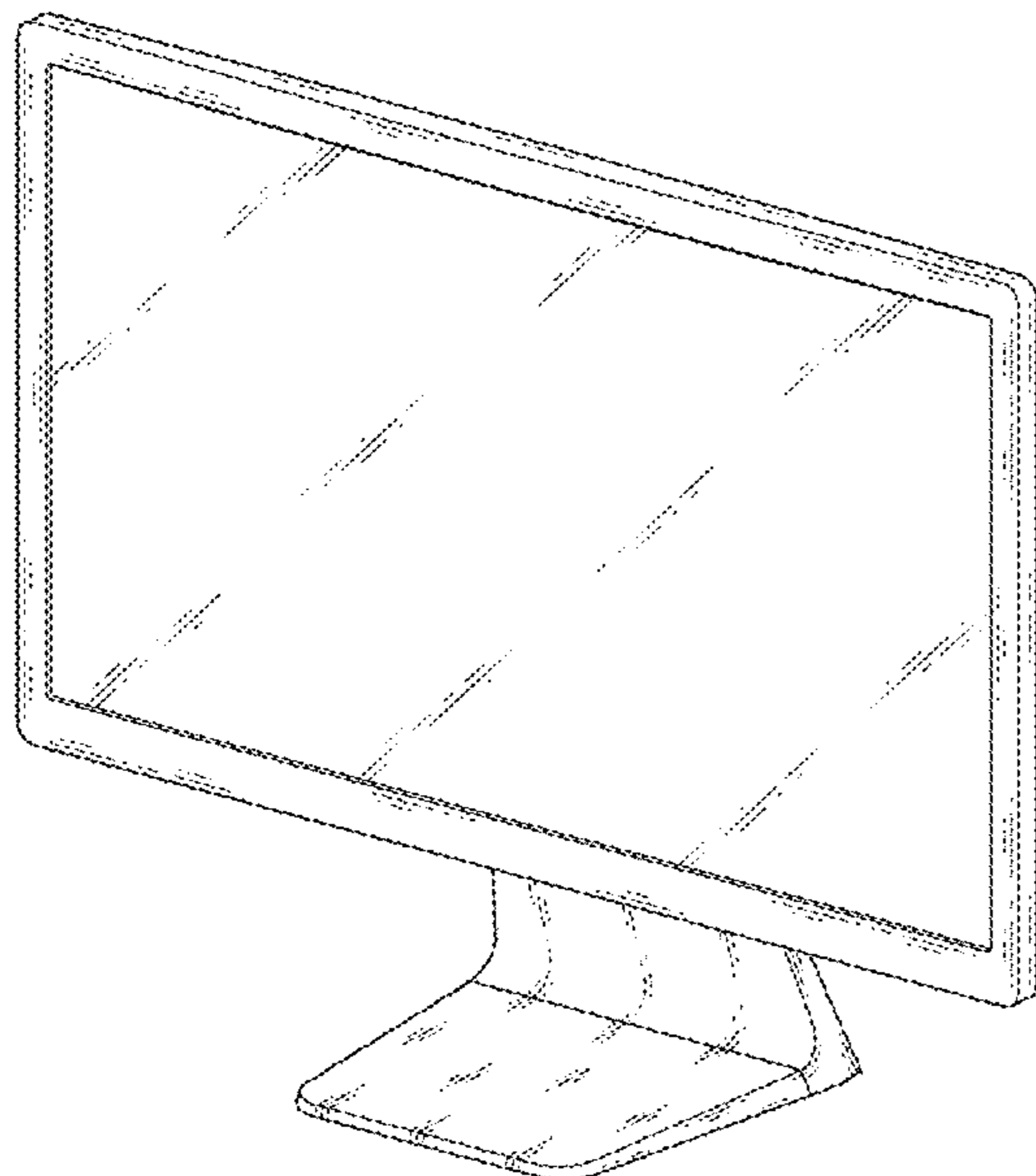
(52) **U.S. Cl.**
USPC **D14/336; D14/371**

(58) **Field of Classification Search**
USPC D14/126, 127, 128, 336, 371, 448
CPC .. H05K 5/0017; H05K 5/0204; G06F 1/1692;
G06F 1/165; G06F 1/1601; G06F 1/1637;
H04N 5/64

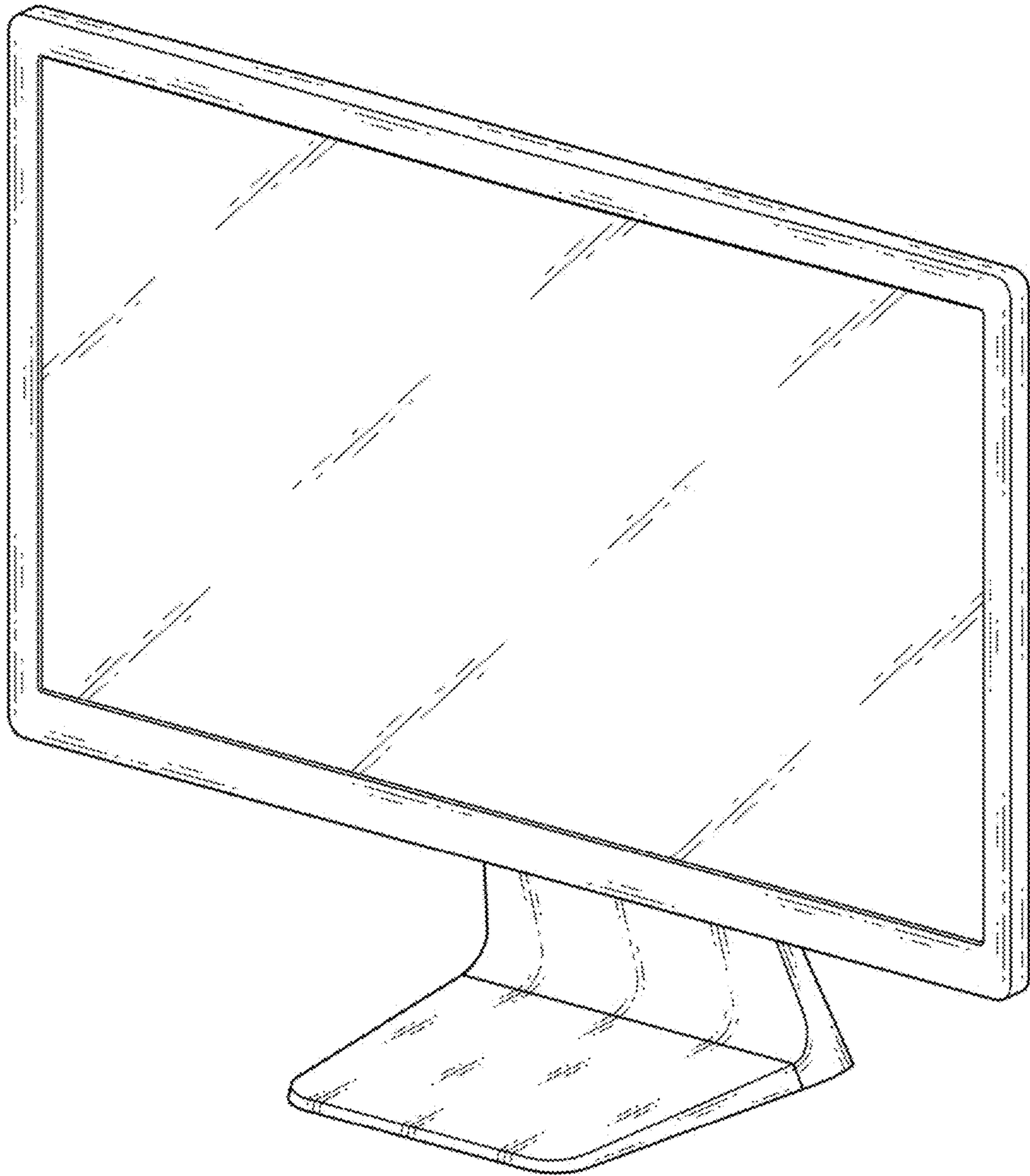
1. Computer combined with monitor
- 1.1: Perspective
- 1.2: Front
- 1.3: Rear
- 1.4: Left
- 1.5: Right
- 1.6: Top
- 1.7: Bottom

See application file for complete search history.

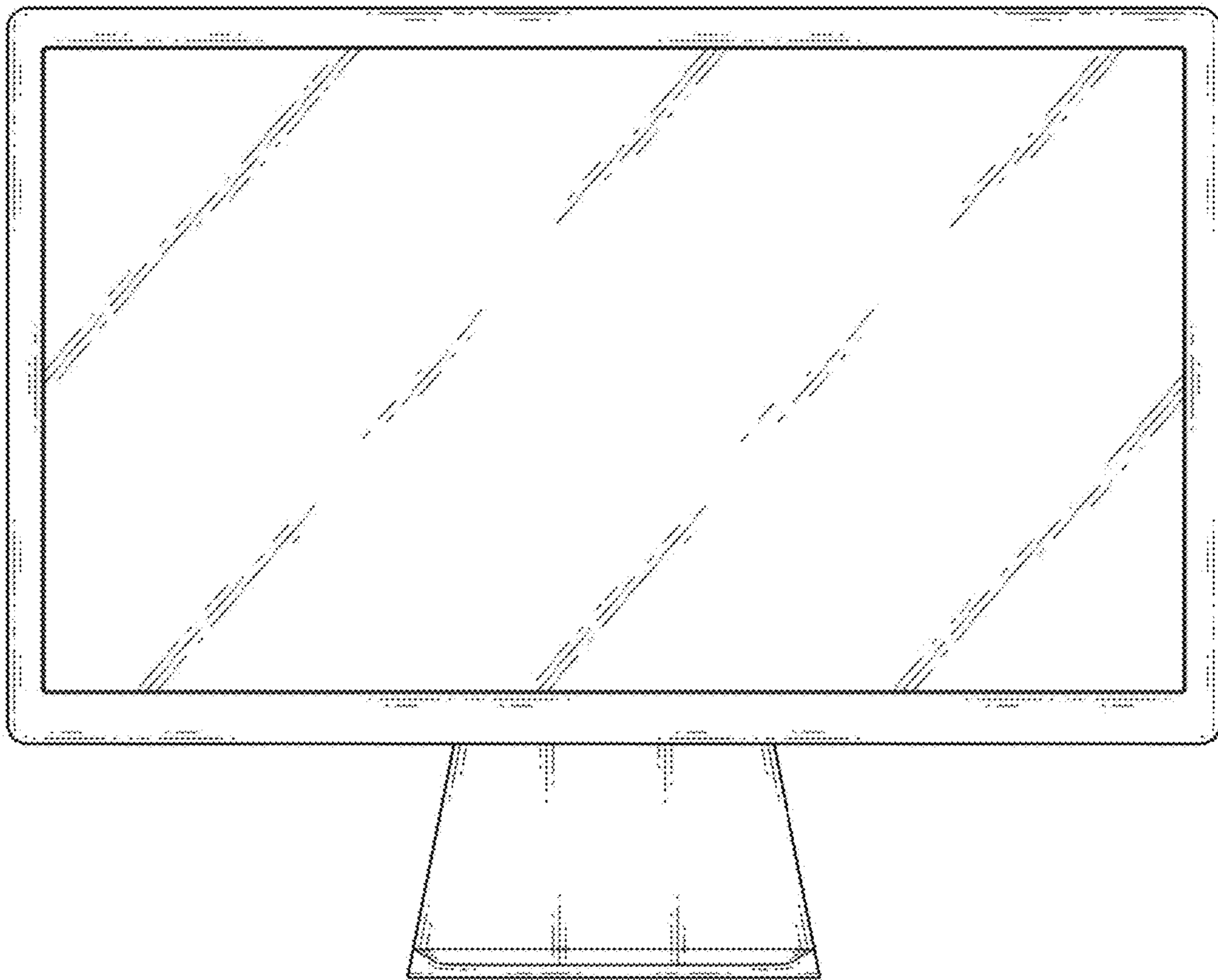
1 Claim, 7 Drawing Sheets



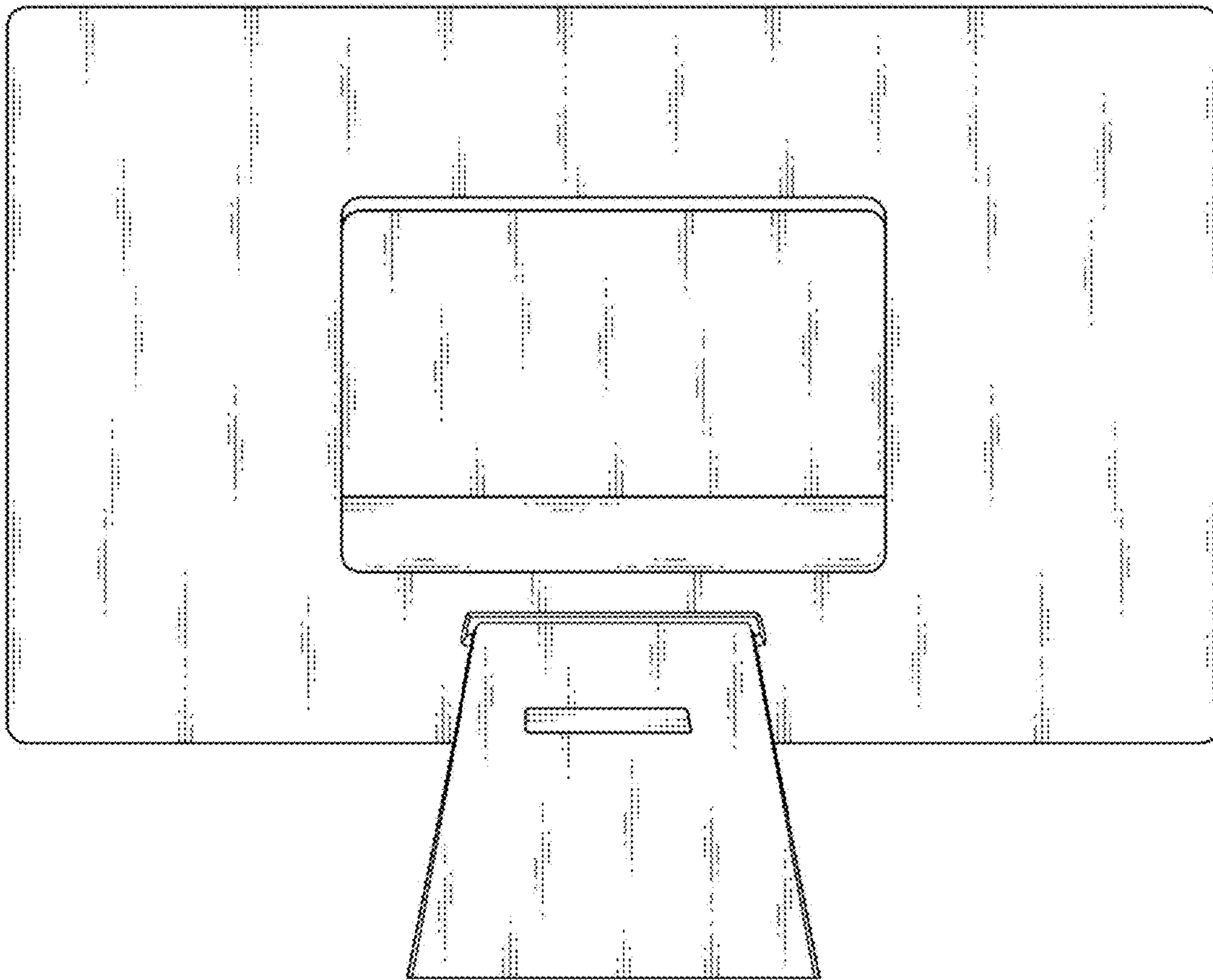
1.1



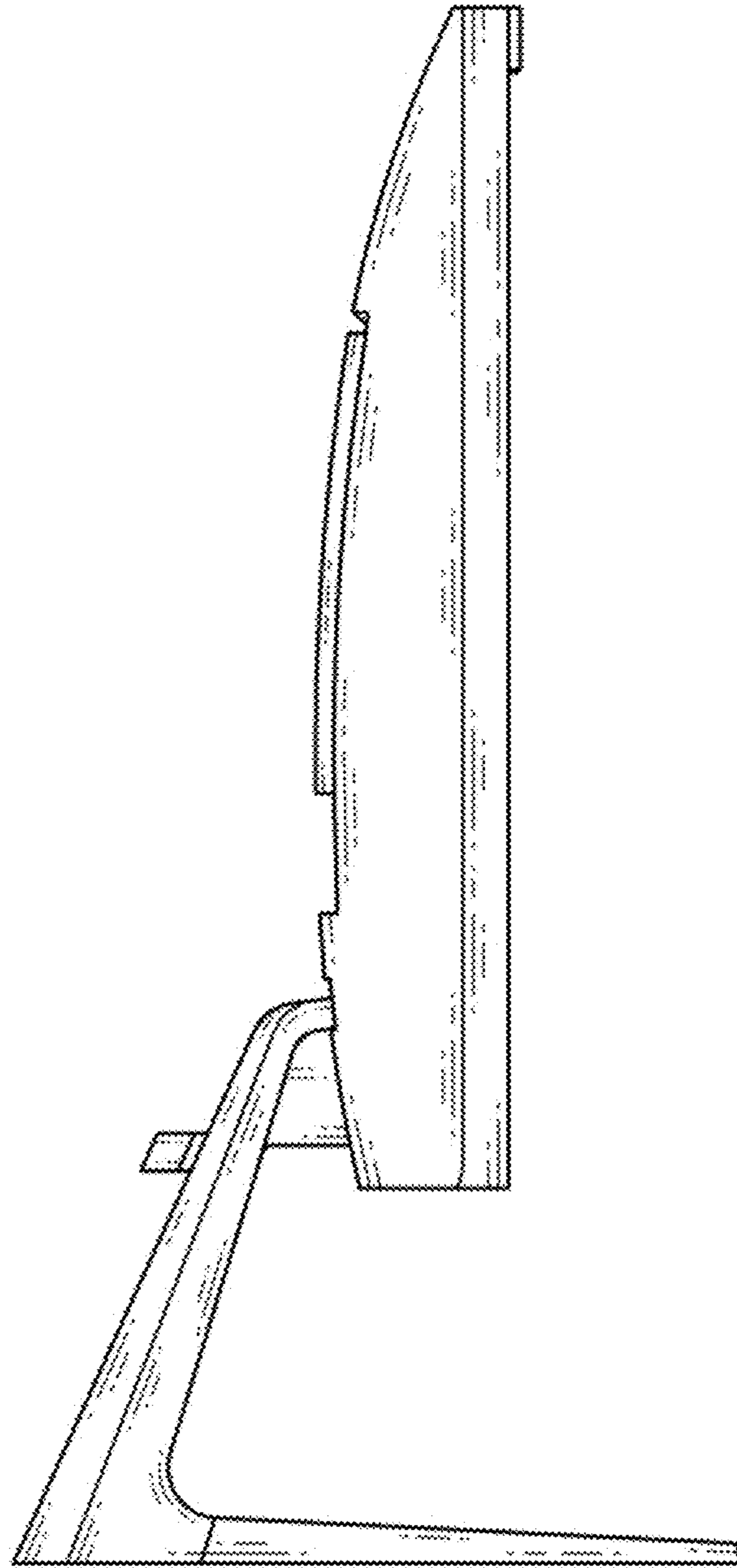
1.2



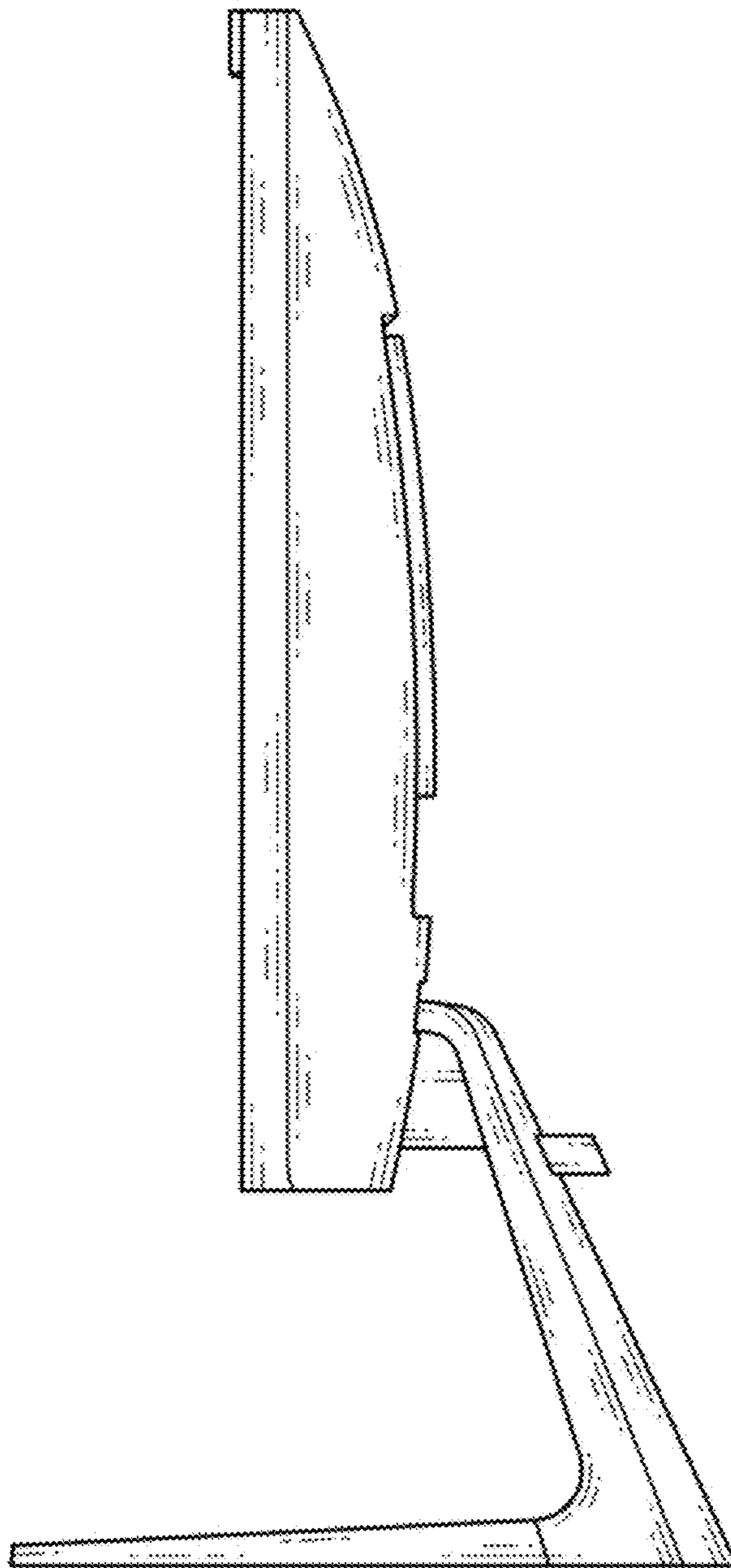
1.3



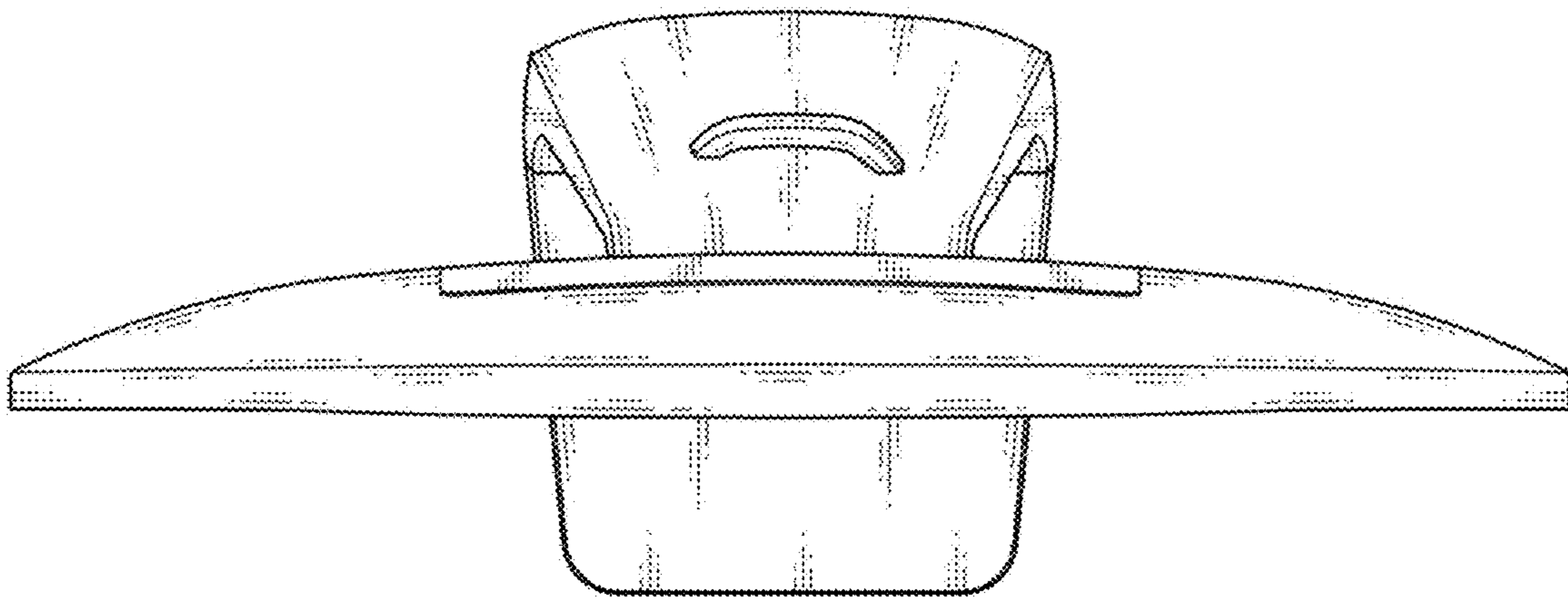
1.4



1.5



1.6



1.7

