



US00D835094S

(12) **United States Design Patent**
Villalvazo

(10) **Patent No.:** **US D835,094 S**
(45) **Date of Patent:** **** Dec. 4, 2018**

- (54) **NETWORK EQUIPMENT RACK**
- (71) Applicant: **CAL LAB SOLUTIONS INC.**, Santa Clara, CA (US)
- (72) Inventor: **Leticia Villalvazo**, Santa Clara, CA (US)
- (**) Term: **15 Years**
- (21) Appl. No.: **29/614,315**
- (22) Filed: **Aug. 17, 2017**
- (51) **LOC (11) Cl.** **14-02**
- (52) **U.S. Cl.**
USPC **D14/313**
- (58) **Field of Classification Search**
USPC D14/240, 300, 301, 308, 313, 314, D14/348-356, 364-368, 188; D13/123, D13/158, 162, 184, 199; 312/223.1-223.3, 351.11; 360/99.01-99.12; 369/34.01-36.01; 361/679.31-679.33, 679.37, 679.39, 361/679.46, 679.53, 679.4, 679.41, 727
CPC . G06F 1/20; G06F 1/181; G06F 1/187; G06F 1/183; G06F 1/184; G06F 1/16; G06F 3/023; H05K 7/16; H05K 7/1424; H05K 7/1409; H05K 7/20; H05K 7/20545; H05K 7/183; H05K 7/1429; H05K 7/20727; H05K 7/1425; H05K 7/1488; H05K 7/14; H05K 5/00; H05K 7/00; H05H 7/20; G11B 33/126; G11B 33/128; G11B 33/08; G11B 33/02; H02B 1/00; H02B 1/32; H02B 1/301; A47F 5/10; A47B 47/05; G02B 6/4453
See application file for complete search history.

- D313,013 S * 12/1990 Krietzman D13/184
- 5,165,770 A * 11/1992 Hahn A47B 47/05 211/26
- D374,810 S * 10/1996 Keijser D14/313
- D423,910 S * 5/2000 Cyrell D8/349
- 6,170,673 B1 * 1/2001 Nicolai H02B 1/32 211/26
- 6,315,132 B1 * 11/2001 Hartel H02B 1/301 211/189
- 6,481,582 B1 * 11/2002 Rinderer H05K 7/183 211/26
- D562,327 S * 2/2008 Hsu D13/199
- 2007/0242420 A1 * 10/2007 Hoshino G02B 6/4453 361/600
- 2009/0190293 A1 * 7/2009 Shih G06F 3/023 361/679.02

* cited by examiner

Primary Examiner — Freda S Nunn
(74) *Attorney, Agent, or Firm* — F. Chau & Associates, LLC

(57) **CLAIM**

The ornamental design for a network equipment rack, as shown and described.

DESCRIPTION

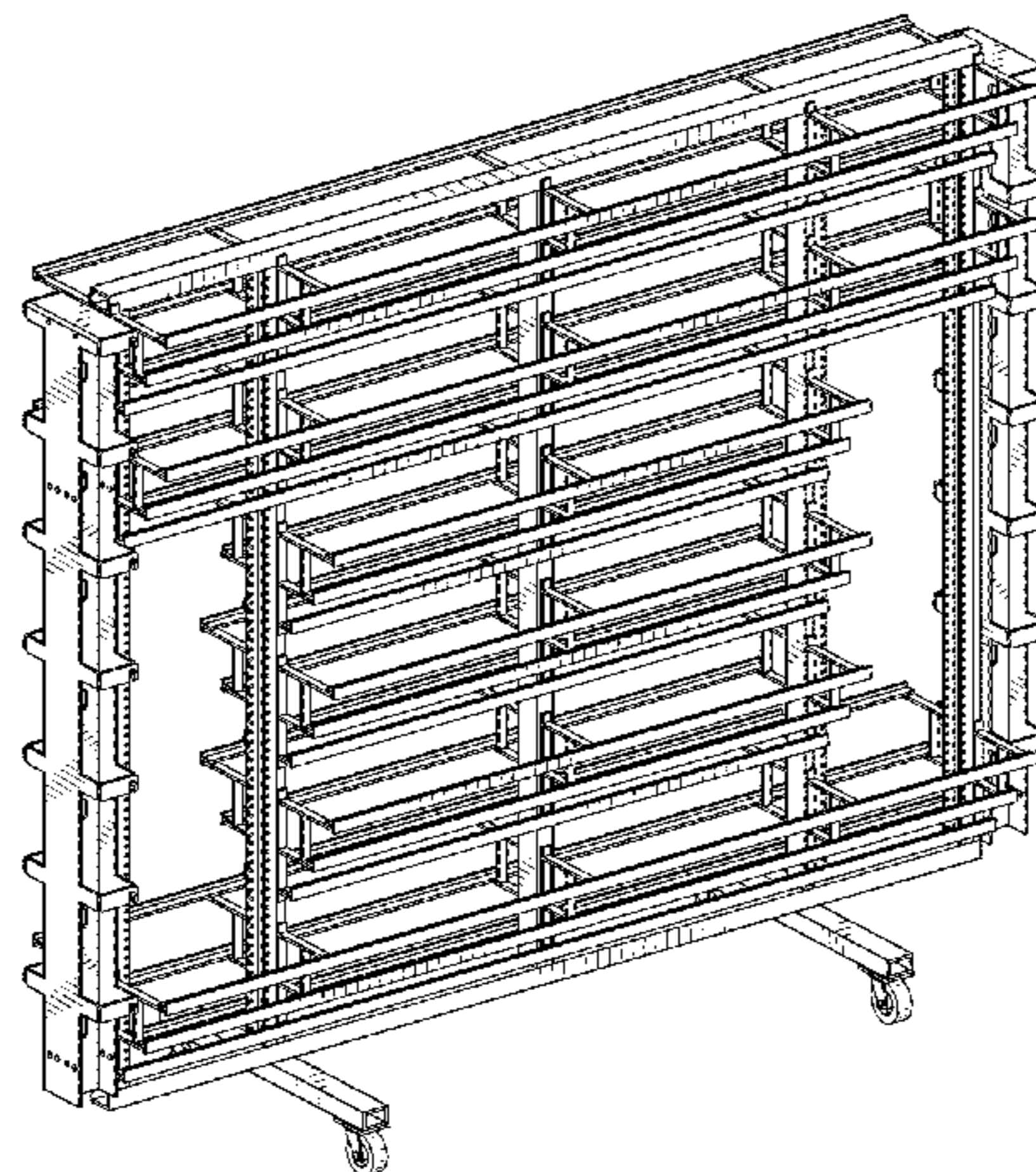
FIG. 1 is a front perspective view of a network equipment rack showing our new design;
FIG. 2 is a rear perspective view thereof;
FIG. 3 is a top plan view thereof;
FIG. 4 is a bottom plan view thereof;
FIG. 5 is a right side view thereof; and,
FIG. 6 is a front view thereof.
The left side view of the network equipment rack is a mirror image of the right side view thereof.

1 Claim, 5 Drawing Sheets

(56) **References Cited**

U.S. PATENT DOCUMENTS

- 3,905,483 A * 9/1975 Patrick A47F 5/10 211/190
- 4,742,477 A * 5/1988 Phillips H05K 7/1429 361/679.32



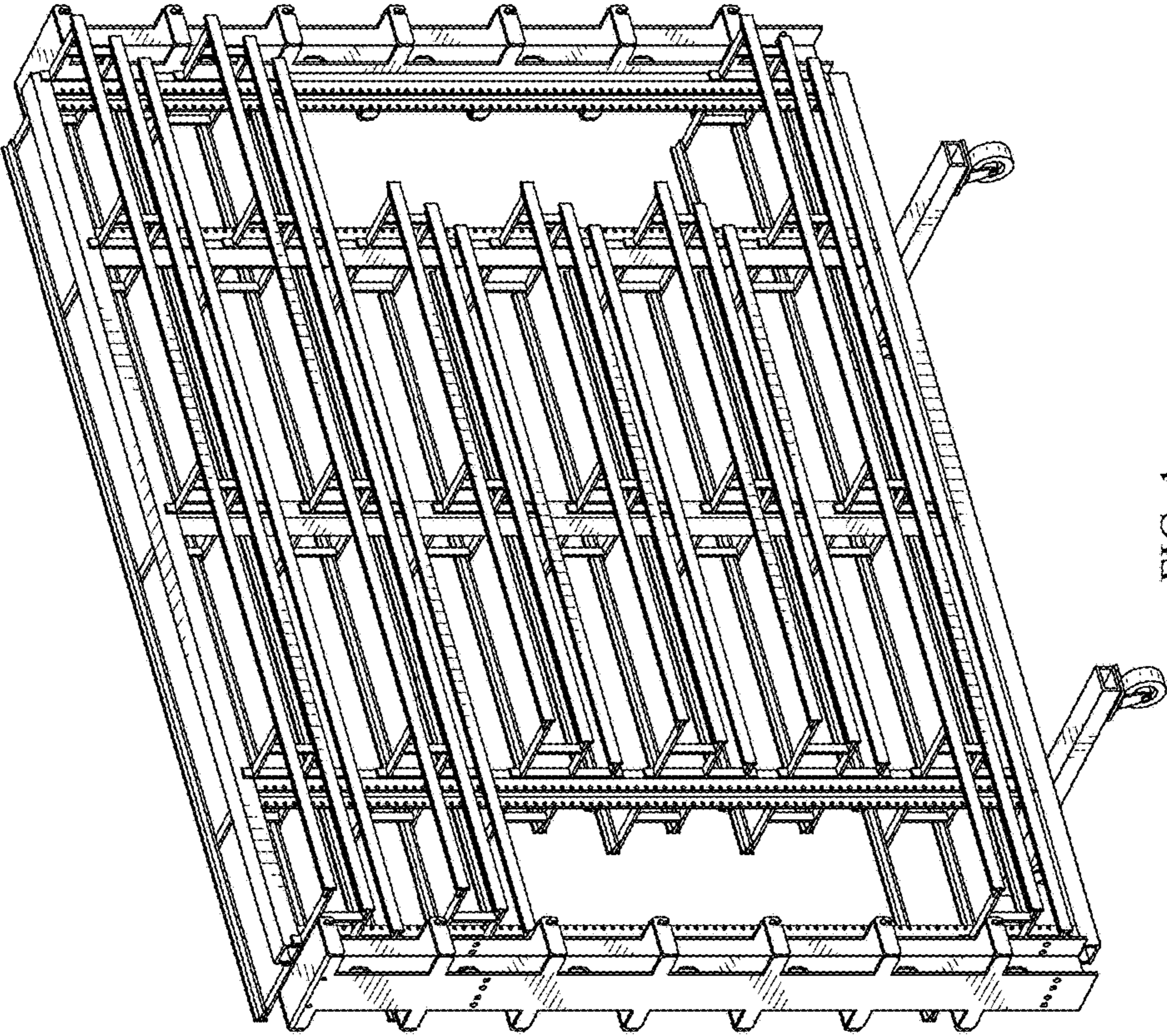


FIG. 1

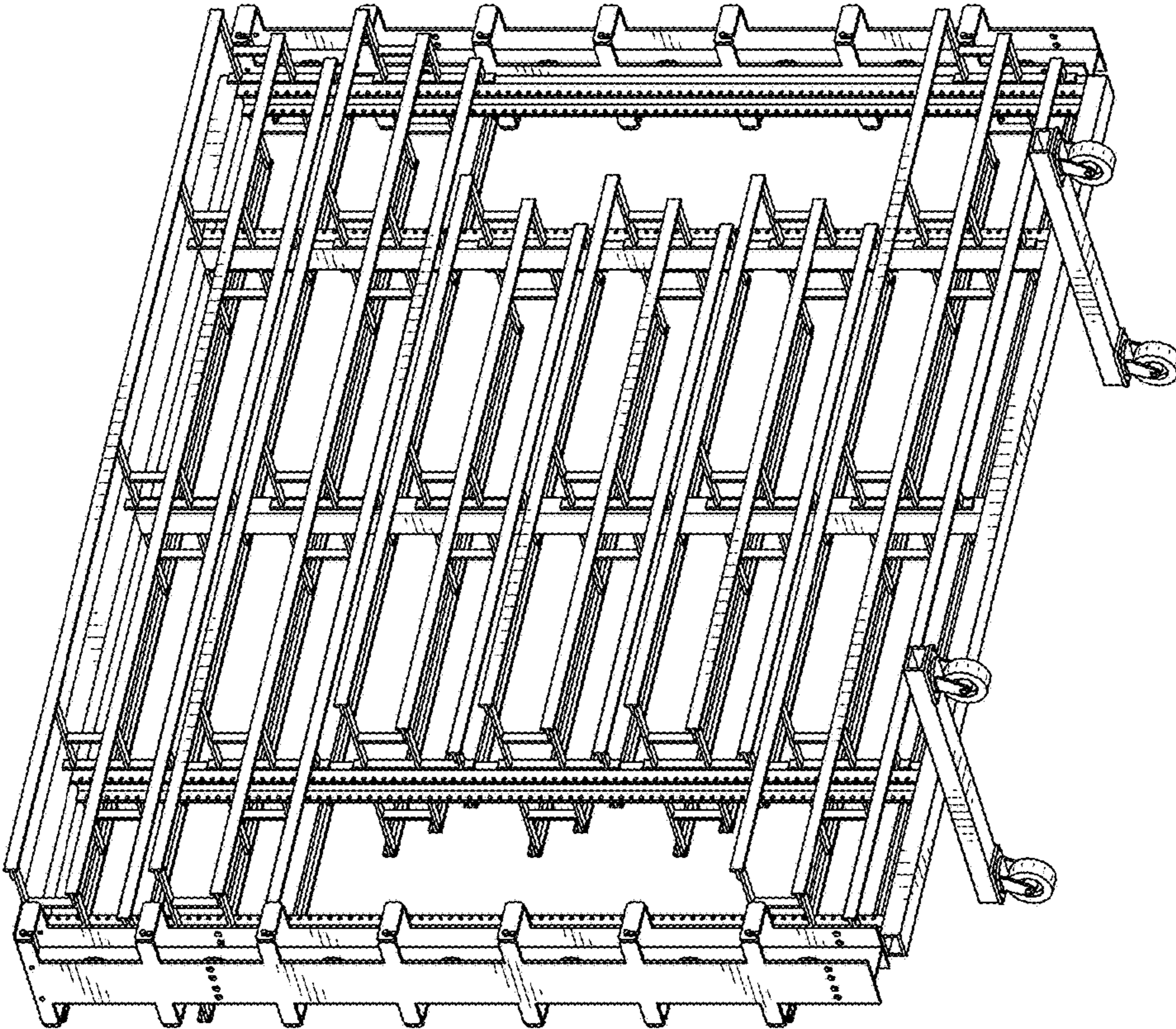


FIG. 2

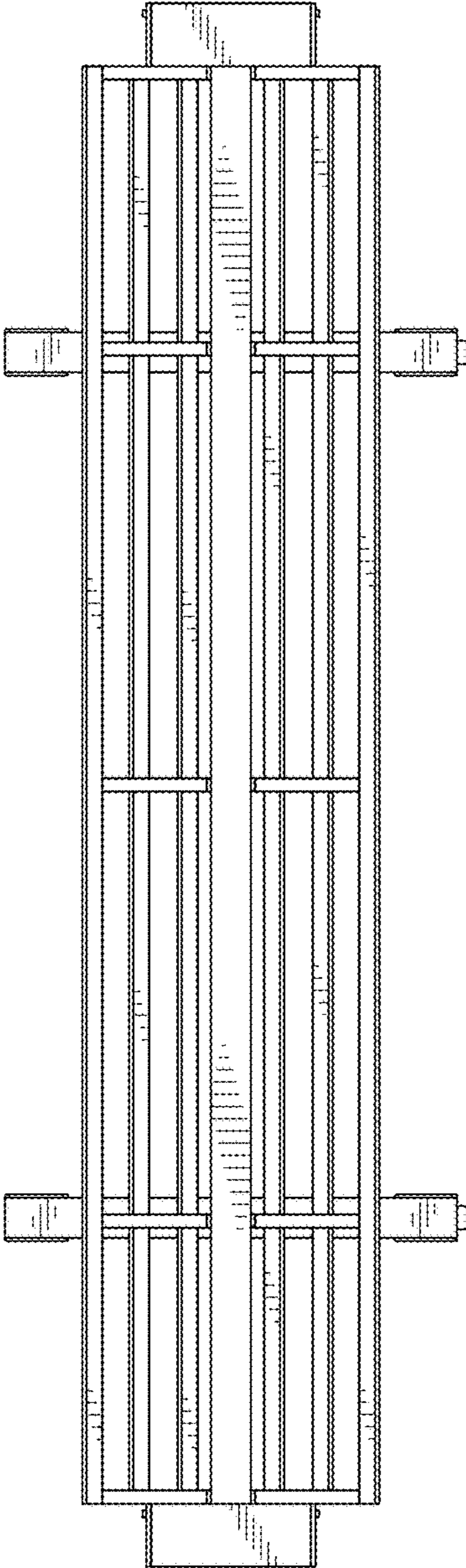


FIG. 3

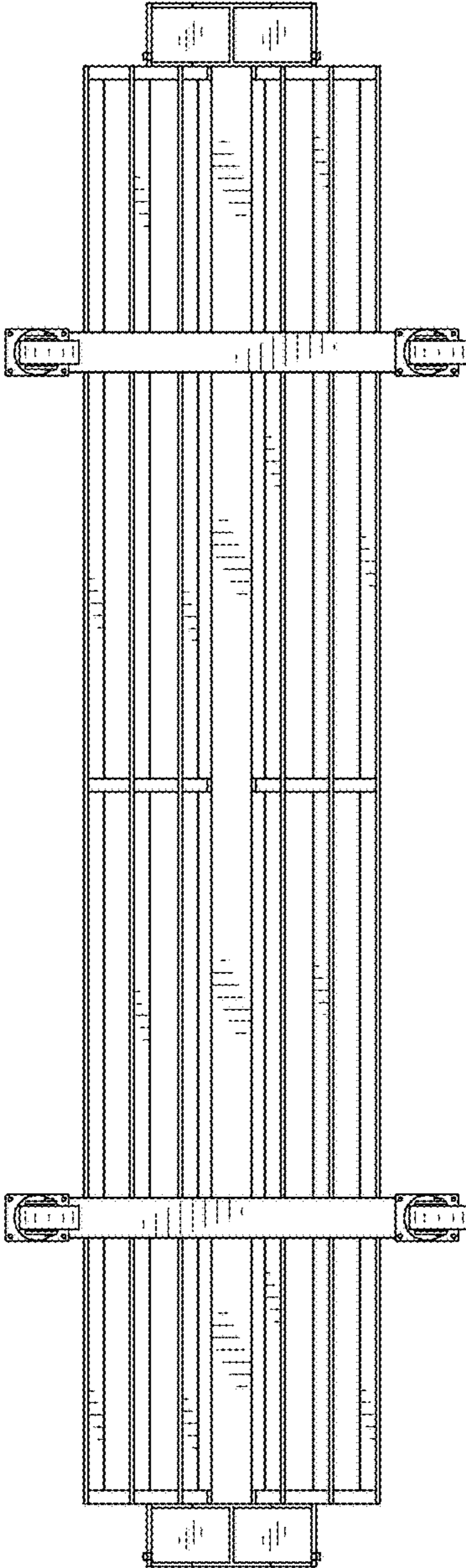


FIG. 4

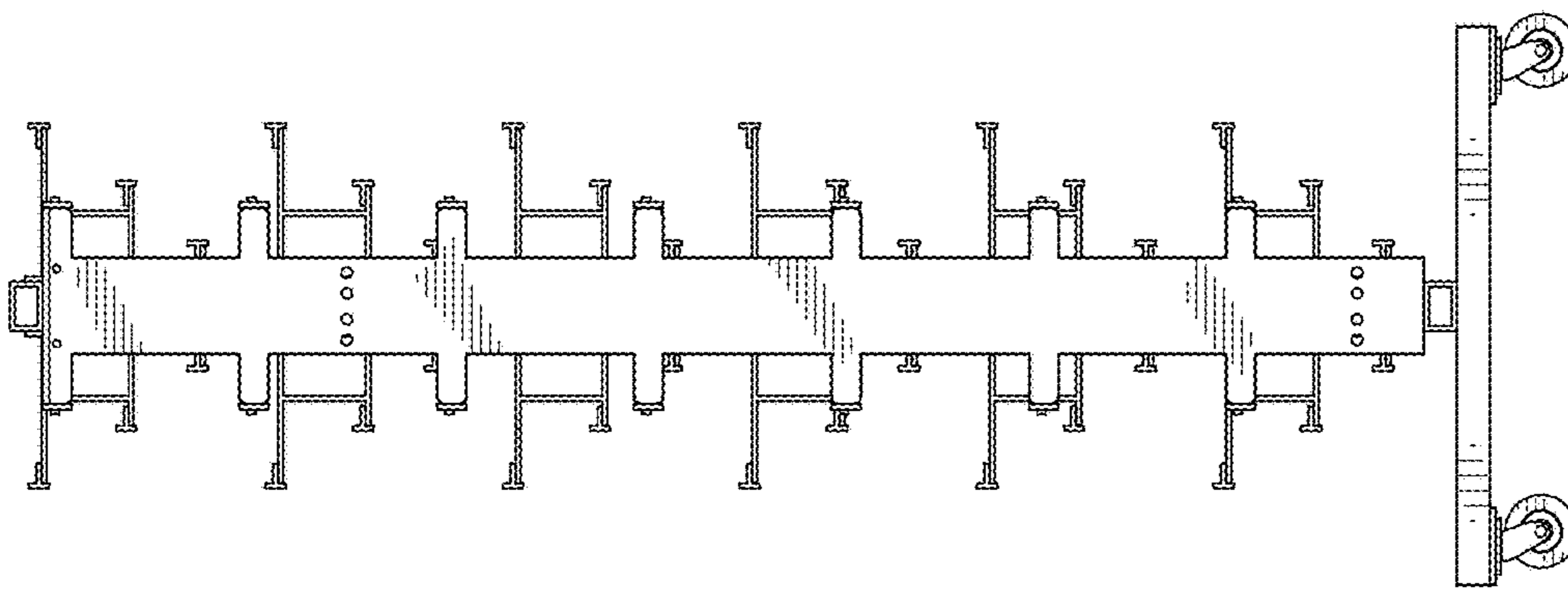


FIG. 5

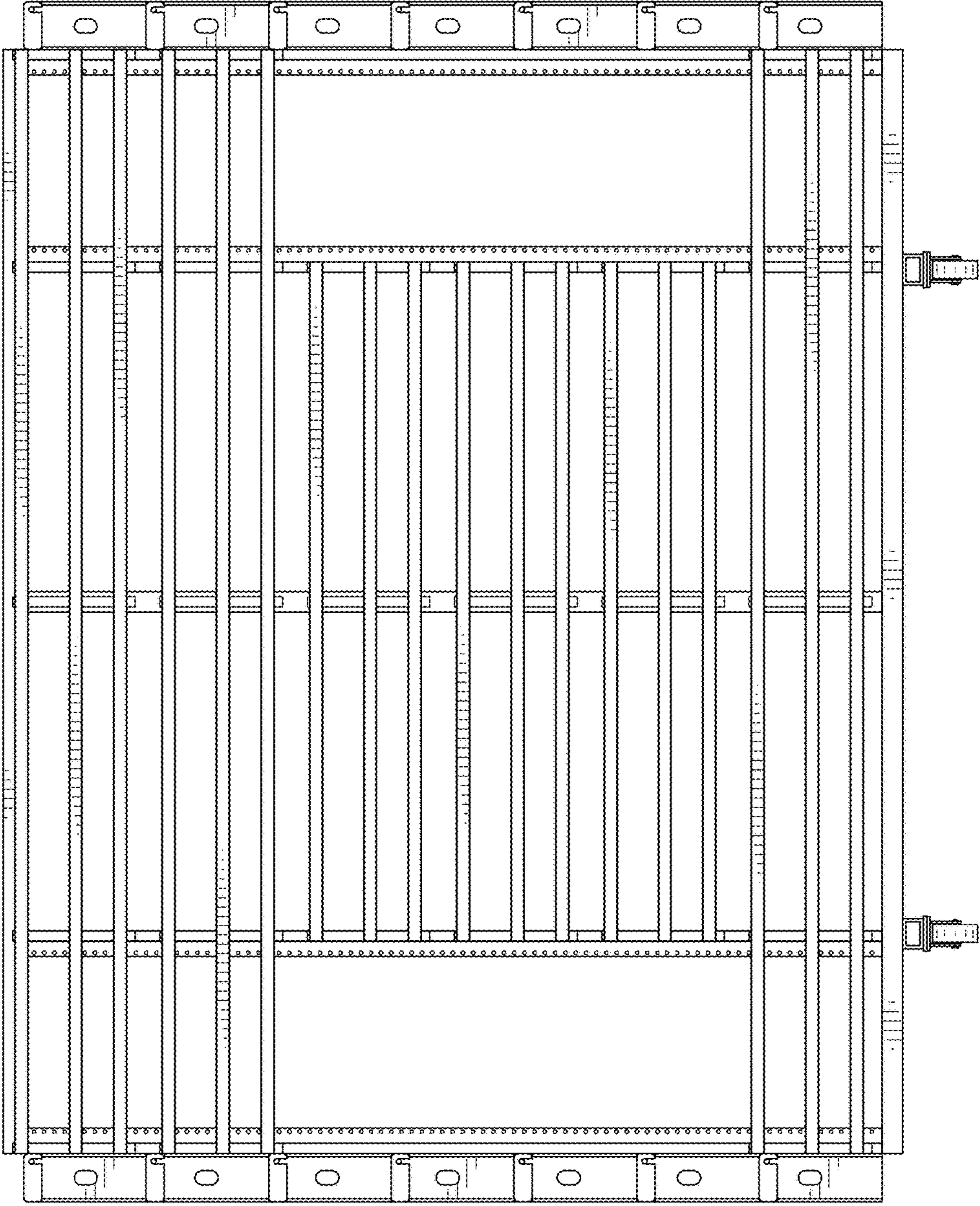


FIG. 6