



US00D835093S

(12) **United States Design Patent**  
**Lowenstein et al.**

(10) **Patent No.:** **US D835,093 S**  
(45) **Date of Patent:** **\*\* Dec. 4, 2018**

(54) **INTERACTIVE DEVICE FOR A USER**

(71) Applicant: **Gamblit Gaming, LLC**, Glendale, CA (US)

(72) Inventors: **Darion Lowenstein**, Los Angeles, CA (US); **Wayne Loynes**, Altadena, CA (US); **Eric Meyerhofer**, Pasadena, CA (US); **Eric Sanchez**, Monrovia, CA (US); **Milton Sharp**, Los Angeles, CA (US)

(73) Assignee: **Gamblit Gaming, LLC**, Glendale, CA (US)

(\*\*) Term: **15 Years**

(21) Appl. No.: **29/598,174**

(22) Filed: **Mar. 23, 2017**

(51) **LOC (11) Cl.** ..... **14-02**

(52) **U.S. Cl.**  
USPC ..... **D14/307**

(58) **Field of Classification Search**  
USPC ..... D14/302-307, 900-902; D13/163;  
D20/10; D21/332, 325, 369, 370;  
(Continued)

(56) **References Cited**

U.S. PATENT DOCUMENTS

D705,213 S \* 5/2014 Smith ..... D14/307  
D707,674 S \* 6/2014 Daniel ..... D14/307  
(Continued)

*Primary Examiner* — Austin Murphy  
(74) *Attorney, Agent, or Firm* — Caitlyn Ross

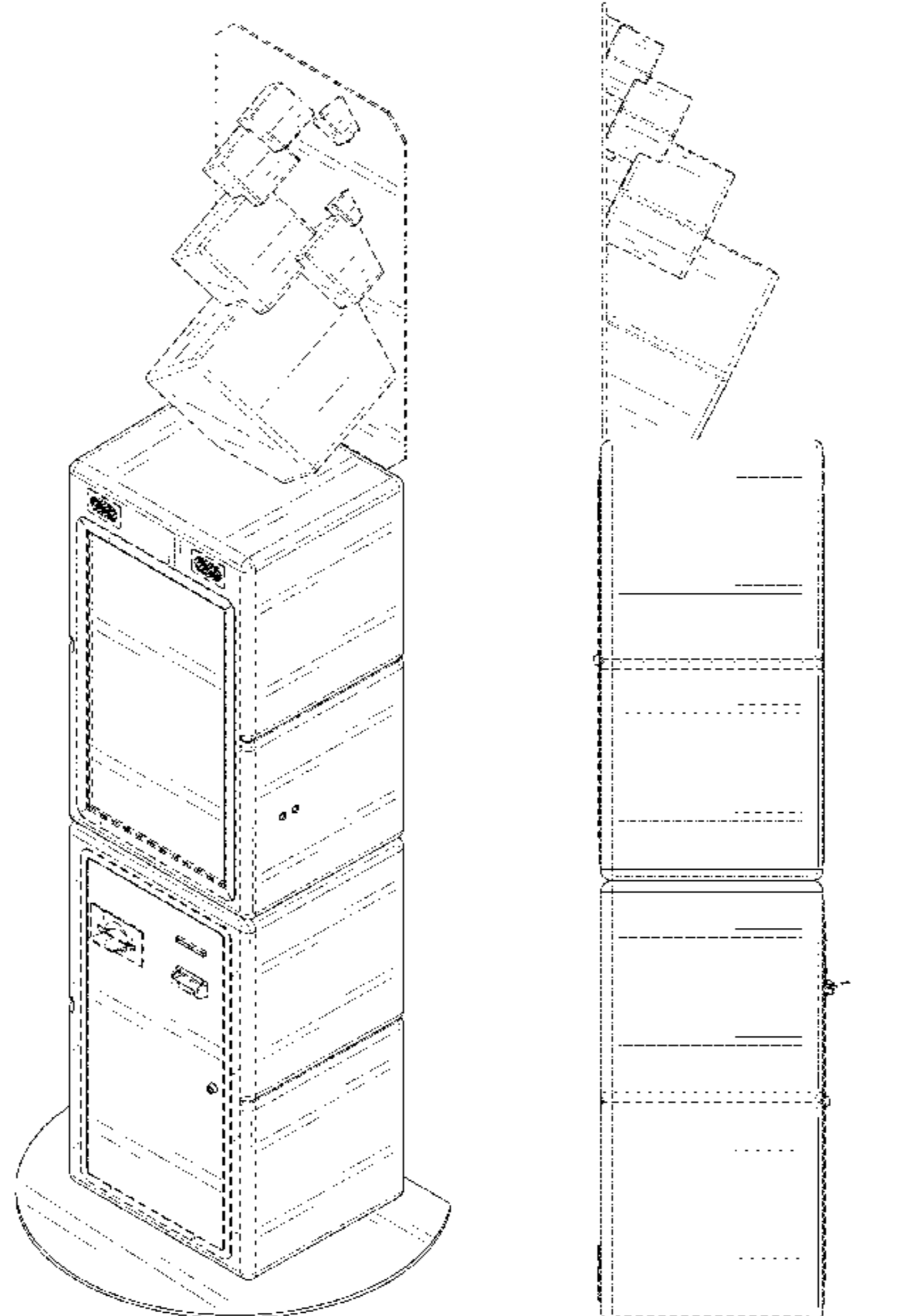
(57) **CLAIM**

The ornamental design for an interactive device for a user, as shown and described.

**DESCRIPTION**

FIG. 1 is an elevated front perspective view of a first embodiment of an interactive device for a user, showing our new design;  
FIG. 2 is a front view of the first embodiment of an interactive device for a user, showing our new design;  
FIG. 3 is a back view of the first embodiment of an interactive device for a user, showing our new design;  
FIG. 4 is a side perspective view of the first embodiment of an interactive device for a user, showing our new design;  
FIG. 5 is another side perspective view of the first embodiment of an interactive device for a user, showing our new design;  
FIG. 6 is a top view of the first embodiment of an interactive device for a user, showing our new design;  
FIG. 7 is a bottom view of the first embodiment of an interactive device for a user, showing our new design;  
FIG. 8 is an elevated front perspective view of a second embodiment of an interactive device for a user, showing our new design;  
FIG. 9 is a front view of the second embodiment of an interactive device for a user, showing our new design;  
FIG. 10 is a back view of the second embodiment of an interactive device for a user, showing our new design;  
FIG. 11 is a side perspective view of the second embodiment of an interactive device for a user, showing our new design;  
FIG. 12 is another side perspective view of the second embodiment of an interactive device for a user, showing our new design;  
FIG. 13 is a top view of the second embodiment of an interactive device for a user, showing our new design; and, FIG. 14 is a bottom view of the second embodiment of an interactive device for a user, showing our new design.  
The broken lines in the FIGS show portions of the interactive device for a user for illustrative purposes only and form no part of the claimed design.

**1 Claim, 14 Drawing Sheets**



(58) **Field of Classification Search**

USPC ..... D99/28; D6/397, 466; 194/206;  
361/679.01, 679.02, 679.04, 679.21,  
361/679.57, 725  
CPC ..... G06Q 20/18; G06Q 20/10; G06Q 20/123;  
G06Q 20/20; G06Q 30/02; G06Q 30/06;  
A47F 9/047

See application file for complete search history.

(56) **References Cited**

U.S. PATENT DOCUMENTS

D727,308 S \* 4/2015 Kraft ..... D14/307  
D732,520 S \* 6/2015 Themann ..... D14/307  
D751,061 S \* 3/2016 Berini ..... D14/307  
D762,635 S \* 8/2016 Szeredi ..... D14/307  
D767,559 S \* 9/2016 Pfeiffer ..... D14/307  
D769,864 S \* 10/2016 Hoffmann ..... D14/307  
D774,029 S \* 12/2016 Kim ..... D14/307  
D778,276 S \* 2/2017 Berini ..... D14/307  
D781,843 S \* 3/2017 Horn, II ..... D14/307  
D782,467 S \* 3/2017 Bladwell ..... D14/307  
D783,596 S \* 4/2017 Payne ..... D14/307  
D788,098 S \* 5/2017 Thornton ..... D14/307  
D792,388 S \* 7/2017 Taylor ..... D14/307  
D799,470 S \* 10/2017 Brown ..... D14/307  
D799,471 S \* 10/2017 Brown ..... D14/307  
D800,715 S \* 10/2017 Kane ..... D14/307  
D805,065 S \* 12/2017 Taylor ..... D14/307  
D811,381 S \* 2/2018 Morohoshi ..... D14/307  
D813,223 S \* 3/2018 Munro ..... D14/307

\* cited by examiner

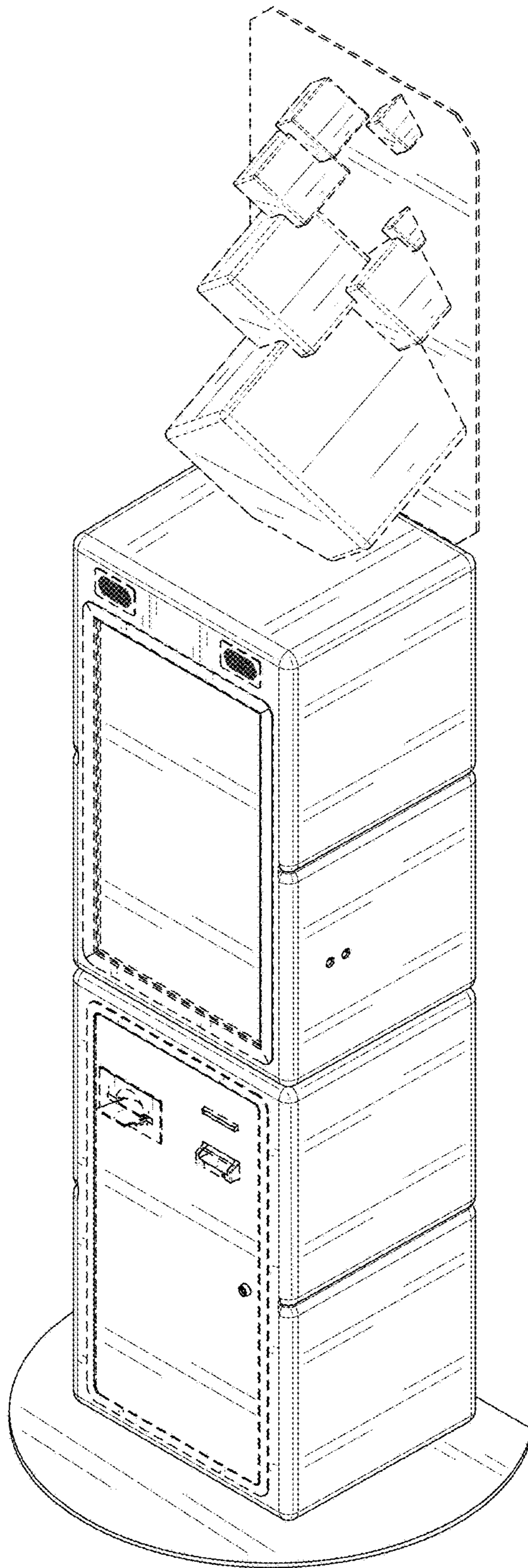


FIG. 1

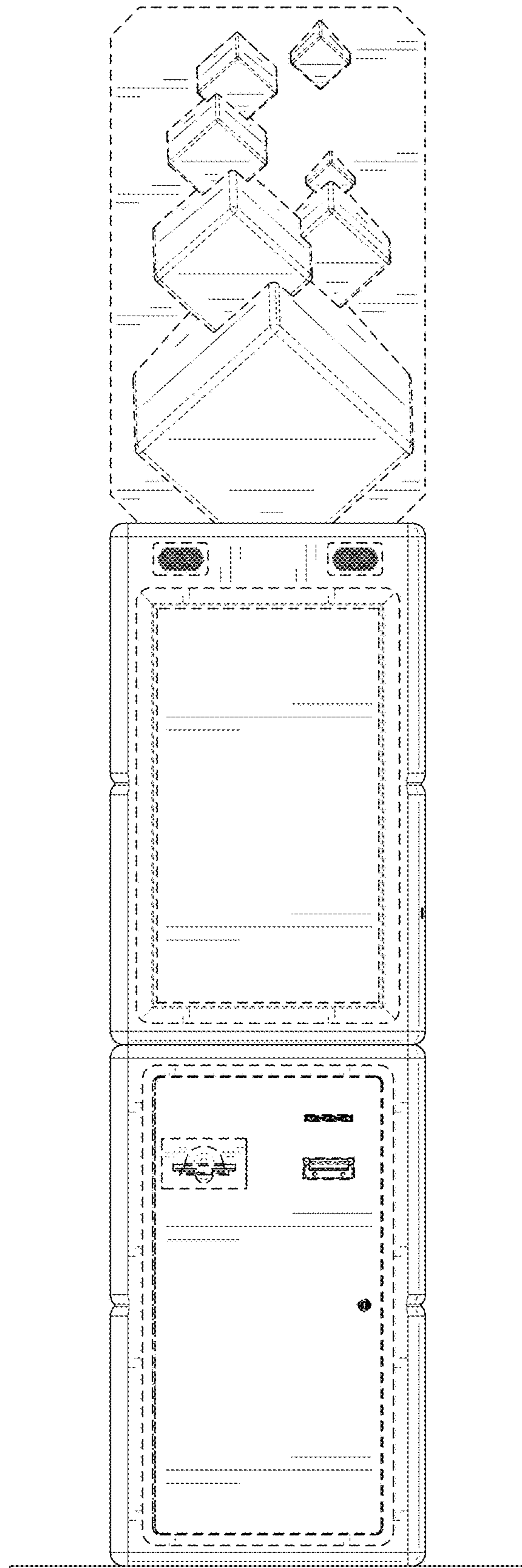


FIG. 2

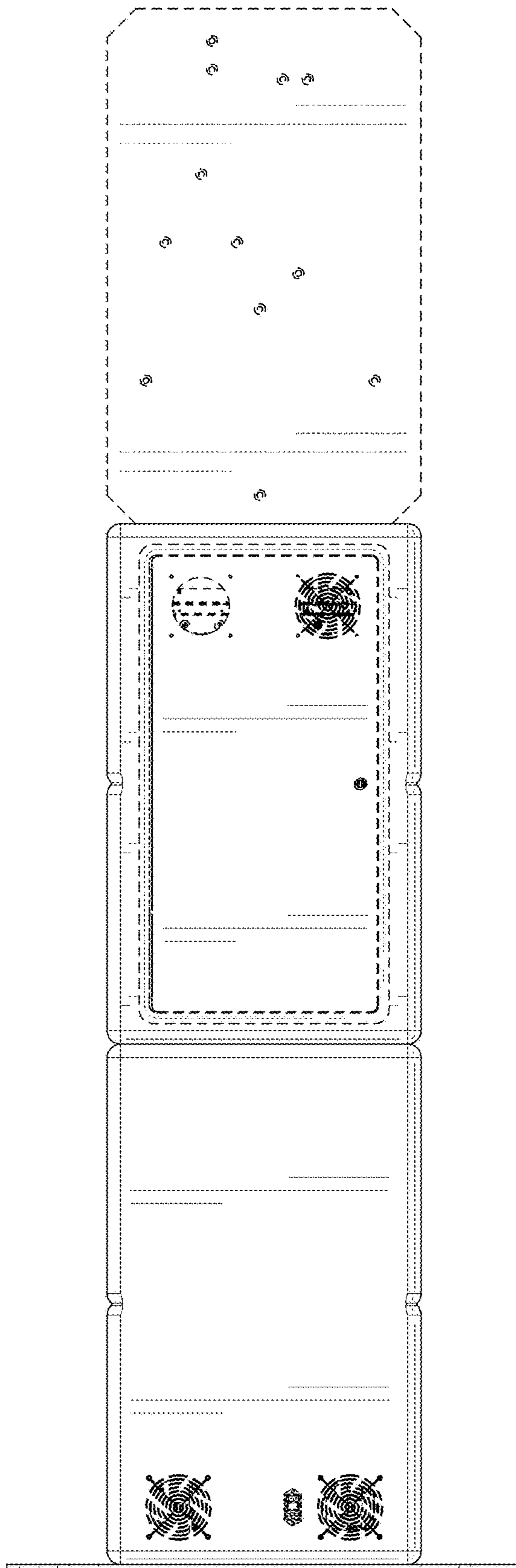


FIG. 3

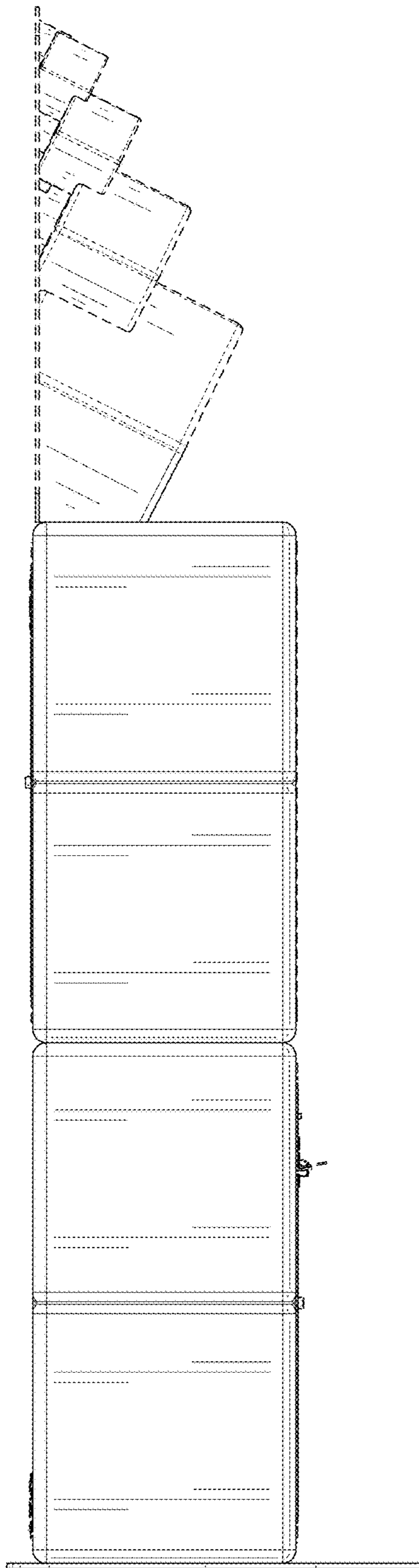


FIG. 4

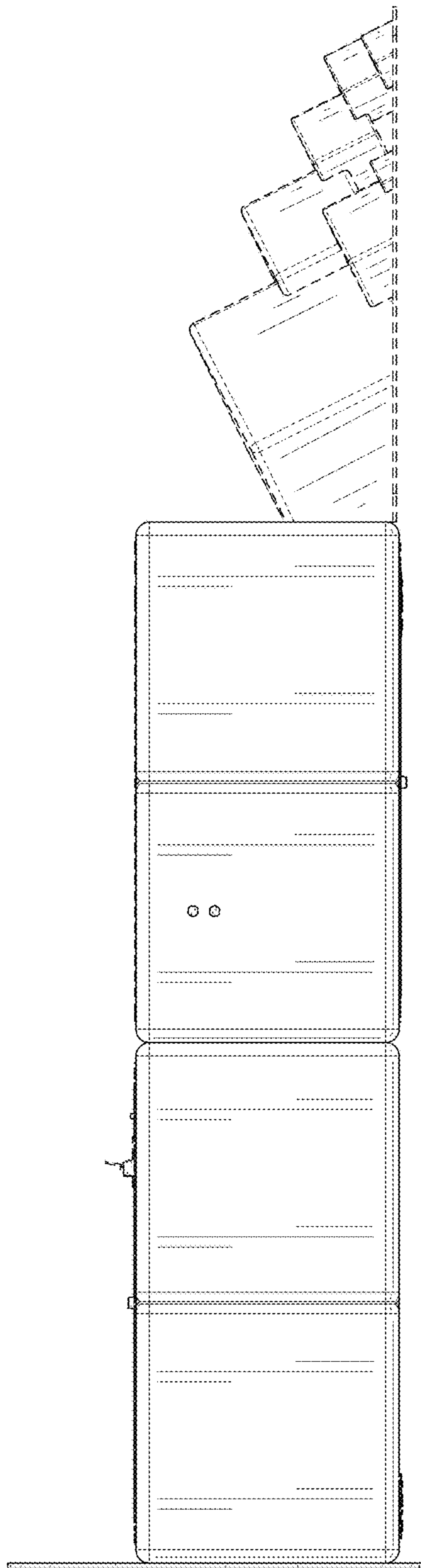


FIG. 5

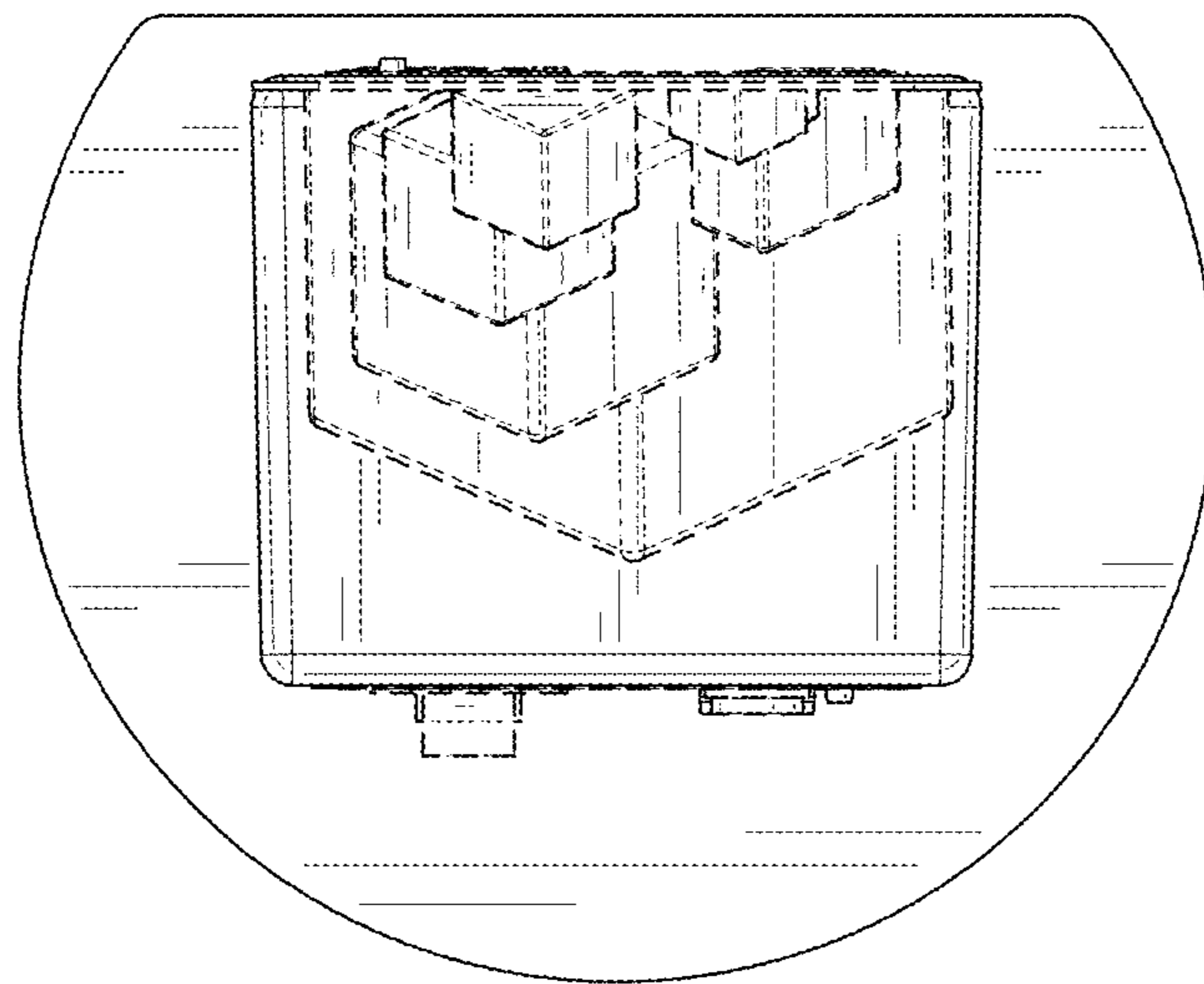


FIG. 6



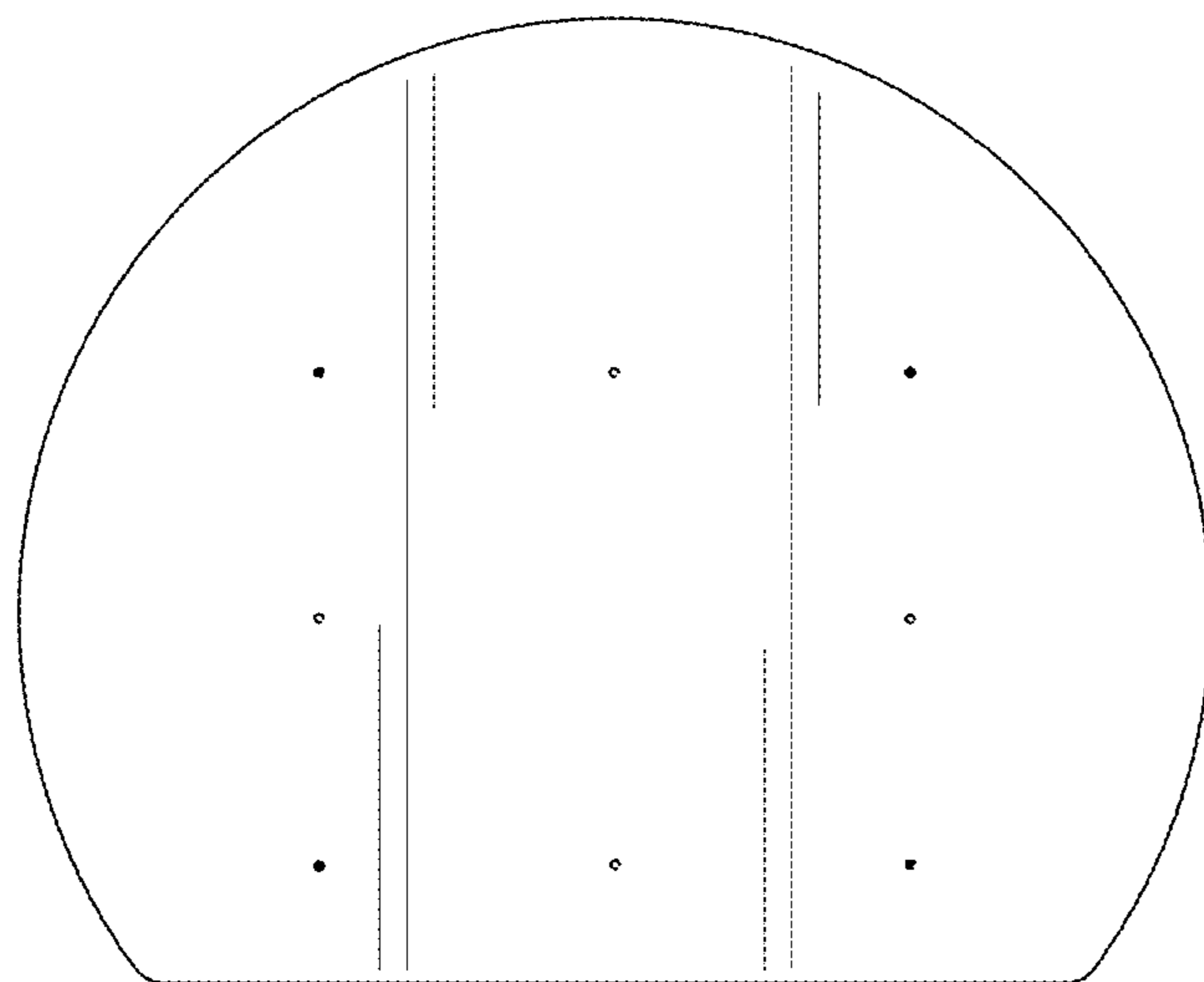


FIG. 7

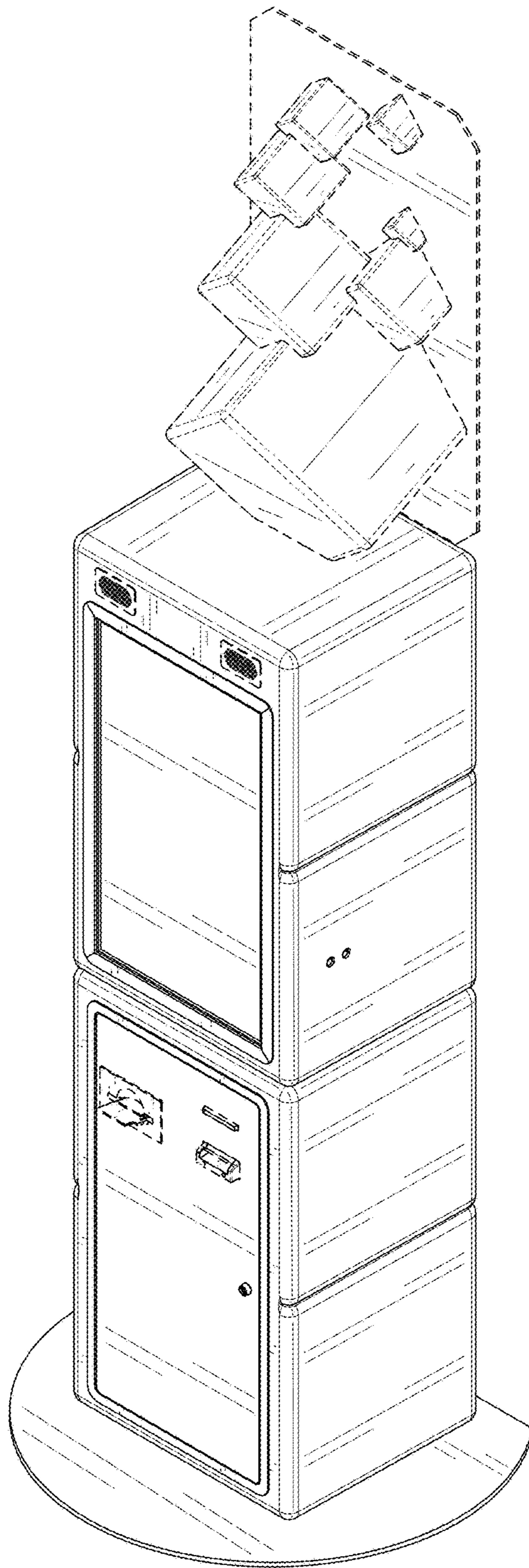


FIG. 8

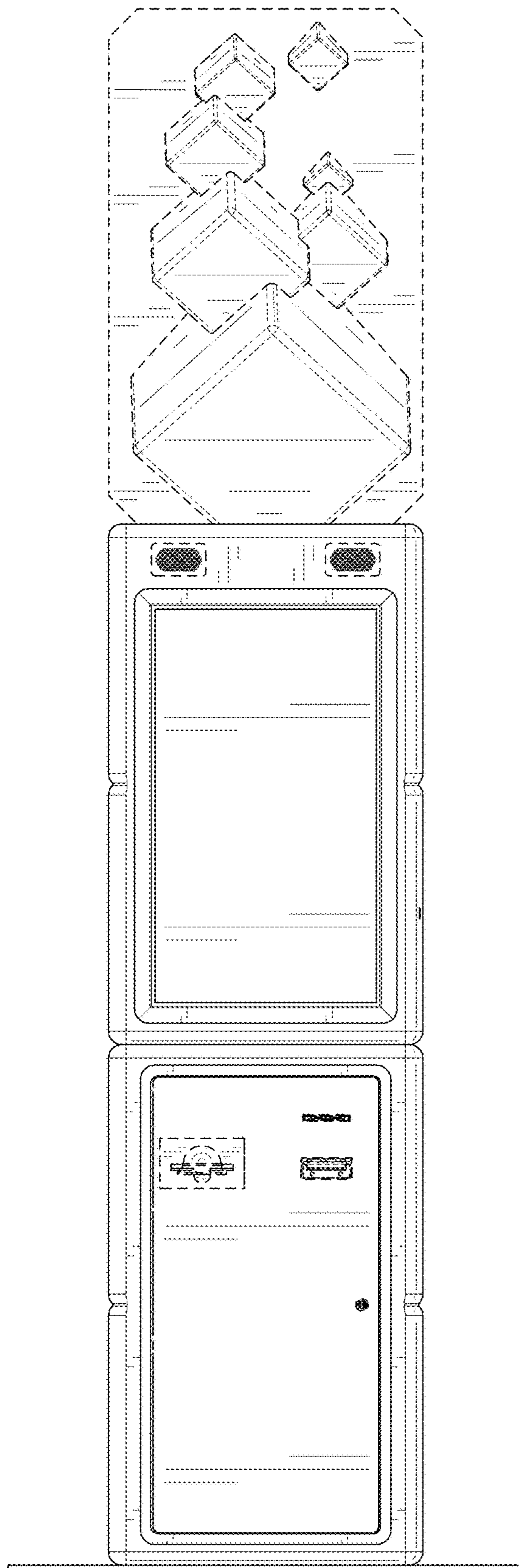


FIG. 9

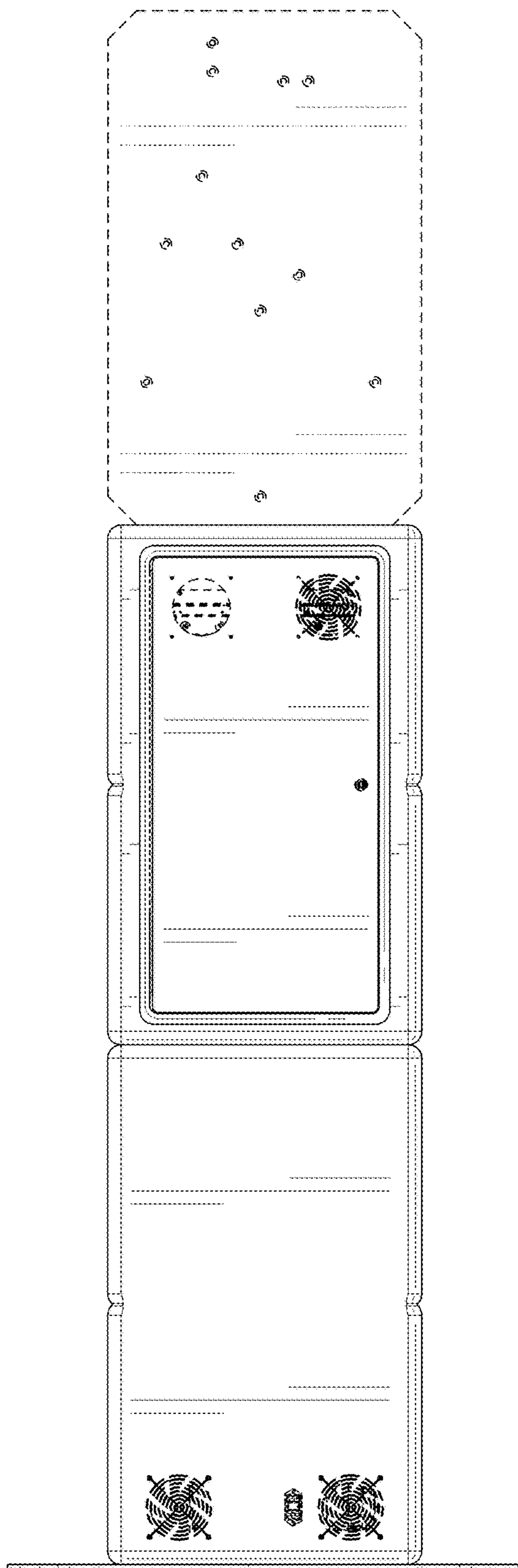


FIG. 10

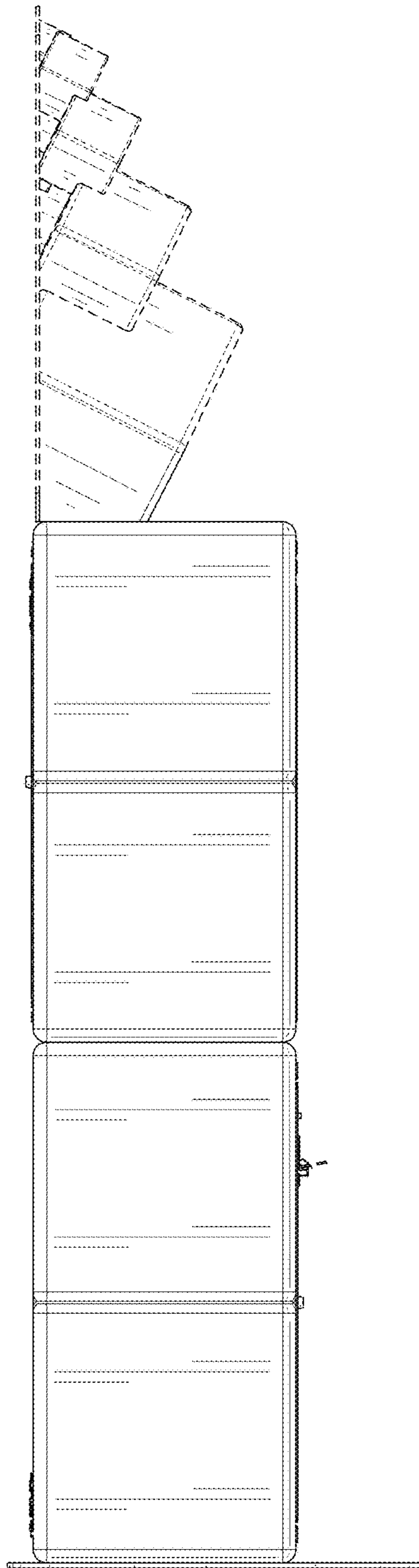


FIG. 11

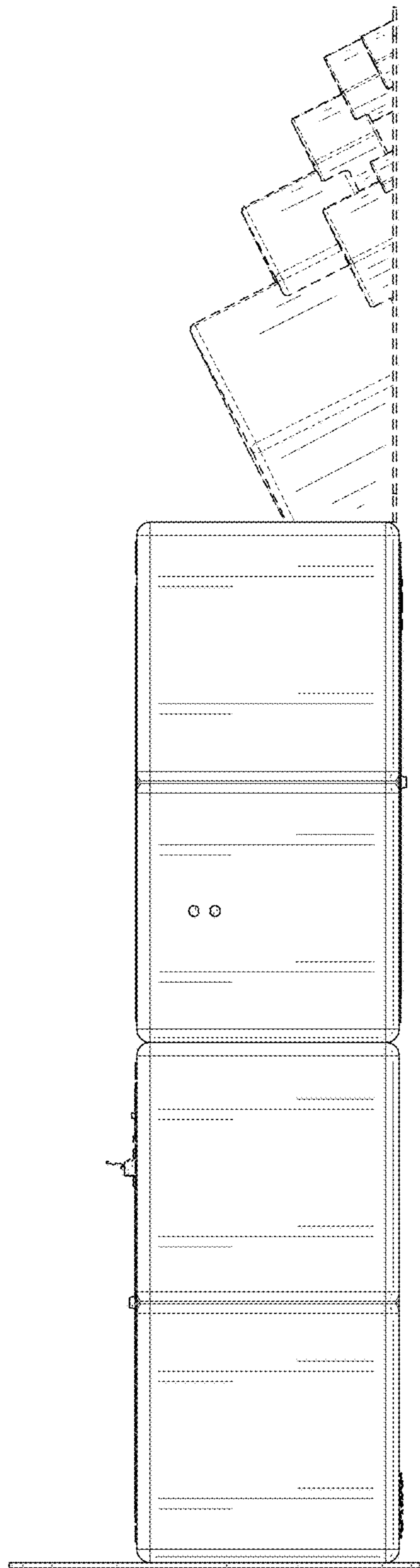


FIG. 12

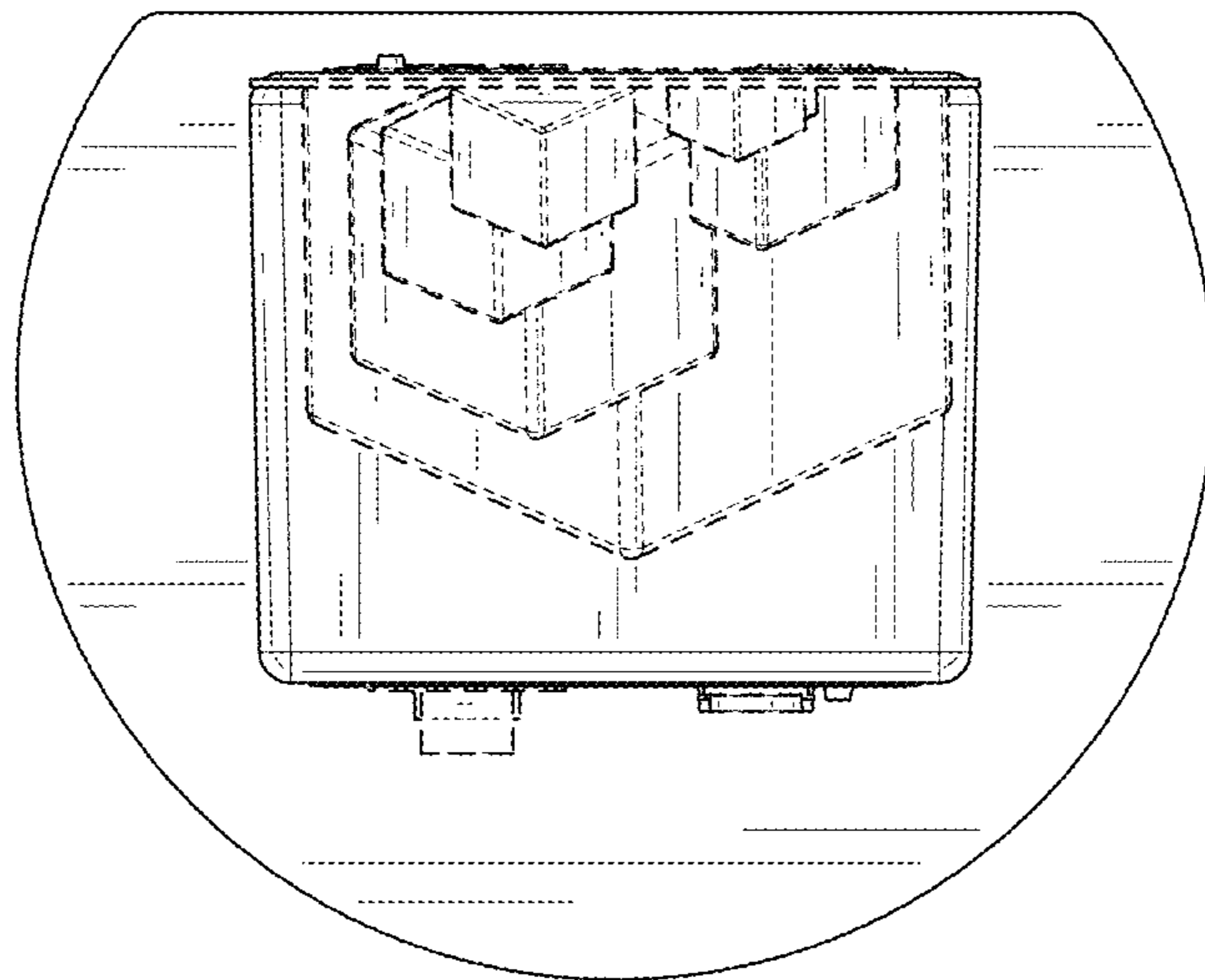


FIG. 13

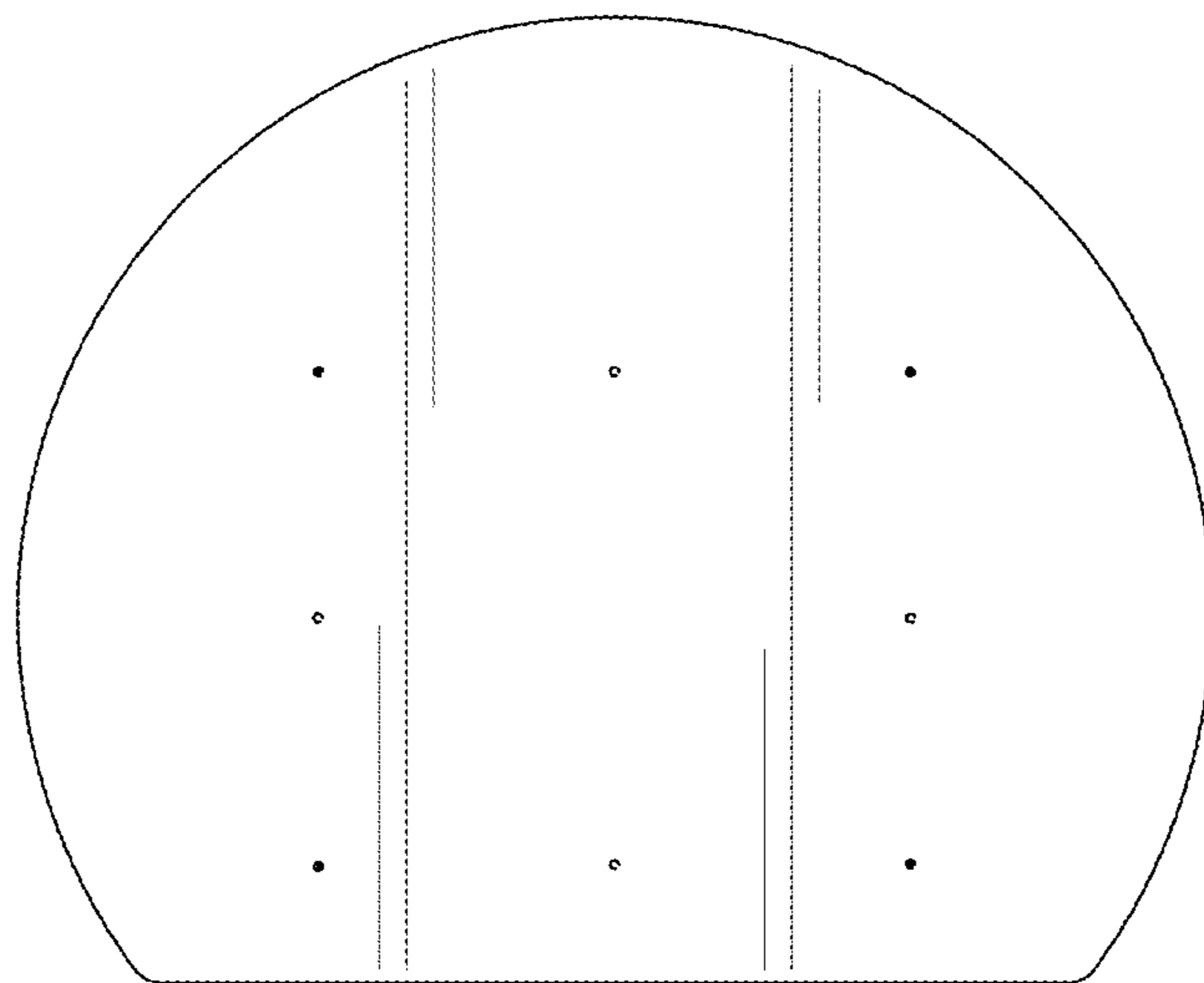


FIG. 14