

US00D835091S

(12) **United States Design Patent**
Torrance

(10) **Patent No.:** **US D835,091 S**

(45) **Date of Patent:** **** Dec. 4, 2018**

(54) **ACCESSORY FOR MOBILE ELECTRONIC DEVICE**

(71) Applicant: **PopSockets LLC**, Boulder, CO (US)

(72) Inventor: **Tony L. Torrance**, Boulder, CO (US)

(**) Term: **15 Years**

(21) Appl. No.: **29/593,912**

(22) Filed: **Feb. 14, 2017**

(51) **LOC (11) Cl.** **14-03**

(52) **U.S. Cl.**
USPC **D14/253**

(58) **Field of Classification Search**
USPC D14/432, 433, 358, 253, 250, 251
CPC H01M 10/44
See application file for complete search history.

(56) **References Cited**

U.S. PATENT DOCUMENTS

| | | | | |
|--------------|---------|----------|-------|--------|
| D520,739 S * | 5/2006 | Tsai | | D3/218 |
| D641,974 S * | 7/2011 | Stampfli | | D3/218 |
| D649,347 S * | 11/2011 | Smith | | D3/218 |
| D675,014 S * | 1/2013 | Adelman | | D3/218 |

| | | | | |
|--------------|---------|-------------|-------|---------|
| D685,991 S * | 7/2013 | Pearce | | D3/218 |
| D722,043 S * | 2/2015 | Requa | | D13/108 |
| D727,143 S * | 4/2015 | Gomez | | D14/251 |
| D742,114 S * | 11/2015 | Pearce | | D3/218 |
| D765,648 S * | 9/2016 | Starkenburg | | D12/415 |
| D776,916 S * | 1/2017 | Yeruva | | D14/253 |
| D779,478 S * | 2/2017 | Justiss | | D14/253 |
| D808,641 S * | 1/2018 | Clover | | D3/218 |
| D816,652 S * | 5/2018 | Chang | | D14/250 |

* cited by examiner

Primary Examiner — Cynthia R Underwood

(57) **CLAIM**

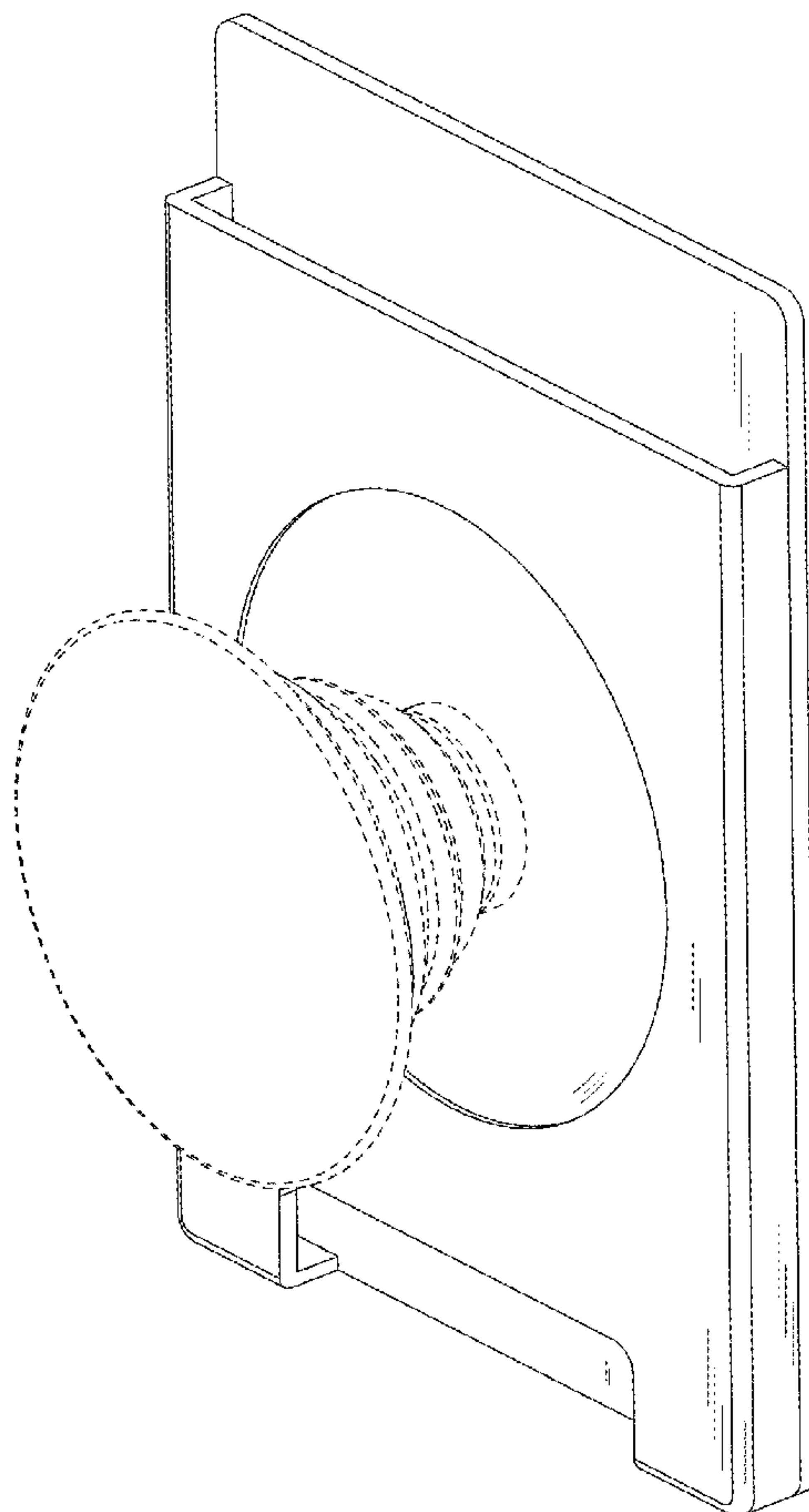
The ornamental design for an accessory for mobile electronic device, as shown and described.

DESCRIPTION

FIG. 1 is a front isometric view of an accessory for mobile electronic device showing our new design;
FIG. 2 is a front view thereof;
FIG. 3 is a rear view thereof;
FIG. 4 is a right view thereof;
FIG. 5 is a top view thereof; and,
FIG. 6 is a bottom view thereof.

The broken lines represent environment that form no part of the claim.

1 Claim, 5 Drawing Sheets



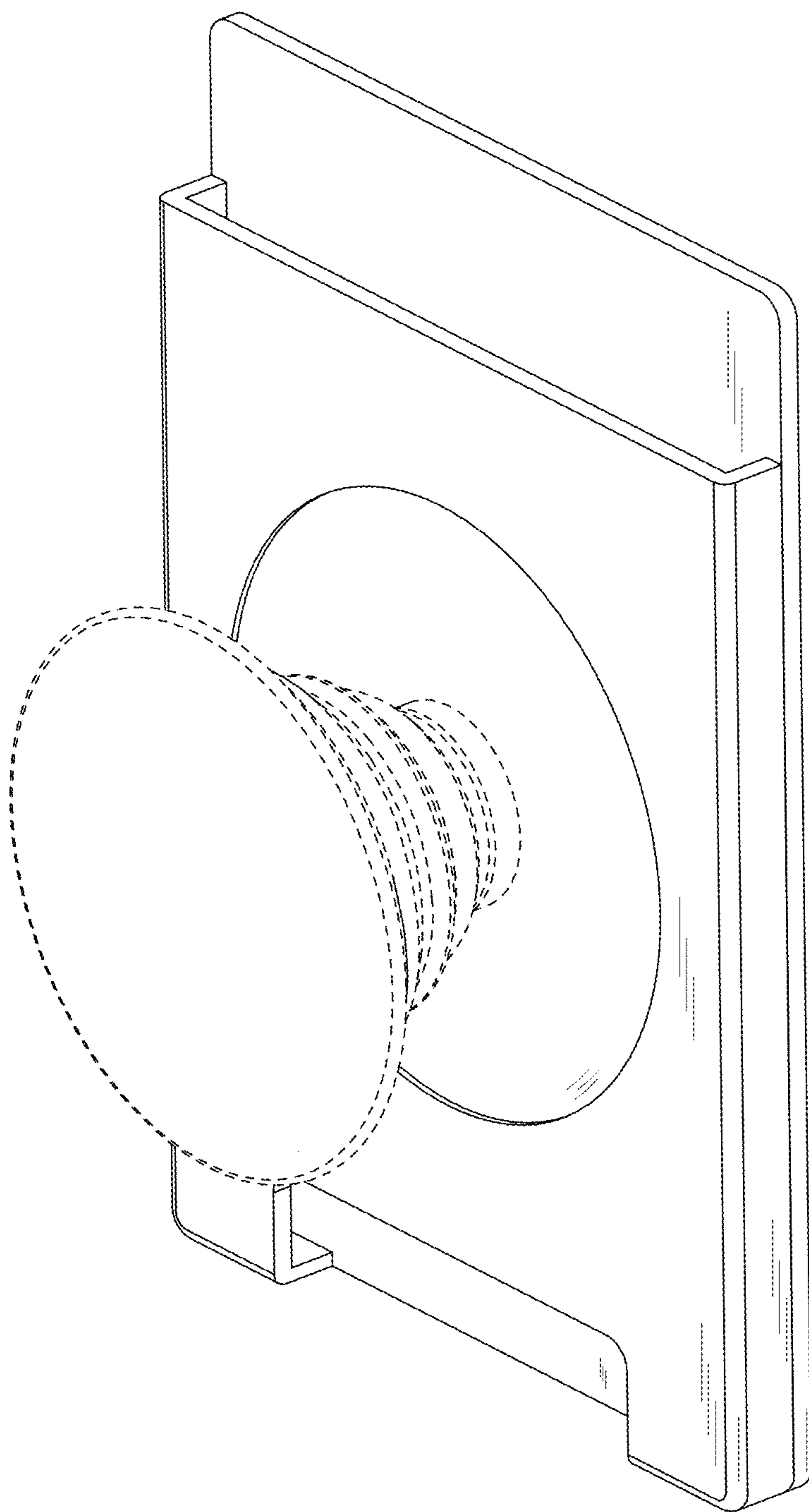


FIG. 1

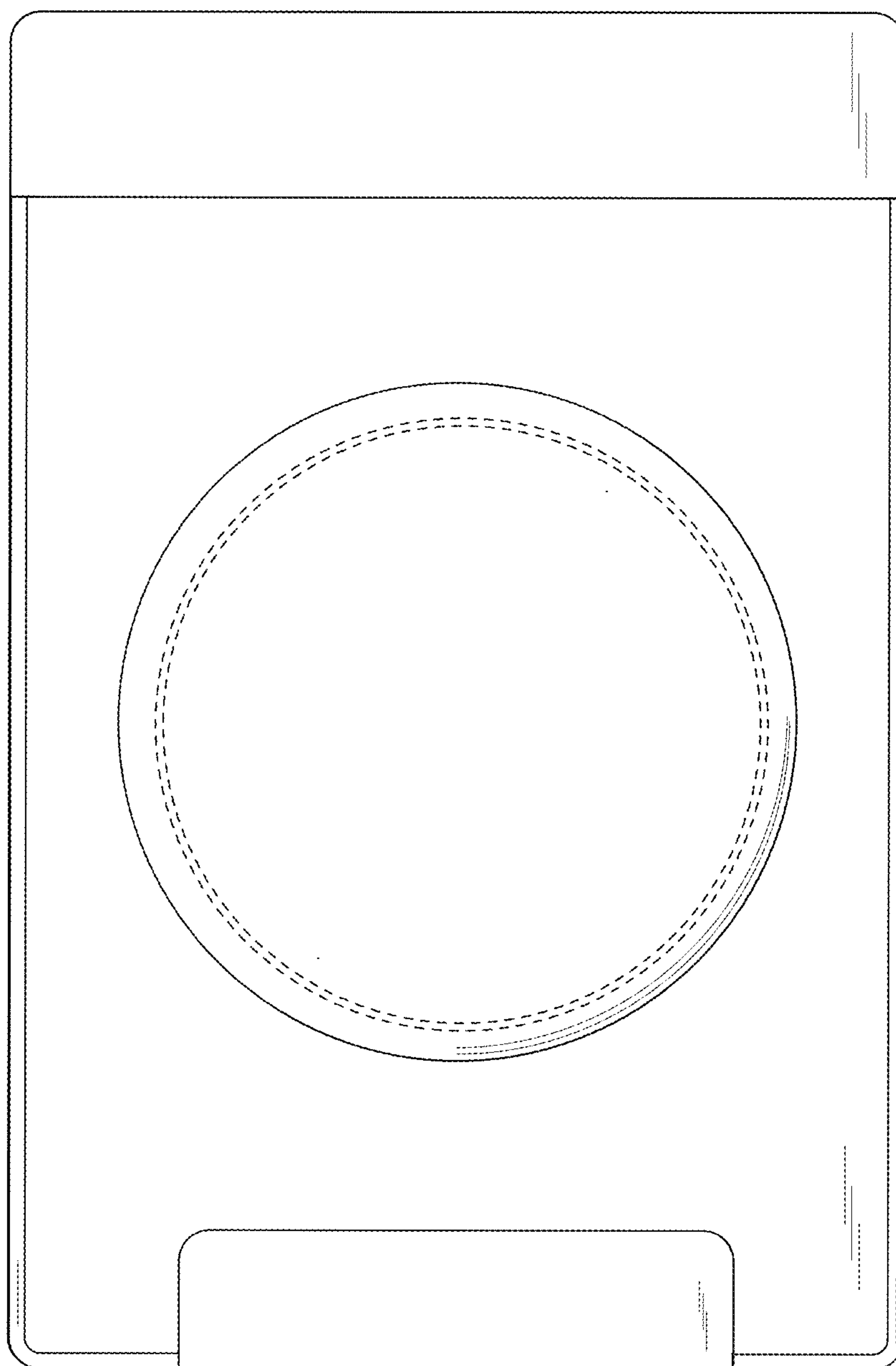


FIG. 2

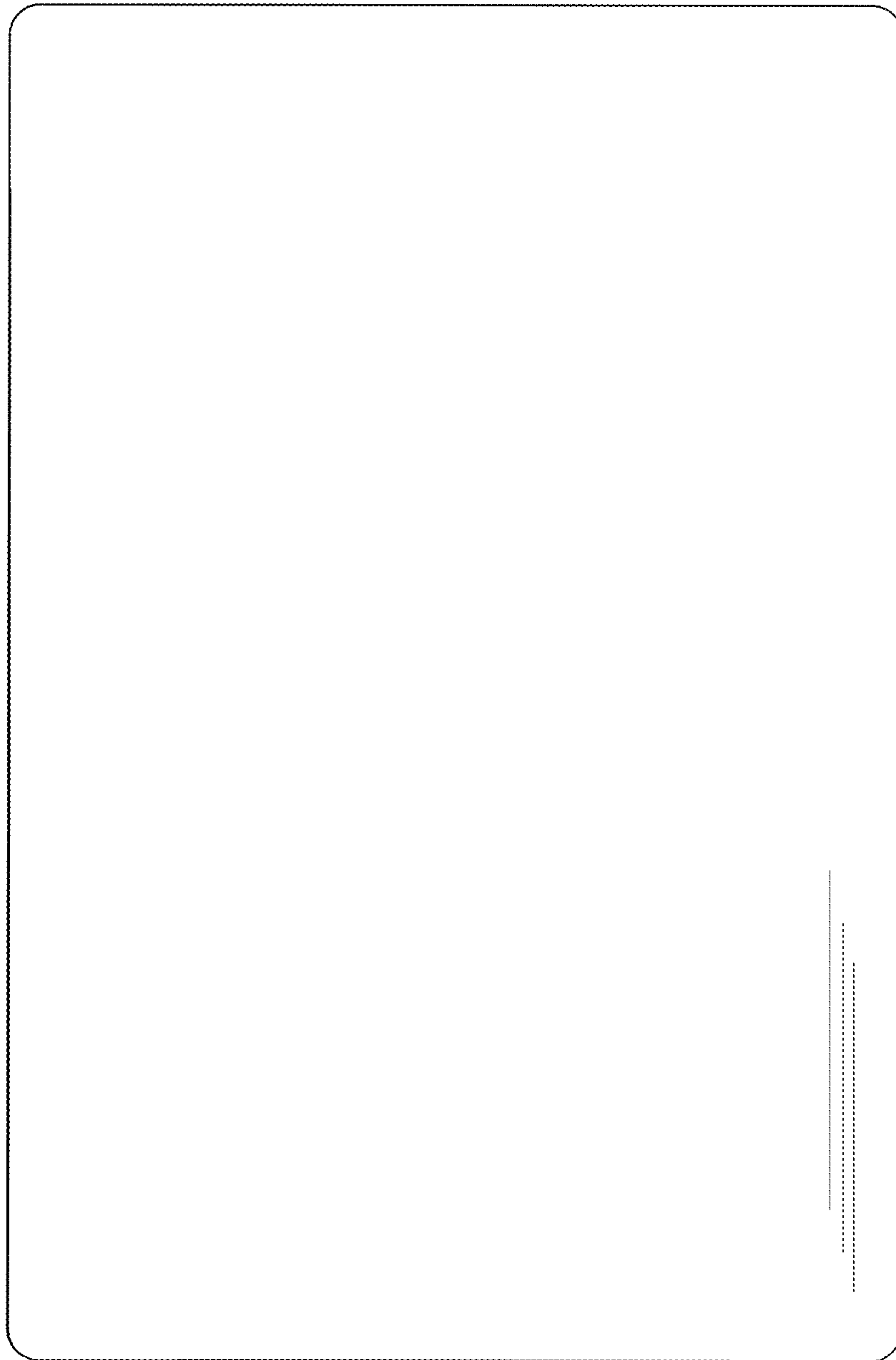


FIG. 3

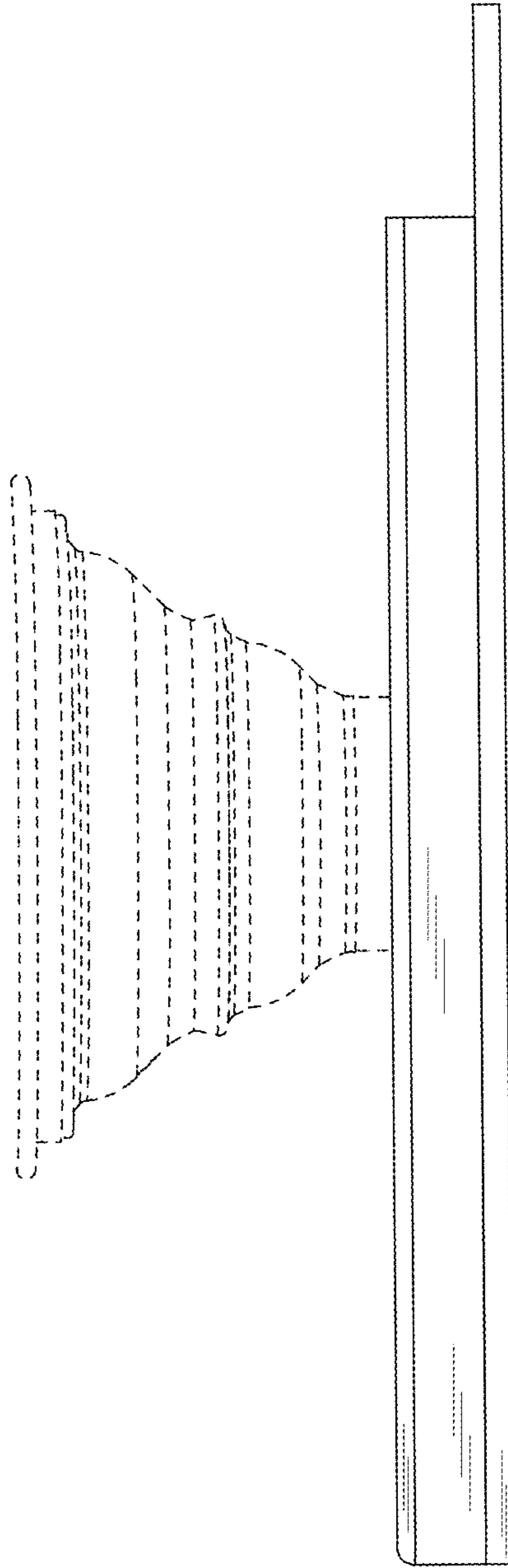


FIG. 4

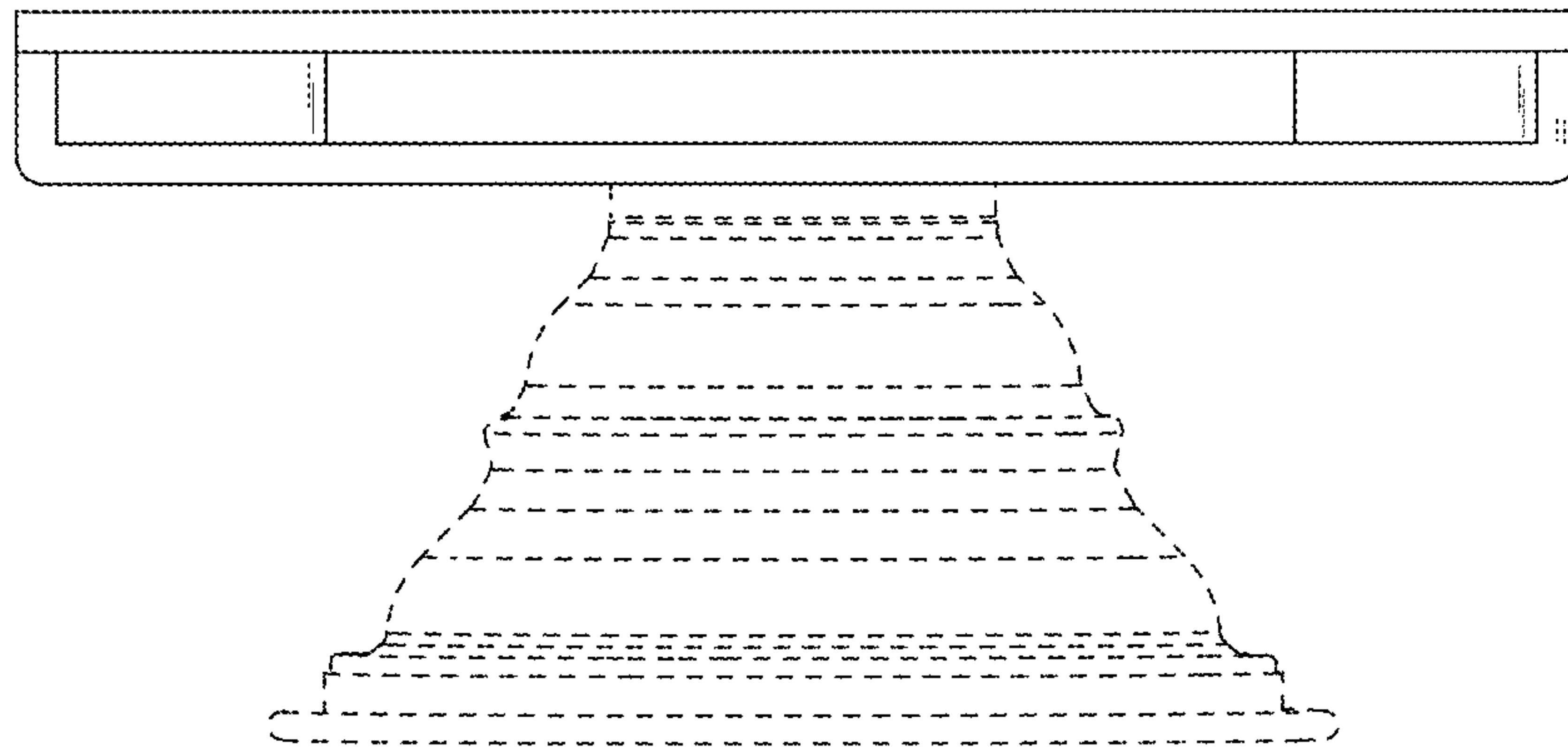


FIG. 5

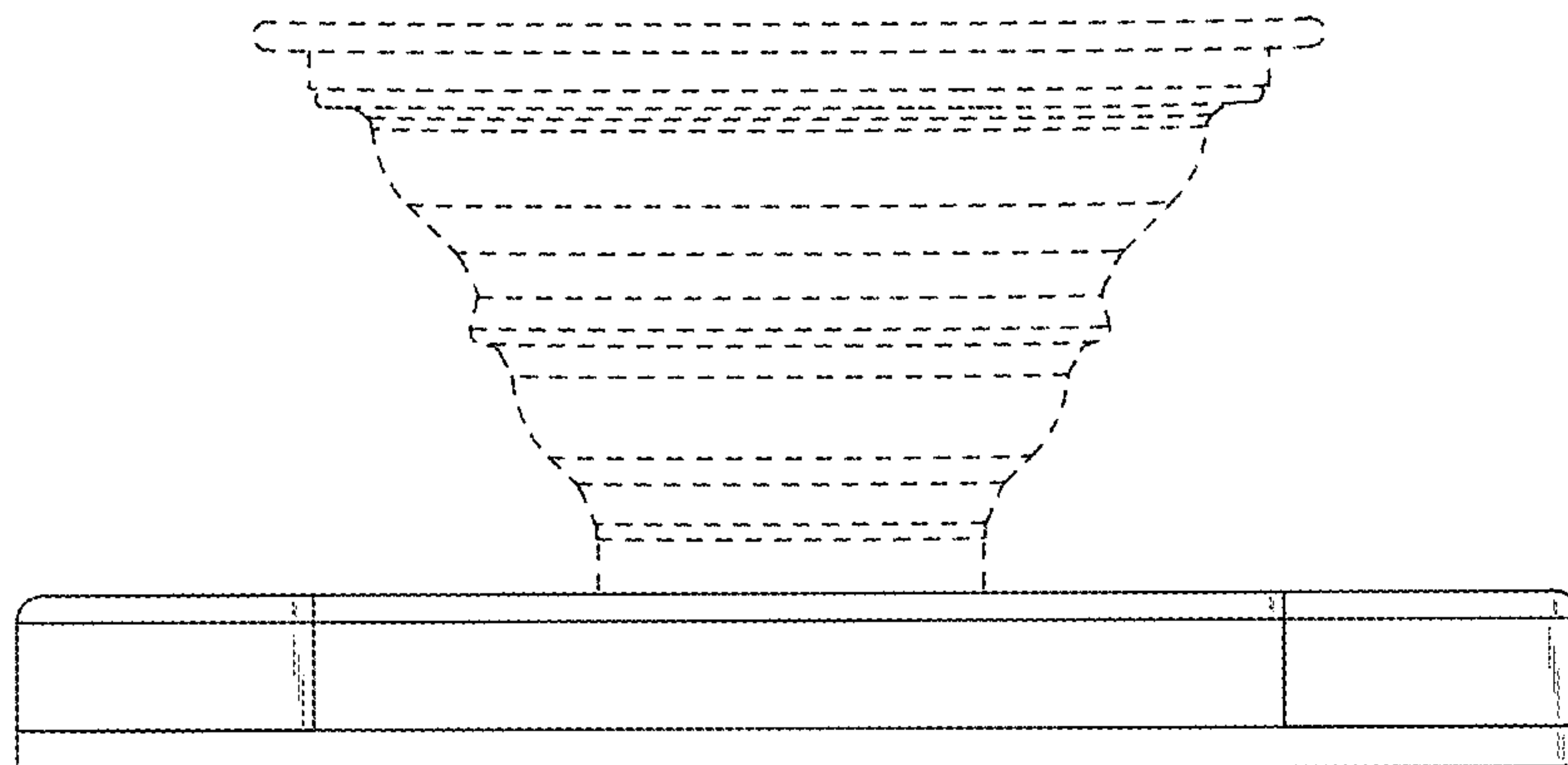


FIG. 6