



US00D835088S

(12) **United States Design Patent**
Zhuang

(10) **Patent No.:** **US D835,088 S**

(45) **Date of Patent:** **** Dec. 4, 2018**

(54) **SILICONE PROTECTIVE CASE FOR MOBILE PHONE OR TABLET**

(71) Applicant: **Ping Zhuang**, Hubei (CN)

(72) Inventor: **Ping Zhuang**, Hubei (CN)

(**) Term: **15 Years**

(21) Appl. No.: **29/590,999**

(22) Filed: **Jan. 16, 2017**

(51) **LOC (11) Cl.** **14-03**

(52) **U.S. Cl.**
USPC **D14/250**; D14/440

(58) **Field of Classification Search**
USPC D3/201, 226, 227, 247, 249, 250, 269, D3/303; D13/103, 107, 108, 119; D14/137, 138 R, 138 AA, 138 C, 138 G, D14/203.3-203.7, 217, 238.1, 247, 248, D14/250-253, 440
CPC H04B 1/3888; H04M 1/0283; H04M 1/0202; A45C 1/06; A45C 2011/002; A45C 11/00; A45F 2005/028; A45F 2200/0525
See application file for complete search history.

(56) **References Cited**

U.S. PATENT DOCUMENTS

D466,107 S *	11/2002	Lum	D14/217
D592,188 S *	5/2009	Huang	D14/217
D610,587 S *	2/2010	Bandringa	D14/253
D637,593 S *	5/2011	Zanetti	D14/253
D640,679 S *	6/2011	Willes	D14/250
D652,836 S *	1/2012	Voorhees	D14/238.1
D669,890 S *	10/2012	Hopkins	D14/251
8,281,924 B2 *	10/2012	Westrup	A45C 3/02 206/320

D674,803 S *	1/2013	Westrup	A45C 3/02 D14/440
D680,523 S *	4/2013	Tu	D14/253
D693,799 S *	11/2013	Badillo	D14/247
D704,194 S *	5/2014	Young	D14/440
8,720,752 B2 *	5/2014	Huang, Jr.	B25G 3/36 224/218
D719,144 S *	12/2014	Eulette	D14/250
D719,951 S *	12/2014	Fenton	D14/253
9,098,238 B2 *	8/2015	Richardson	H04M 1/185
9,271,561 B2 *	3/2016	Chang	A45F 5/021
9,314,078 B1 *	4/2016	Haymond	A45C 11/00
9,317,076 B2 *	4/2016	Rayner	F16M 13/00
9,362,971 B2 *	6/2016	Radmard	H04M 1/185
D764,478 S *	8/2016	Radmard	H04M 1/185 D14/250
D769,854 S *	10/2016	Duval	D14/250
9,634,711 B2 *	4/2017	Sirichai	A45C 11/00
D800,107 S *	10/2017	Godycki	D14/250

* cited by examiner

Primary Examiner — Susan E Krakower
Assistant Examiner — L. A. Grabenstetter

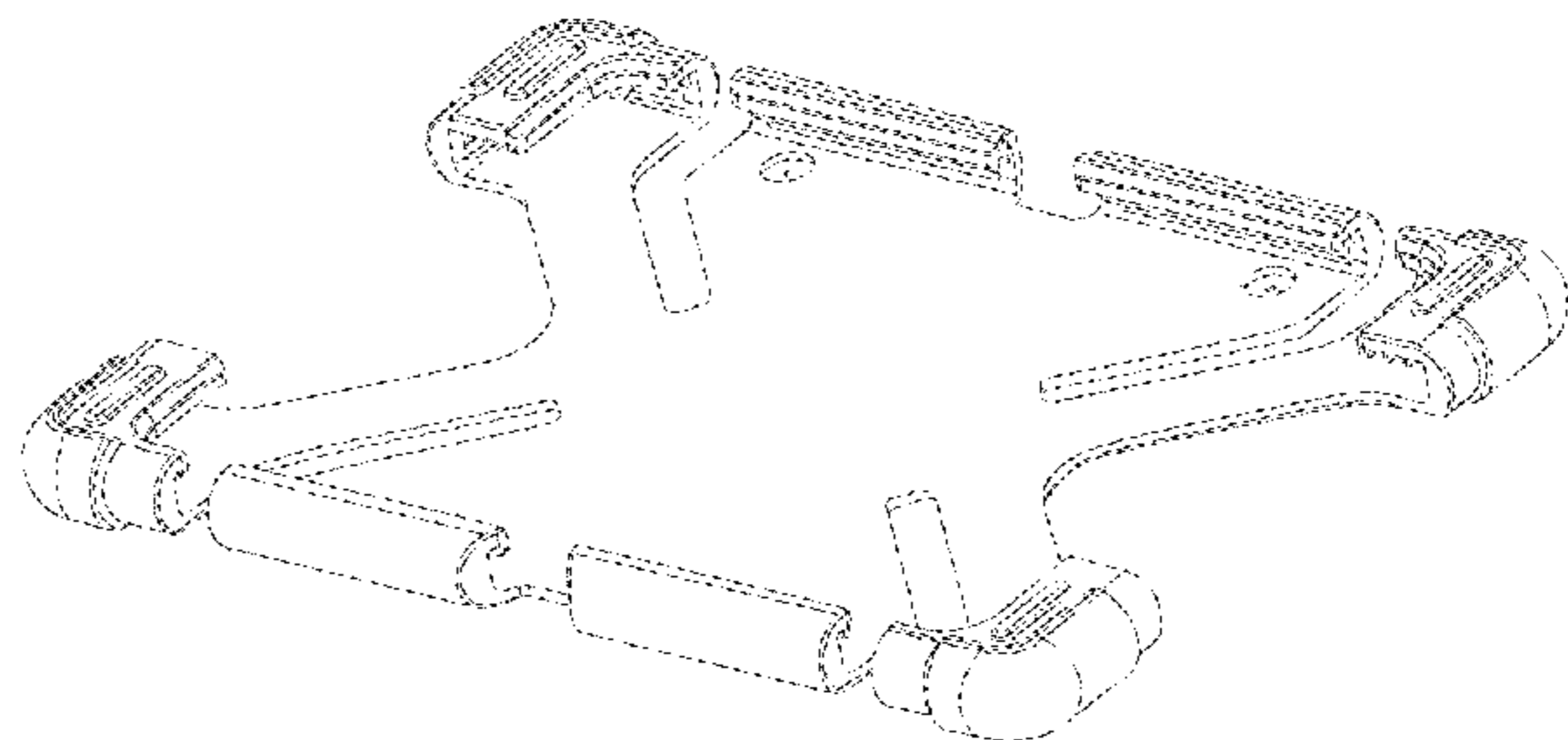
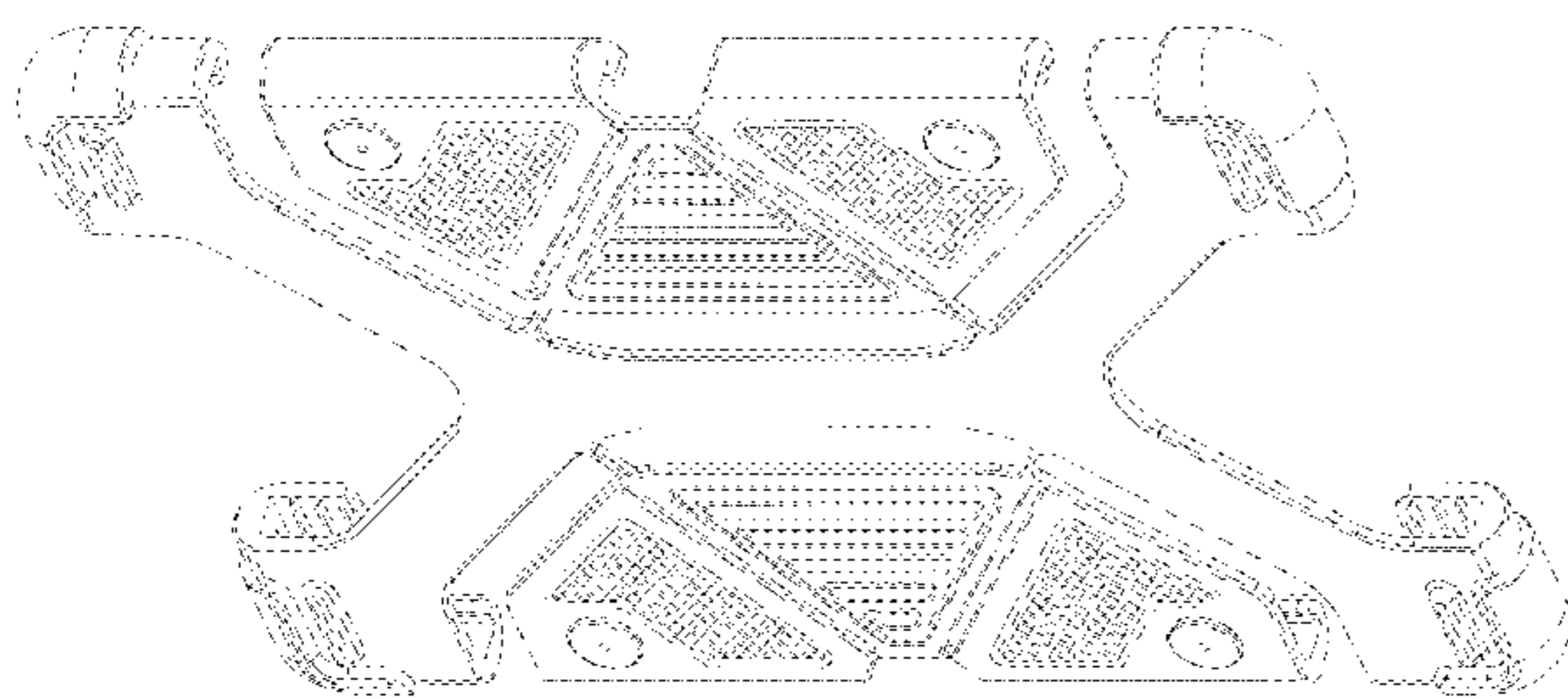
(57) **CLAIM**

The ornamental design for a silicone protective case for mobile phone or tablet, as shown.

DESCRIPTION

FIG. 1 is a front elevational view of a silicone protective case for mobile phone or tablet showing my new design; FIG. 2 is a rear elevational view thereof; FIG. 3 is a left side view thereof; FIG. 4 is a right aide view thereof; FIG. 5 is a top plan view thereof; FIG. 6 is a bottom plan view thereof; FIG. 7 is a rear perspective view thereof; and, FIG. 8 is a front perspective view thereof.

1 Claim, 4 Drawing Sheets



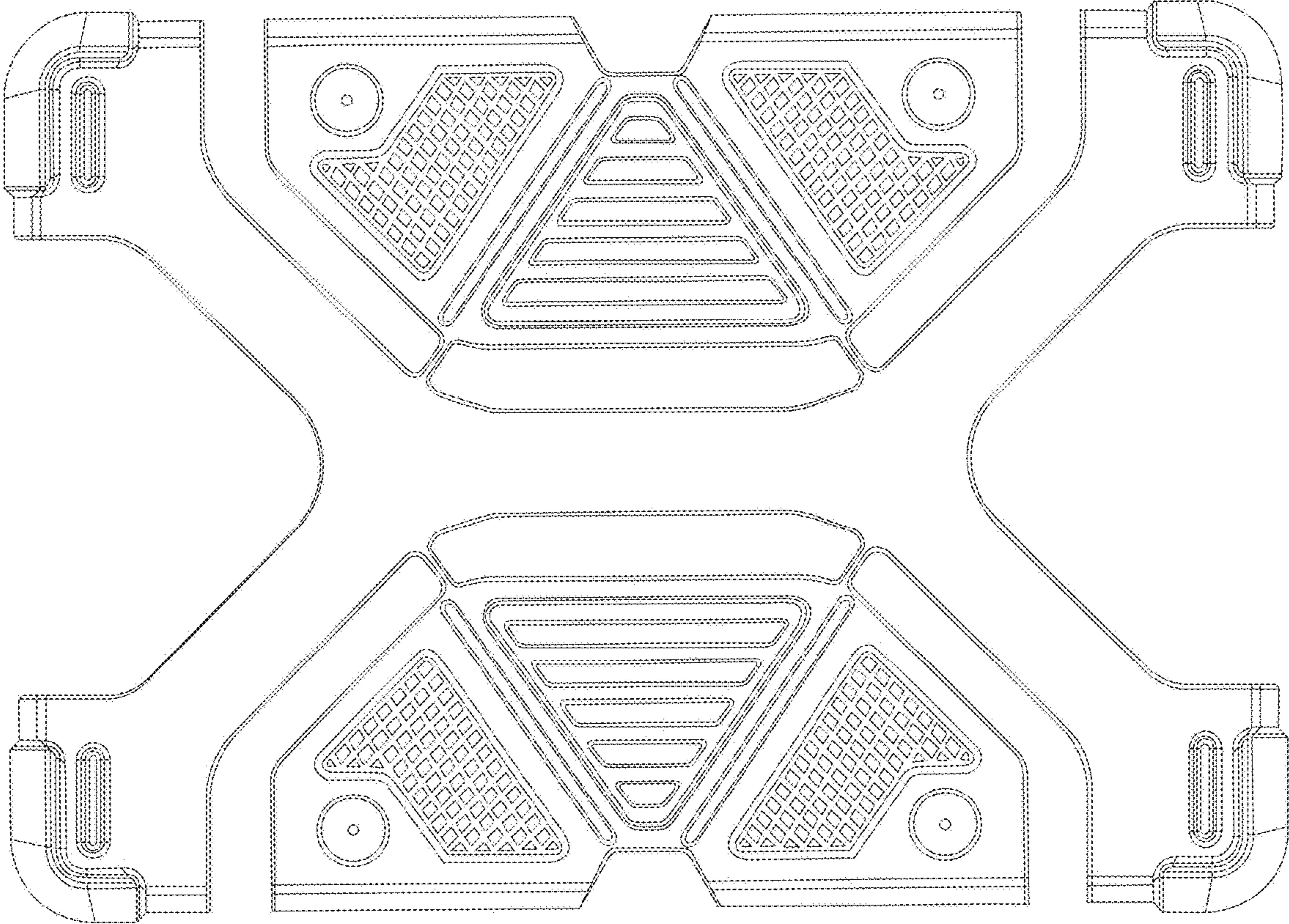


FIG. 1

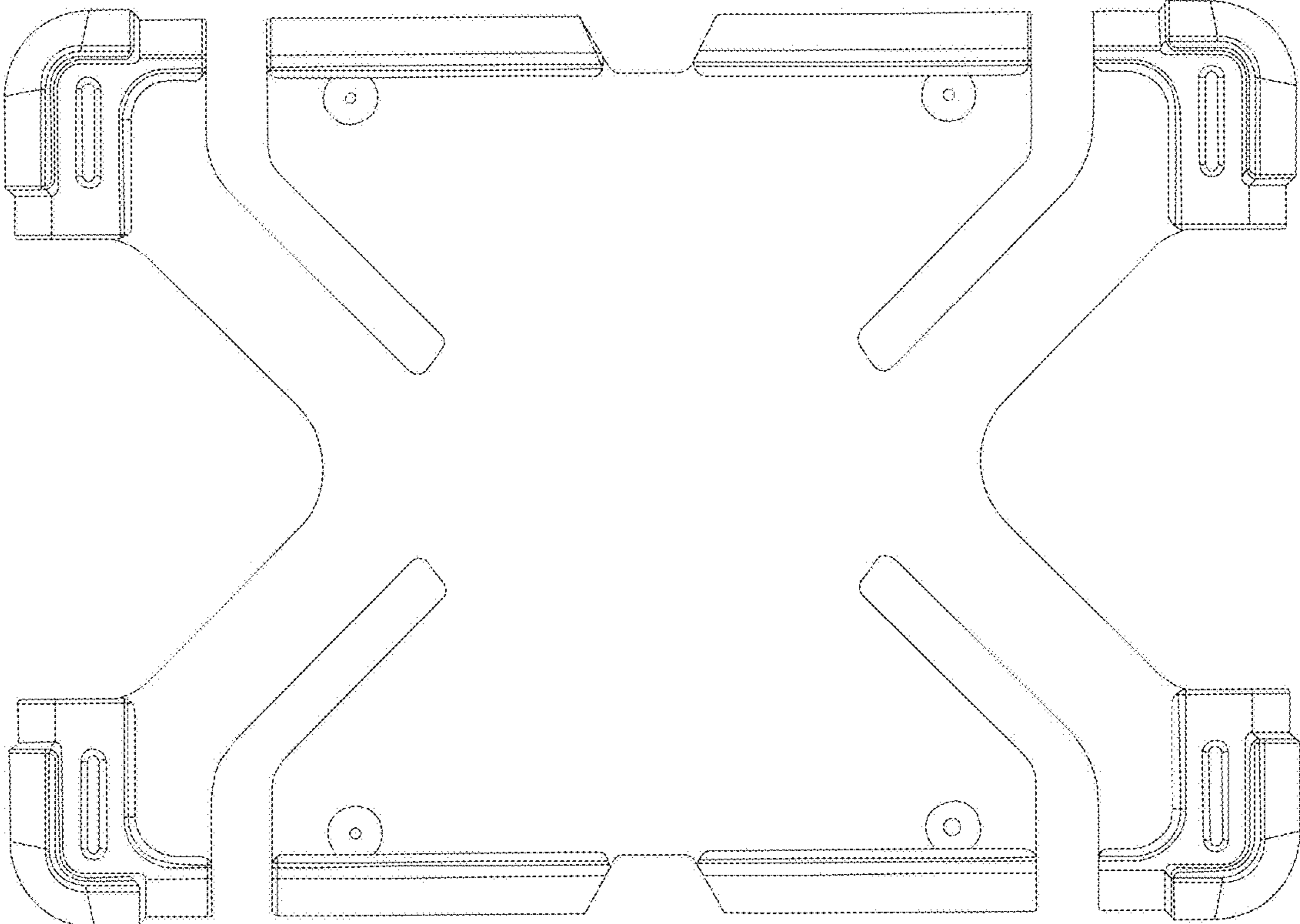


FIG. 2

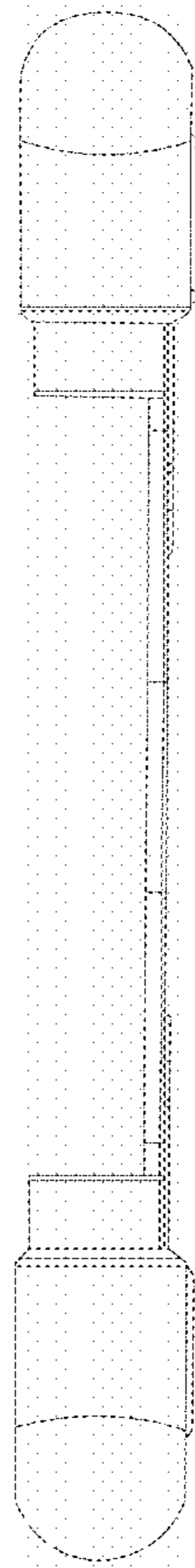


FIG. 3

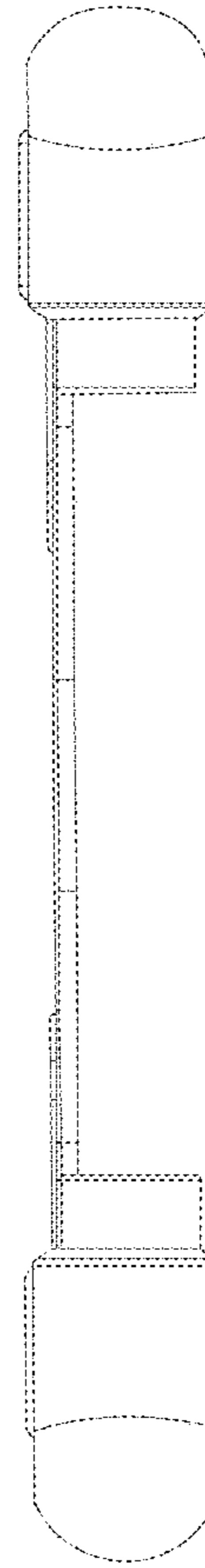


FIG. 4

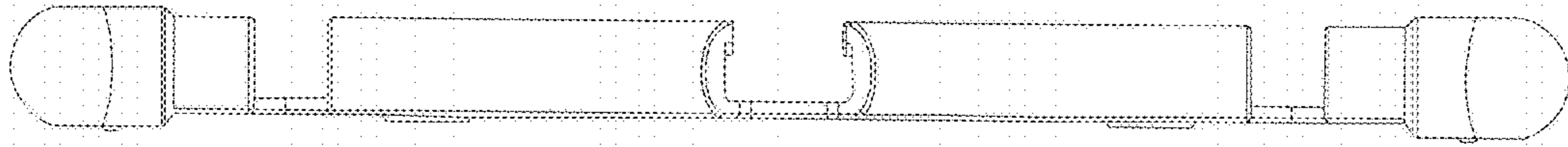


FIG. 5

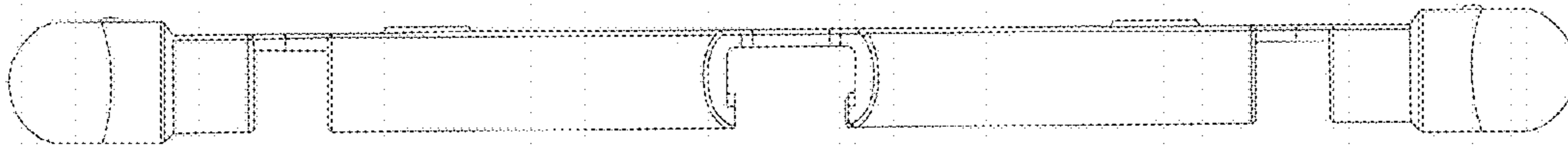


FIG. 6

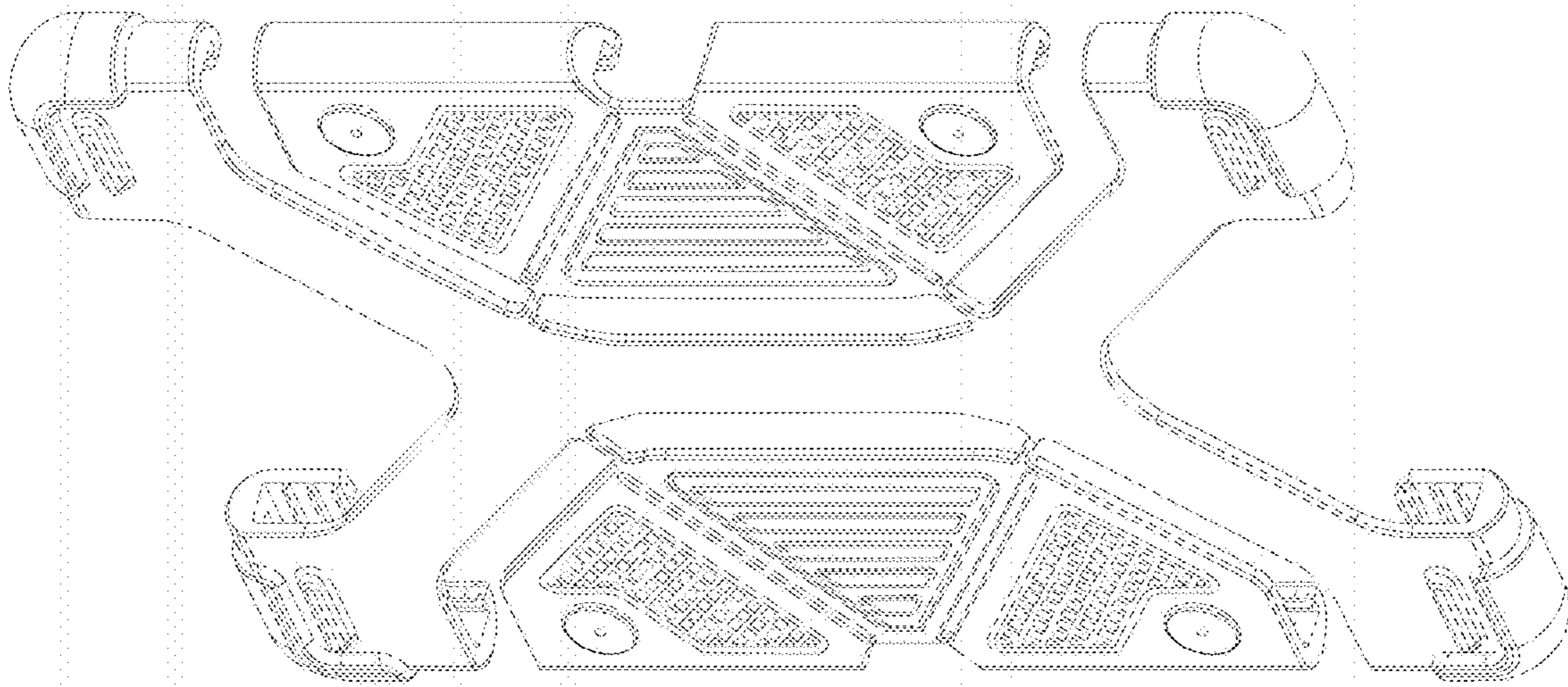


FIG. 7

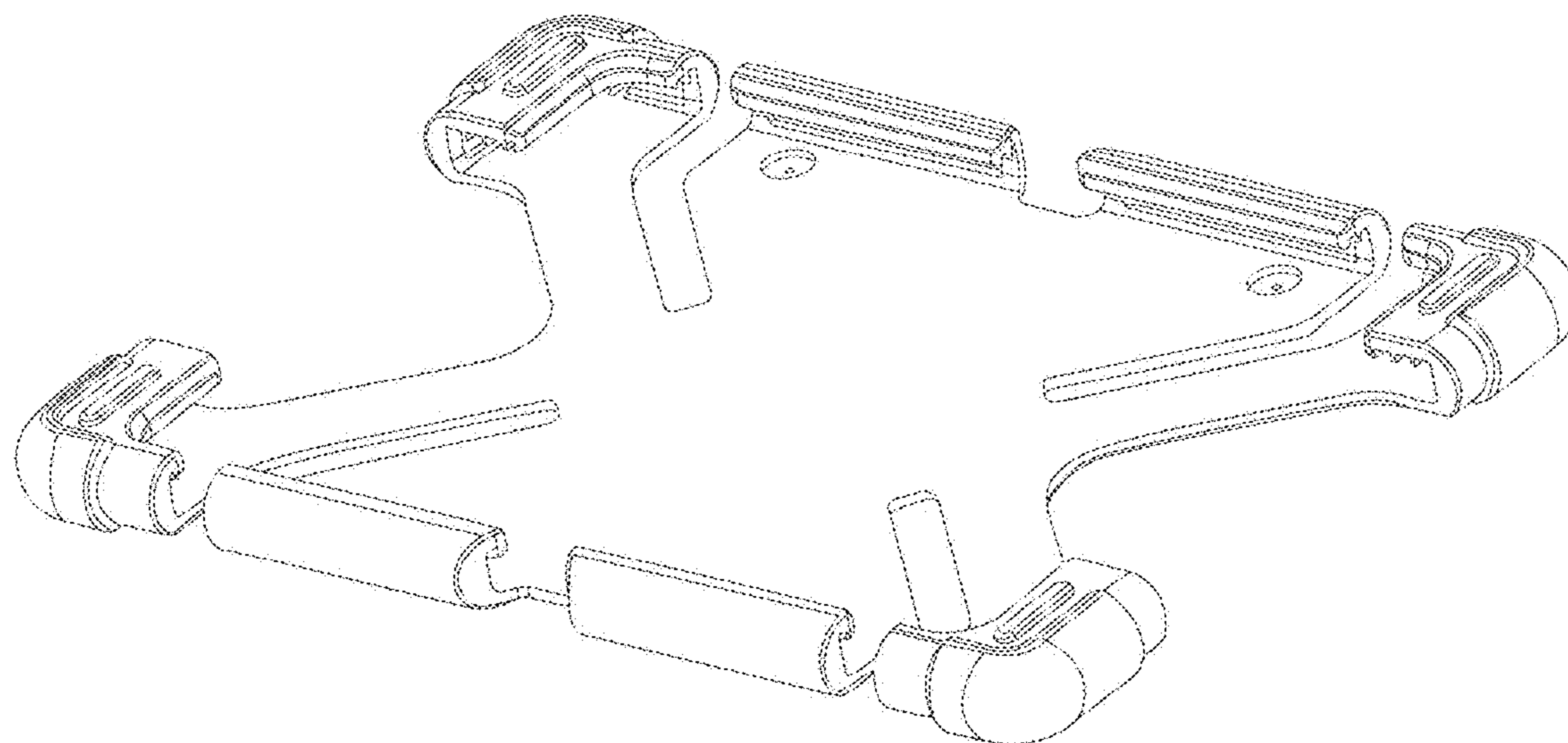


FIG. 8