



US00D835087S

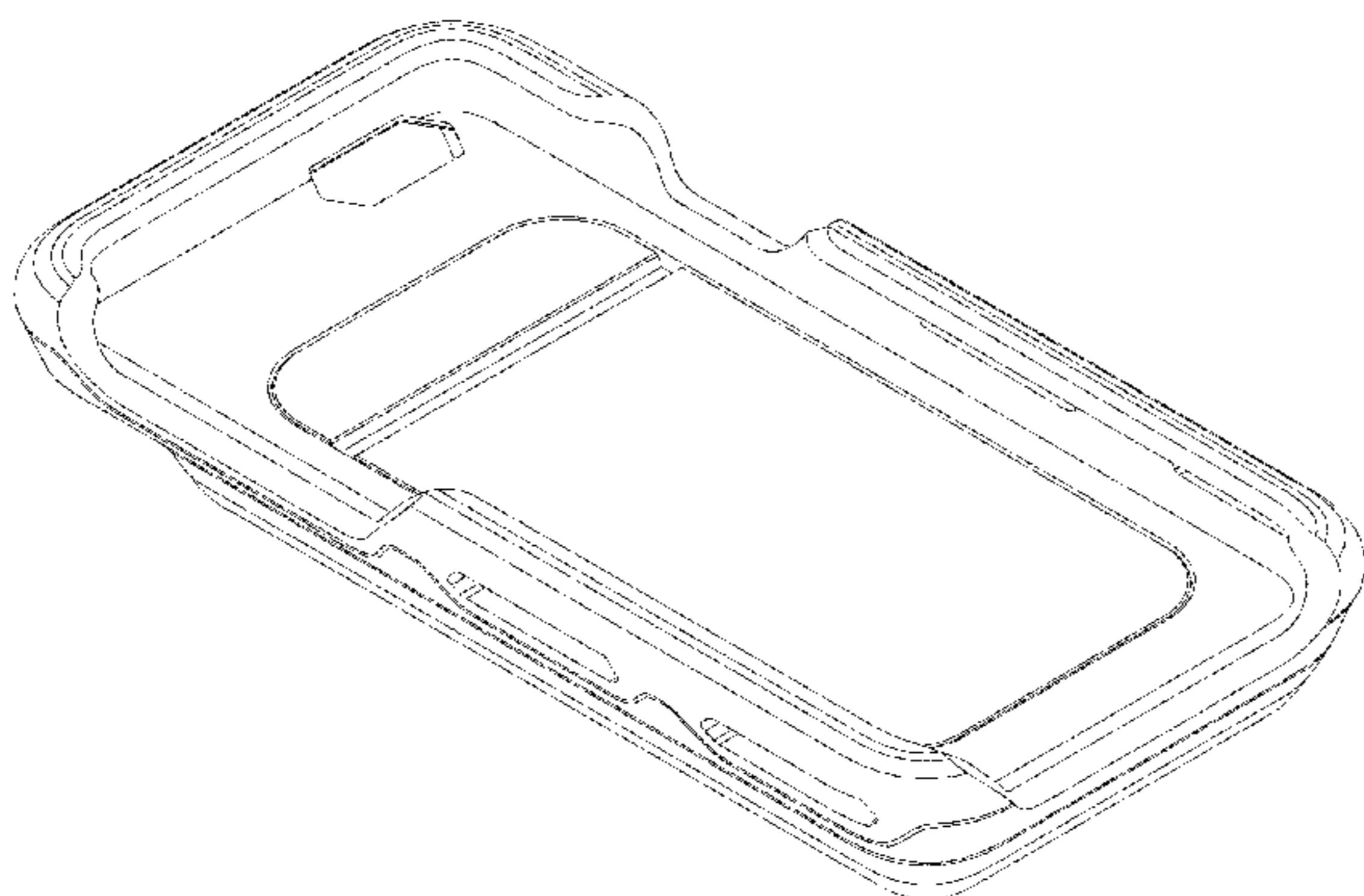
(12) **United States Design Patent** (10) **Patent No.:** **US D835,087 S**  
**Wilder et al.** (45) **Date of Patent:** **\*\* Dec. 4, 2018**

(54) **PHONE CASE WITH ATTACHABLE WIRELESS COMMUNICATION MODULE**  
(71) Applicant: **VIBES AUDIO LLC**, Irvine, CA (US)  
(72) Inventors: **Shane Wilder**, Aliso Viejo, CA (US); **Scharles Wilder**, San Diego, CA (US)  
(73) Assignee: **VIBES AUDIO LLC**, Irvine, CA (US)  
(\*\*) Term: **15 Years**  
(21) Appl. No.: **29/583,405**  
(22) Filed: **Nov. 4, 2016**  
(51) **LOC (11) Cl.** ..... **14-03**  
(52) **U.S. Cl.**  
USPC ..... **D14/250**; D14/172  
(58) **Field of Classification Search**  
USPC ..... D3/201, 218, 232, 233, 239, 242, D3/245-247, 250, 251, 269, 273, 301, D3/303; D13/103, 107, 108, 119; D14/137, 138 R, 138 AA, 138 C, 138 G, D14/172, 203.3-203.7, 217, 204, 209.1, D14/215, 218, 221, 238.1, 247, 248, 250, D14/251-253, 372, 440, 496  
CPC ..... H04B 1/3888; H04M 1/0283; H04M 1/0202; A45C 1/06; A45C 2011/002; A45C 23/02; A45C 11/00; A45F 2005/028; A45F 2200/0525; A45F 2200/0518  
See application file for complete search history.

(56) **References Cited**  
**U.S. PATENT DOCUMENTS**  
5,245,669 A 9/1993 Bittencourt  
6,675,931 B2 1/2004 Sahyoun  
(Continued)

**OTHER PUBLICATIONS**  
Vibes Audio Vibrox review, posted at Digitaltrends.com, posting date Dec. 12, 2017, [online], [site visited Dec. 15, 2017]. Available from Internet, <URL: <https://www.digitaltrends.com/music/vibes-audio-vibrox-review/>>.\*

(Continued)



*Primary Examiner* — Susan E Krakower  
*Assistant Examiner* — L. A. Grabenstetter  
(74) *Attorney, Agent, or Firm* — Knobbe, Martens, Olson & Bear, LLP

(57) **CLAIM**

The ornamental design for a phone case with attachable wireless communication module, as shown.

**DESCRIPTION**

FIG. 1 is a front, right-side, and bottom perspective view of a phone case with attachable wireless communication module showing our new design;  
FIG. 2 is a rear, left-side, and bottom perspective view thereof;  
FIG. 3 is a front view thereof showing the phone case component separately for clarity of disclosure;  
FIG. 4 is a rear view thereof showing the phone case component separately for clarity of disclosure;  
FIG. 5 is a right-side view thereof showing the phone case component separately for clarity of disclosure;  
FIG. 6 is a left-side view thereof showing the phone case component separately for clarity of disclosure;  
FIG. 7 is a bottom view thereof showing the phone case component separately for clarity of disclosure;  
FIG. 8 is a top view thereof showing the phone case component separately for clarity of disclosure;  
FIG. 9 is a front, right-side, and bottom perspective view thereof showing the phone case component separately for clarity of disclosure;  
FIG. 10 is a rear, left-side, and bottom perspective view thereof showing the phone case component separately for clarity of disclosure;  
FIG. 11 is a front view thereof showing the attachable wireless communication module component separately for clarity of disclosure;  
FIG. 12 is a rear view thereof showing the attachable wireless communication module separately for clarity of disclosure;

(Continued)

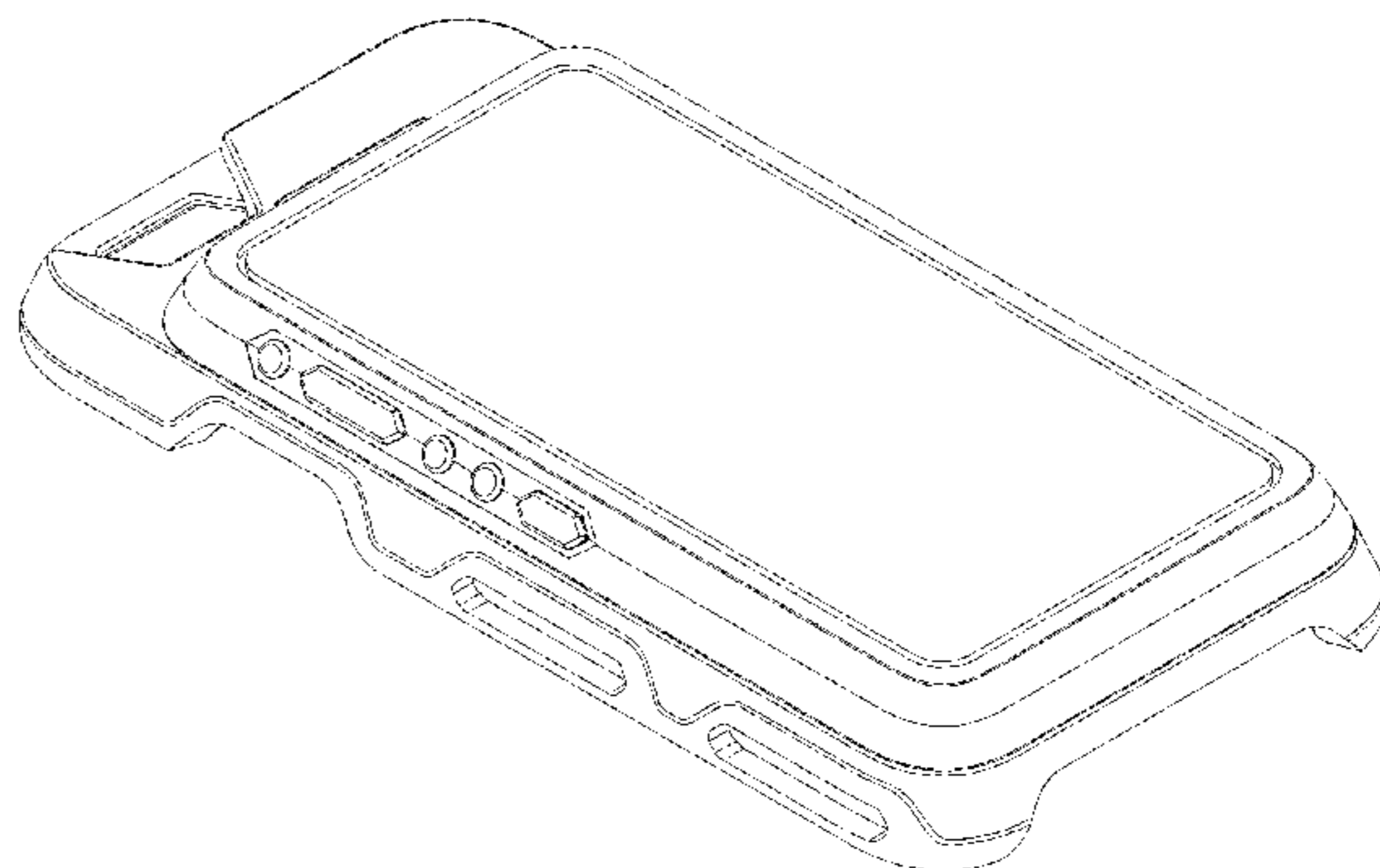


FIG. 13 is a right-side view thereof showing the attachable wireless communication module separately for clarity of disclosure;

FIG. 14 is a left-side view thereof showing the attachable wireless communication module separately for clarity of disclosure;

FIG. 15 is a bottom view thereof showing the attachable wireless communication module separately for clarity of disclosure;

FIG. 16 is a top view thereof showing the attachable wireless communication module separately for clarity of disclosure;

FIG. 17 is a front, right-side, and bottom perspective view thereof showing the attachable wireless communication module separately for clarity of disclosure; and,

FIG. 18 is a rear, right-side, and bottom perspective view thereof showing the attachable wireless communication module separately for clarity of disclosure.

Although the phone case with attachable wireless communication module in which the claimed design is embodied consists of a phone case component and an attachable wireless communication module component, the claim is directed to the ornamental appearance of the phone case with attachable wireless communication module in its entirety and does not extend to the ornamental appearance of each of the individual components of the phone case with attachable wireless communication module.

**1 Claim, 18 Drawing Sheets**

(56)

**References Cited**

U.S. PATENT DOCUMENTS

D542,287 S \* 5/2007 Chung ..... D14/215  
 D586,787 S \* 2/2009 Rivard ..... D14/217

D596,158 S \* 7/2009 Ragde, Jr. .... D14/214  
 D596,618 S \* 7/2009 Zha ..... D14/203.8  
 7,639,830 B2 12/2009 Schell et al.  
 7,653,209 B2 1/2010 Abe et al.  
 D654,931 S \* 2/2012 Lemelman ..... D14/496  
 8,251,210 B2 8/2012 Schmidt et al.  
 D685,738 S \* 7/2013 Moore ..... D13/119  
 8,485,404 B2 7/2013 Monaco et al.  
 D688,654 S \* 8/2013 Stevinson ..... D14/250  
 8,833,379 B1 \* 9/2014 Kaplan ..... A45D 33/26  
 132/287  
 D723,533 S \* 3/2015 Stevinson ..... D14/250  
 D724,785 S \* 3/2015 Frederick ..... D14/250  
 D725,643 S \* 3/2015 Lee ..... D14/250  
 D726,144 S \* 4/2015 Kang ..... D14/204  
 D735,184 S \* 7/2015 Lee ..... D14/250  
 D746,801 S \* 1/2016 Pan ..... D14/250  
 D756,967 S \* 5/2016 Manz ..... D14/214  
 D759,004 S \* 6/2016 Stevinson ..... D14/250  
 D765,069 S \* 8/2016 Jeffrey ..... D14/250  
 9,525,946 B2 12/2016 Bank  
 9,887,725 B1 2/2018 Wilder et al.  
 2005/0168111 A1 8/2005 Bank et al.  
 2013/0157730 A1 \* 6/2013 McCormac ..... H04M 1/18  
 455/575.8  
 2013/0181584 A1 7/2013 Whitten et al.  
 2014/0135080 A1 \* 5/2014 Kimball ..... H04M 1/04  
 455/575.1  
 2014/0290917 A1 \* 10/2014 Chang ..... G06F 1/203  
 165/121  
 2015/0341712 A1 11/2015 Wilcox et al.

OTHER PUBLICATIONS

U.S. Appl. No. 15/868,829, filed Jan. 11, 2018, Wilder et al.  
 U.S. Appl. No. 29/609,364, filed Jun. 29, 2017, Wilder et al.  
 International Search Report and Written Opinion of the International Searching Authority for International Application No. PCT/US2017/055118, dated on Feb. 13, 2018, in 14 pages.  
 Roxon Modular Smartphone System, Vibes Modular, downloaded from <https://vibesmodular.com/> on Apr. 30, 2018, in 6 pages.

\* cited by examiner



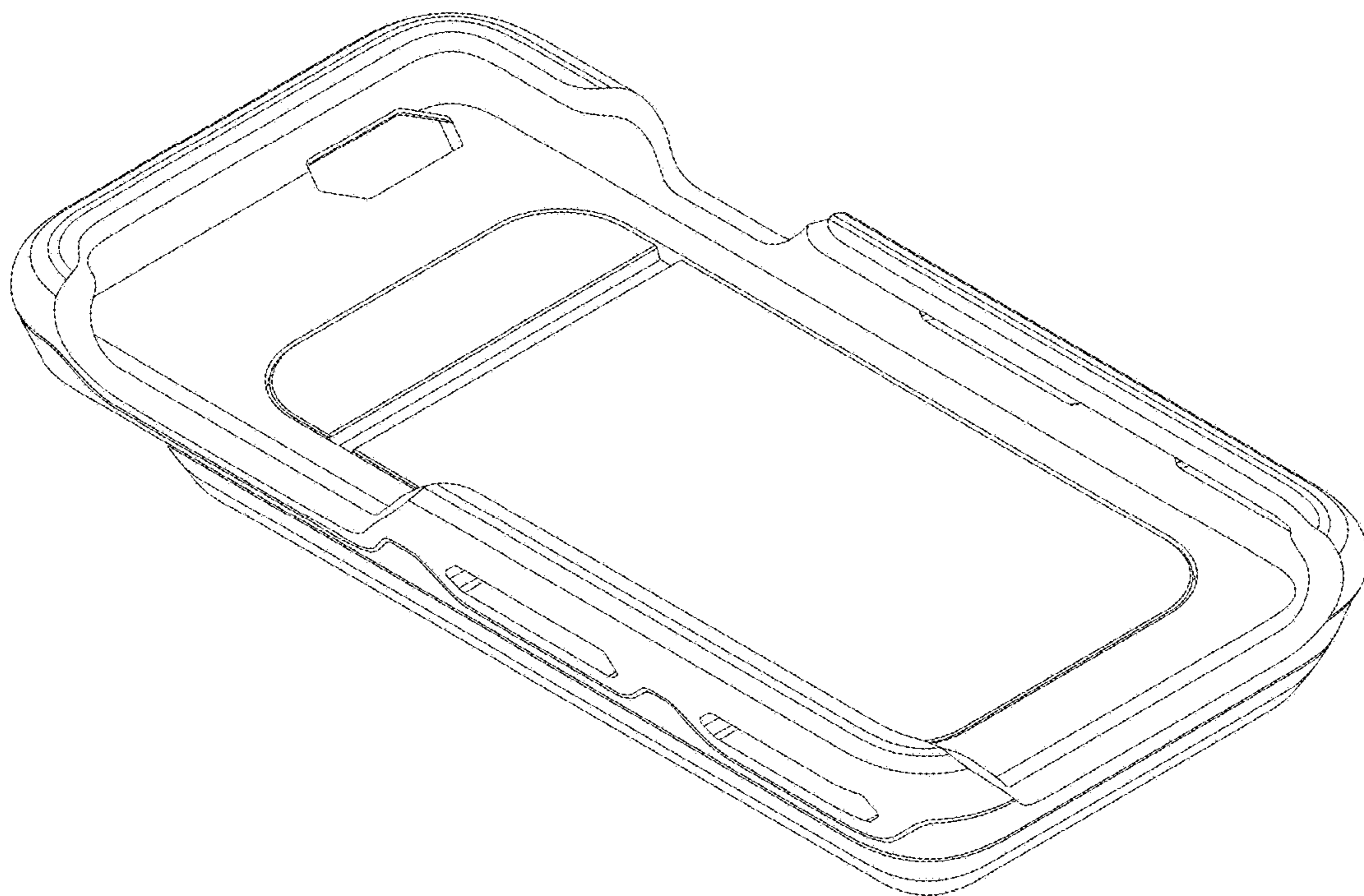


FIG. 1

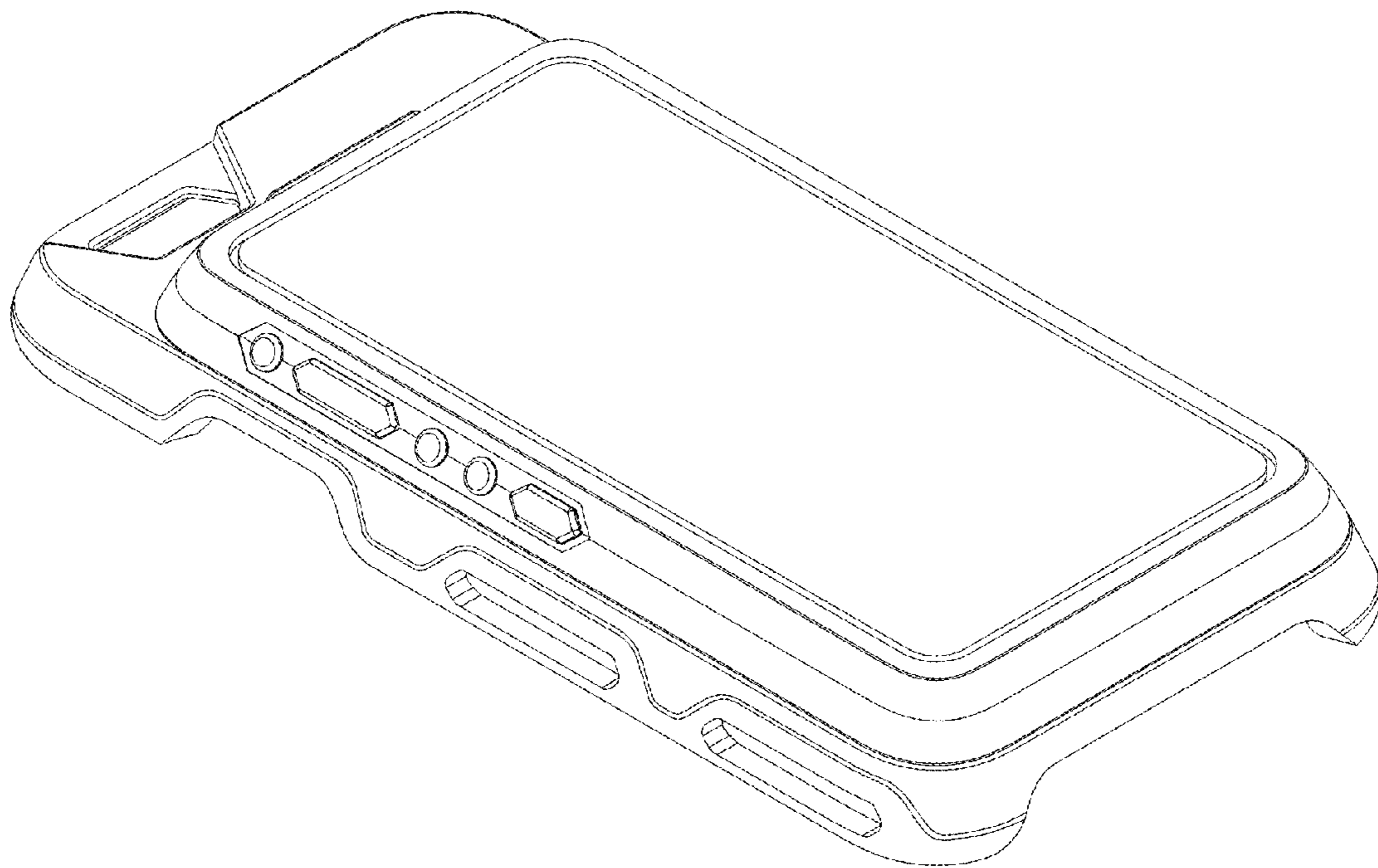


FIG. 2

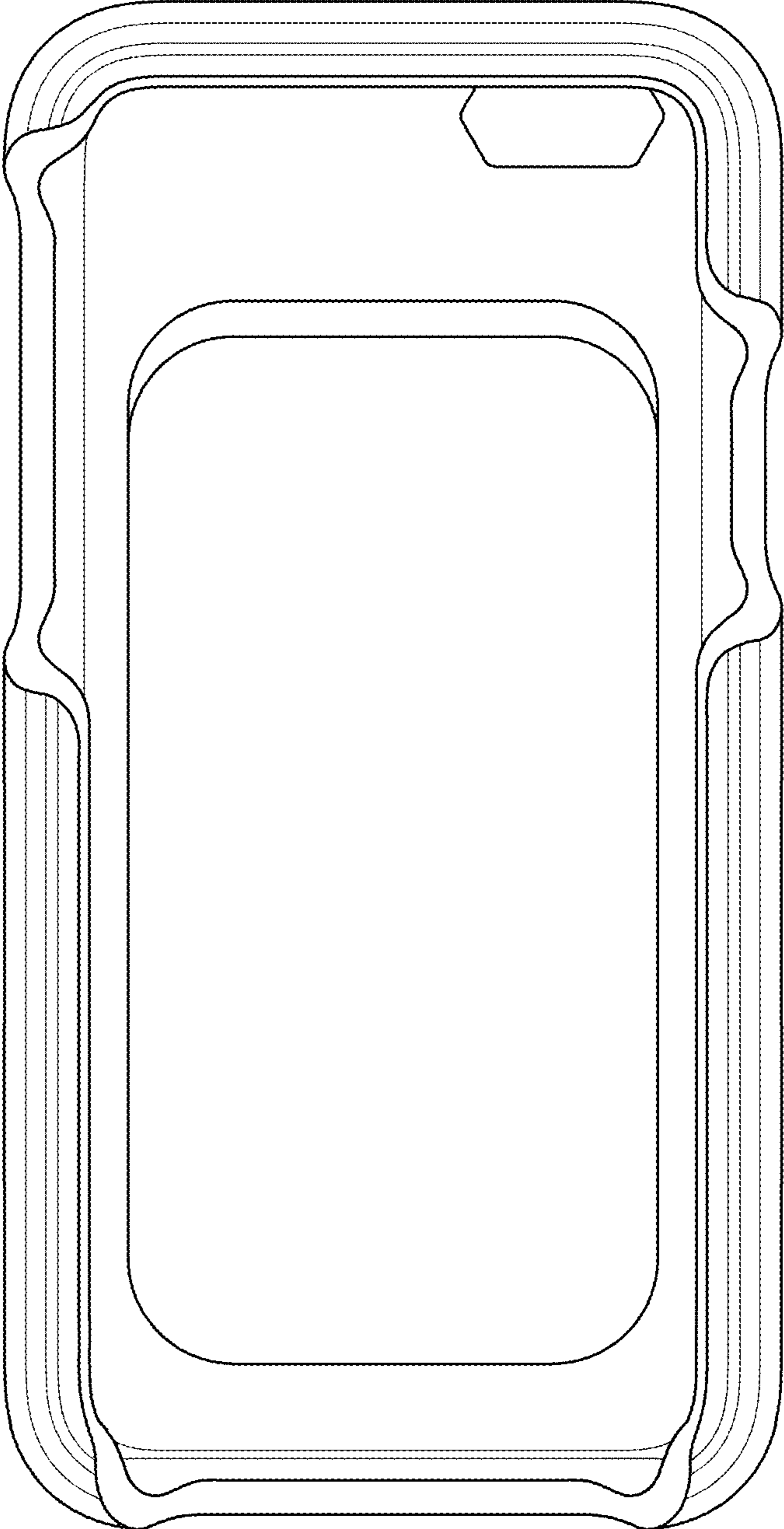


FIG. 3

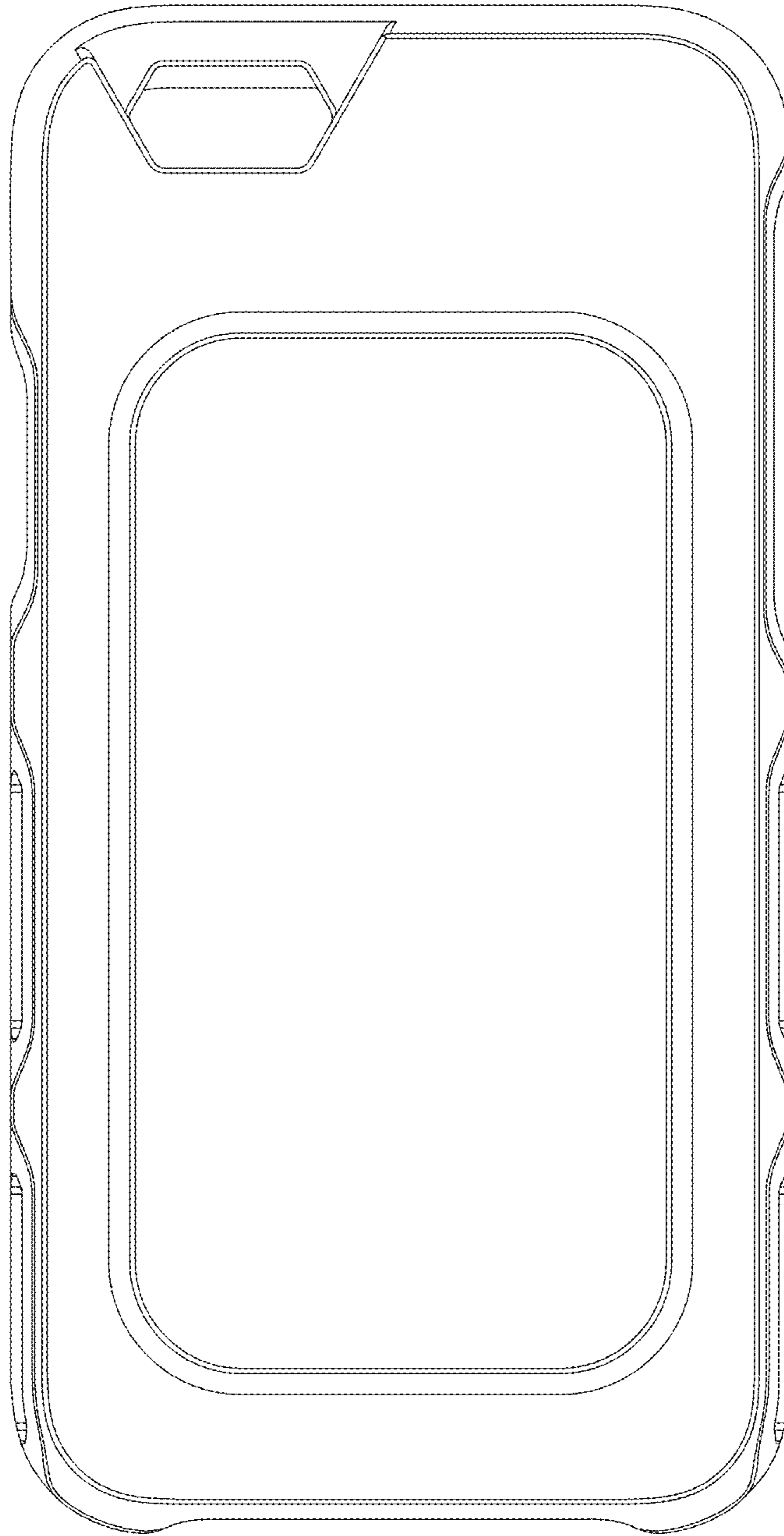


FIG. 4

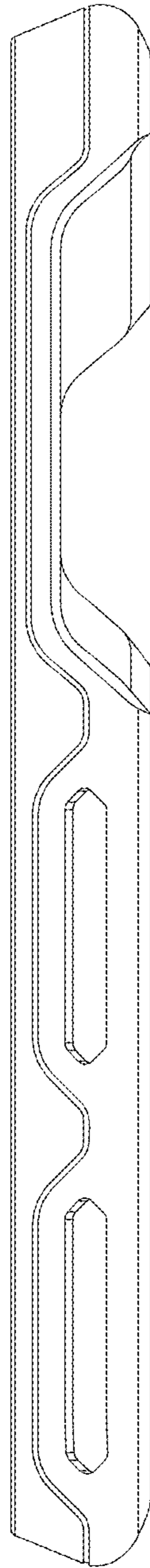


FIG. 5

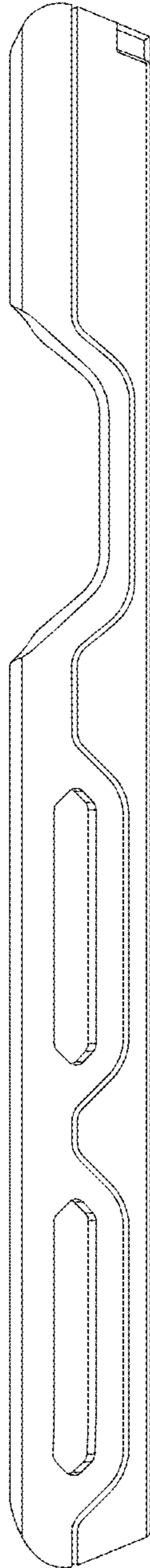


FIG. 6



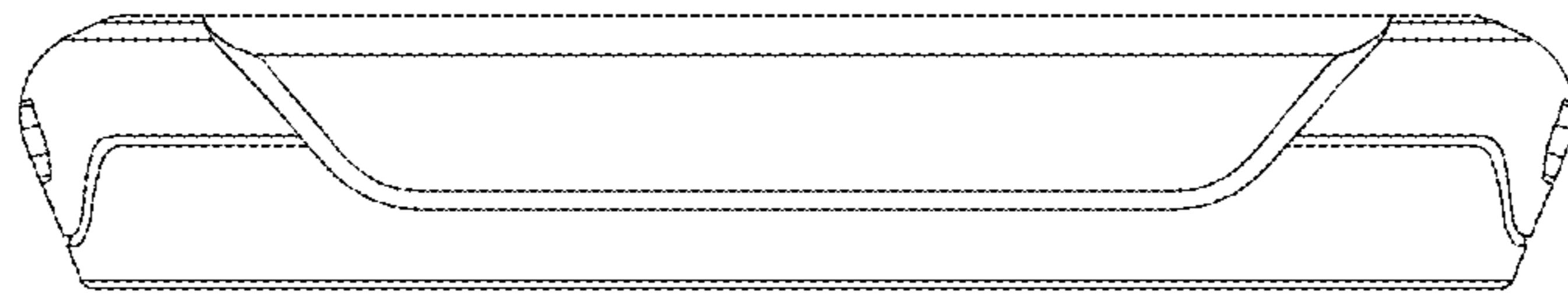


FIG. 7

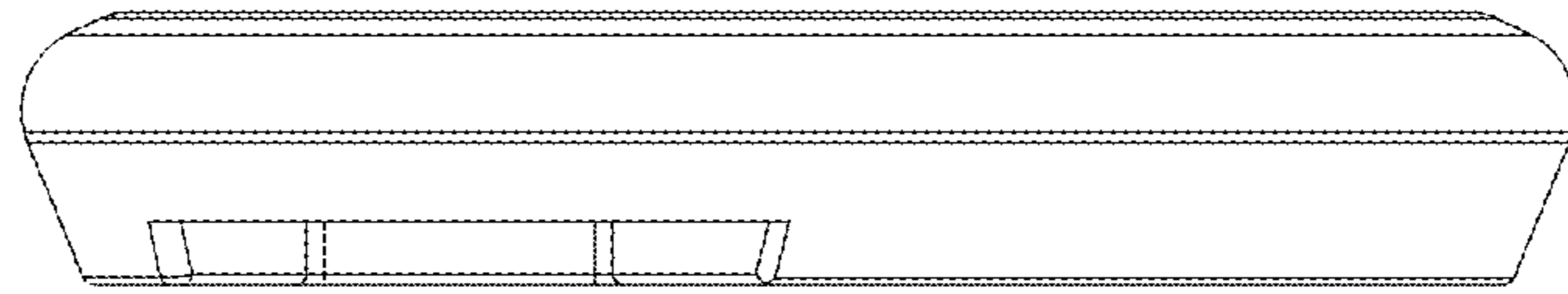


FIG. 8

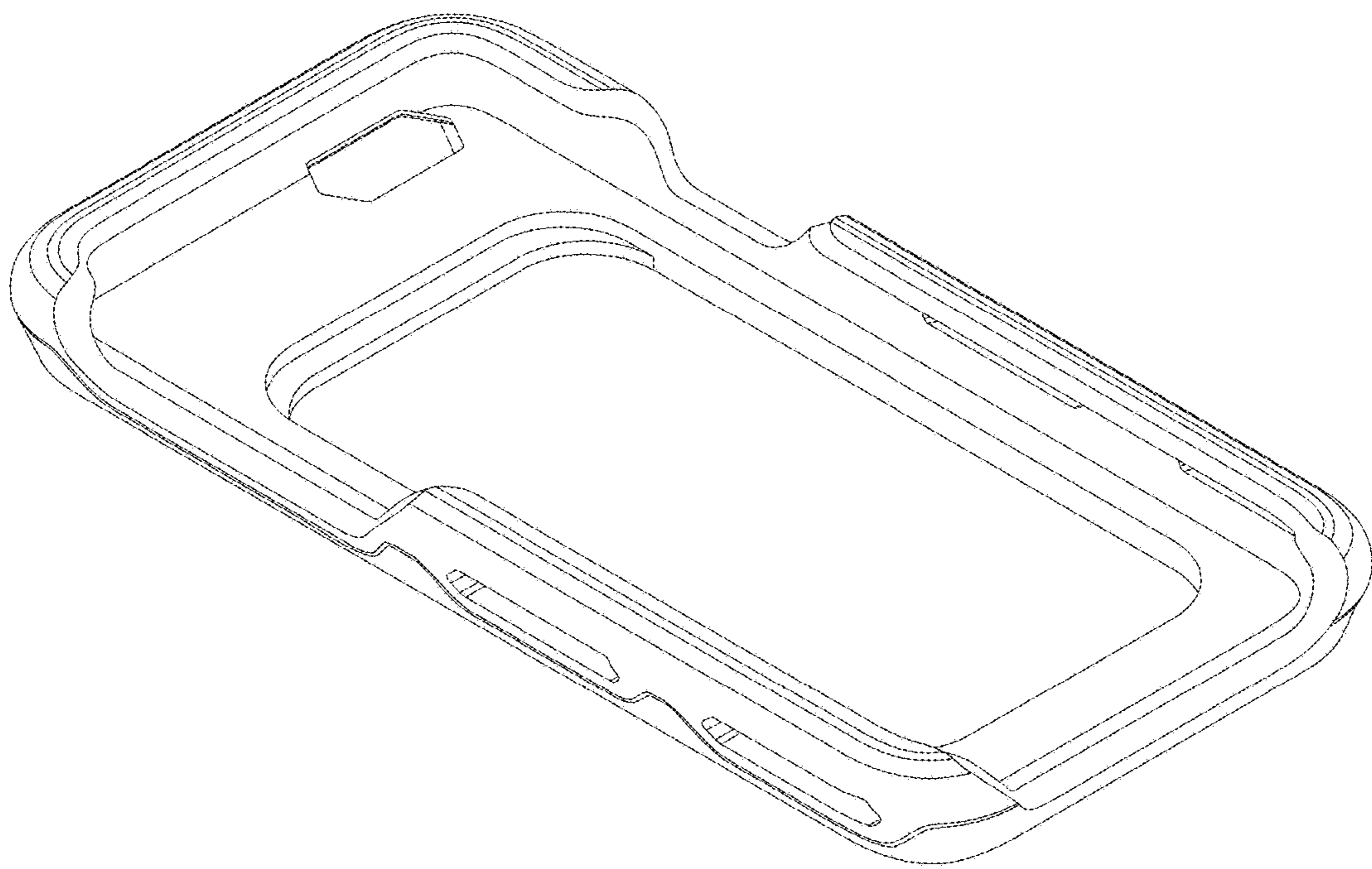


FIG. 9

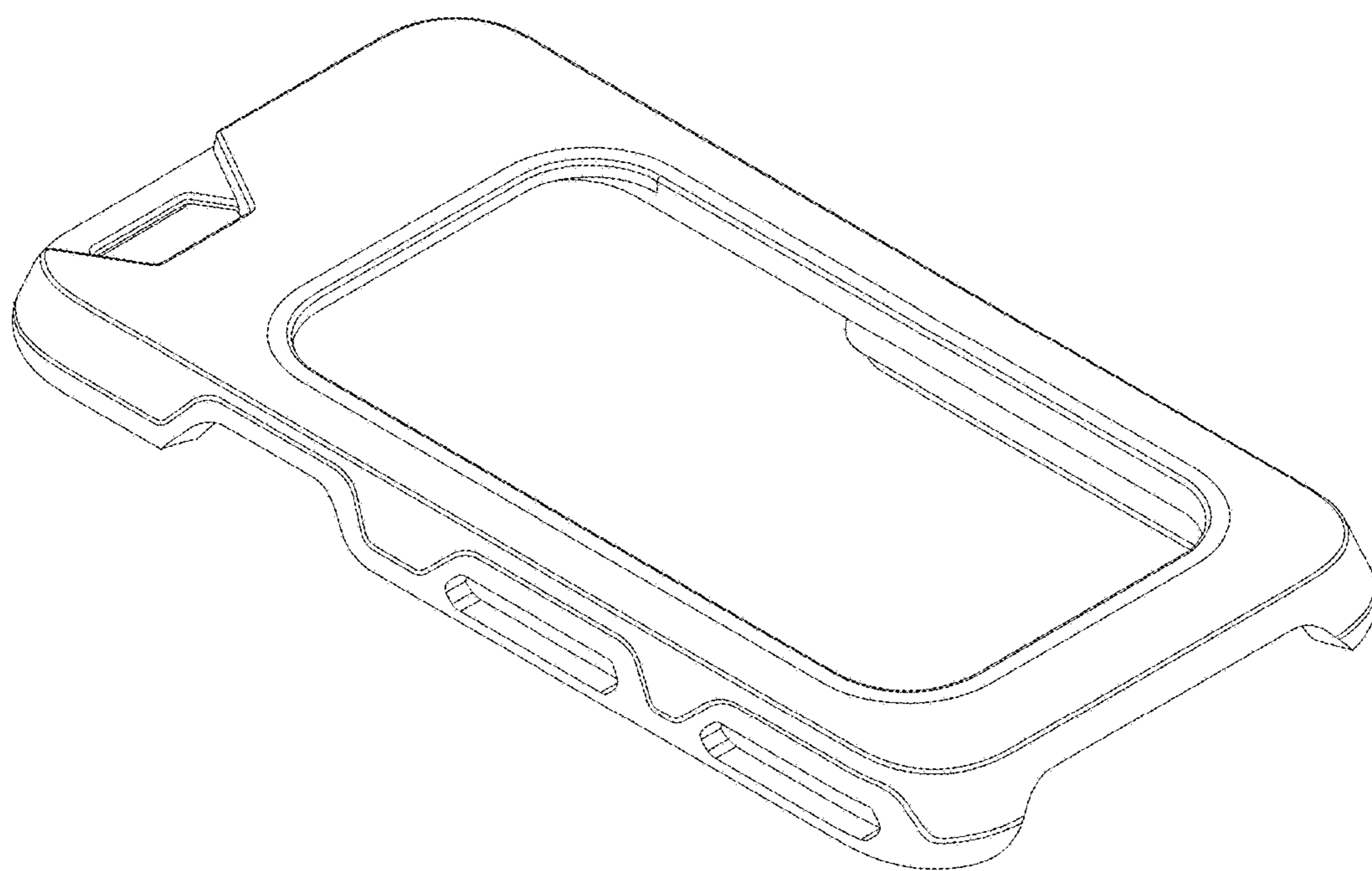


FIG. 10



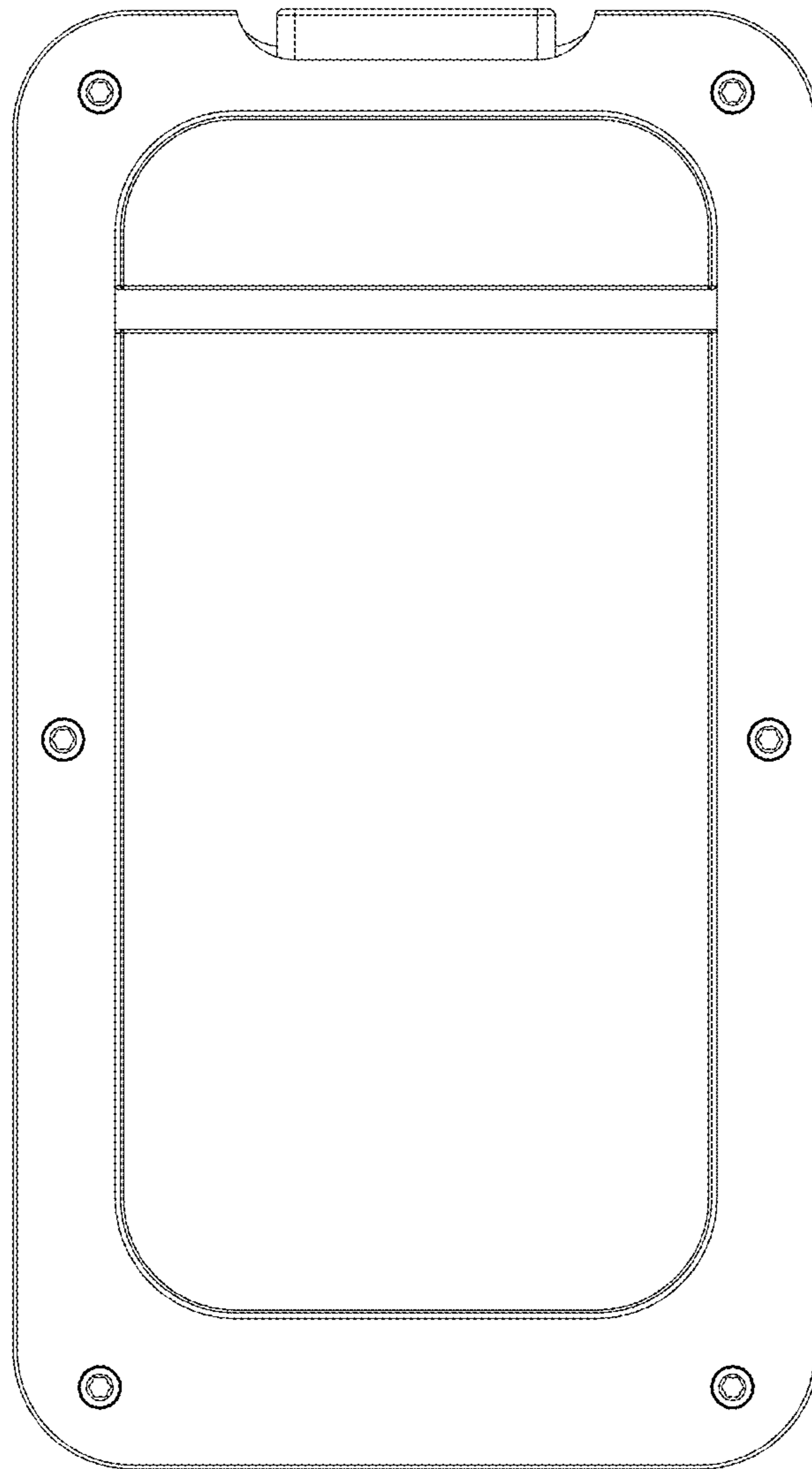


FIG. 11

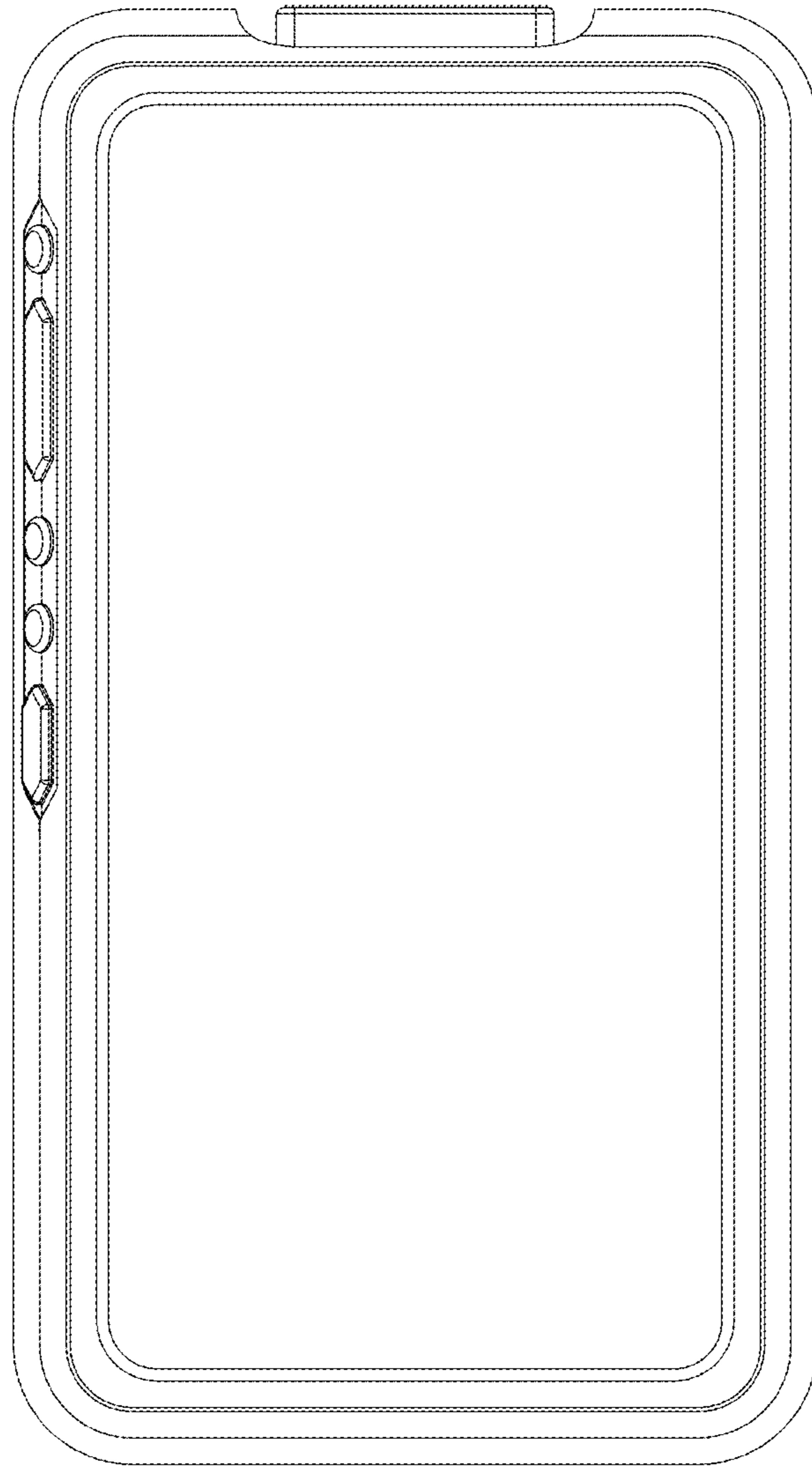


FIG. 12

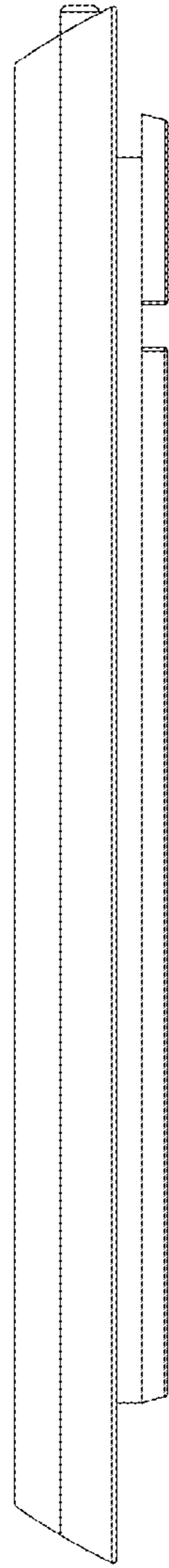


FIG. 13

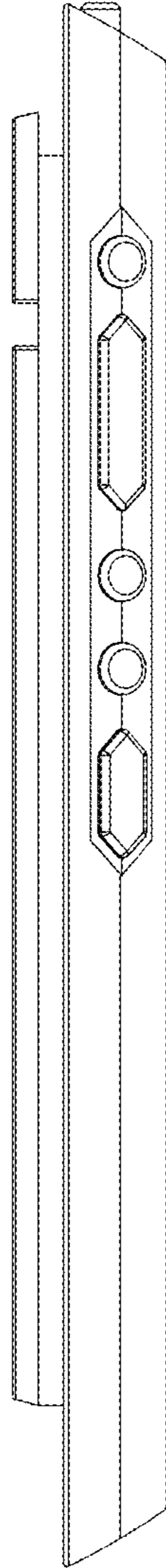


FIG. 14



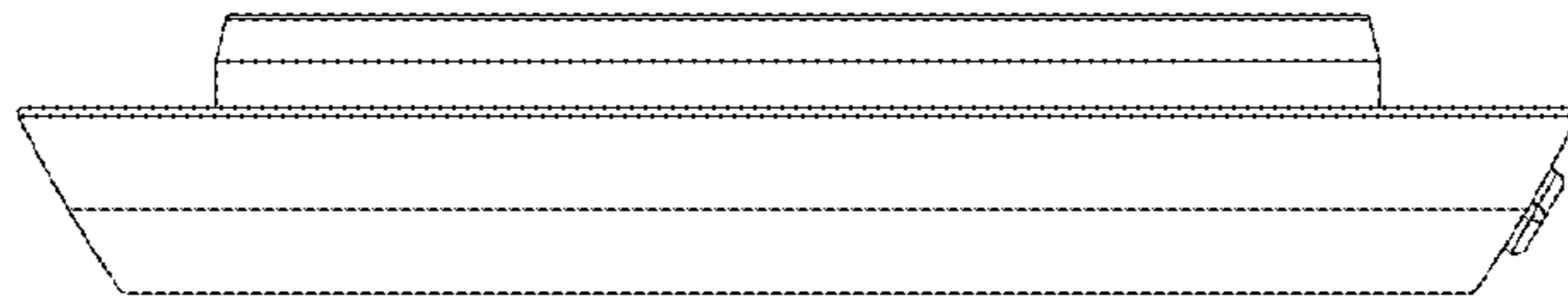


FIG. 15

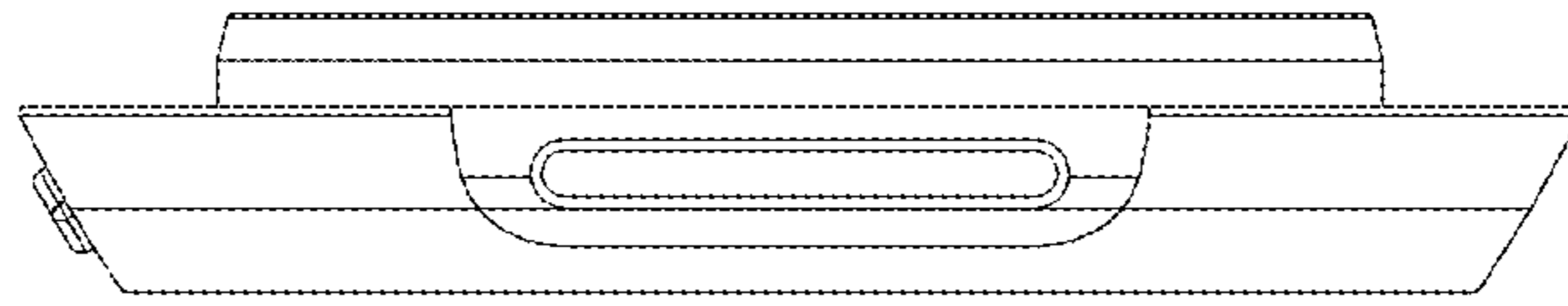


FIG. 16

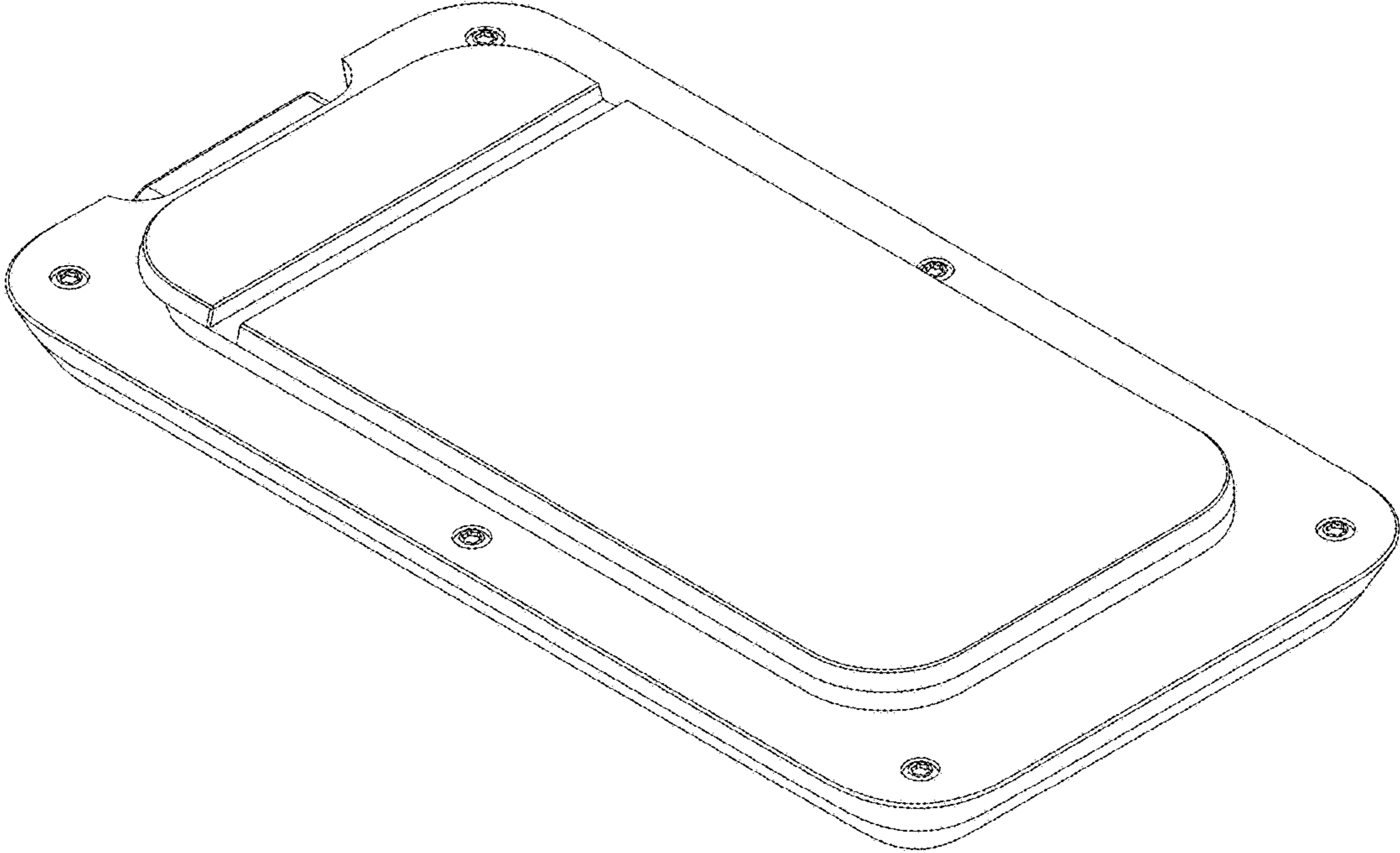


FIG. 17

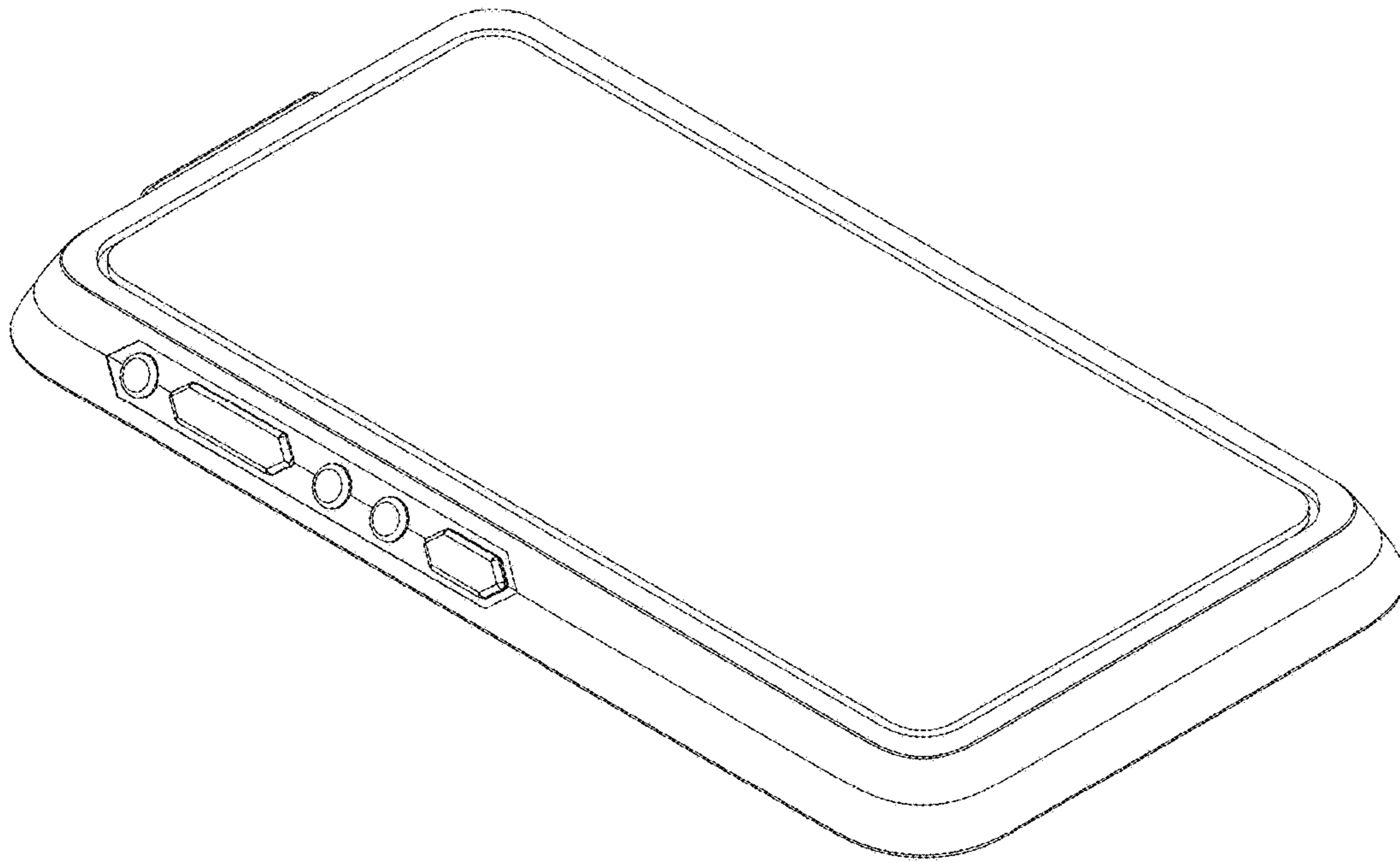


FIG. 18