



US00D835083S

(12) **United States Design Patent** (10) **Patent No.:** **US D835,083 S**  
**Cha et al.** (45) **Date of Patent:** **\*\* Dec. 4, 2018**

(54) **STAND FOR TV RECEIVER**

(56) **References Cited**

(71) Applicant: **LG ELECTRONICS INC.**, Seoul (KR)

U.S. PATENT DOCUMENTS

(72) Inventors: **Hyunbyung Cha**, Seoul (KR);  
**Yoonkyeong Lee**, Seoul (KR);  
**Youngwon Jeong**, Seoul (KR);  
**Byungmu Huh**, Seoul (KR)

D507,263	S	*	7/2005	Narita	.....	D14/240
D509,543	S	*	9/2005	Hillstrom	.....	D20/41
D548,226	S	*	8/2007	Ohba	.....	D14/239
D551,207	S	*	9/2007	Yano	.....	D14/172
D616,029	S	*	5/2010	Maier-Hunke	.....	D20/10
D674,379	S	*	1/2013	Suzuki	.....	D14/239
D677,637	S	*	3/2013	Kubota	.....	D14/126
D681,614	S	*	5/2013	Masui	.....	D14/239
D687,010	S	*	7/2013	McManigal	.....	D14/188
D698,338	S	*	1/2014	Ingham	.....	D14/218
D701,213	S	*	3/2014	Pajic	.....	D14/447
D725,639	S	*	3/2015	Kim	.....	D14/239
D732,036	S	*	6/2015	Lee	.....	D14/434
D749,550	S	*	2/2016	Shin	.....	D14/239
D752,591	S	*	3/2016	Ozolins	.....	D14/434
D762,598	S	*	8/2016	Ishii	.....	D14/125

(73) Assignee: **LG ELECTRONICS INC.**, Seoul (KR)

(\*\*) Term: **15 Years**

(21) Appl. No.: **35/502,944**

(22) Filed: **Nov. 8, 2016**

(80) **Hague Agreement Data**

Int. Filing Date: **Nov. 8, 2016**  
Int. Reg. No.: **DM/093422**  
Int. Reg. Date: **Nov. 8, 2016**  
Int. Reg. Pub. Date: **May 12, 2017**

(Continued)

*Primary Examiner* — Barbara Fox

*Assistant Examiner* — Dana K Weiland

(74) *Attorney, Agent, or Firm* — Birch, Stewart, Kolasch & Birch, LLP

(30) **Foreign Application Priority Data**

May 16, 2016 (KR) ..... 30-2016-0023186

(51) **LOC (11) Cl.** ..... **14-03**

(52) **U.S. Cl.**  
USPC ..... **D14/239**

(58) **Field of Classification Search**  
USPC ..... D14/238, 239, 125–134, 371, 374–377,  
D14/440, 451, 336, 251–253, 447, 434,  
D14/432, 439, 457, 142, 217, 209.1;  
D6/300, 672, 407, 567; D8/349;  
D12/223, 420; D20/10, 19, 39;  
D16/242–245, 250, 214; D21/329, 515;  
D10/26  
CPC ..... F16M 11/00; F16M 11/04; F16M 11/043;  
F16M 11/10; F16M 13/00; H04M 1/04;  
H04M 1/06; G06F 1/1601; G06F 1/1643;  
H05K 5/0004; H05K 5/0017; H05K 5/02;  
H05K 5/0217

See application file for complete search history.

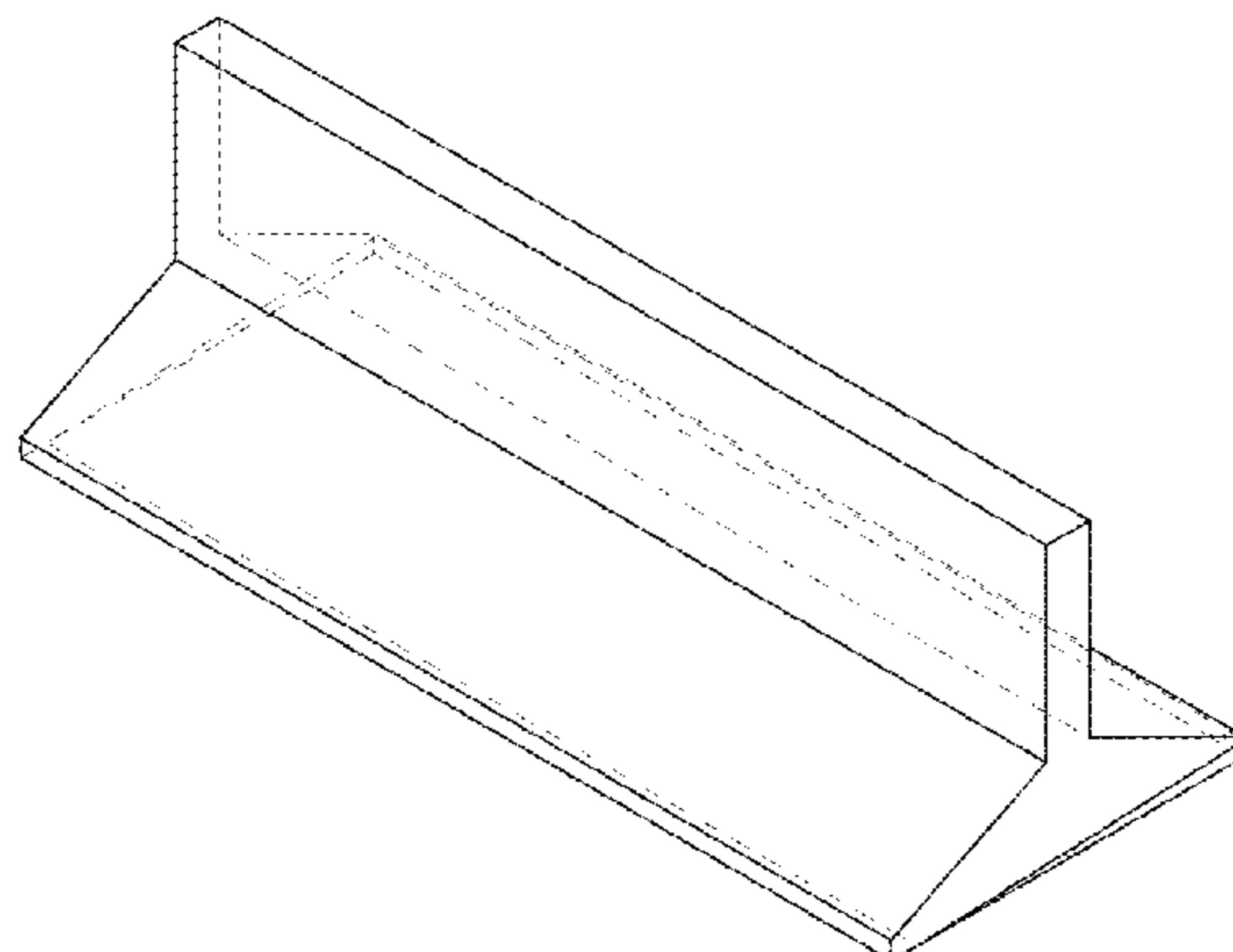
(57) **CLAIM**

The ornamental design for a stand for TV receiver, as shown and described.

**DESCRIPTION**

1. Stand for TV receiver
- 1.1 : Perspective
- 1.2 : Front
- 1.3 : Back
- 1.4 : Left
- 1.5 : Right
- 1.6 : Top
- 1.7 : Bottom

**1 Claim, 4 Drawing Sheets**



(56)

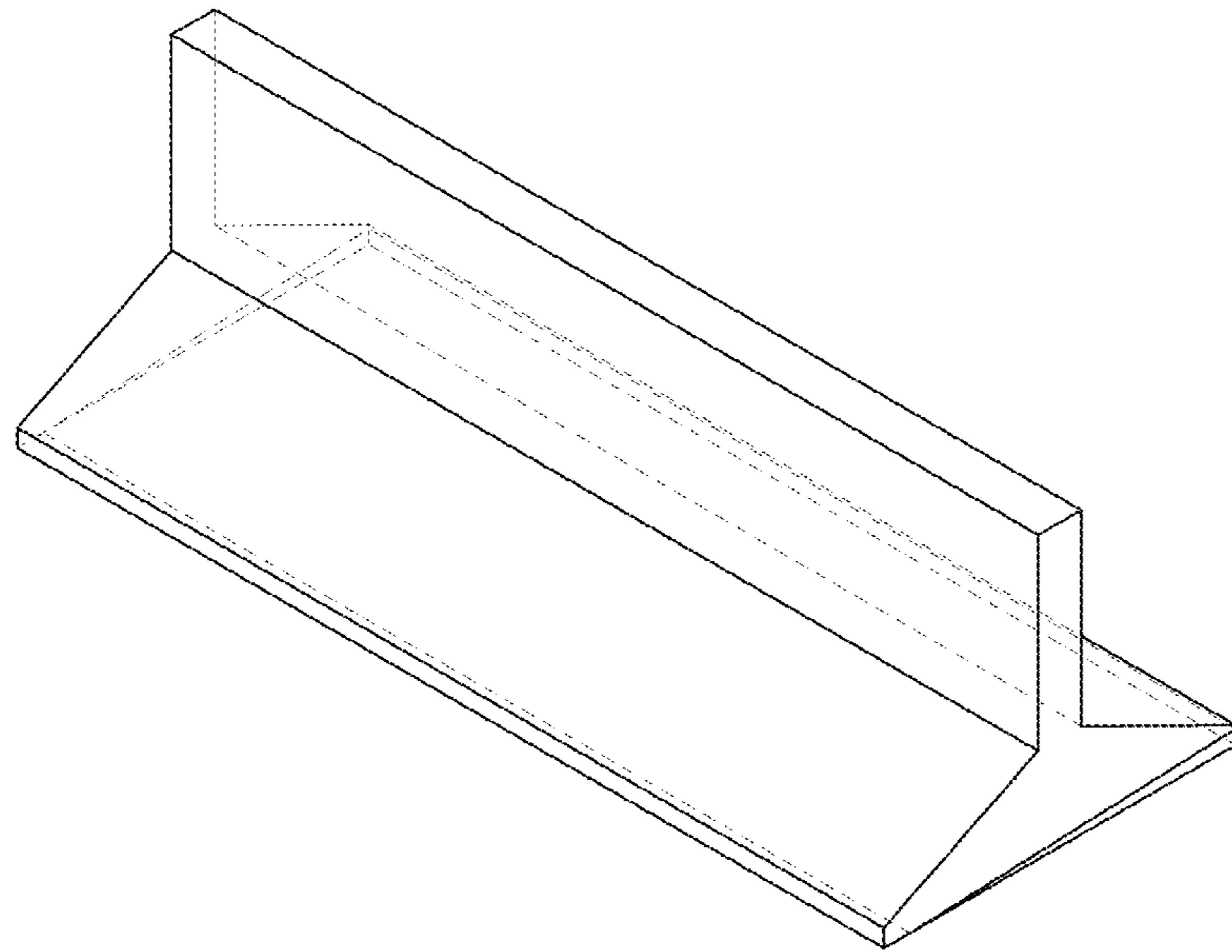
**References Cited**

U.S. PATENT DOCUMENTS

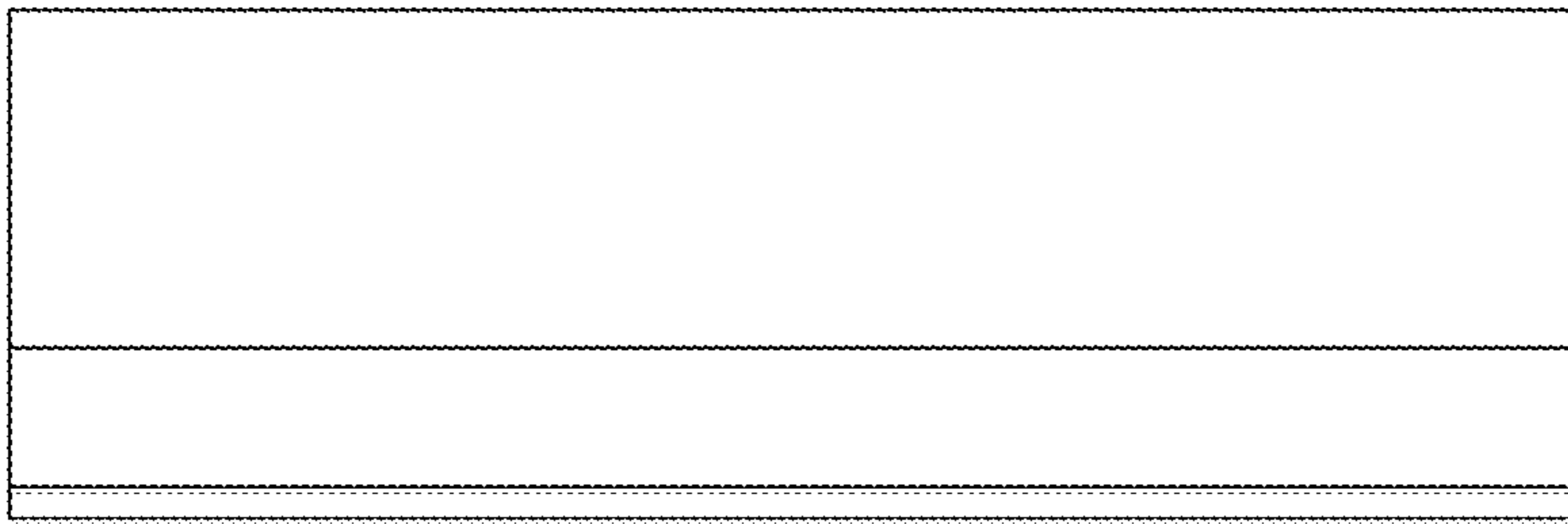
D762,625 S \* 8/2016 Yoo ..... D14/126  
D768,639 S \* 10/2016 Sumii ..... D14/447  
D770,997 S \* 11/2016 Kang ..... D14/126  
D772,229 S \* 11/2016 Petit-Huguenin ..... D14/358  
D776,072 S \* 1/2017 Kim ..... D14/126  
D796,975 S \* 9/2017 Jou ..... D10/106.6  
D805,086 S \* 12/2017 Sparks ..... D14/471  
D805,911 S \* 12/2017 Borer ..... D9/561  
D808,352 S \* 1/2018 Won ..... D14/125  
D817,313 S \* 5/2018 Horito ..... D14/240  
D821,342 S \* 6/2018 Kim ..... D14/126  
2005/0255895 A1 \* 11/2005 Lee ..... G06F 1/1632  
455/573  
2017/0187980 A1 \* 6/2017 LV ..... H04N 5/655  
2018/0080599 A1 \* 3/2018 Heckler ..... F16M 11/22

\* cited by examiner

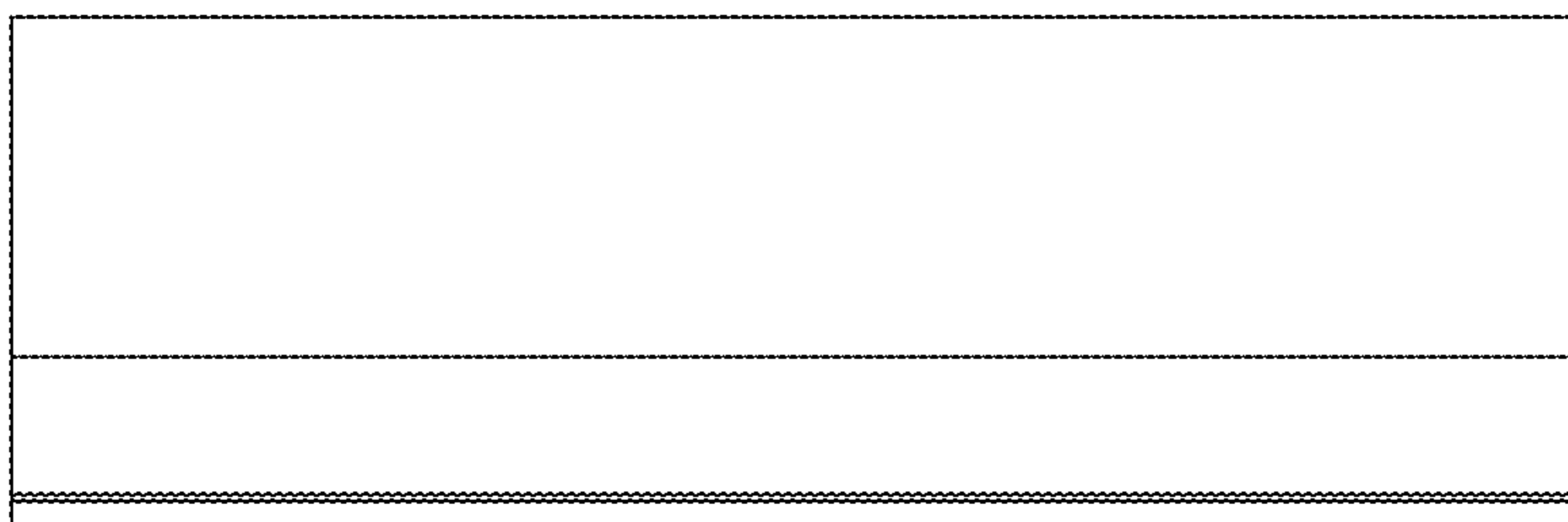
1.1



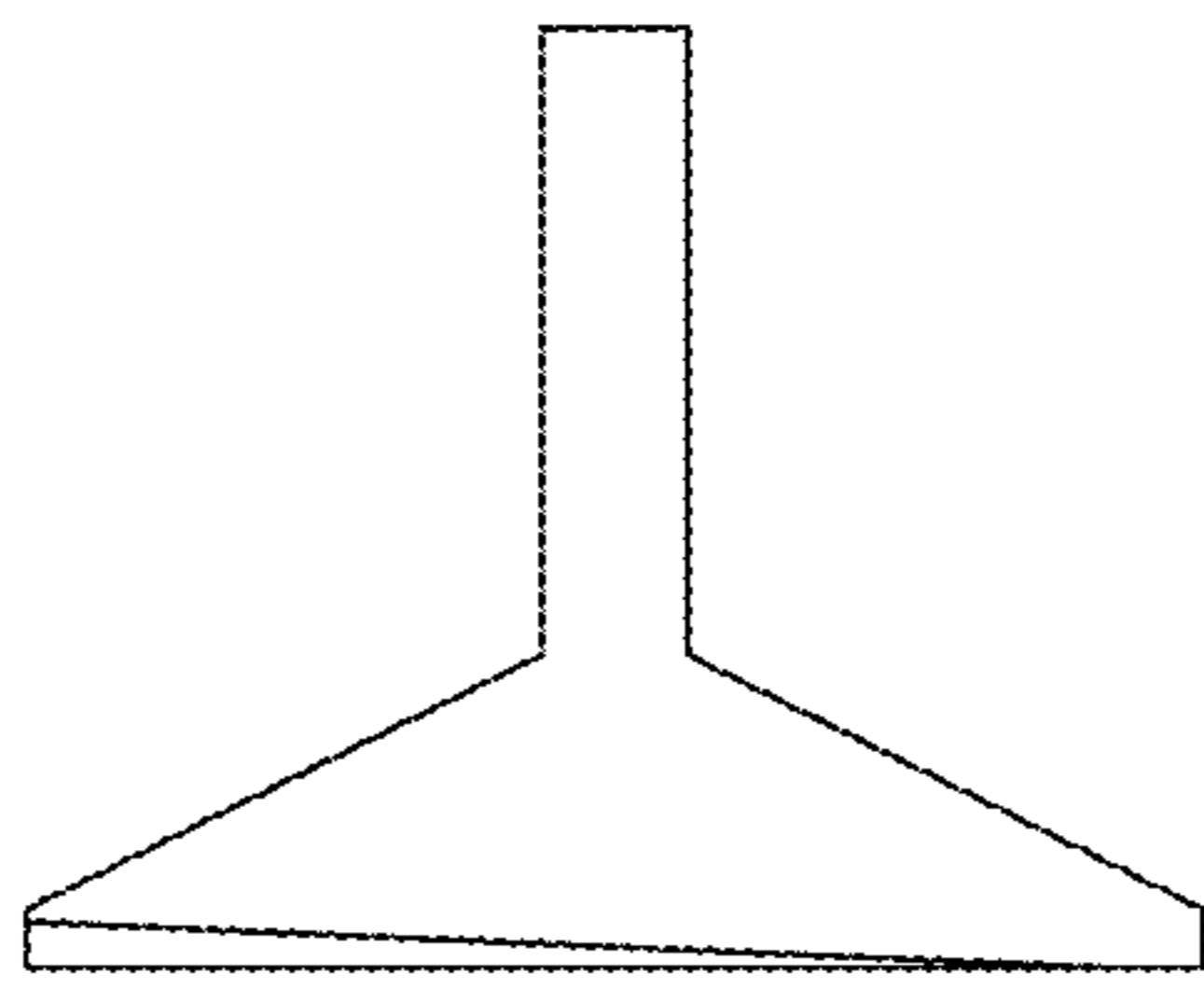
1.2



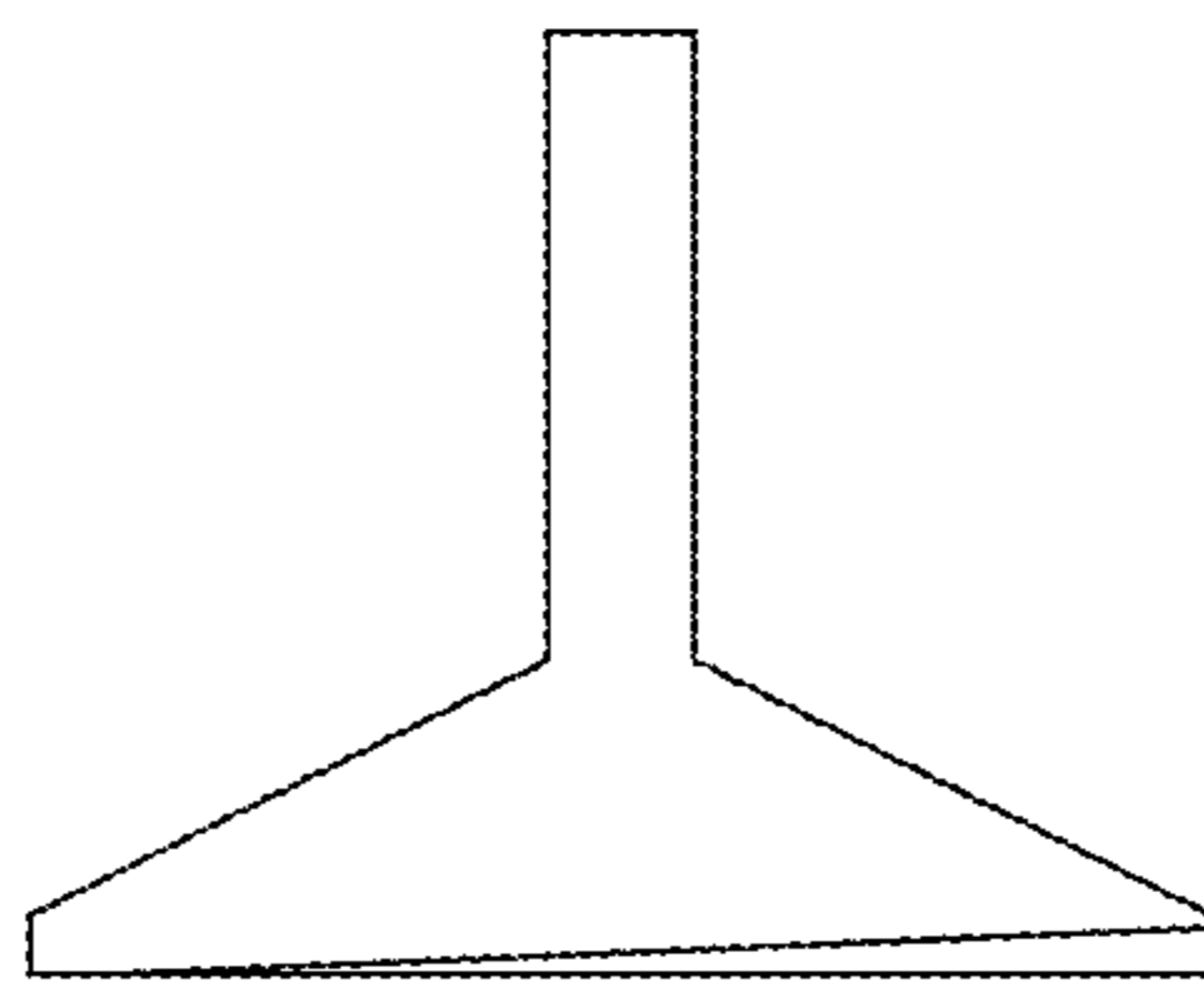
1.3



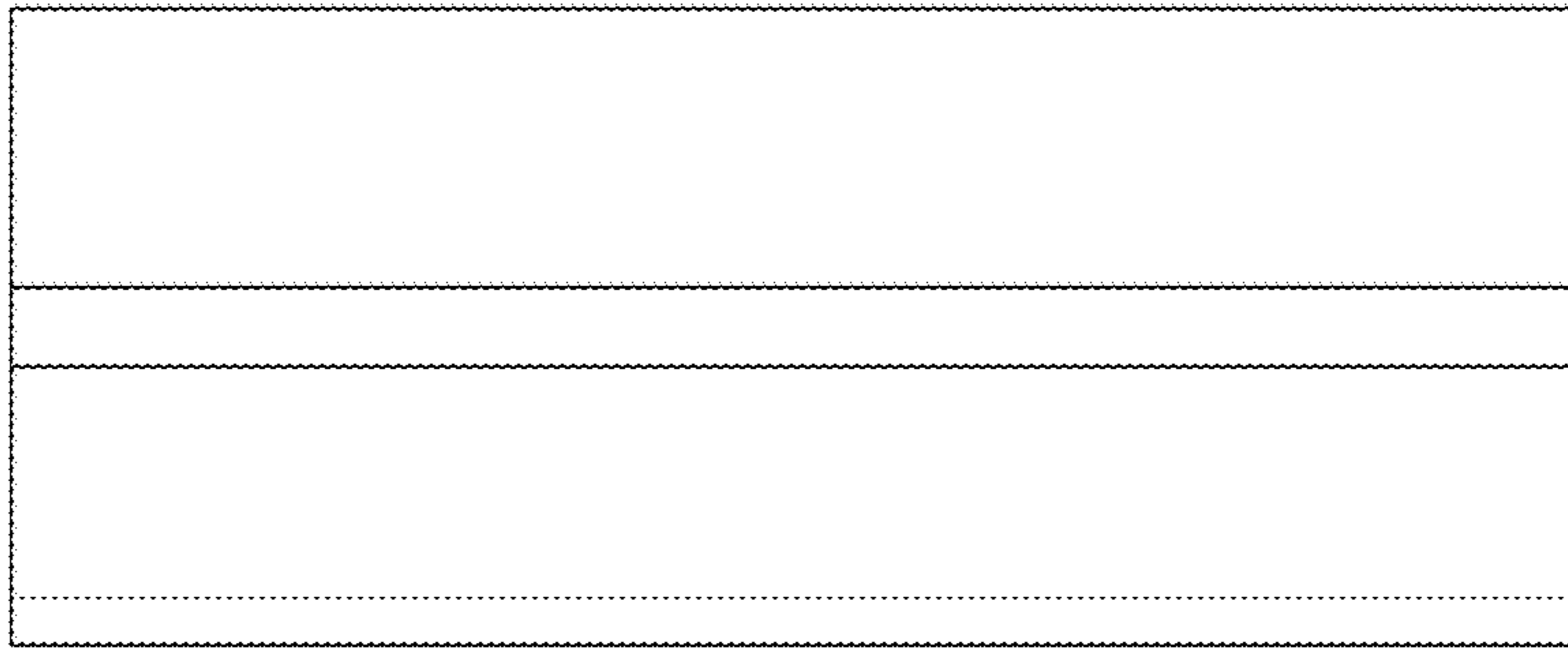
1.4



1.5



1.6



1.7

