

US00D835082S

(12) **United States Design Patent** (10) **Patent No.:** **US D835,082 S**
So et al. (45) **Date of Patent:** **** Dec. 4, 2018**

(54) **TELEVISION RECEIVER**

(71) Applicant: **Samsung Electronics Co., Ltd.**,
Suwon-si (KR)

(72) Inventors: **Kwanghyuck So**, Seoul (KR); **Seungho Lee**, Guri-si (KR); **Kyubok Lee**, Seoul (KR)

(73) Assignee: **SAMSUNG ELECTRONICS CO., LTD.**, Suwon-si (KR)

(**) Term: **15 Years**

(21) Appl. No.: **29/609,085**

(22) Filed: **Jun. 28, 2017**

(30) **Foreign Application Priority Data**

Dec. 28, 2016 (KR) 30-2016-0063996

(51) **LOC (11) Cl.** **14-03**

(52) **U.S. Cl.**
USPC **D14/239**; D14/126

(58) **Field of Classification Search**
USPC D14/125-134, 239, 371, 136, 374-377,
D14/440, 450, 448, 336, 342, 159;
(Continued)

(56) **References Cited**

U.S. PATENT DOCUMENTS

D746,602 S * 1/2016 Olson D6/300
D763,235 S * 8/2016 Brown D14/239
D775,841 S * 1/2017 Vanderheyden D6/300

FOREIGN PATENT DOCUMENTS

KR 30-0506663 9/2008
KR 30-0626776 12/2011
KR 30-0725359 1/2015

* cited by examiner

Primary Examiner — Randall H Gholson

(74) *Attorney, Agent, or Firm* — McAndrews Held & Malloy, Ltd.

(57) **CLAIM**

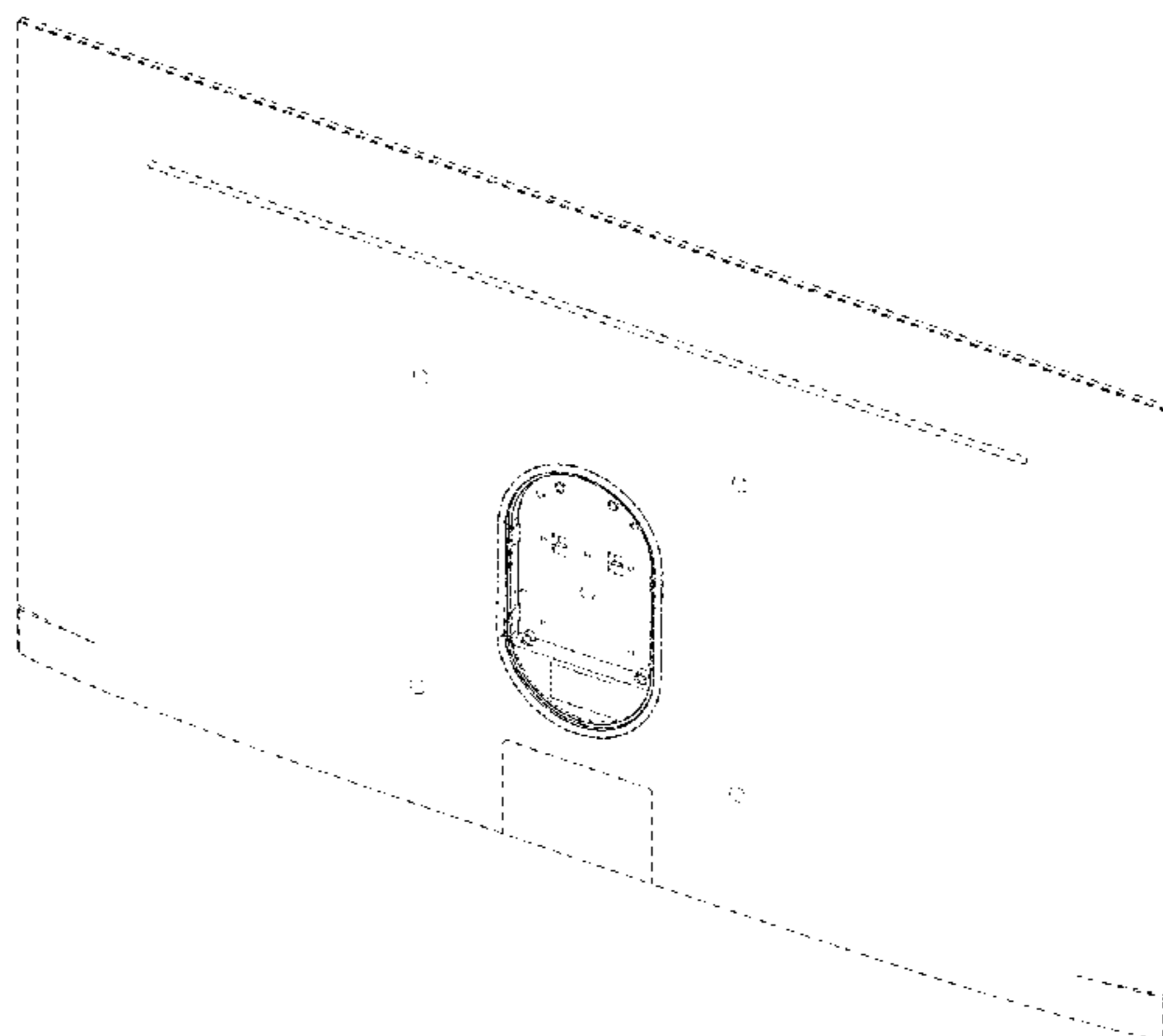
The ornamental design for a television receiver, as shown and described.

DESCRIPTION

FIG. 1 is a rear perspective view of a television receiver showing our new design according to a first embodiment; FIG. 2 is a front elevation view thereof; FIG. 3 is a rear elevation view thereof; FIG. 4 is a left side elevation view thereof; FIG. 5 is a right side elevation view thereof; FIG. 6 is a top plan view thereof; FIG. 7 is a bottom plan view thereof; and FIG. 8 is an enlarged view of the claimed portion shown in FIG. 1; FIG. 9 is an enlarged view of the claimed portion shown in FIG. 3; FIG. 10 is an exploded rear perspective view thereof, showing a stand in broken lines to provide example environment; FIG. 11 is another exploded rear perspective view thereof, showing a wall mount bracket and a portion of a wall in broken lines to provide example environment; FIG. 12 is a rear perspective view of a television receiver showing our new design according to a second embodiment; FIG. 13 is a front elevation view thereof; FIG. 14 is a rear elevation view thereof; FIG. 15 is a left side elevation view thereof; FIG. 16 is a right side elevation view thereof; FIG. 17 is a top plan view thereof; FIG. 18 is a bottom plan view thereof; FIG. 19 is an enlarged view of the claimed portion shown in FIG. 12; and, FIG. 20 is an enlarged view of the claimed portion shown in FIG. 14.

The dashed broken lines showing of a stand, a wall mount bracket, and a wall in FIGS. 10-11 illustrate example environment that forms no part of the claimed design. The remaining dashed broken lines in the figures illustrate portions of the television receiver that form no part of the

(Continued)



claimed design. The dot-dash broken lines in the drawings illustrate a boundary of the claimed design and form no part of the claimed design.

1 Claim, 18 Drawing Sheets

(58) Field of Classification Search

USPC 312/7.2; 348/836, 838, 180, 184, 325,
348/739; 248/917-924, 465; 345/104,
345/133, 156, 168, 87, 173; D21/329,
D21/515, 577, 622, 333, 433, 448, 452,
D21/450, 331, 505; D10/15, 26;
446/484, 175, 356; D6/477, 479, 300;
D20/10, 19, 39; D16/203, 241; 160/24
CPC ... G06F 1/1601; G06F 1/1643; G06F 1/1652;
G06F 1/1647; G06F 3/0412; H05K
5/0004; H05K 5/0017; H05K 5/02; H05K
5/0217; H04N 13/0459

See application file for complete search history.

FIG. 1

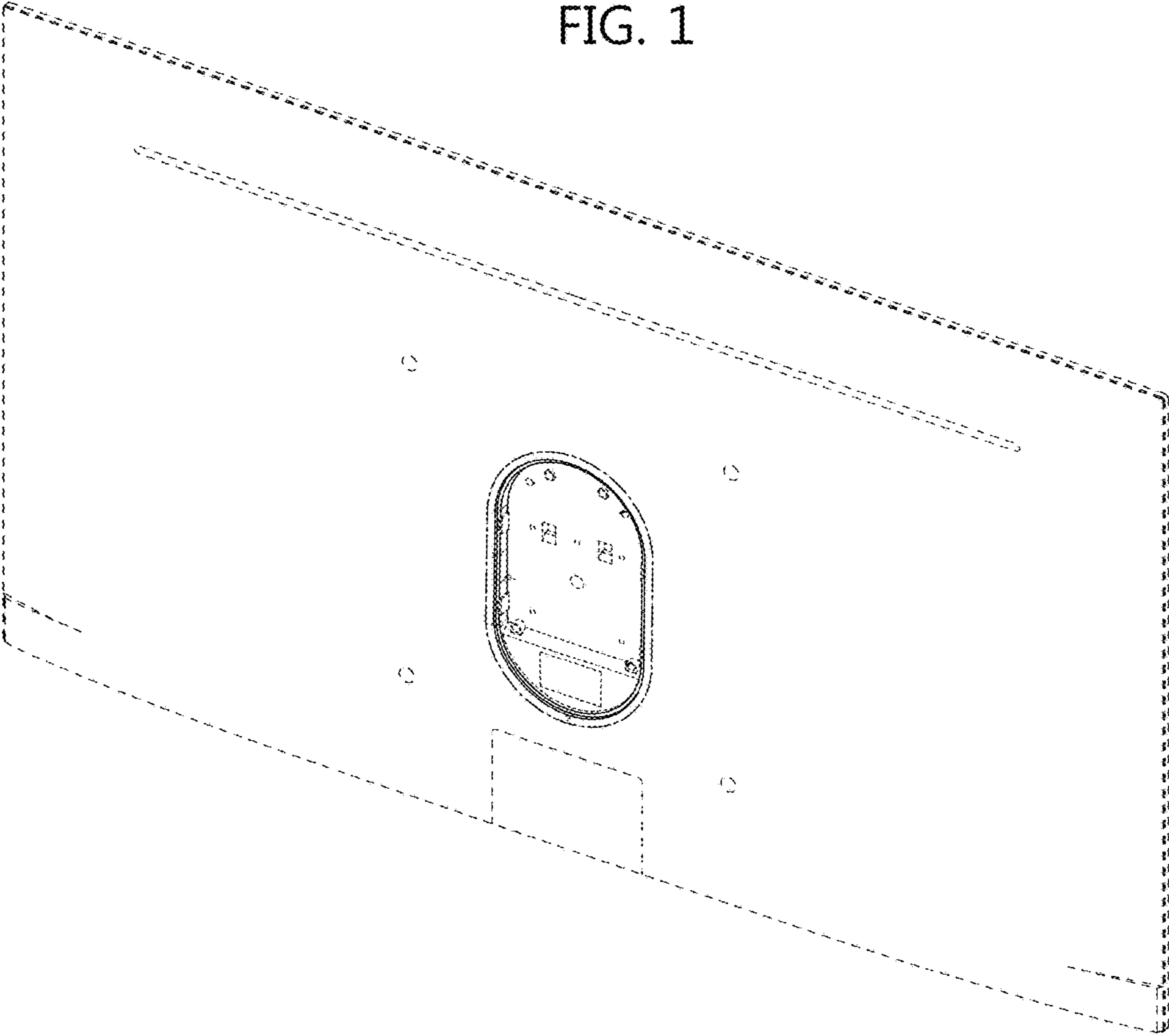


FIG. 2

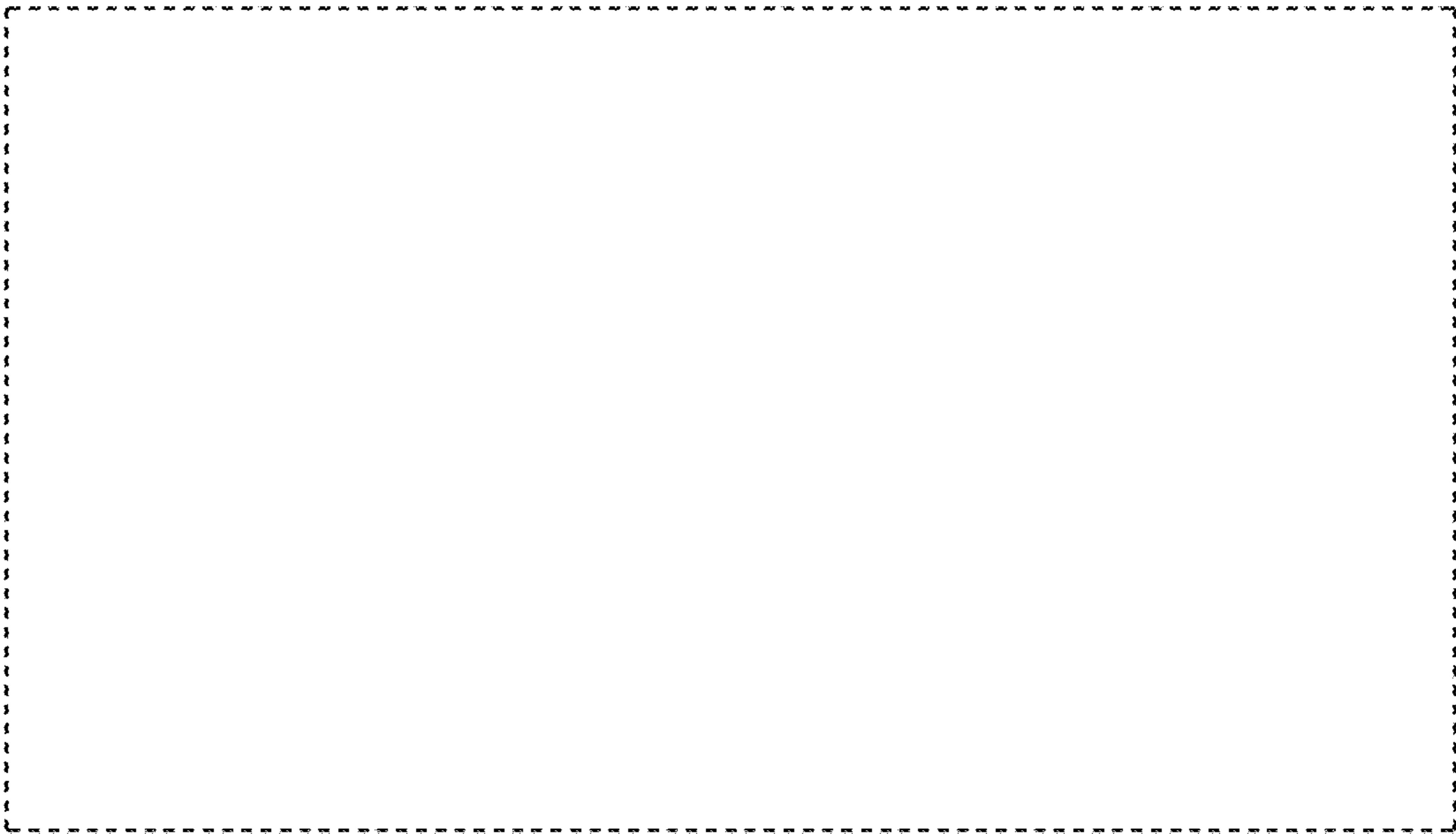


FIG. 3

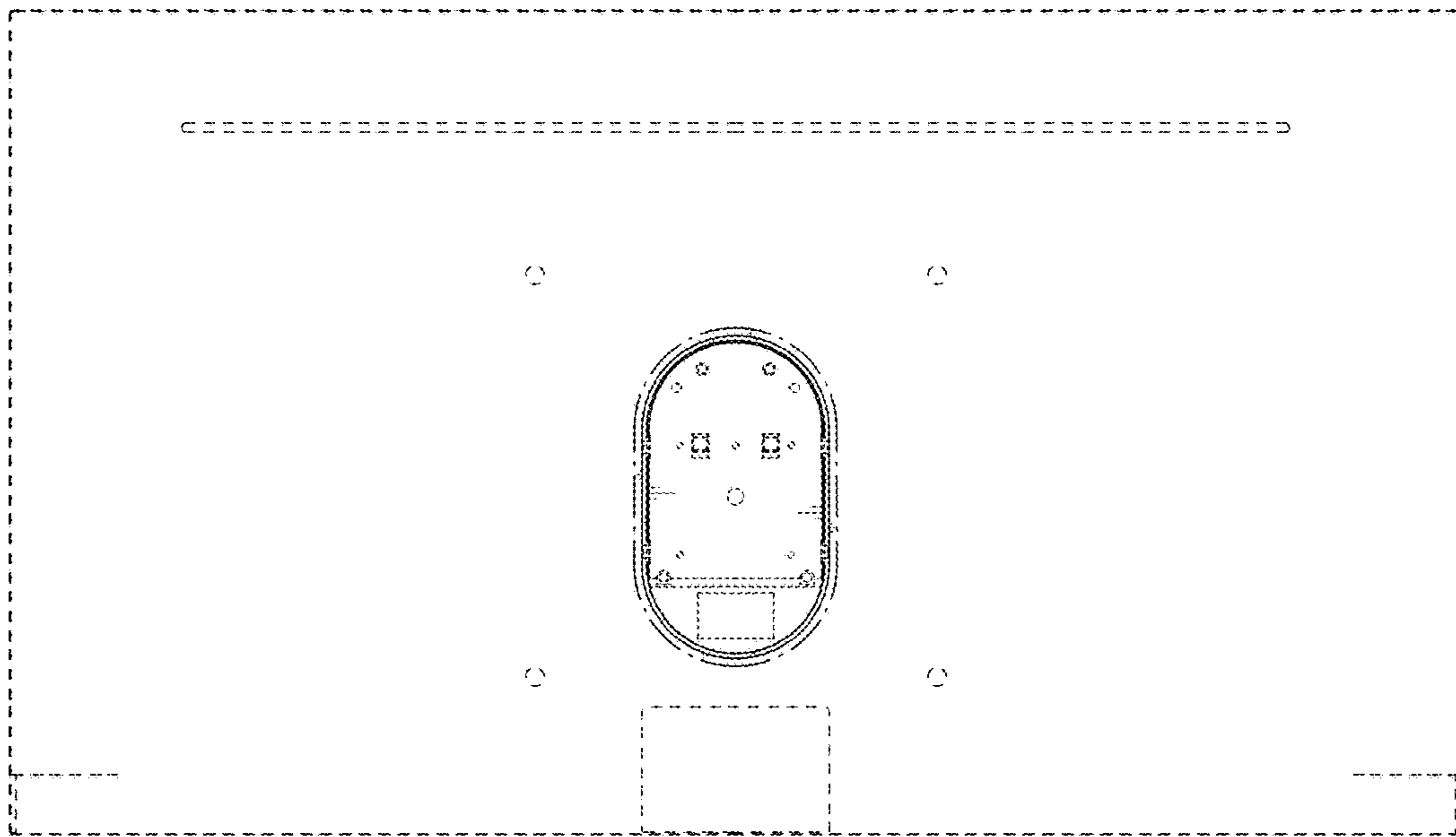


FIG. 4

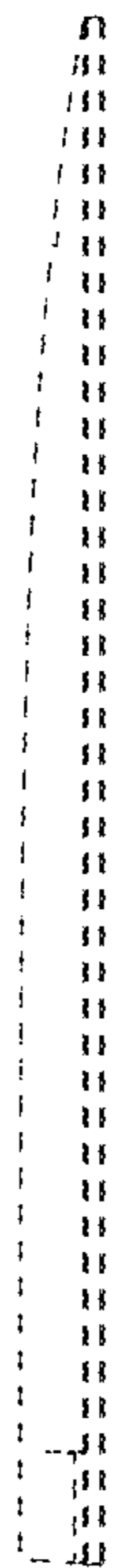


FIG. 5

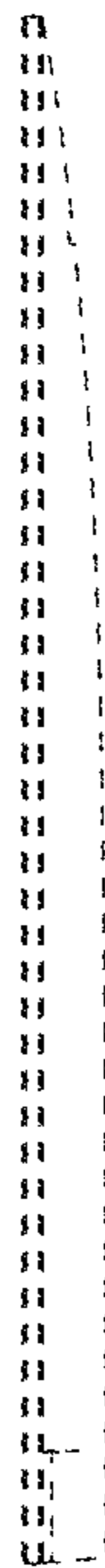


FIG. 6

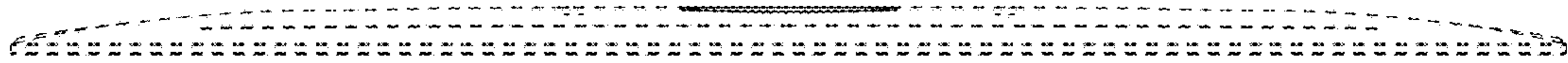


FIG. 7

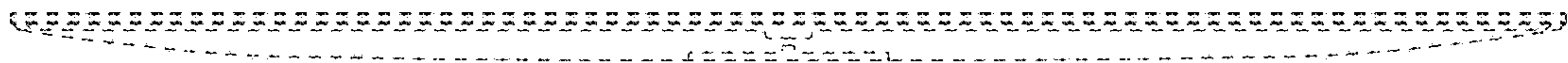


FIG. 8

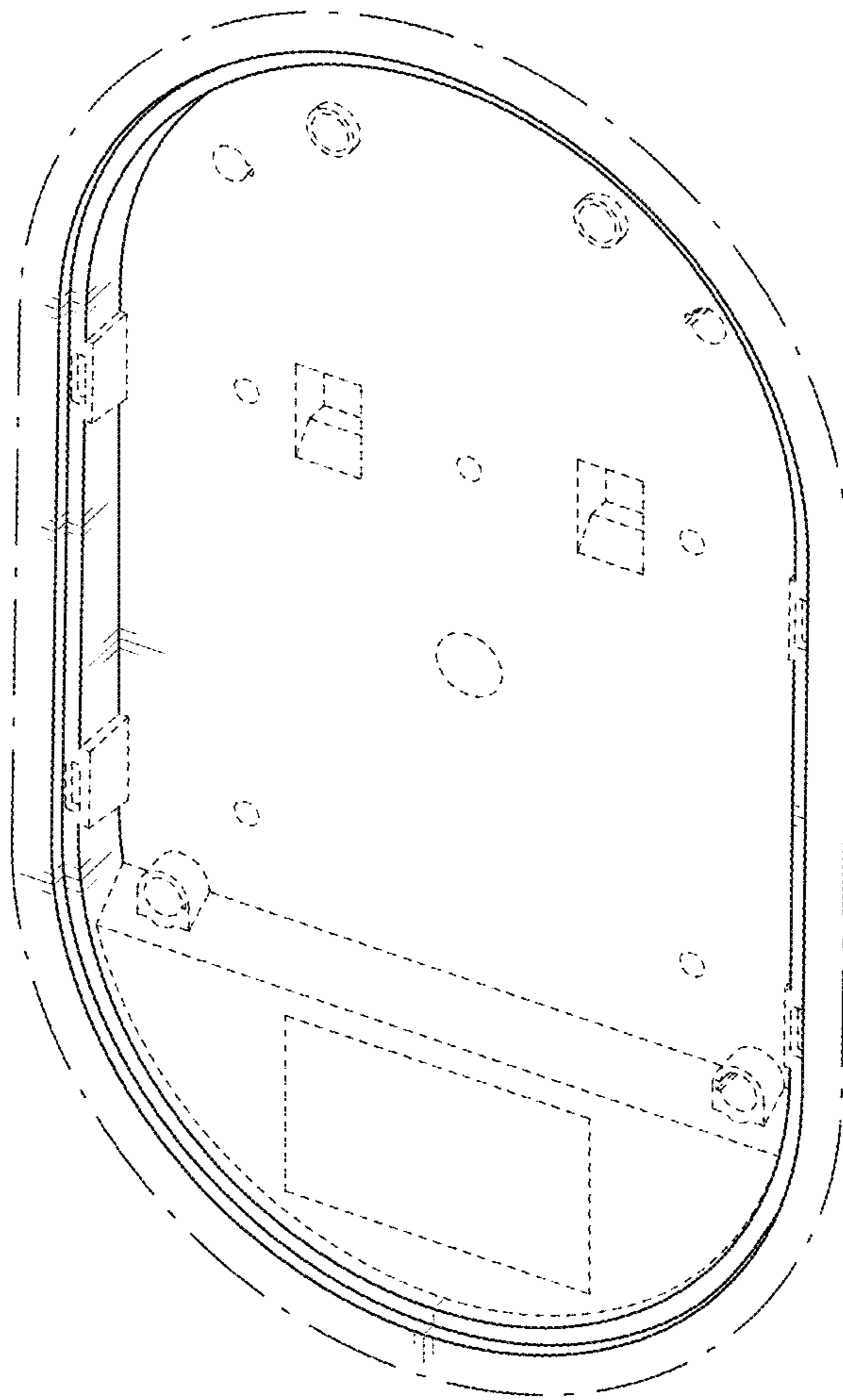


FIG. 9

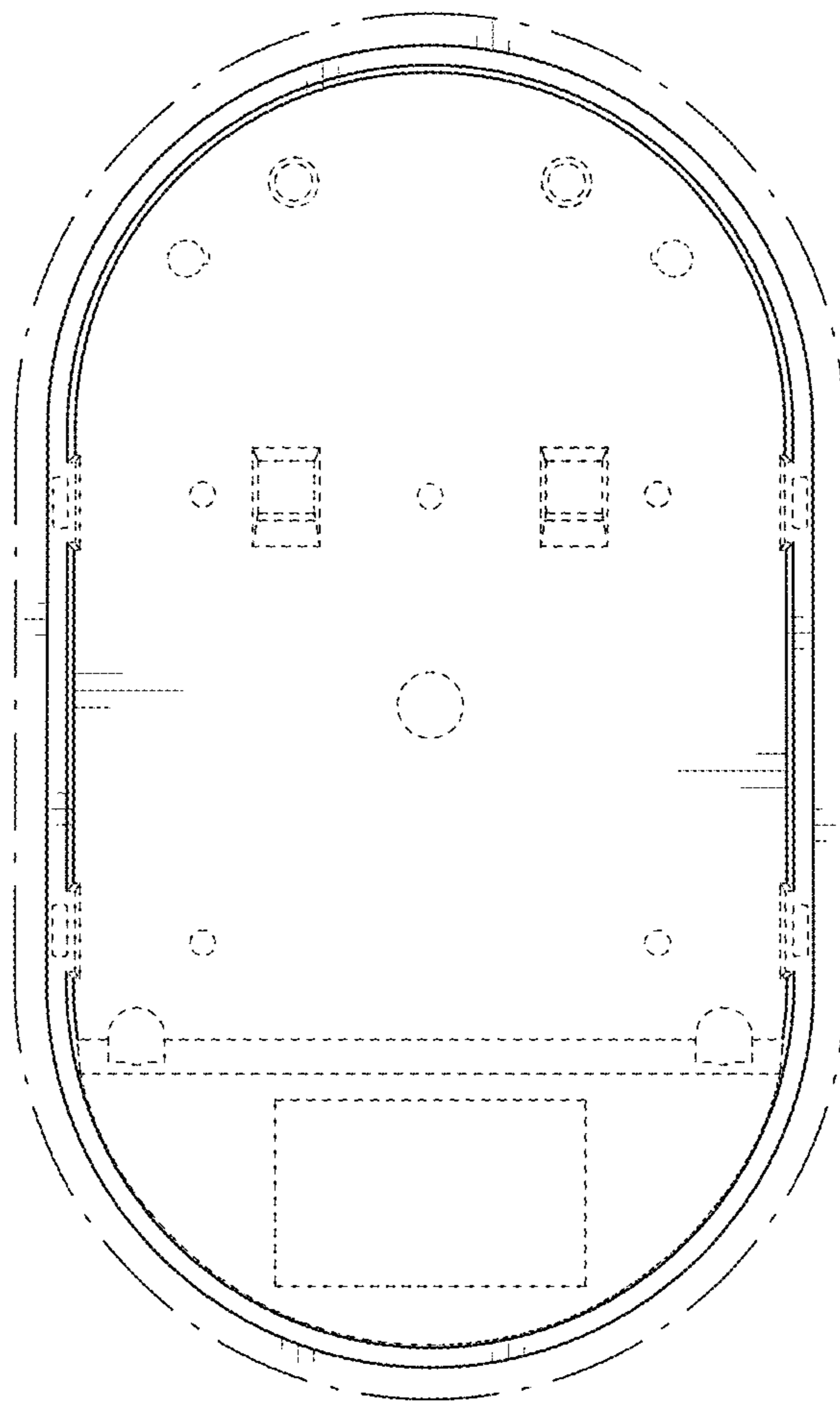


FIG. 10

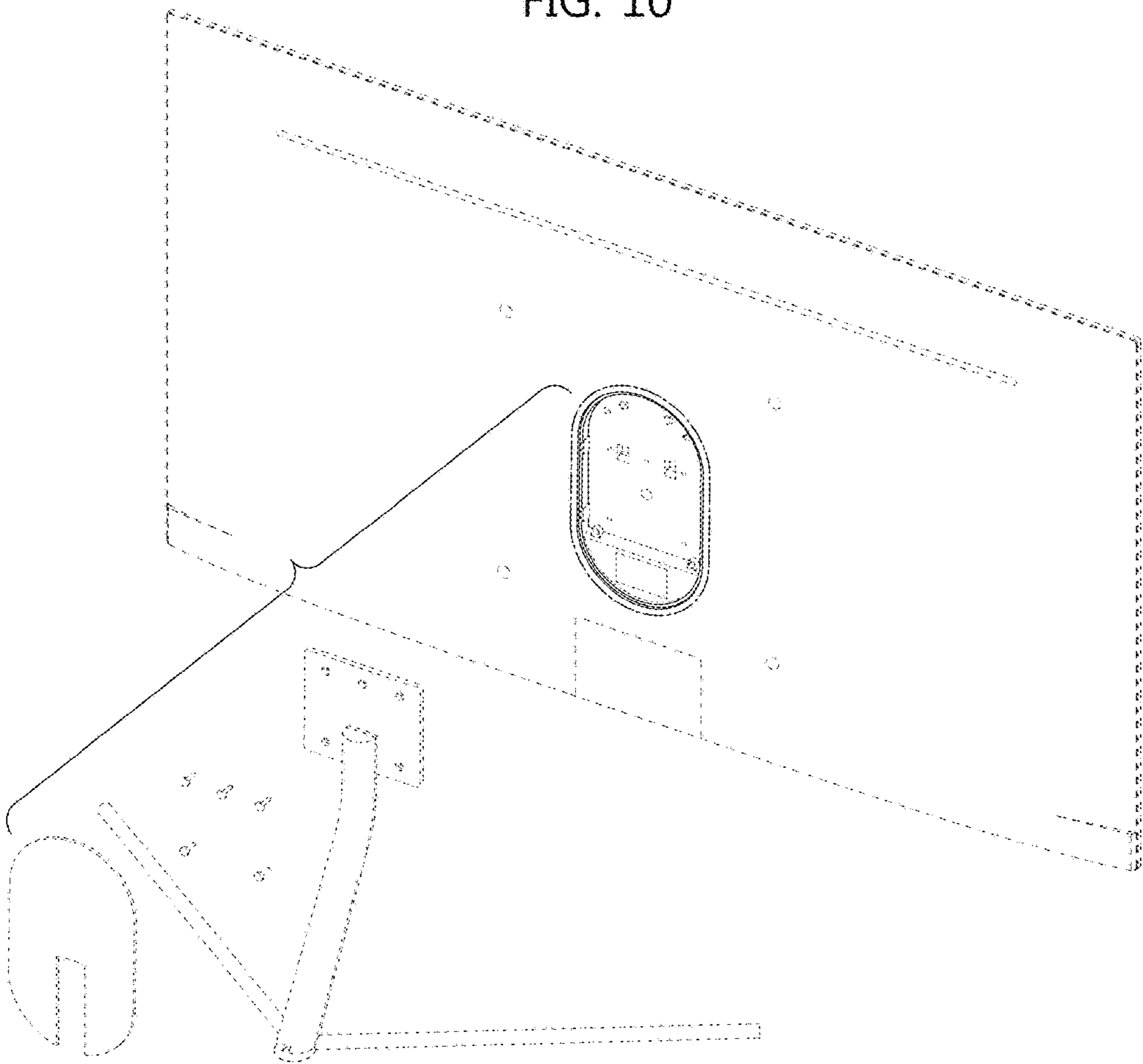


FIG. 11

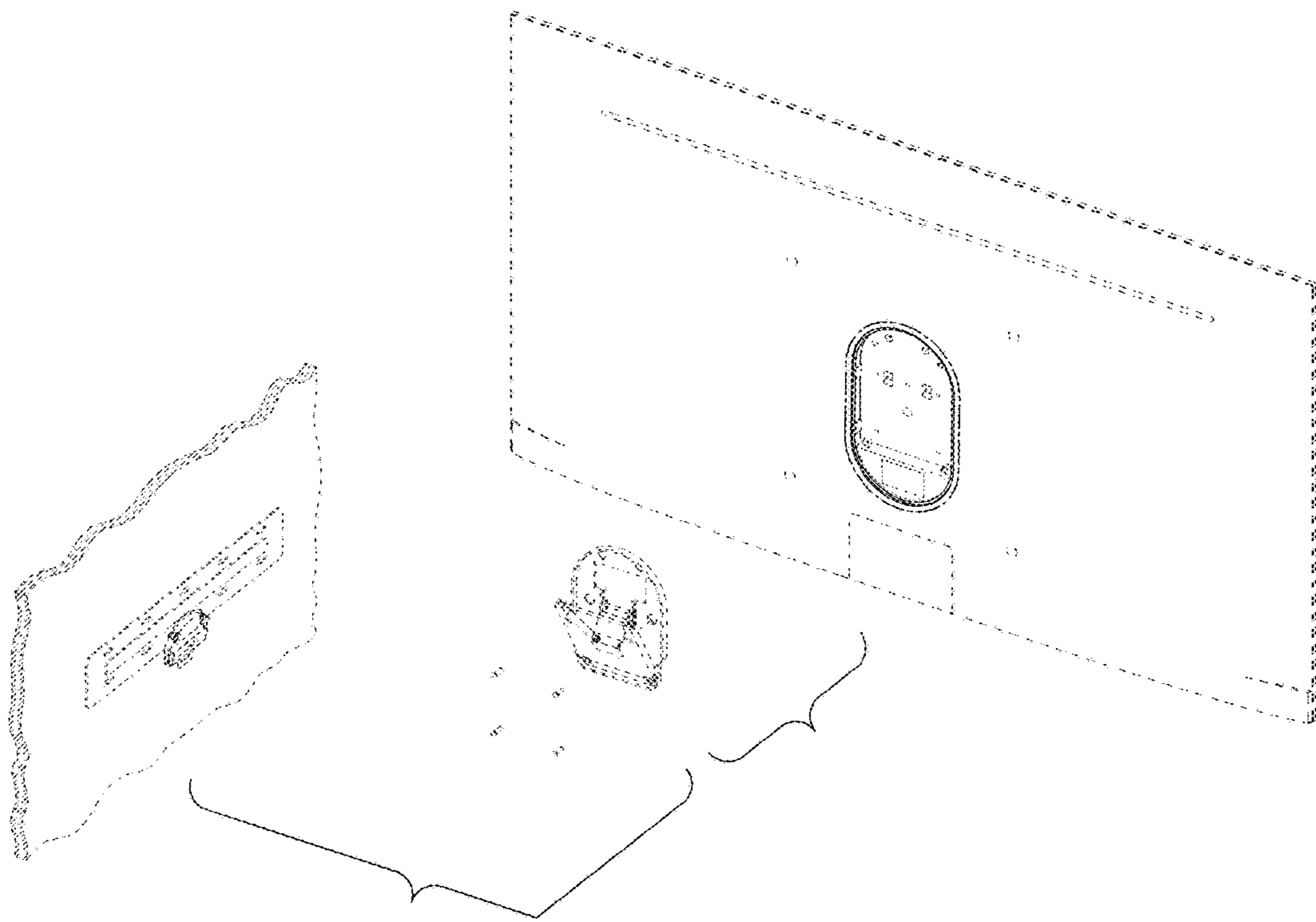


FIG. 12

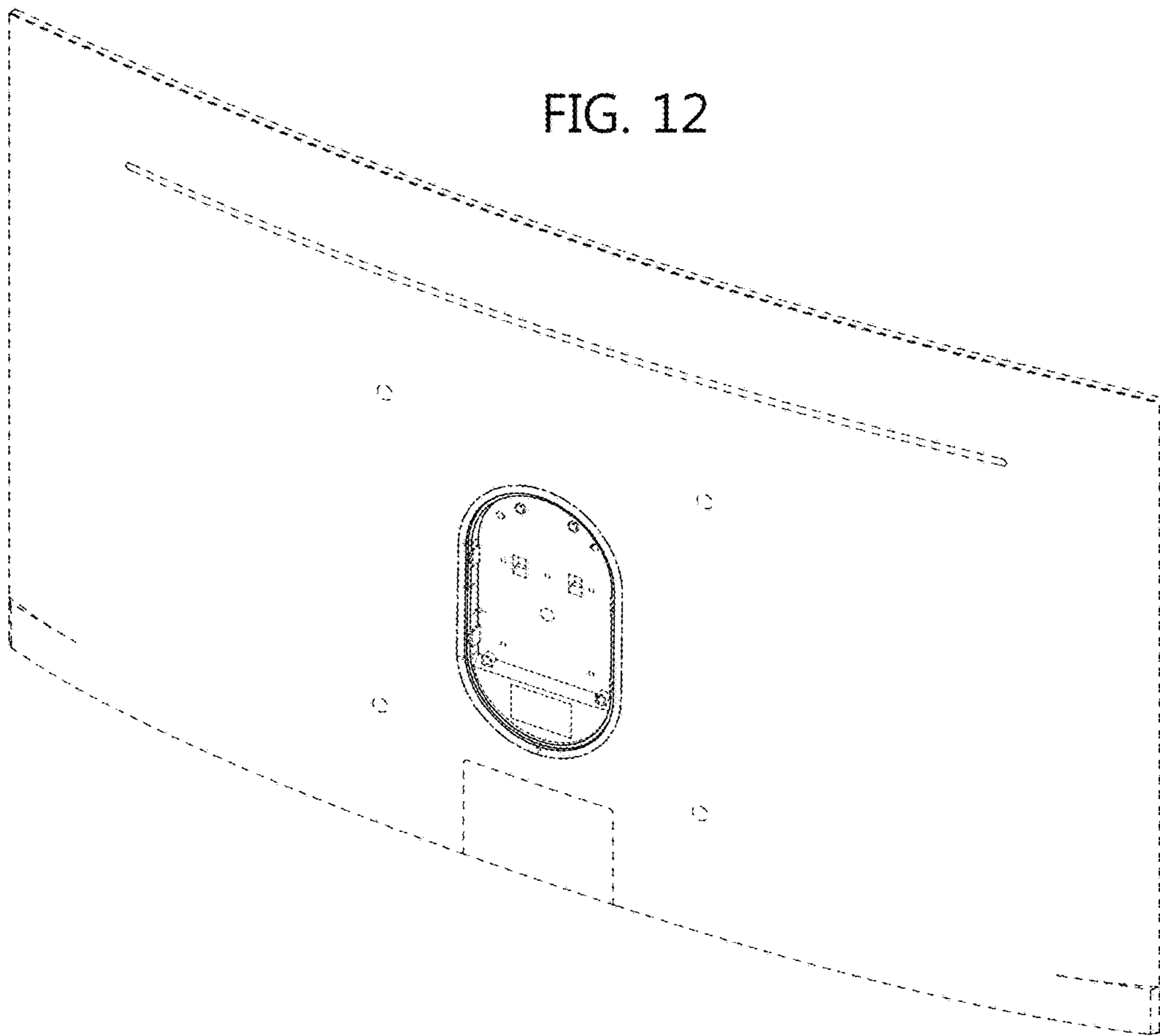


FIG. 13



FIG. 14

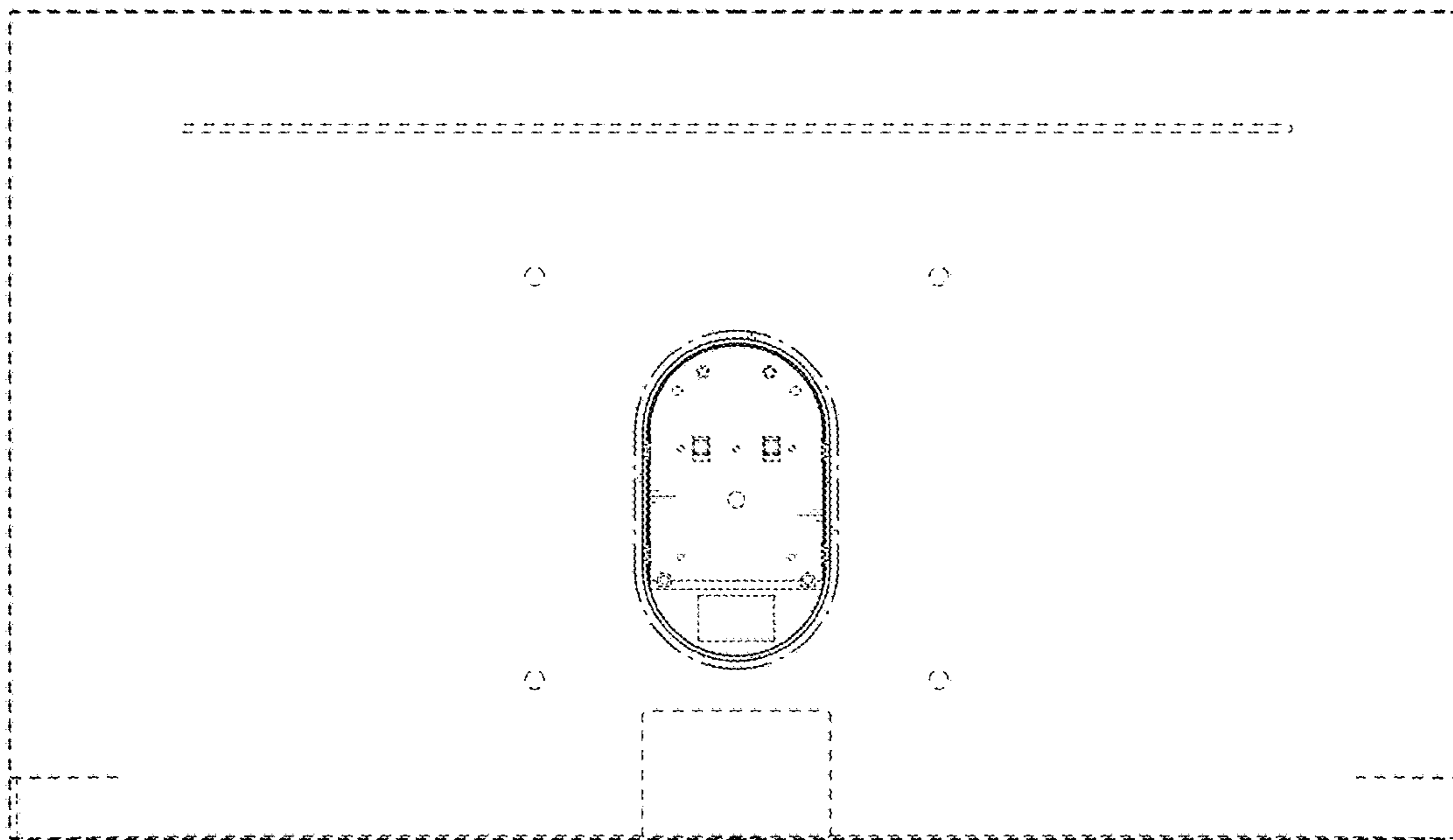


FIG. 15

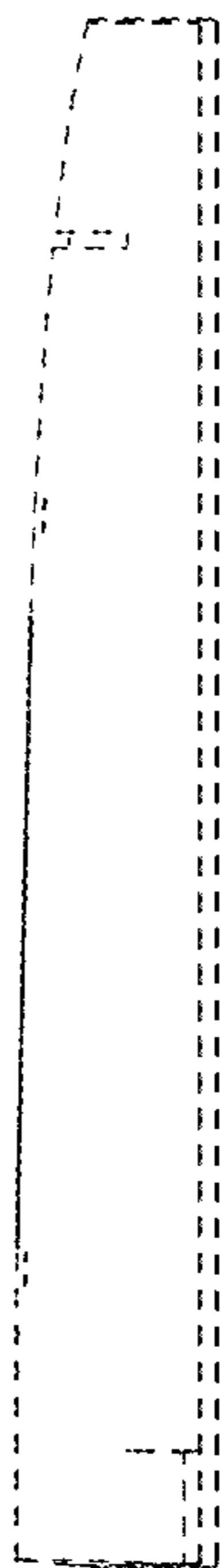


FIG. 16

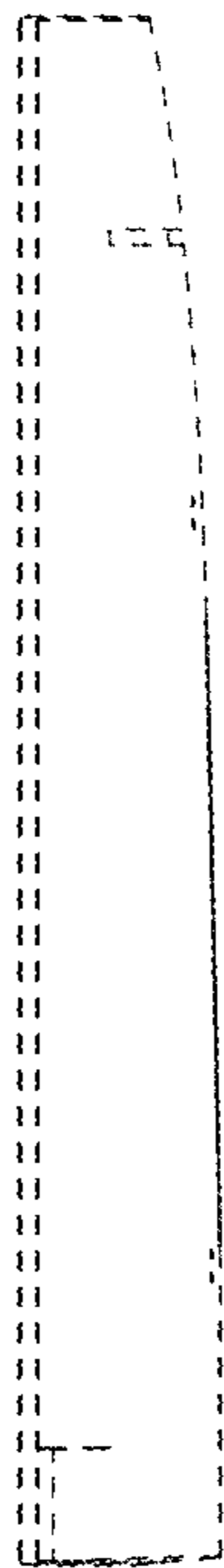


FIG. 17

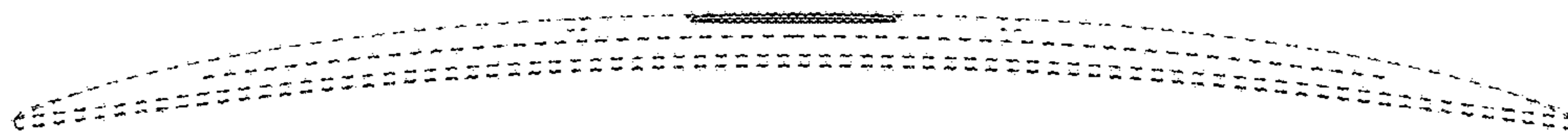


FIG. 18



FIG. 19

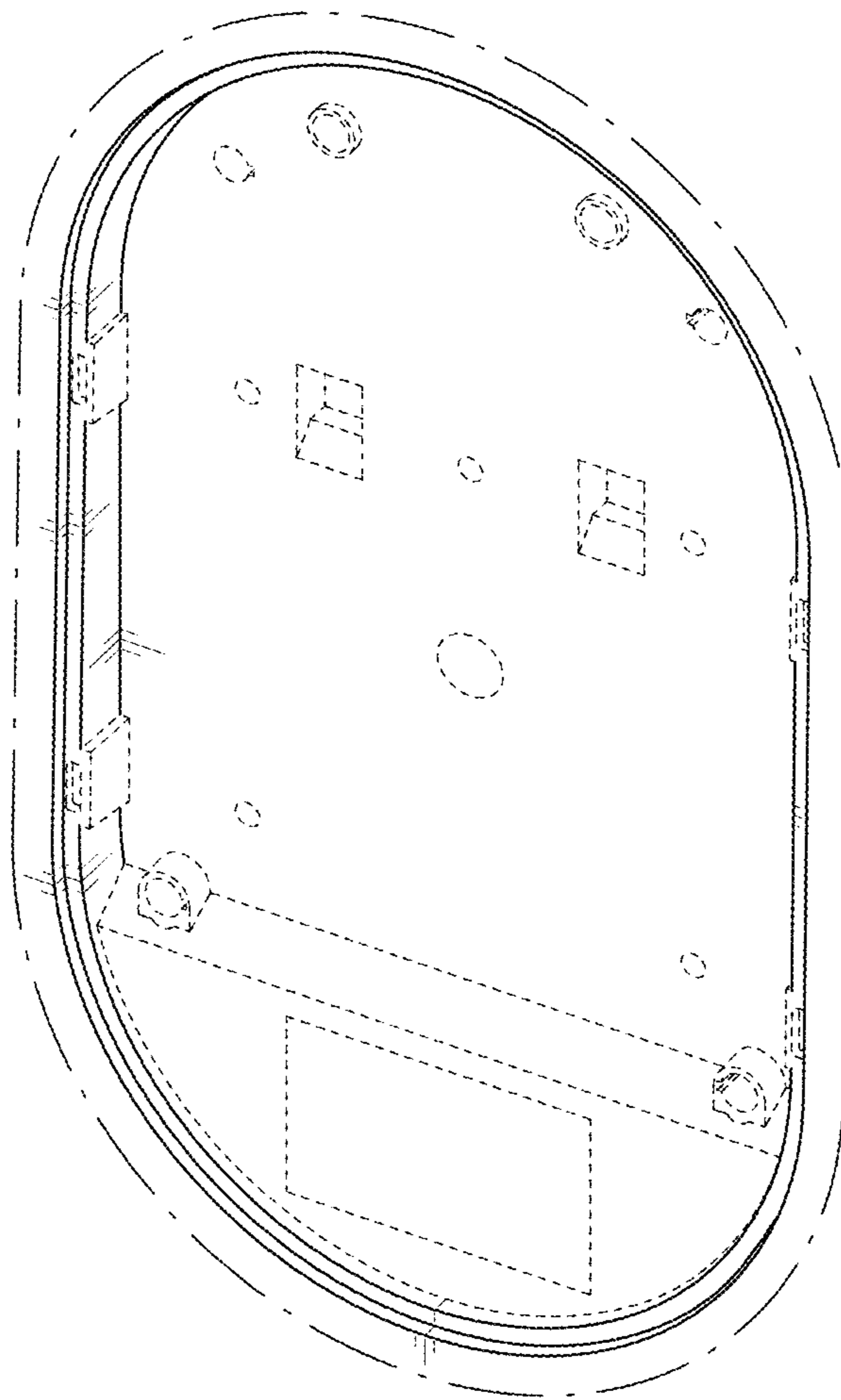


FIG. 20

