



US00D835081S

(12) **United States Design Patent** (10) **Patent No.:** **US D835,081 S**
Luo (45) **Date of Patent:** **** Dec. 4, 2018**

(54) **HEADSET CASE**
(71) Applicant: **Rongjun Luo**, Shenzhen (CN)
(72) Inventor: **Rongjun Luo**, Shenzhen (CN)
(**) Term: **15 Years**
(21) Appl. No.: **29/626,081**
(22) Filed: **Nov. 15, 2017**
(51) **LOC (11) Cl.** **14-01**
(52) **U.S. Cl.**
USPC **D14/229**
(58) **Field of Classification Search**
USPC D14/224-229; D16/244; D17/99;
D6/681; 248/125.1, 166, 185.1;
381/355, 359, 361-363, 365, 366, 369,
381/375; 379/428.01, 428.04, 431,
379/433.03; D10/104.1
CPC . H04R 25/00; H04R 1/02; H04R 5/02; H04R
9/08; F16M 11/38; F16M 13/00; F16M
11/00
See application file for complete search history.

D696,223 S * 12/2013 Will D14/155
D707,651 S * 6/2014 Tsai D14/191
D726,134 S * 4/2015 Prendes D10/104.1
D738,357 S * 9/2015 Khairudin D14/226
D777,592 S * 1/2017 Benoit D10/104.1
D778,264 S * 2/2017 Stapelbroek D14/218
D785,603 S * 5/2017 Tran D14/226
D801,840 S * 11/2017 Dwyer D10/104.1

* cited by examiner

Primary Examiner — Katie Jane Stofko

(57) **CLAIM**

The ornamental design for a headset case, as shown and described.

DESCRIPTION

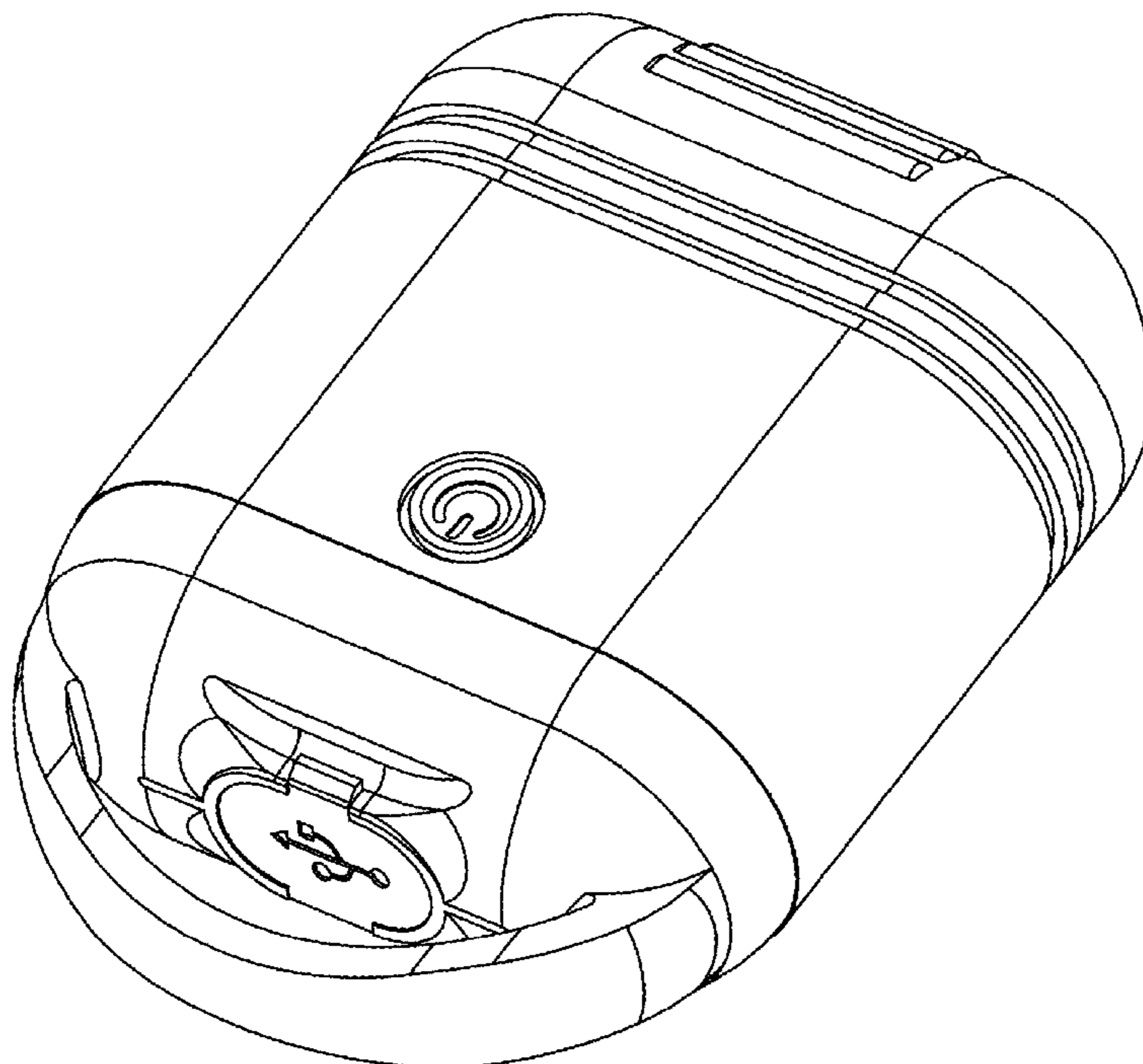
FIG. 1 is a front elevational view of a headset case showing my new design;
FIG. 2 is a rear elevational view thereof;
FIG. 3 is a left side view thereof;
FIG. 4 is a right side view thereof;
FIG. 5 is a top plan view thereof;
FIG. 6 is a bottom plan view thereof;
FIG. 7 is a perspective view thereof; and,
FIG. 8 is another perspective view thereof.
The broken lines shown in FIGS. 6 and 8 form no part of the claimed design.

(56) **References Cited**

U.S. PATENT DOCUMENTS

D373,318 S * 9/1996 Berch D10/106.1
D569,853 S * 5/2008 Nishida D14/225
D577,010 S * 9/2008 Wilson D14/225
D577,708 S * 9/2008 von Meiss D14/158
D615,438 S * 5/2010 Goetzl D10/104.1

1 Claim, 6 Drawing Sheets



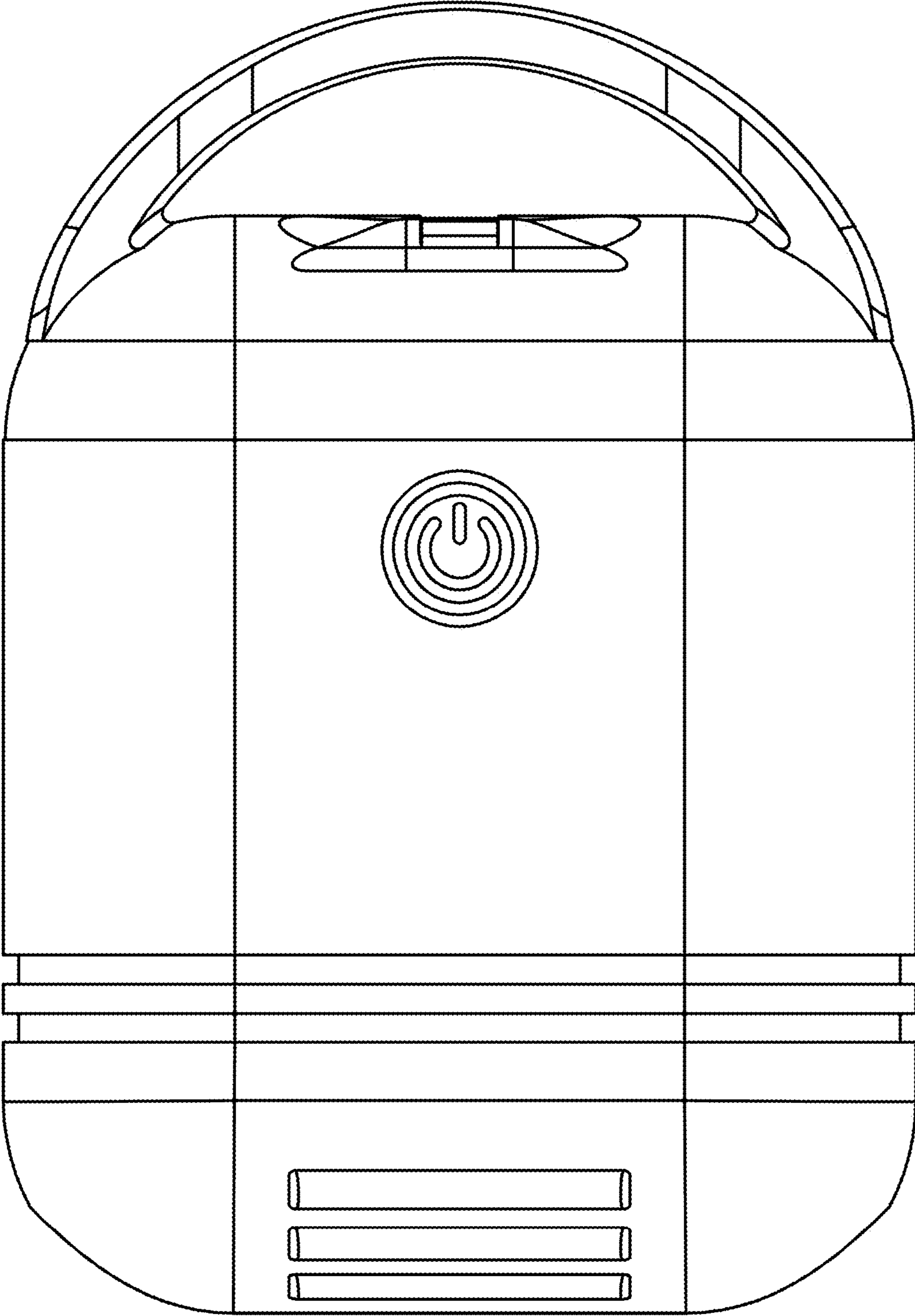


FIG. 1

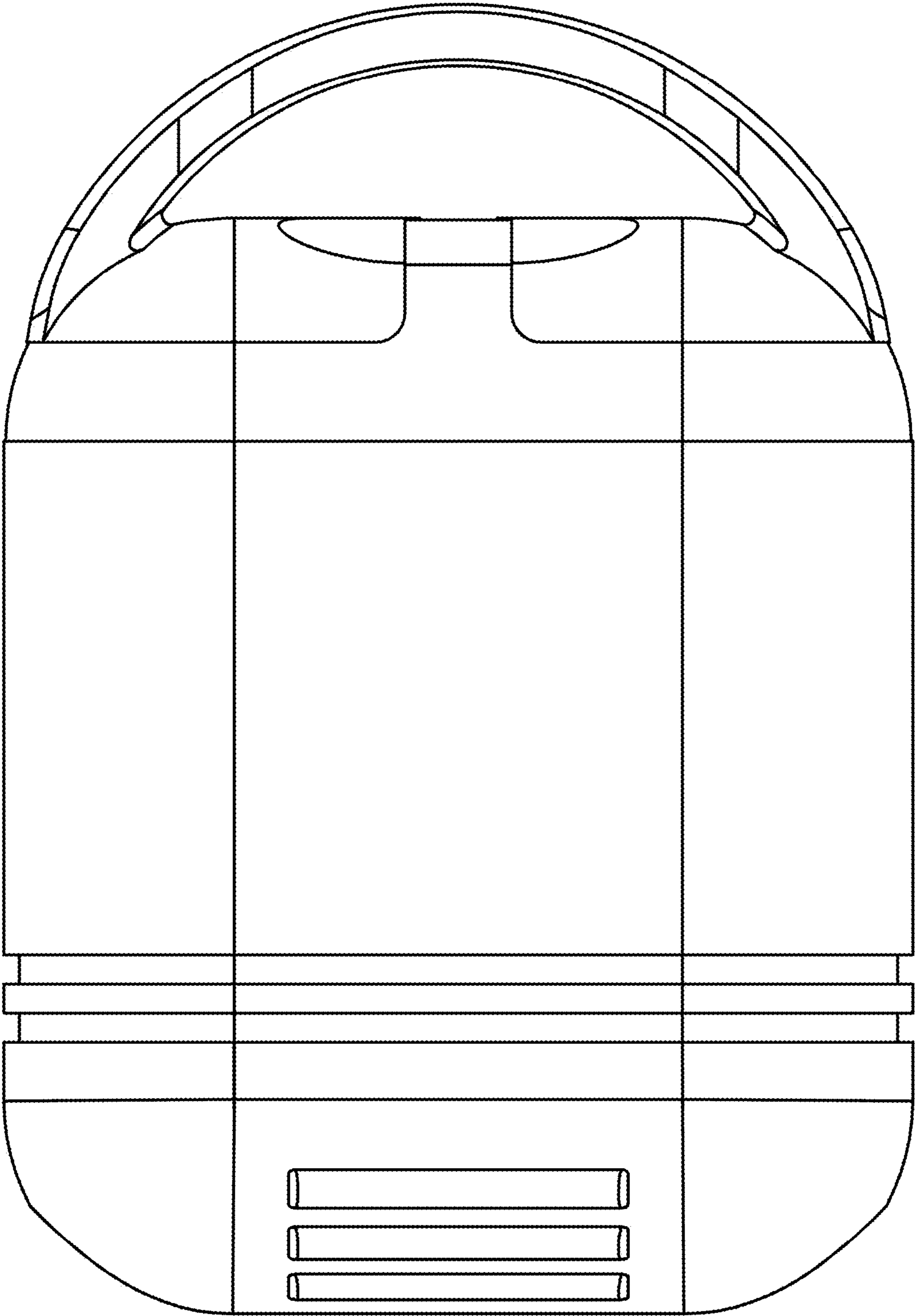


FIG. 2

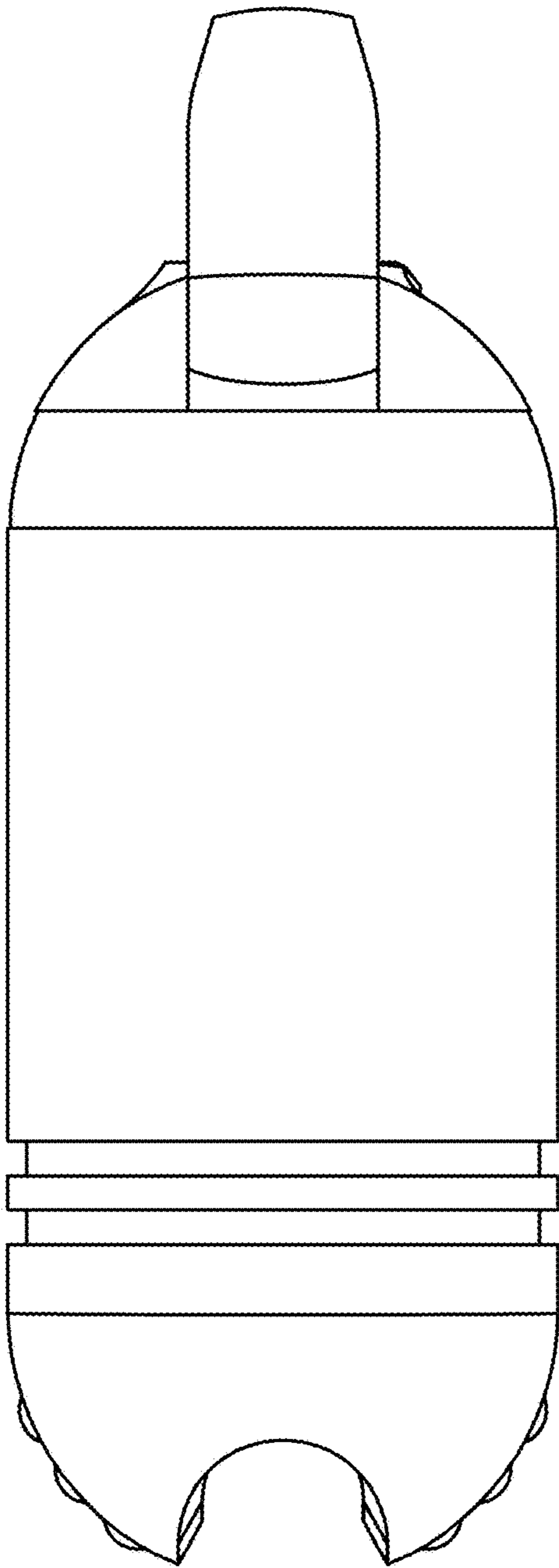


FIG. 3

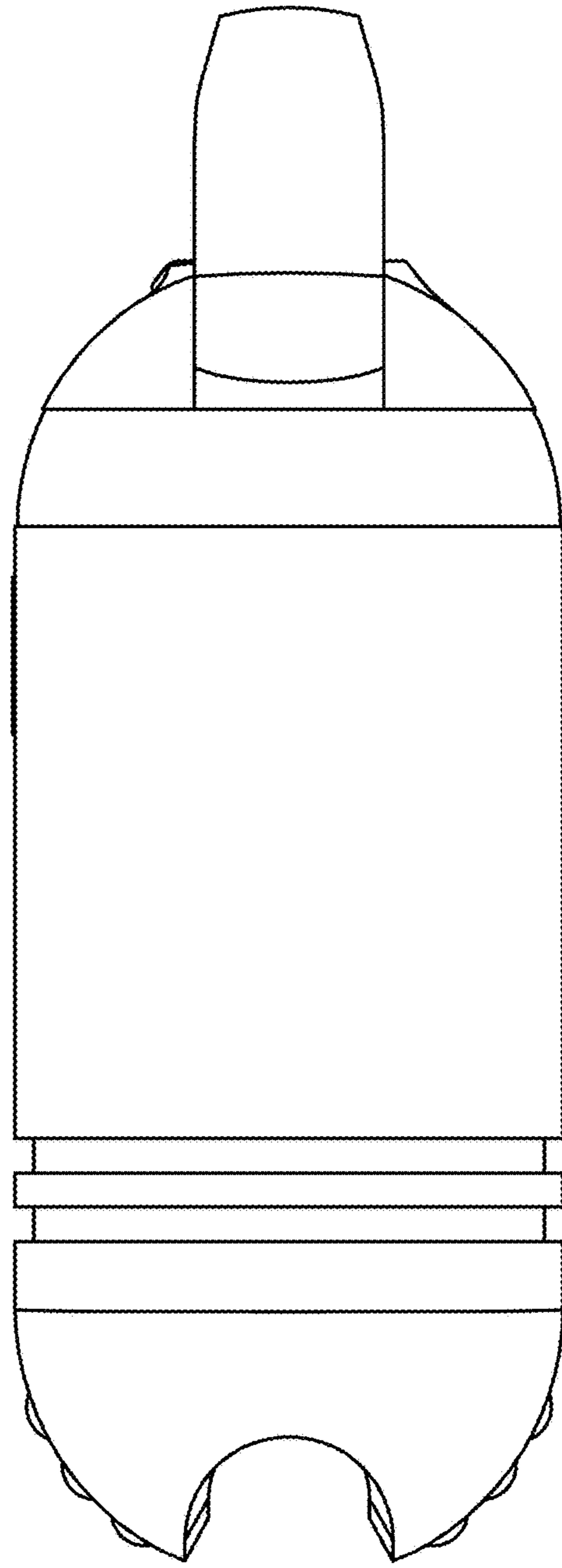


FIG. 4

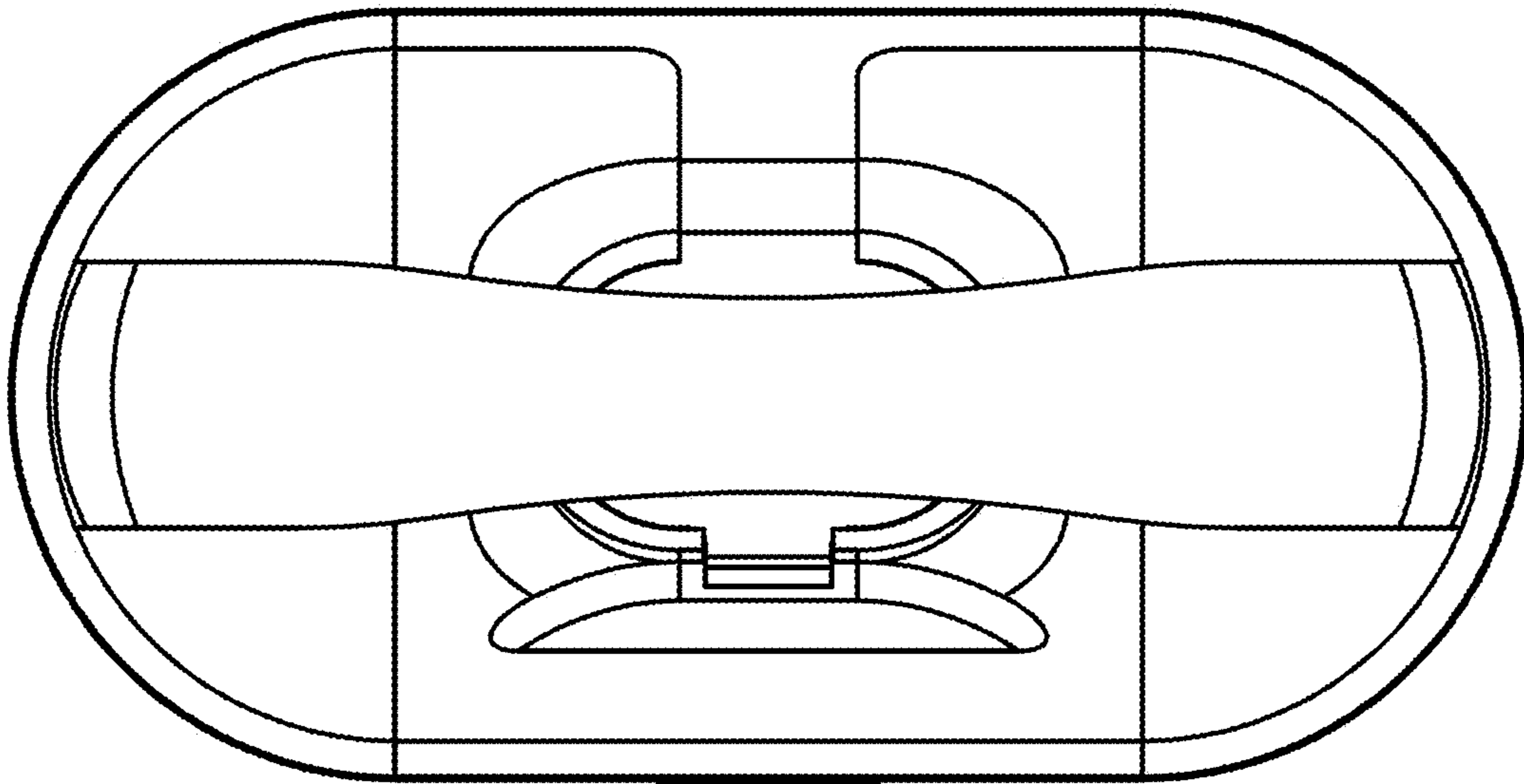


FIG. 5

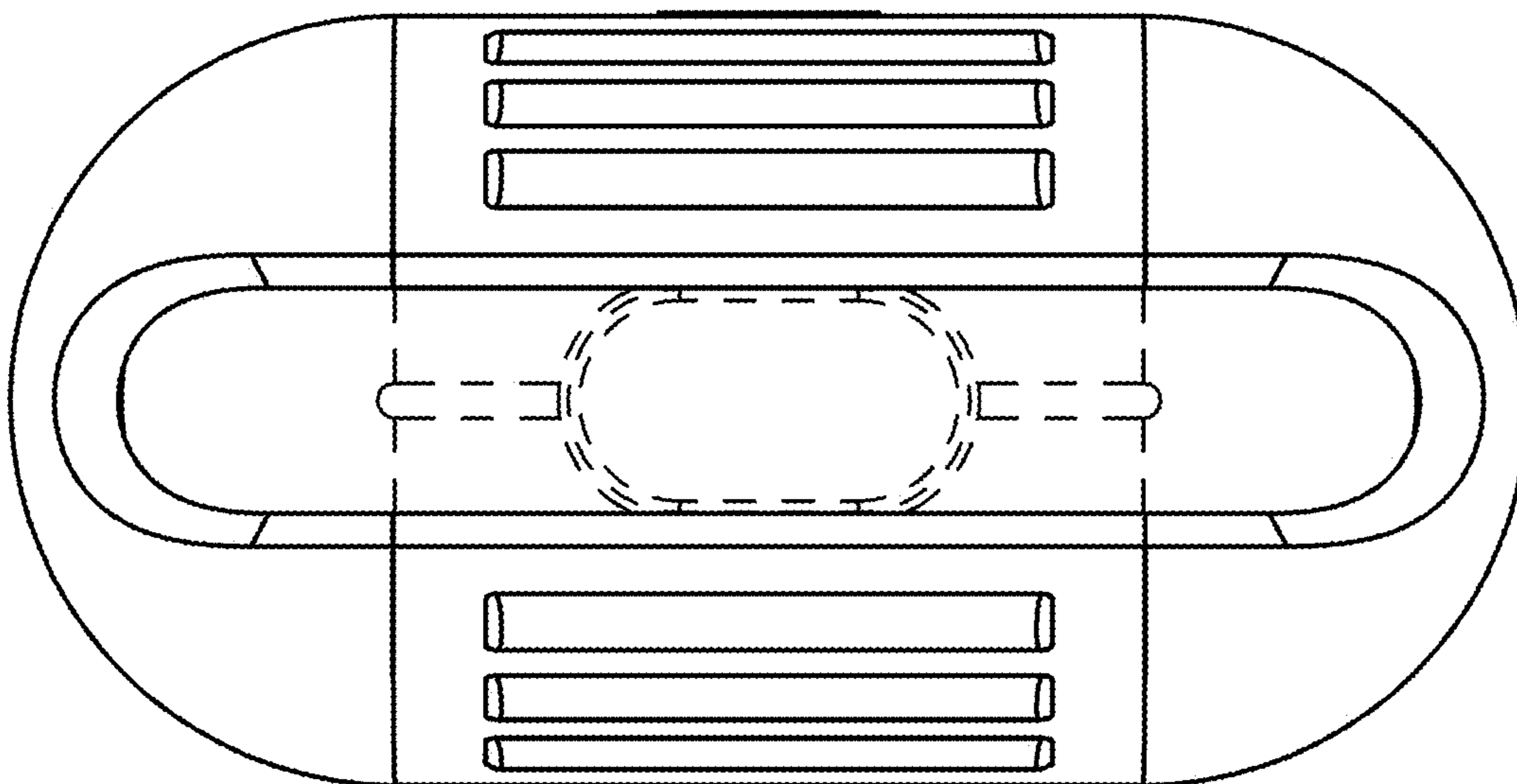


FIG. 6

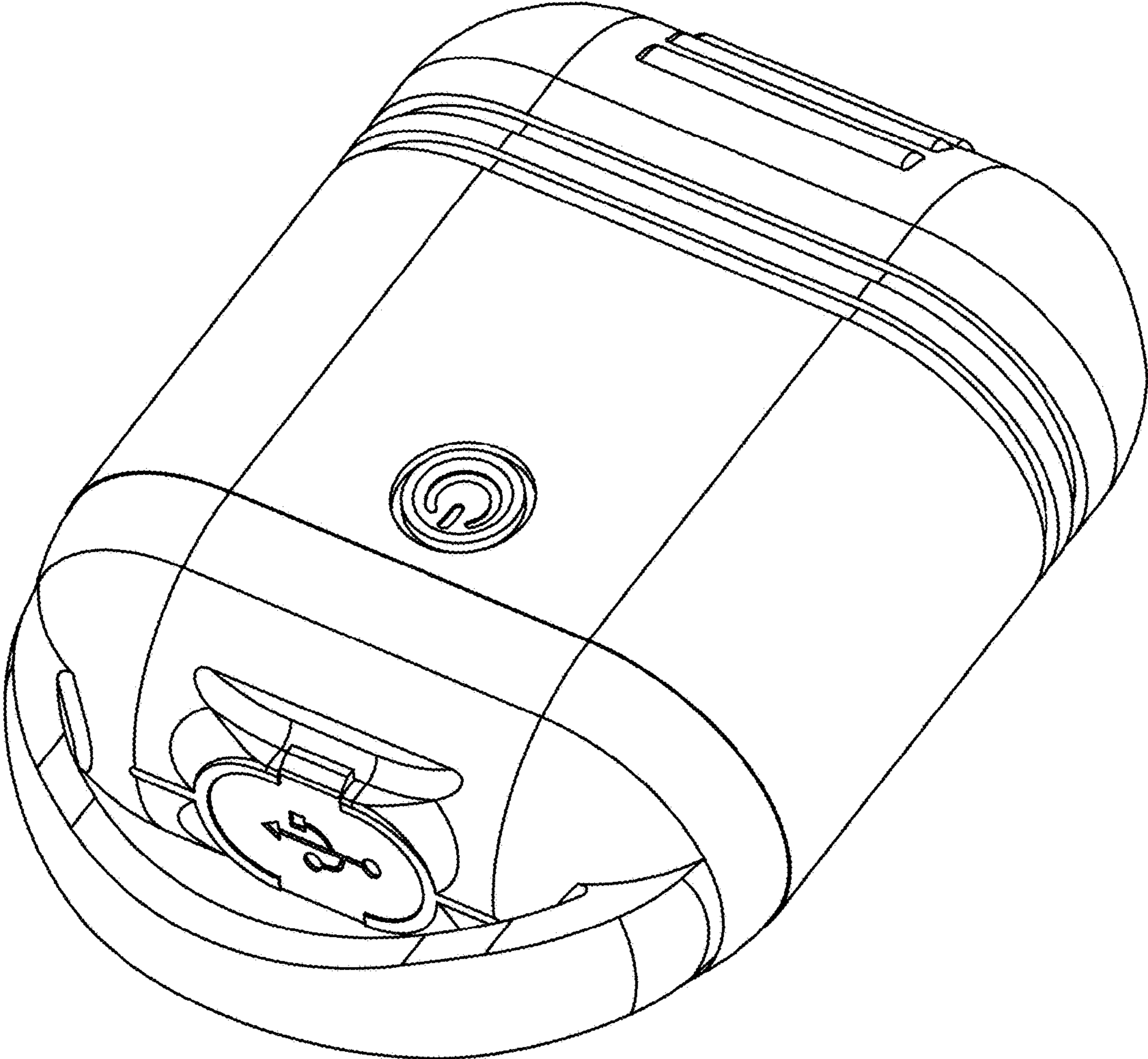


FIG. 7

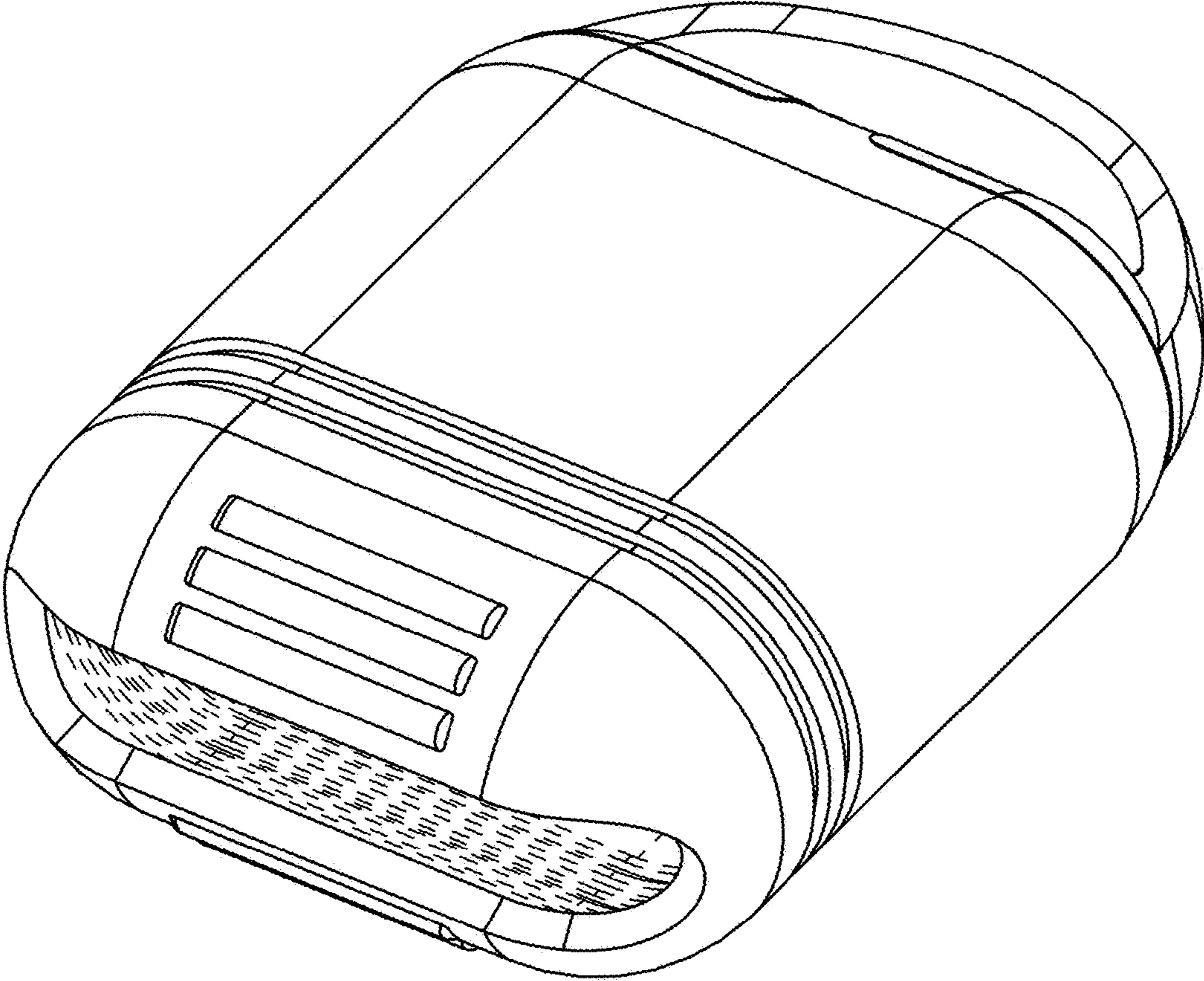


FIG. 8