



US00D835078S

(12) **United States Design Patent**
Yun

(10) **Patent No.:** **US D835,078 S**

(45) **Date of Patent:** **** *Dec. 4, 2018**

(54) **STAND FOR ELECTRONIC DEVICES**

(71) Applicant: **SPIGEN KOREA CO., LTD.**, Seoul (KR)

(72) Inventor: **Sun Woo Yun**, Seoul (KR)

(73) Assignee: **SPIGEN KOREA CO., LTD.**, Seoul (KR)

(*) Notice: This patent is subject to a terminal disclaimer.

(**) Term: **15 Years**

(21) Appl. No.: **29/589,375**

(22) Filed: **Dec. 30, 2016**

(51) **LOC (11) Cl.** **14-01**

(52) **U.S. Cl.**

USPC **D14/224**; D14/217; D14/434; D13/108

(58) **Field of Classification Search**

USPC D14/107, 108, 168, 217, 224, 240, 251, D14/252, 253, 434, 447

CPC H01R 13/60; H01R 35/00; H01R 13/64

See application file for complete search history.

(56) **References Cited**

U.S. PATENT DOCUMENTS

D277,662 S	2/1985	Huntington et al.	
D354,041 S	1/1995	Scheid et al.	
D474,737 S	5/2003	Yoshida	
D489,325 S	5/2004	Nakamura	
D495,336 S	8/2004	Andre et al.	
D523,847 S	6/2006	Naruki	
D535,615 S *	1/2007	Iwai	D13/108
D553,106 S	10/2007	Griffin	
D564,959 S	3/2008	Heine et al.	
D597,939 S *	8/2009	Tkachuk	D13/108
D607,817 S *	1/2010	Tan	D13/108
D624,919 S	10/2010	Bull	
D628,562 S *	12/2010	Akana	D14/217

D638,831 S	5/2011	Paradise	
D645,027 S *	9/2011	Gougherty	D14/223
D655,293 S *	3/2012	Gioscia	D14/434
D662,089 S	6/2012	Gougherty et al.	
D664,958 S *	8/2012	McManigal	D14/434
D669,888 S *	10/2012	Gougherty	D14/223
D675,155 S	1/2013	Smith et al.	
D684,145 S *	6/2013	Rath	D14/206
D686,595 S	7/2013	Andre et al.	
D692,009 S *	10/2013	Ashida	D14/447
D702,665 S *	4/2014	Kim	D14/217
D705,158 S	5/2014	Gengler	
D711,316 S *	8/2014	Ryu	D13/108
8,838,029 B2 *	9/2014	Goldman	H04M 1/04 455/41.2
D730,888 S	6/2015	Malsan	
D735,132 S *	7/2015	Donohue, II	D13/108
D765,623 S	9/2016	Yang et al.	

(Continued)

Primary Examiner — Janice Hallmark

(74) *Attorney, Agent, or Firm* — Heedong Chae; Lucem, PC

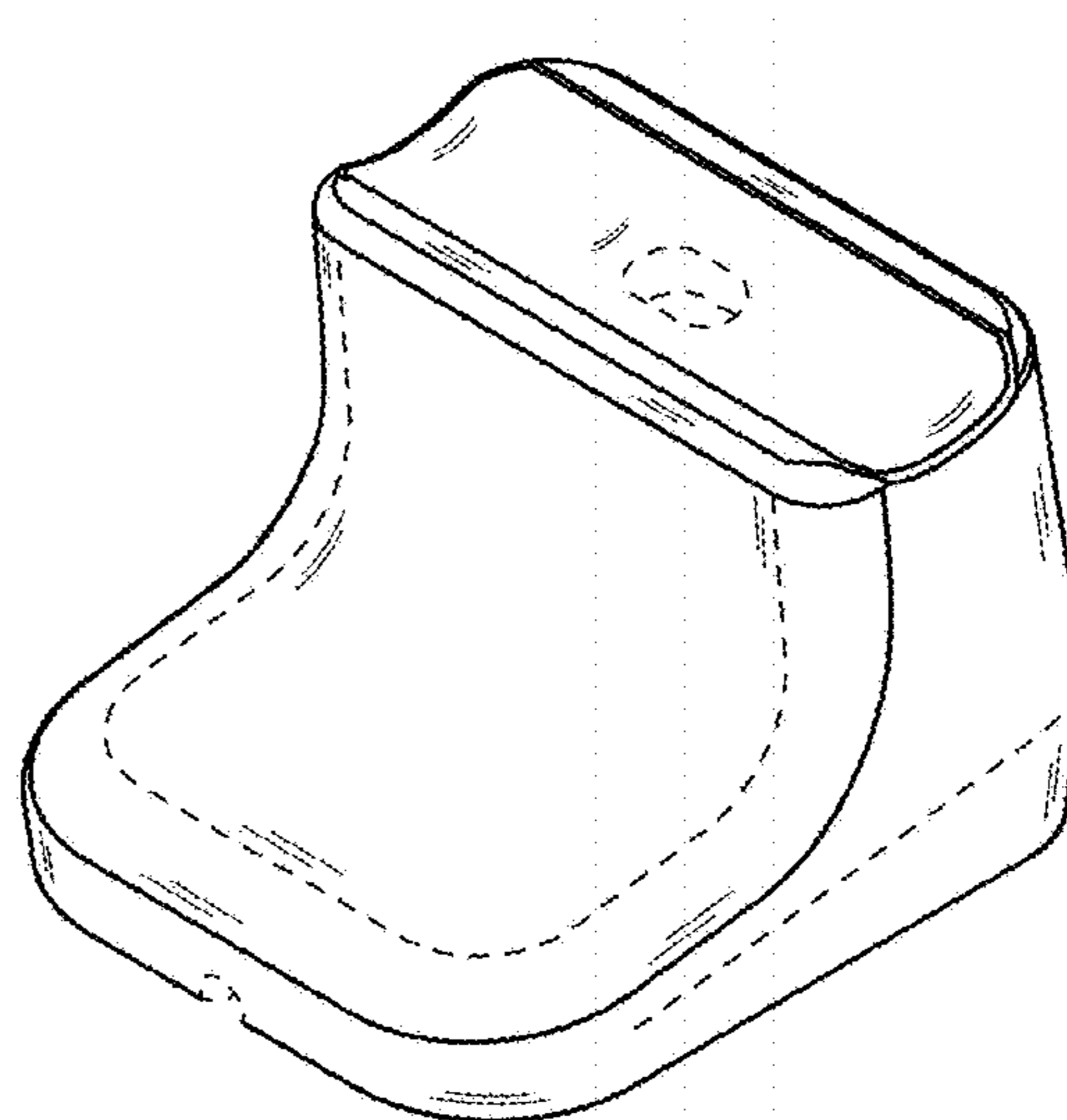
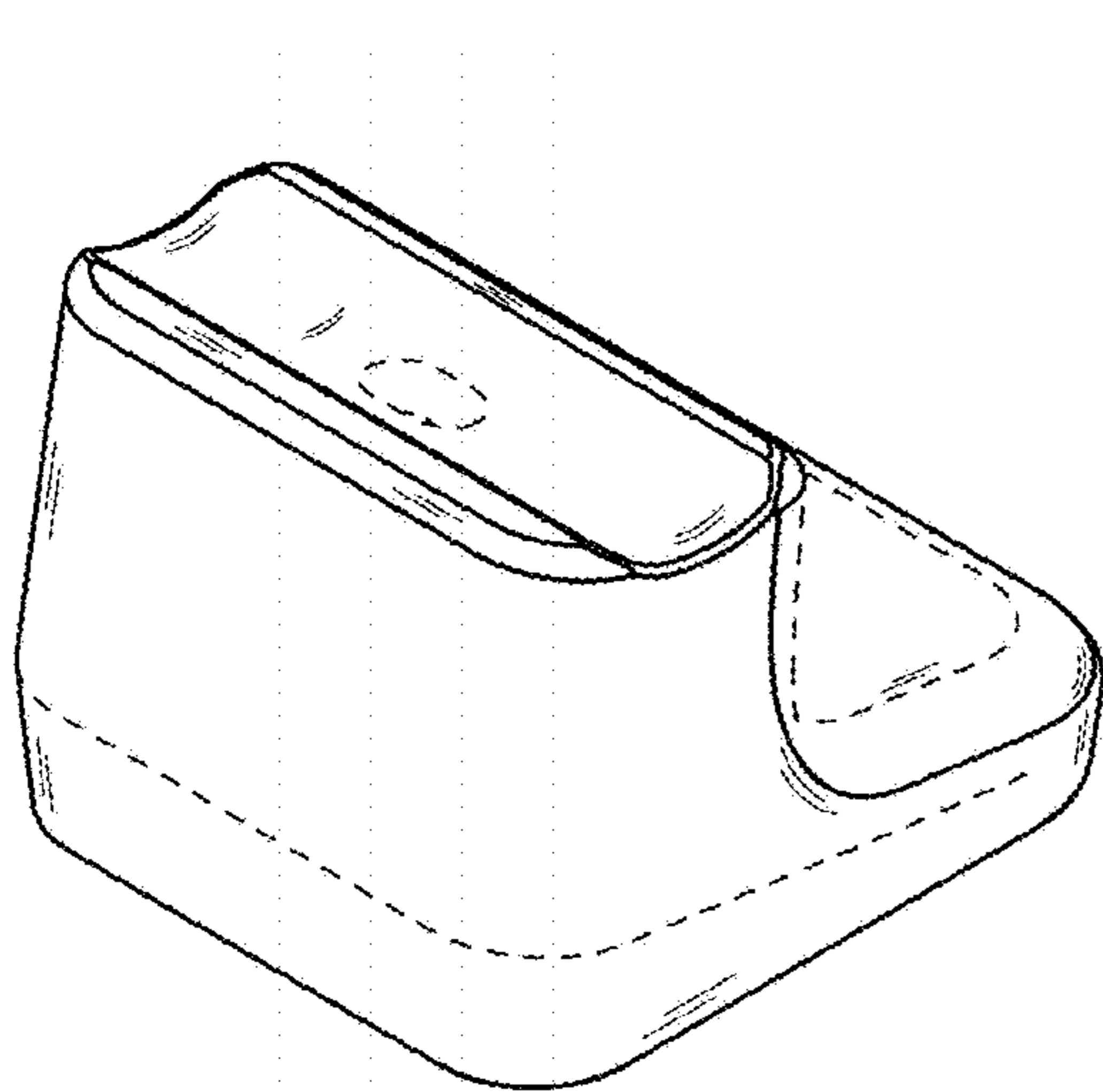
(57) **CLAIM**

The ornamental design for a stand for electronic devices, as shown and described.

DESCRIPTION

FIG. 1 is a front perspective view of stand for electronic devices, showing my new design;
 FIG. 2 is a rear perspective view thereof;
 FIG. 3 is a front elevational view thereof;
 FIG. 4 is a rear elevational view thereof;
 FIG. 5 is a left side elevational view thereof;
 FIG. 6 is a right side elevational view thereof;
 FIG. 7 is a top plan view thereof; and,
 FIG. 8 is a bottom plan view of the stand.
 The broken lines in the drawings depict portions of the stand for electronic devices that form no part of the claimed design.

1 Claim, 8 Drawing Sheets



(56)

References Cited

U.S. PATENT DOCUMENTS

D771,760 S	*	11/2016	Riddiford	D21/694
D780,186 S	*	2/2017	Lee	D14/253
D780,187 S	*	2/2017	Lee	D14/253
D799,494 S	*	10/2017	Lee	D14/447

* cited by examiner

FIG. 1

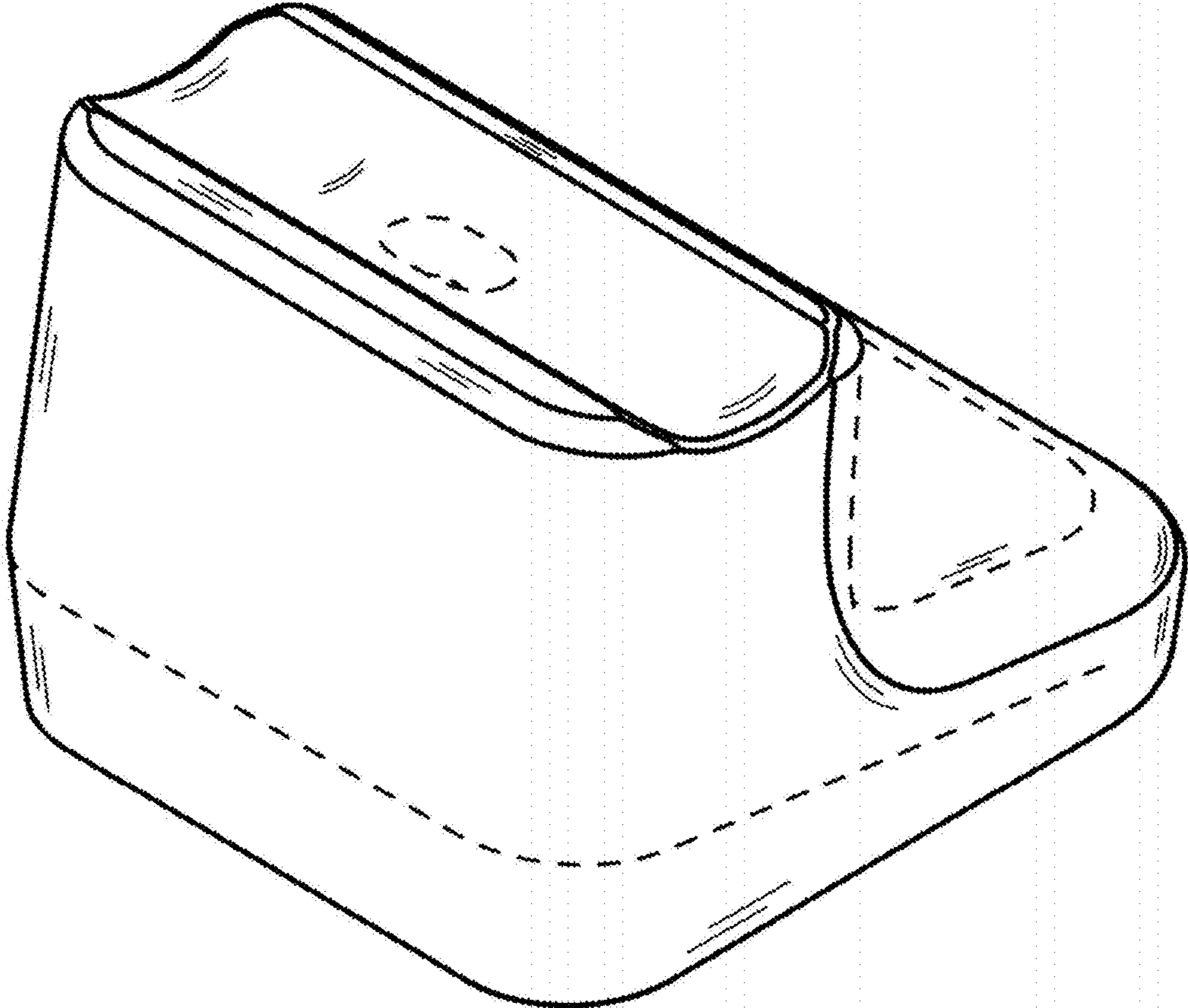


FIG. 2

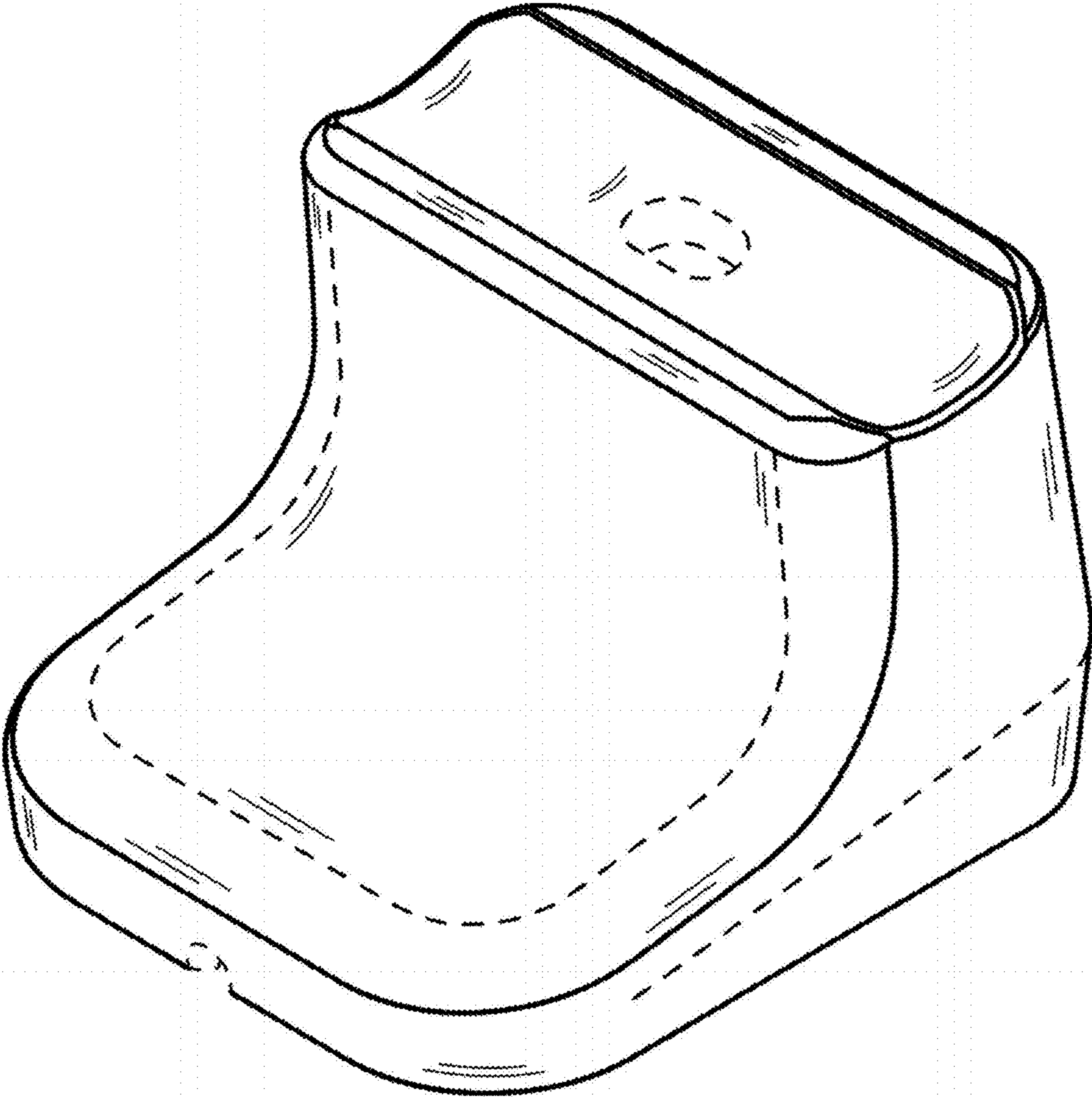


FIG. 3

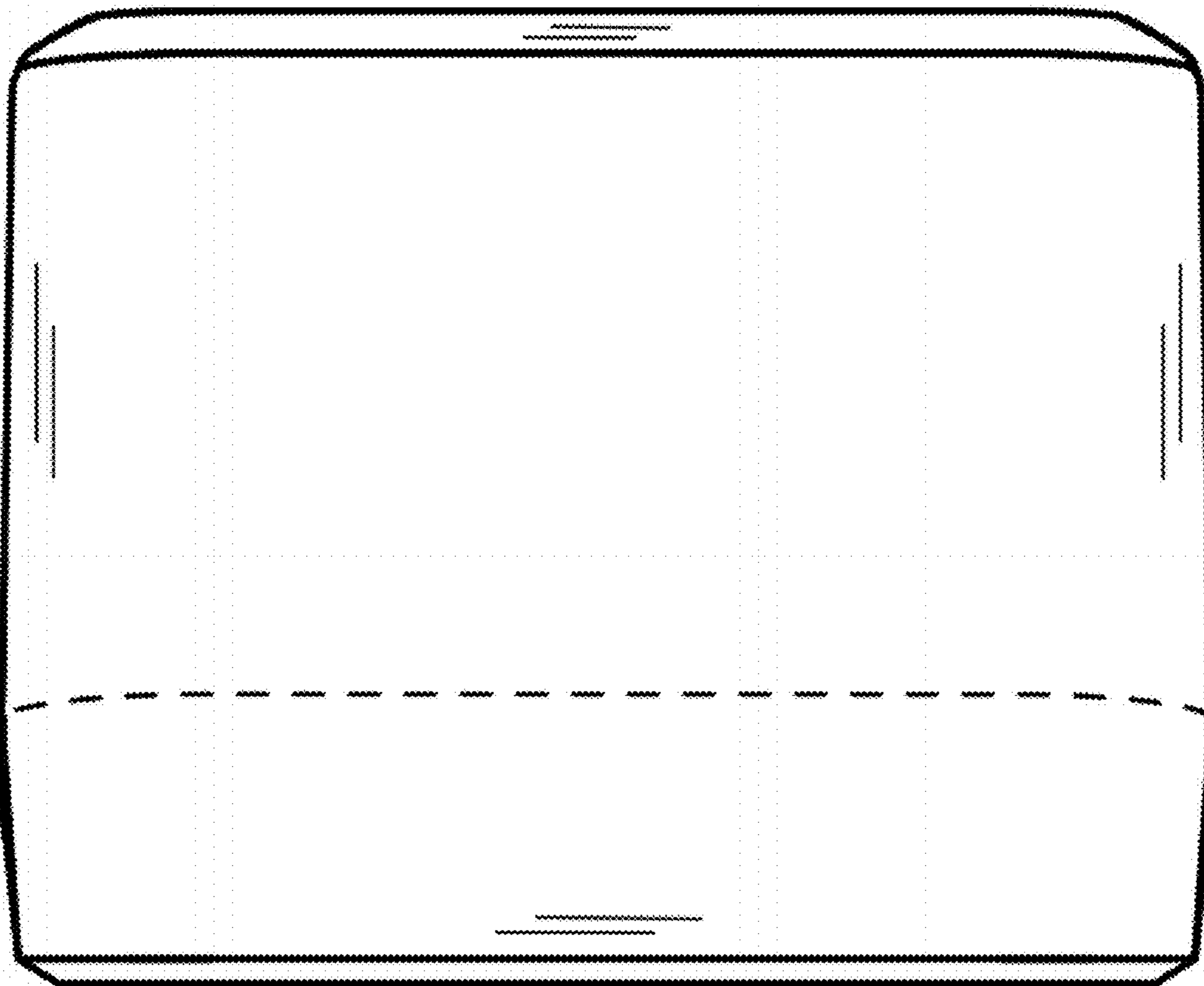


FIG. 4

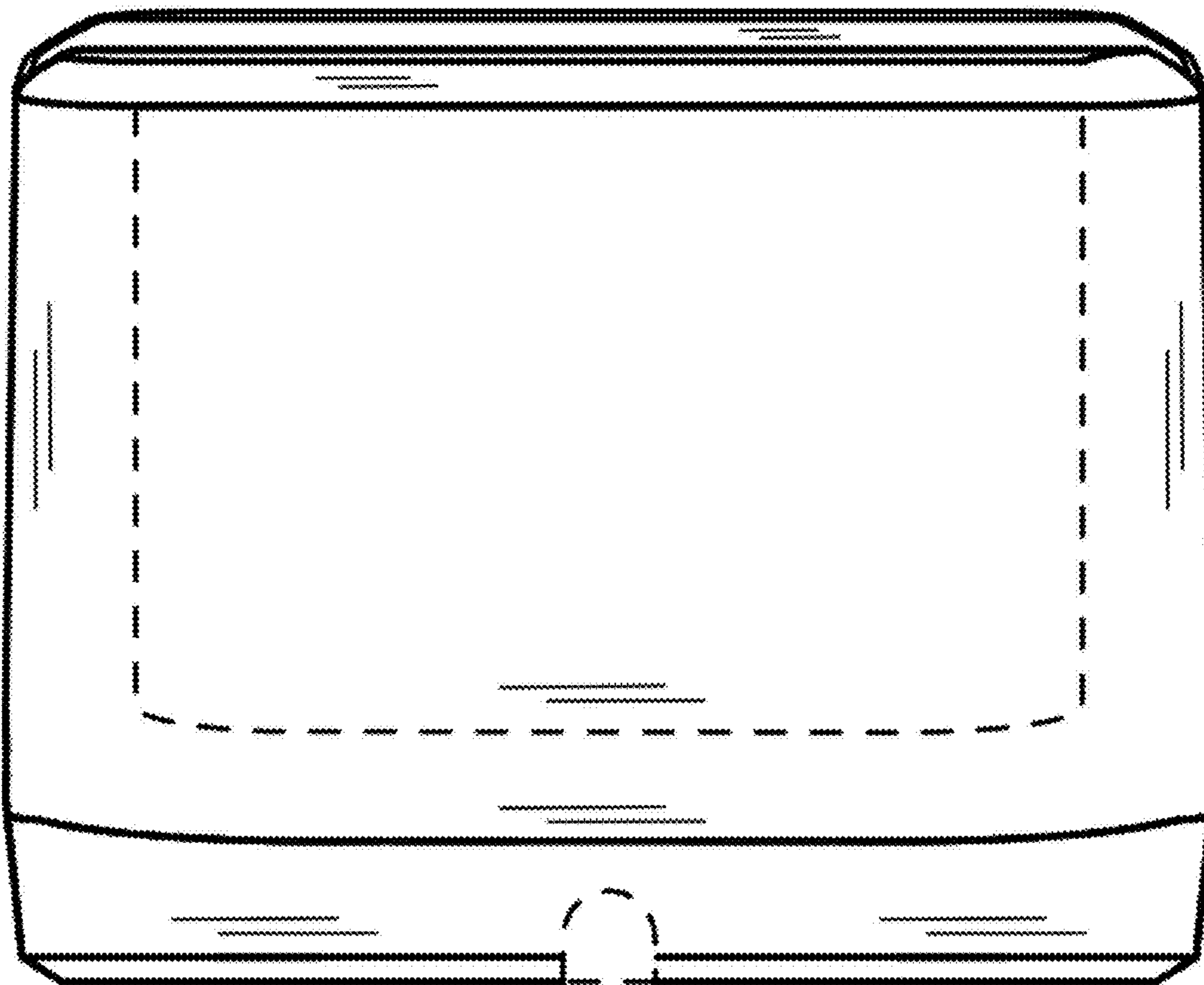


FIG. 5



FIG. 6



FIG. 7

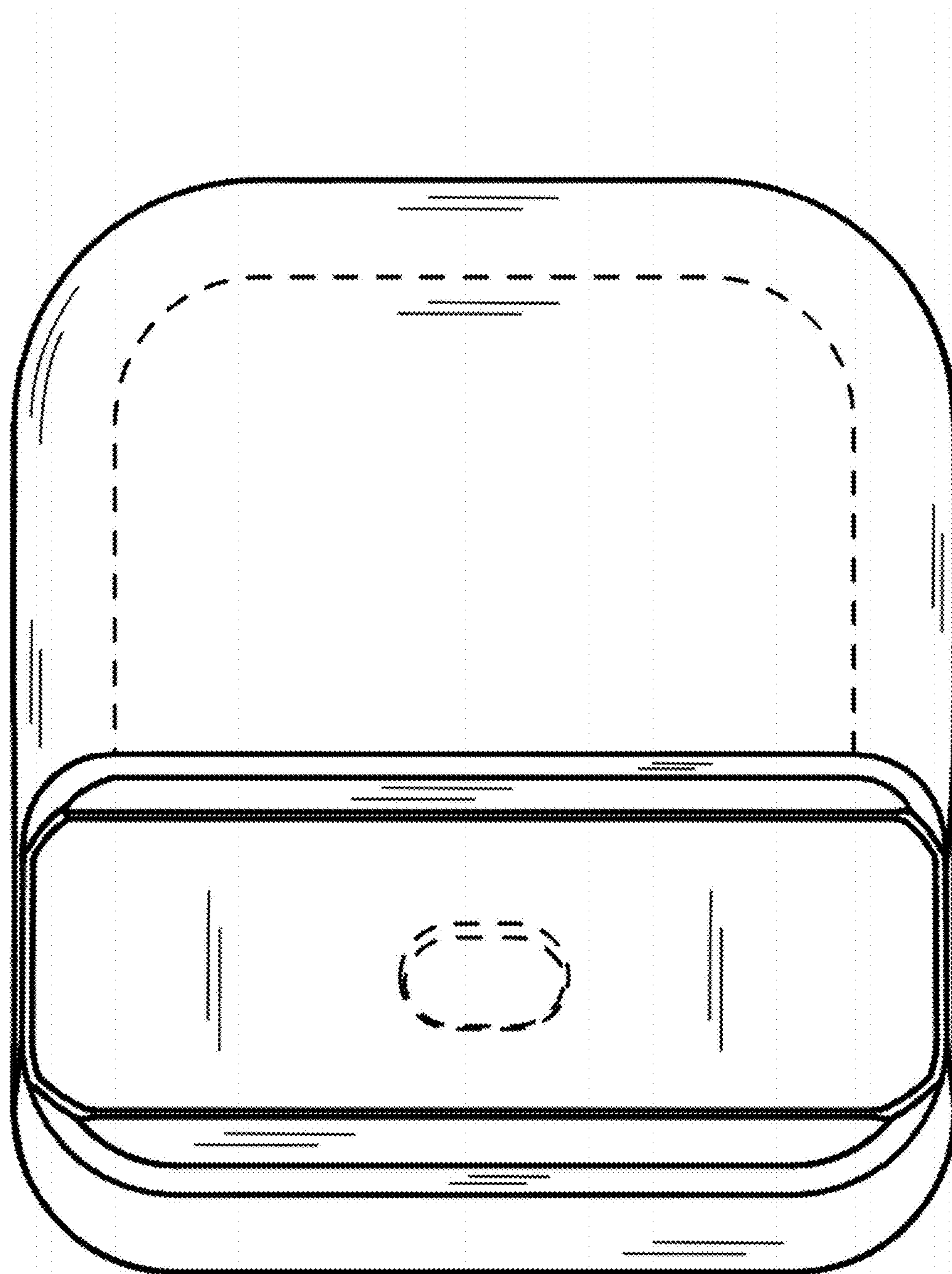


FIG. 8

