

US00D835071S

(12) **United States Design Patent** (10) **Patent No.:** **US D835,071 S**  
**Channey et al.** (45) **Date of Patent:** **\*\* Dec. 4, 2018**

(54) <b>PORTABLE ELECTRONIC DEVICE</b>	6,978,030 B2 * 12/2005 Reich ..... H04R 1/02 362/86
(71) Applicant: <b>Harman International Industries, Incorporated, Northridge, CA (US)</b>	D534,898 S * 1/2007 Rashid ..... D14/216 7,639,478 B2 * 12/2009 Wu ..... H05K 5/0008 312/223.2
(72) Inventors: <b>Royce D. Channey, Ann Arbor, MI (US); Kumar Abhimanyu, Northridge, CA (US); Jose Tomas DeLuna, Detroit, MI (US); Prakash Tripathi, Gurgaon (IN); Amin Einakian, Detroit, MI (US)</b>	D619,119 S * 7/2010 Graber ..... D14/216 D675,190 S * 1/2013 Nylen ..... D14/215 D686,186 S * 7/2013 Kaneko ..... D14/168 D722,595 S * 2/2015 Mackiewicz ..... D14/216 D723,514 S * 3/2015 Lukic ..... D14/213 D726,684 S * 4/2015 Schmiedbauer ..... D14/210 D810,137 S * 2/2018 Tsang ..... D14/496 D810,783 S * 2/2018 Langhammer ..... D14/496
(73) Assignee: <b>Harman International Industries, Incorporated, Northridge, CA (US)</b>	

\* cited by examiner

(\*\*) Term: **15 Years**

*Primary Examiner* — Keli L Hill

(21) Appl. No.: **29/602,637**

(74) *Attorney, Agent, or Firm* — Plumsea Law Group, LLC

(22) Filed: **May 2, 2017**

(51) **LOC (11) Cl.** ..... **14-03**

(52) **U.S. Cl.**  
USPC ..... **D14/216; D14/496**

(58) **Field of Classification Search**  
USPC ..... D14/496, 401, 435, 474, 483, 217, 137, D14/138, 160, 168, 356, 203.1–203.8, D14/507; 345/156, 169, 173–179, 905; 715/727–729, 864; 710/1, 5, 8; 713/1, 713/600; 455/1.1, 1.7, 73, 344–347, 93, 455/95, 3.01–3.06, 550.1, 573.1; 370/342–344; 369/1, 2, 6–12; 463/43–47; 273/148 B; 725/25–31, 34, 725/36, 37, 74, 86–89, 105, 131, 135, 725/143  
CPC .. A63F 13/00; A63F 11/00; A63F 2300/8047; G06F 17/00

See application file for complete search history.

(56) **References Cited**

**U.S. PATENT DOCUMENTS**

5,319,164 A \* 6/1994 Shen ..... H04R 1/025  
181/150  
5,663,746 A \* 9/1997 Pellenberg ..... G09F 15/005  
211/70

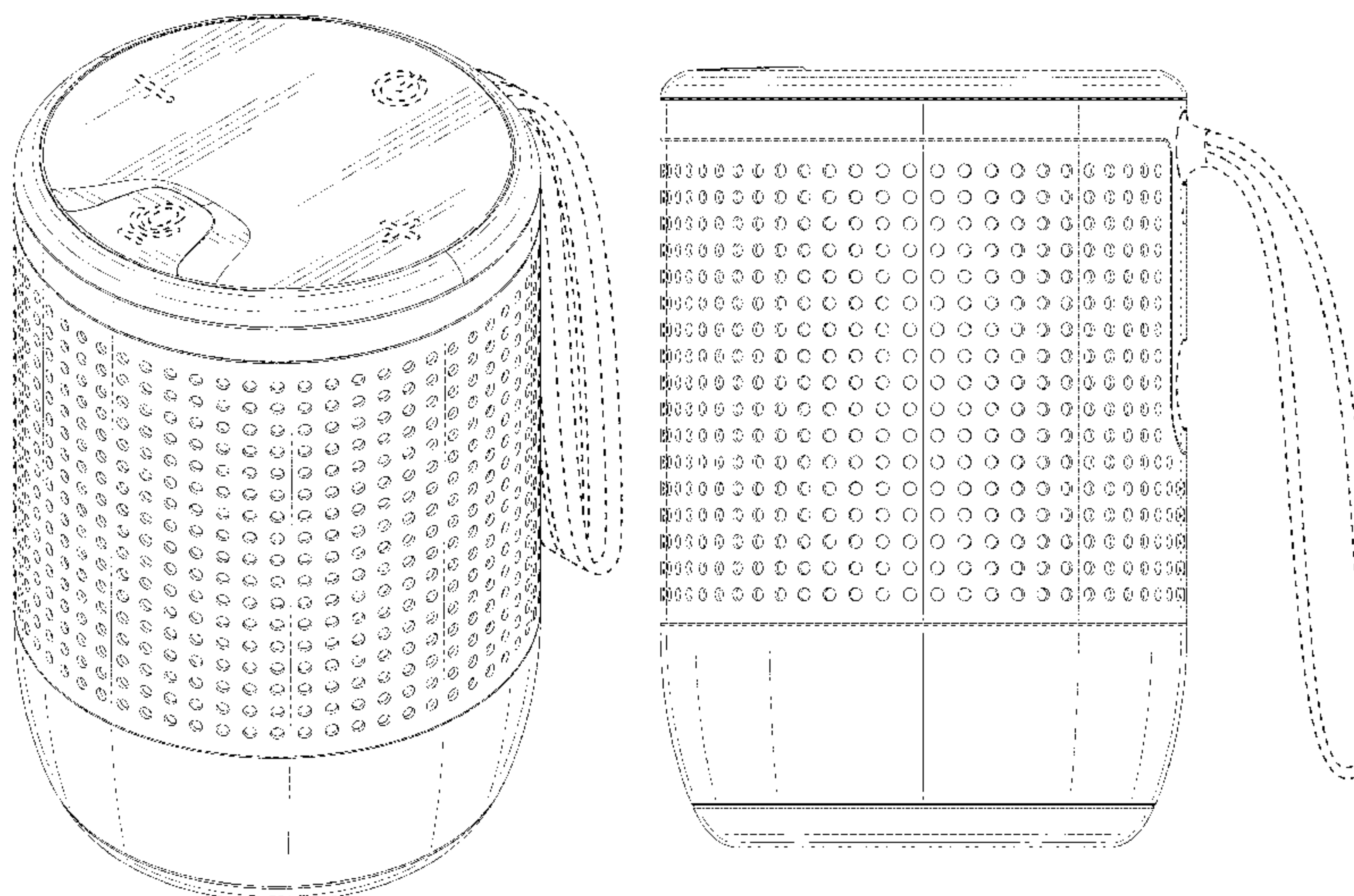
(57) **CLAIM**

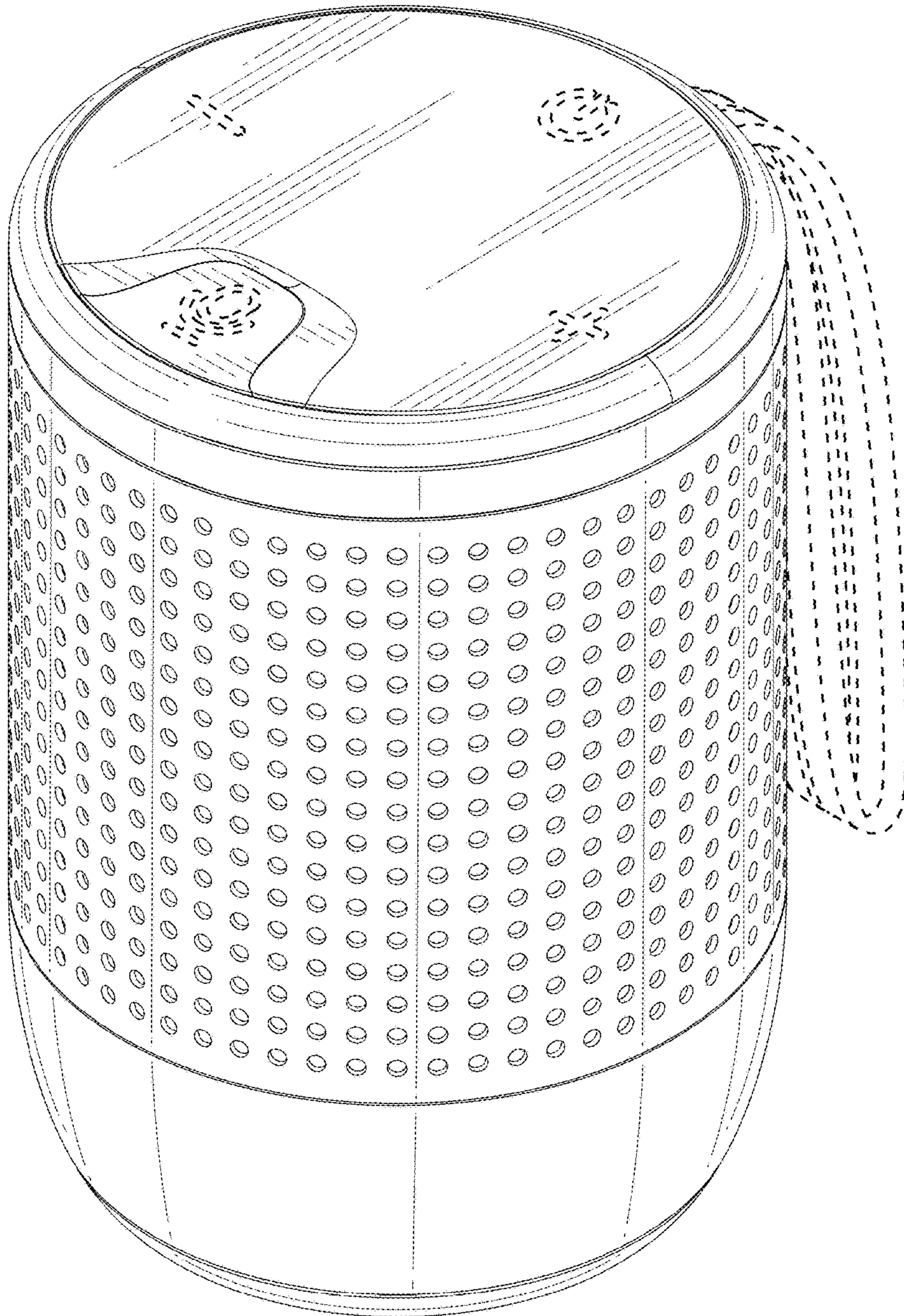
The ornamental design for a portable electronic device, as shown and described.

**DESCRIPTION**

FIG. 1 is a perspective view of a portable electronic device showing our new design;  
FIG. 2 is a rear elevation view thereof;  
FIG. 3 is a front elevation view thereof;  
FIG. 4 is a side elevation view thereof, the opposite side being a mirror image;  
FIG. 5 is a top plan view thereof; and,  
FIG. 6 is a bottom plan view thereof.  
The broken lines immediately adjacent to the shaded areas represent bounds of the claimed design, while all other broken lines depict environment; the broken lines form no part of the claimed design.

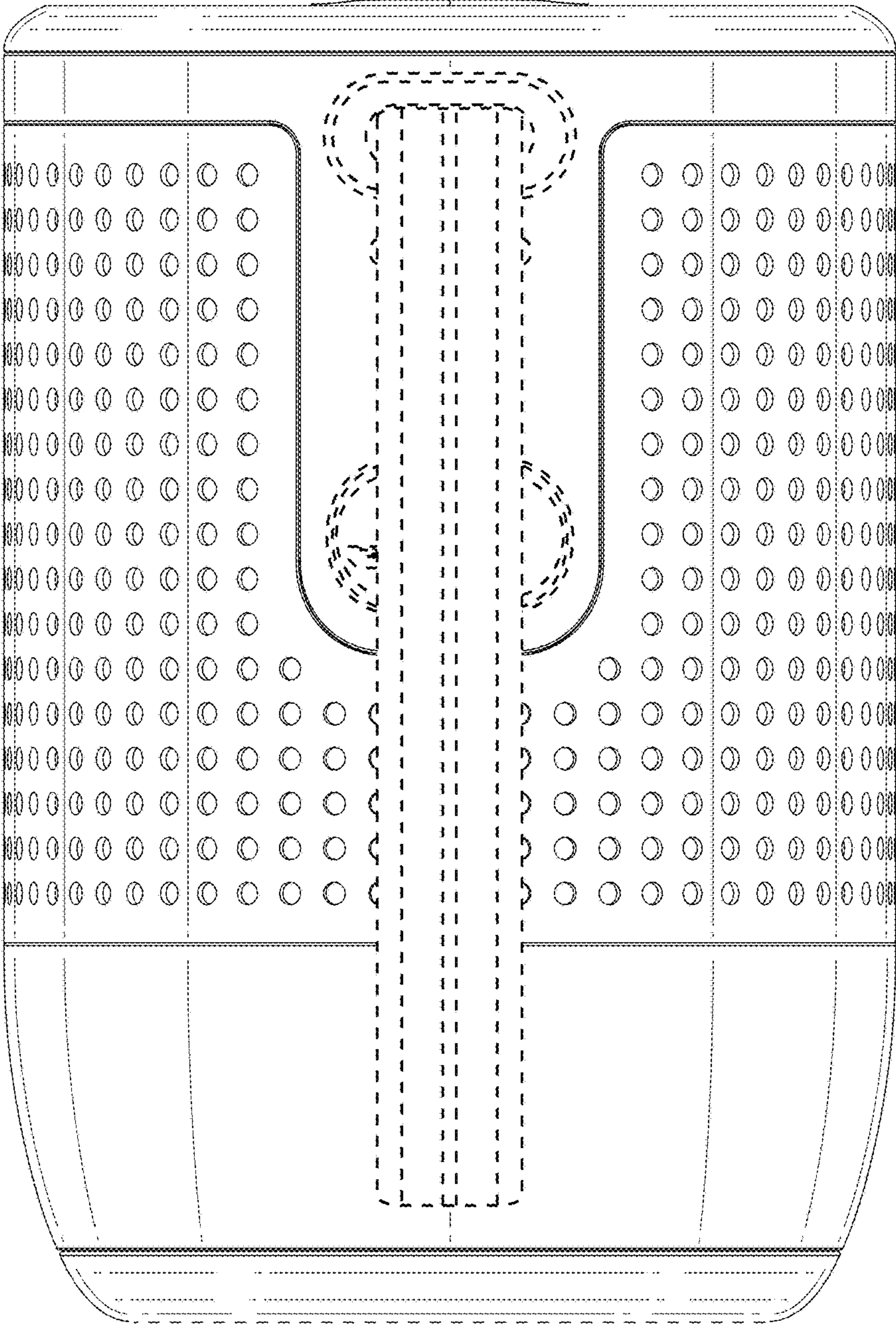
**1 Claim, 6 Drawing Sheets**



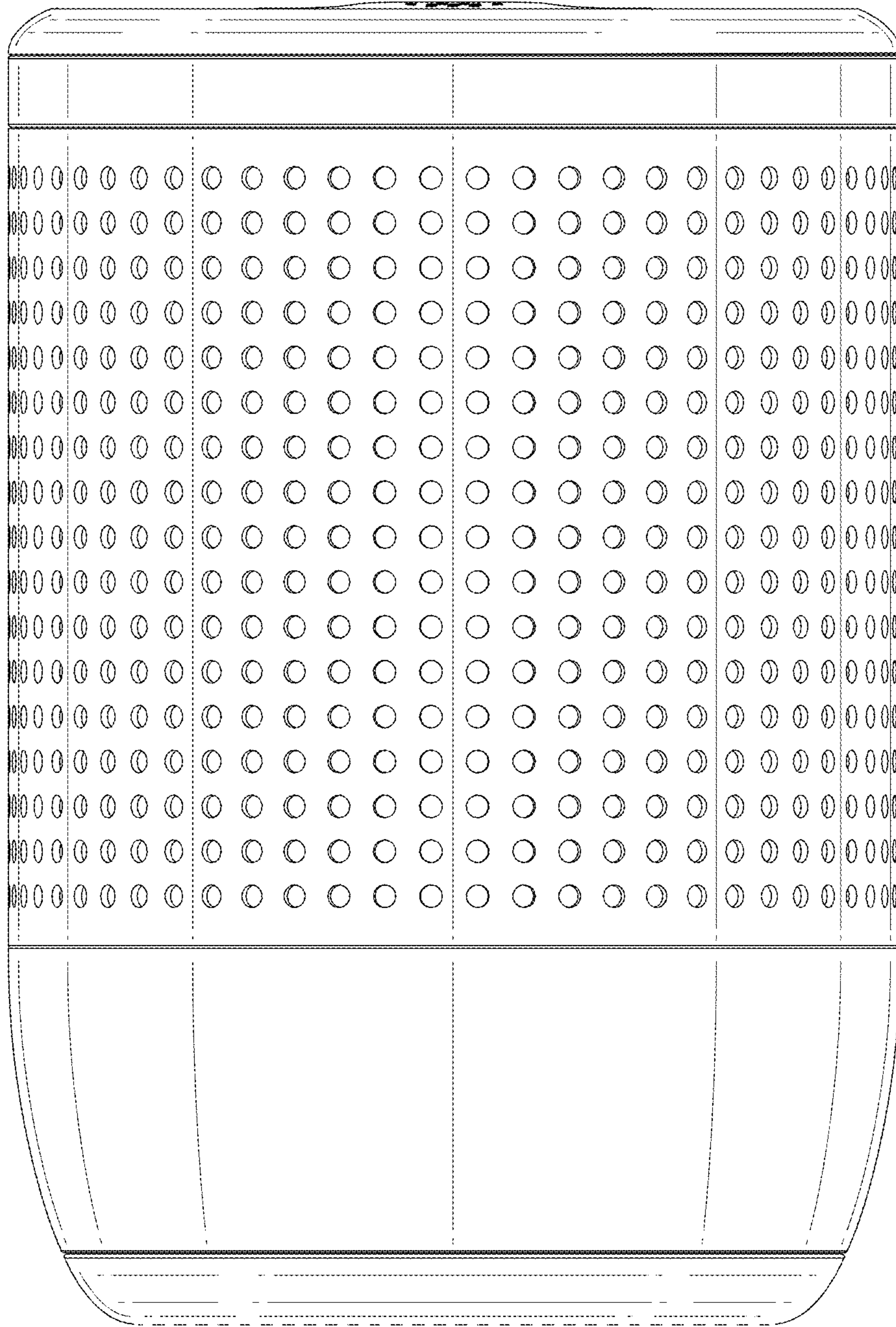


**FIG. 1**

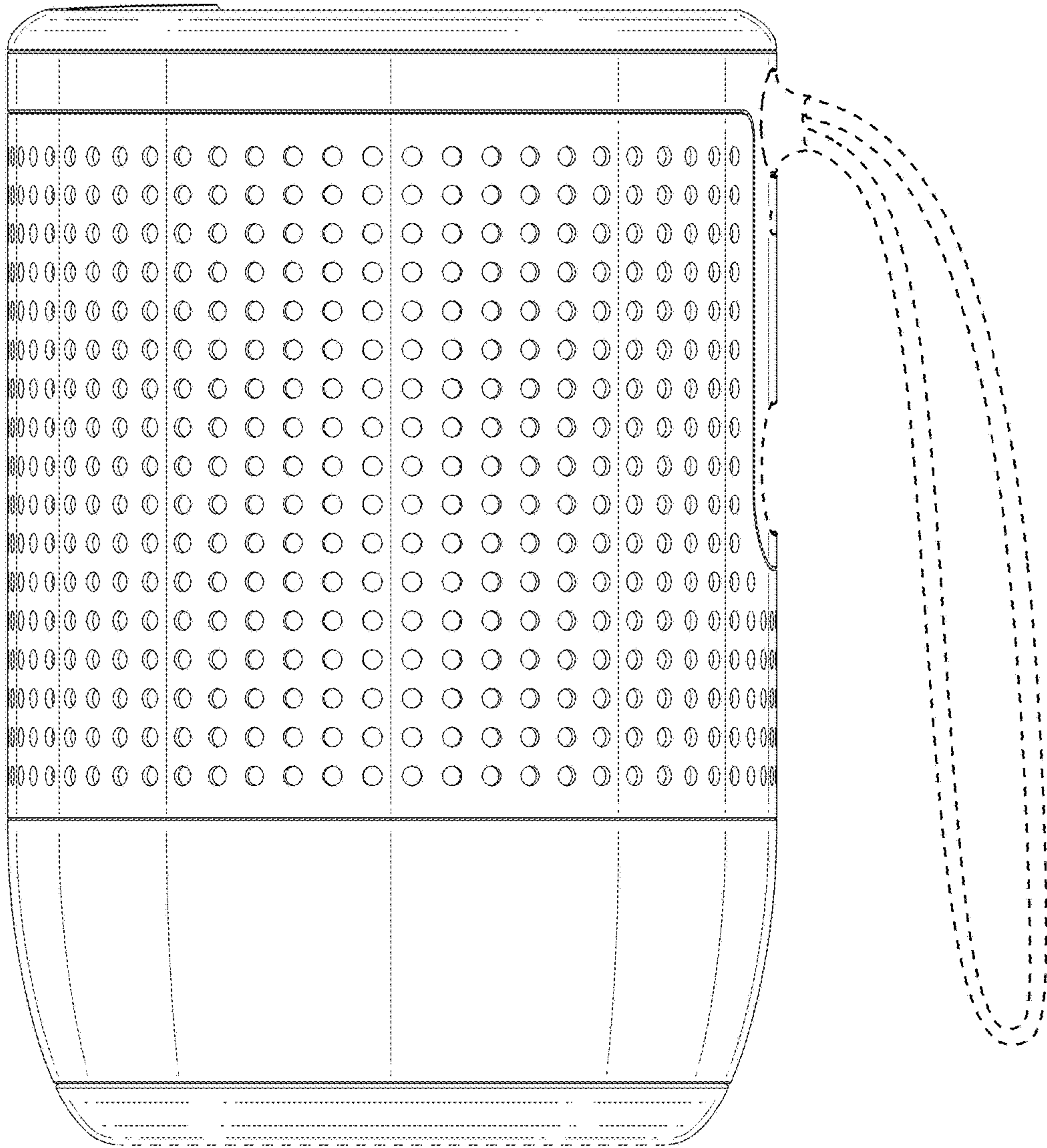




**FIG. 2**

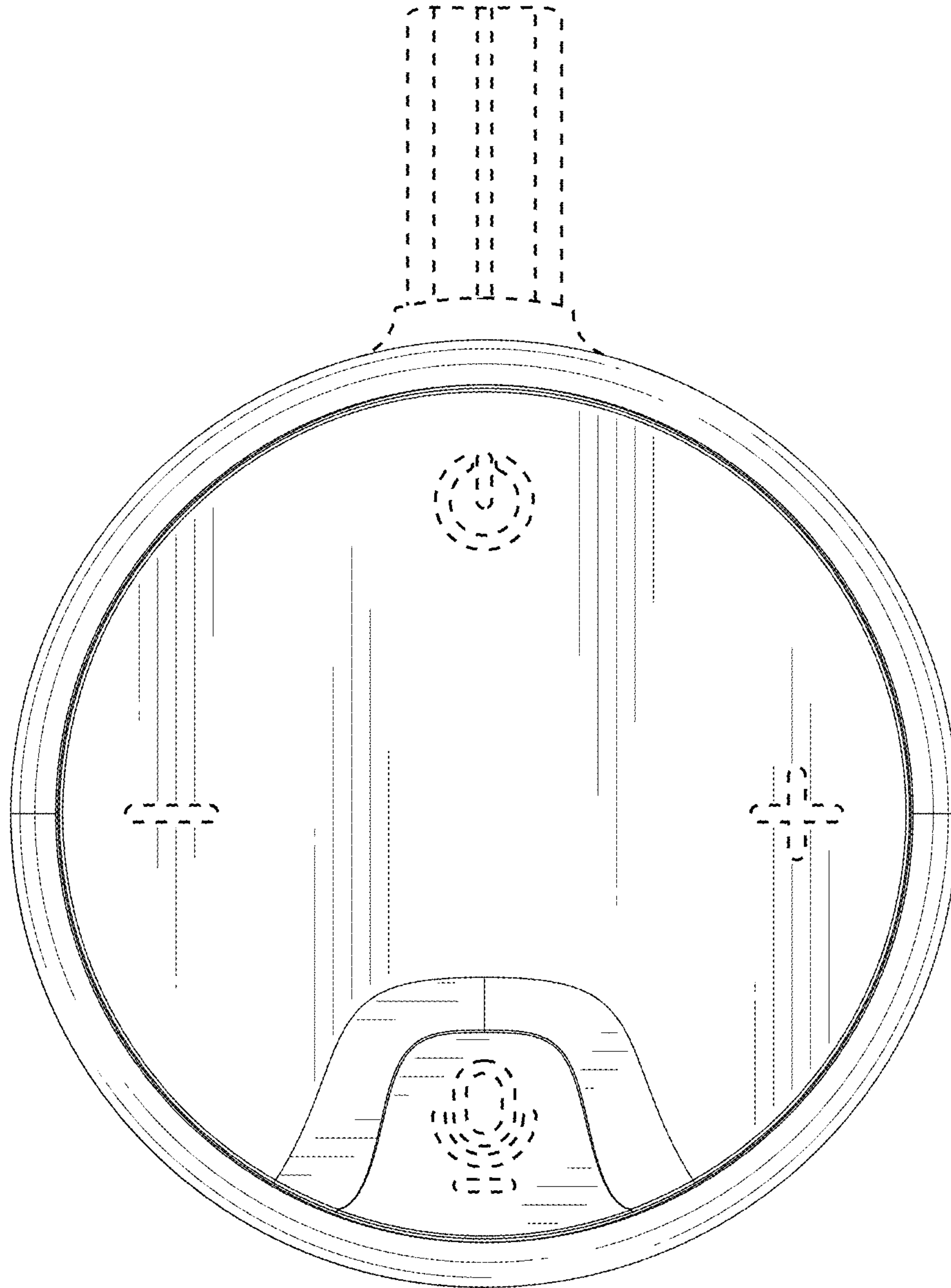


**FIG. 3**

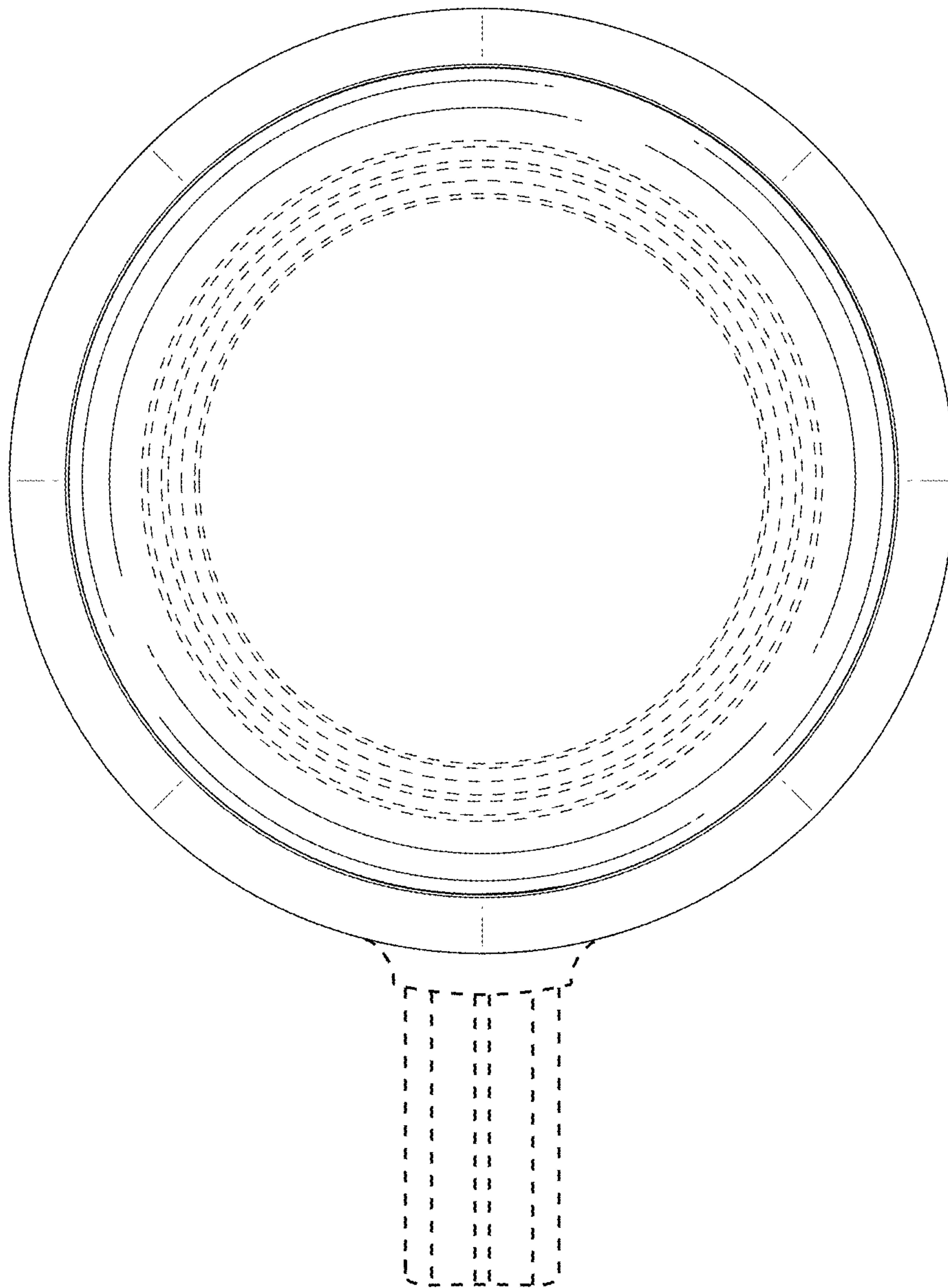


**FIG. 4**





**FIG. 5**



**FIG. 6**