



(12) **United States Design Patent**
DePasquale

(10) **Patent No.:** **US D835,070 S**
(45) **Date of Patent:** **** Dec. 4, 2018**

- (54) **AUDIO UNIT**
- (71) Applicant: **Tivoli Audio, Inc.**, Boston, MA (US)
- (72) Inventor: **Paul DePasquale**, Boston, MA (US)
- (73) Assignee: **Tivoli Audio, Inc.**, Boston, MA (US)
- (**) Term: **15 Years**
- (21) Appl. No.: **29/591,140**
- (22) Filed: **Jan. 17, 2017**
- (51) **LOC (11) Cl.** **14-01**
- (52) **U.S. Cl.**
USPC **D14/216; D14/215**
- (58) **Field of Classification Search**
USPC D14/168, 188, 194, 195, 196, 204, 210,
D14/211, 212, 213, 214, 215, 216, 197,
D14/198
CPC B60R 11/0217; G06F 1/1688; G10K 9/22;
G10K 11/004; H03F 1/327; H04M 1/03;
H04M 1/035; H04N 5/642; H04N
21/4852; H04S 3/00; H04S 7/30; H04R
1/02; H04R 1/06; H04R 1/021; H04R
1/025; H04R 1/026; H04R 1/028; H04R
1/105; H04R 1/323; H04R 1/403; H04R
1/2803; H04R 1/2834; H04R 5/02; H04R
7/20; H04R 9/06; H04R 9/025; H04R
2201/021; H04R 2400/00; H04R 2400/07;
H04R 2499/11; H04R 2499/13; H04R
2499/15
See application file for complete search history.

(56) **References Cited**

U.S. PATENT DOCUMENTS

D77,629 S *	1/1929	Temple	D14/215
D96,140 S *	7/1935	Shenker	455/350
D106,473 S *	10/1937	Silver	D14/198
D215,675 S *	10/1969	Yran	D13/114
D215,853 S *	11/1969	La Zar	D14/212
D216,374 S *	12/1969	Yran	D13/108

D258,068 S *	1/1981	Ostrom	D14/197
4,361,250 A *	11/1982	Foster	B65D 47/0847 220/254.3
D291,536 S *	8/1987	Crawford	D9/440
D302,818 S *	8/1989	Camens	D14/216
5,148,490 A *	9/1992	Draffen	B60R 11/0217 381/302
D362,442 S *	9/1995	Goldfarb	D14/215
D369,806 S *	5/1996	Ichikawa	D14/172
RE37,634 E *	4/2002	Hickman	B65D 47/0847 215/235
D512,406 S *	12/2005	Shimizu	D14/167
D550,204 S *	9/2007	Kaneda	D14/216
D577,357 S *	9/2008	Poandl	D14/216
D582,271 S *	12/2008	Vogel	D9/447

(Continued)

OTHER PUBLICATIONS

YouTube—Tivoli Audio Cube and Orb spk, announced Sep. 1, 2017 [online]. [site visited Dec. 20, 2017]. Available from internet, URL: <https://www.youtube.com/watch?v=EXsNi_kpAhY>.*

Primary Examiner — Keli L Hill
Assistant Examiner — Karra S Johnson
(74) *Attorney, Agent, or Firm* — Chapin IP Law, LLC

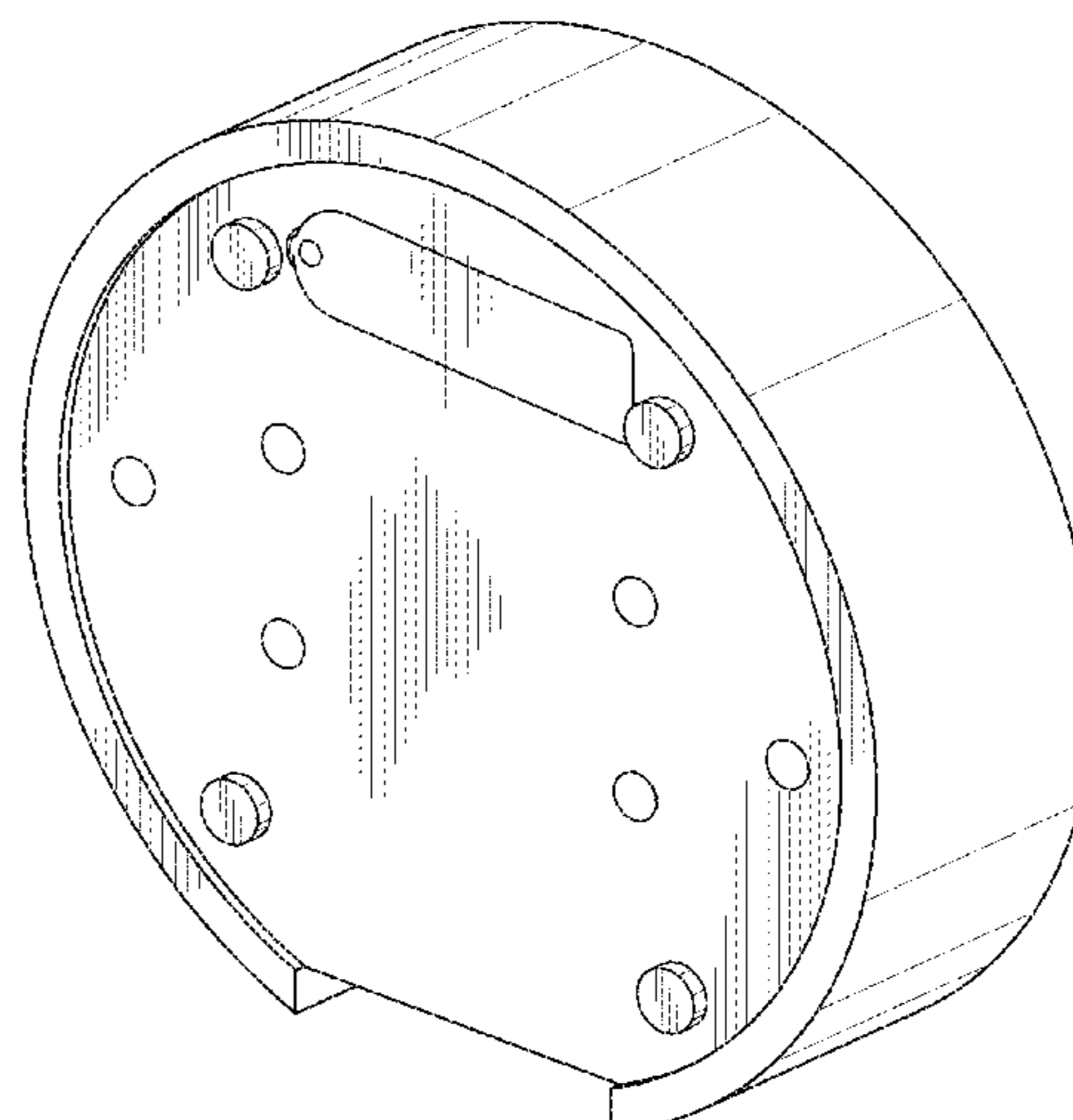
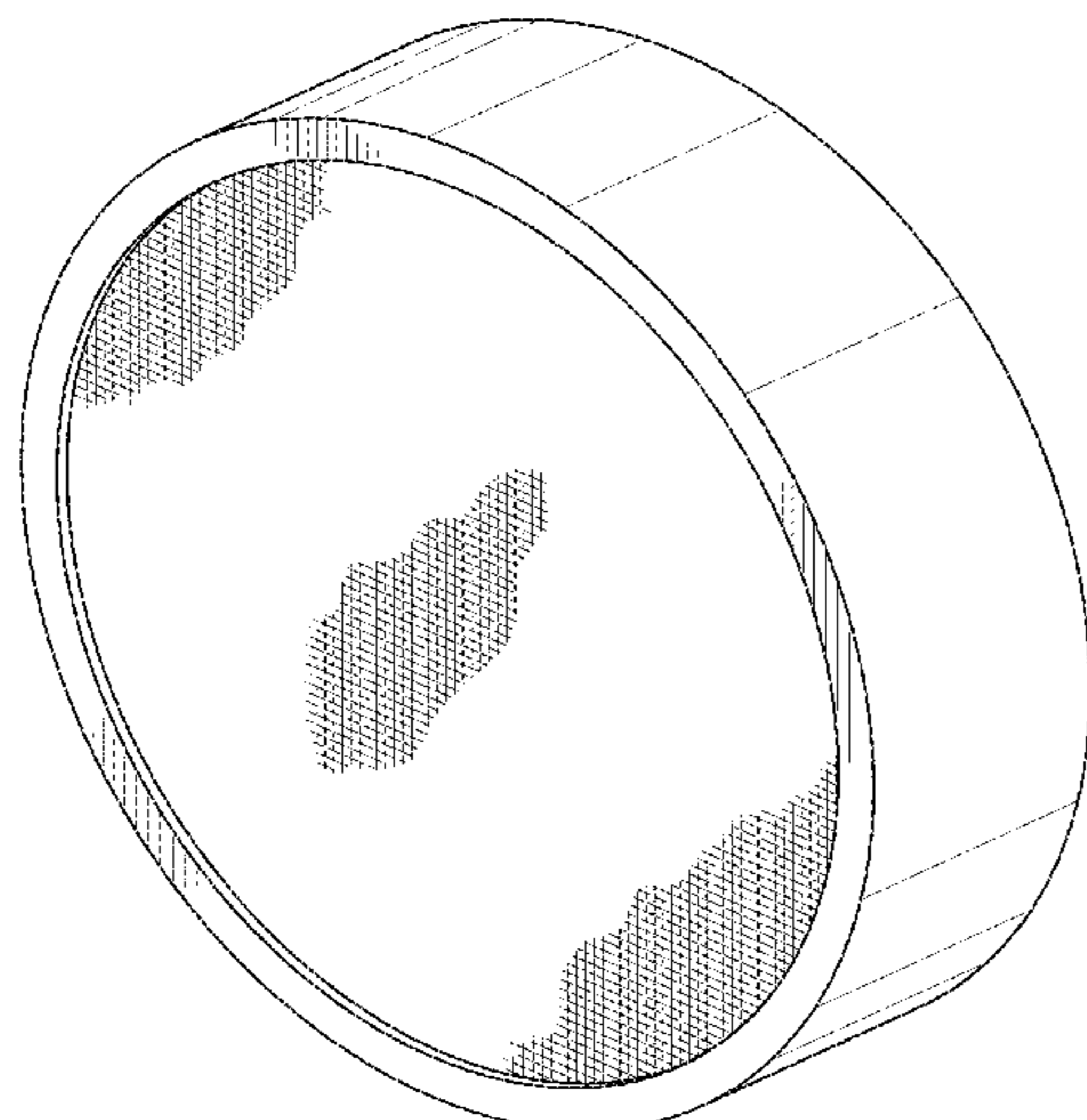
(57) **CLAIM**

The ornamental design for an audio unit, as shown and described.

DESCRIPTION

FIG. 1 is a top perspective view of the audio unit; FIG. 2 is a bottom perspective view of the audio unit; FIG. 3 is a top view of the audio unit; FIG. 4 is a bottom view of the audio unit; FIG. 5 is a front elevation of the audio unit; FIG. 6 is a rear elevation of the audio unit; and, FIG. 7 is a side elevation of the audio unit. The broken lines shown are included for the purpose of illustrating portions of the audio unit that form no part of the claim.

1 Claim, 6 Drawing Sheets



(56)

References Cited

U.S. PATENT DOCUMENTS

D586,780	S *	2/2009	Skurdal	D14/211
D591,726	S *	5/2009	Graber	D14/216
D598,018	S *	8/2009	Sumii	D14/301
D606,517	S *	12/2009	Nousiainen	D14/216
D608,347	S *	1/2010	Graber	D14/216
D617,314	S *	6/2010	Zha	D14/216
D620,480	S *	7/2010	Garrett	D14/216
7,909,212	B2 *	3/2011	Parve	B65D 47/0847 222/480
8,165,333	B2 *	4/2012	Tracy	H04R 1/26 181/145
D658,633	S *	5/2012	Chen	D14/216
D732,006	S *	6/2015	Zhao	D14/216
D743,382	S *	11/2015	Katori	D14/228
D747,296	S *	1/2016	Wise	D14/227
D752,024	S *	3/2016	Kachwalla	D14/216
D752,199	S *	3/2016	Berkman	D23/370
D756,956	S *	5/2016	Van Den Nieuwenhuizen	D14/204
D771,142	S *	11/2016	Langhammer	D14/203.6
D806,709	S *	1/2018	Gummalla	D14/358
D807,867	S *	1/2018	Kato	D14/240
D810,045	S *	2/2018	Kim	D14/204
D814,436	S *	4/2018	Wen	D14/150
D820,318	S *	6/2018	Mullins	D14/496
10,009,692	B2 *	6/2018	Tomar	H04R 9/025
2017/0026758	A1 *	1/2017	Wen	H04R 17/00

* cited by examiner

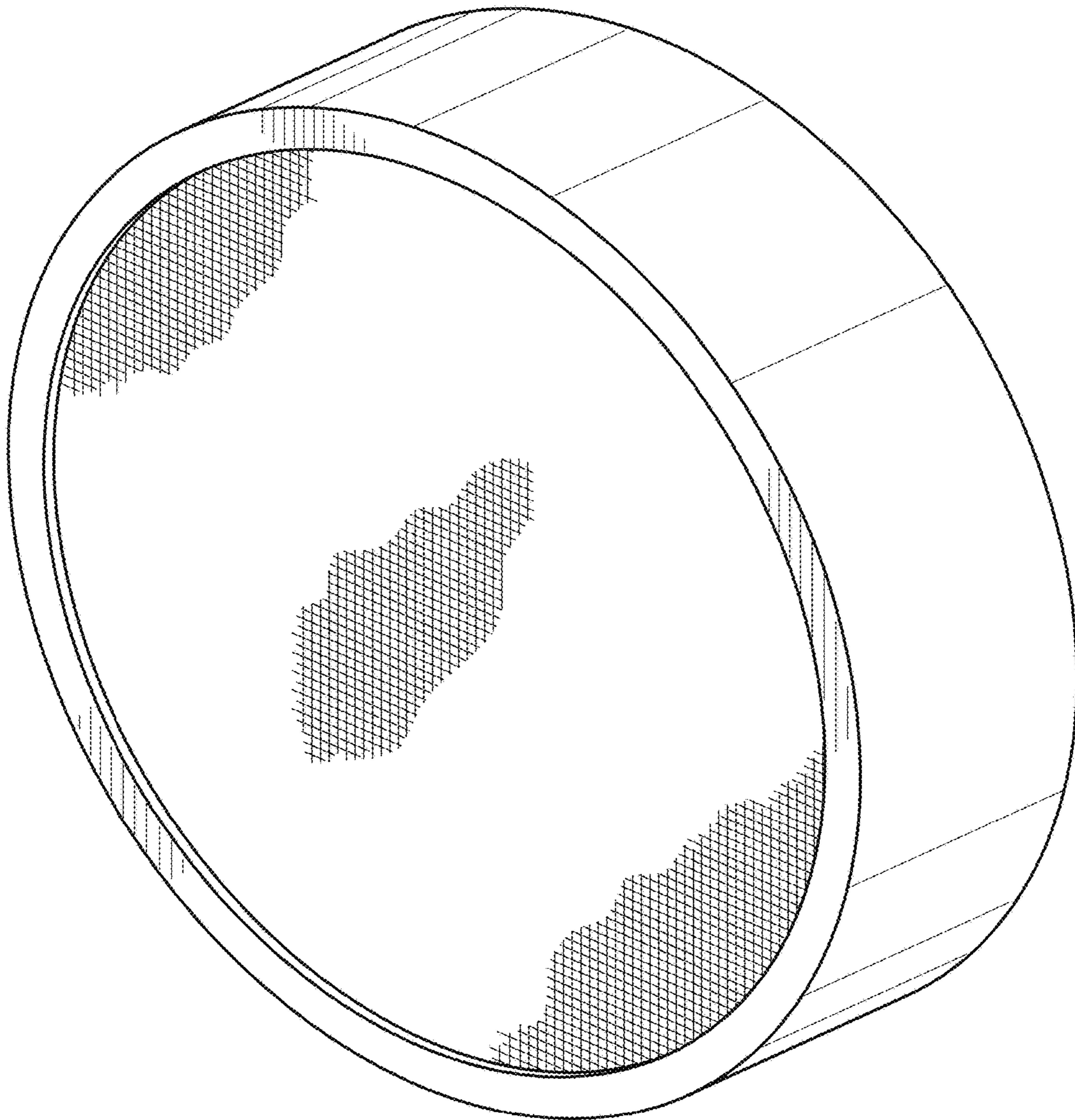


FIG. 1

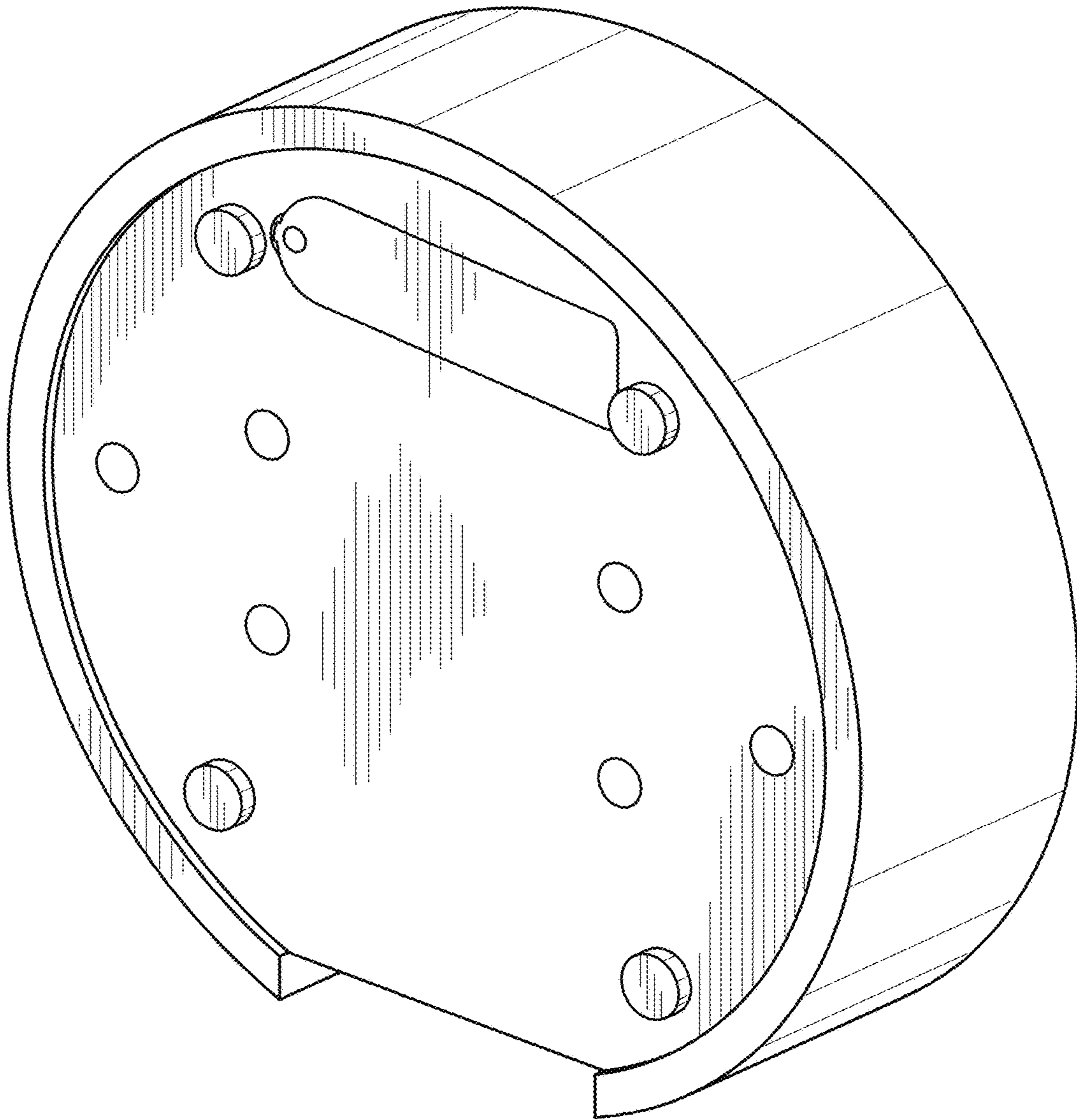


FIG. 2

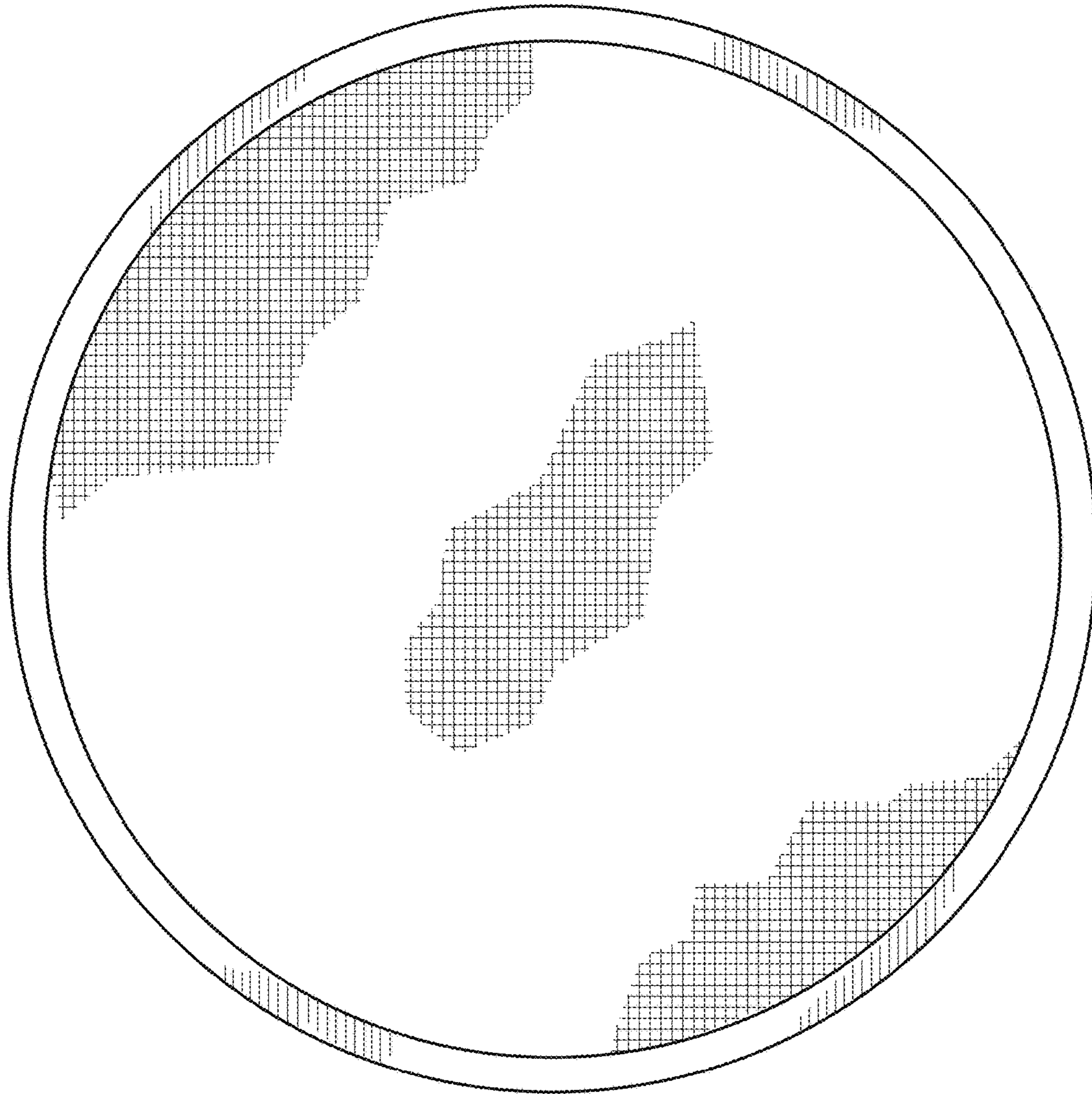


FIG. 3

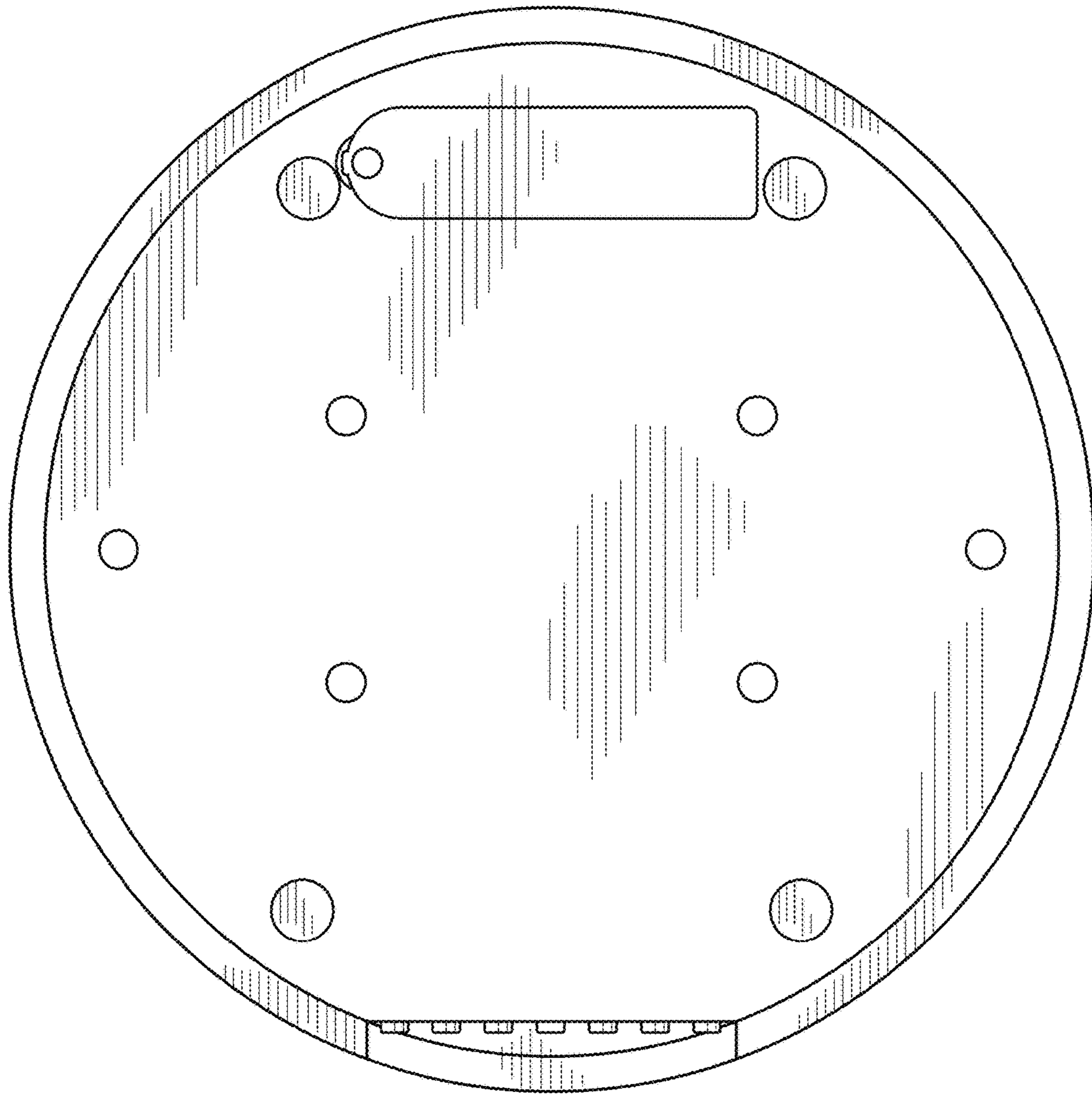


FIG. 4

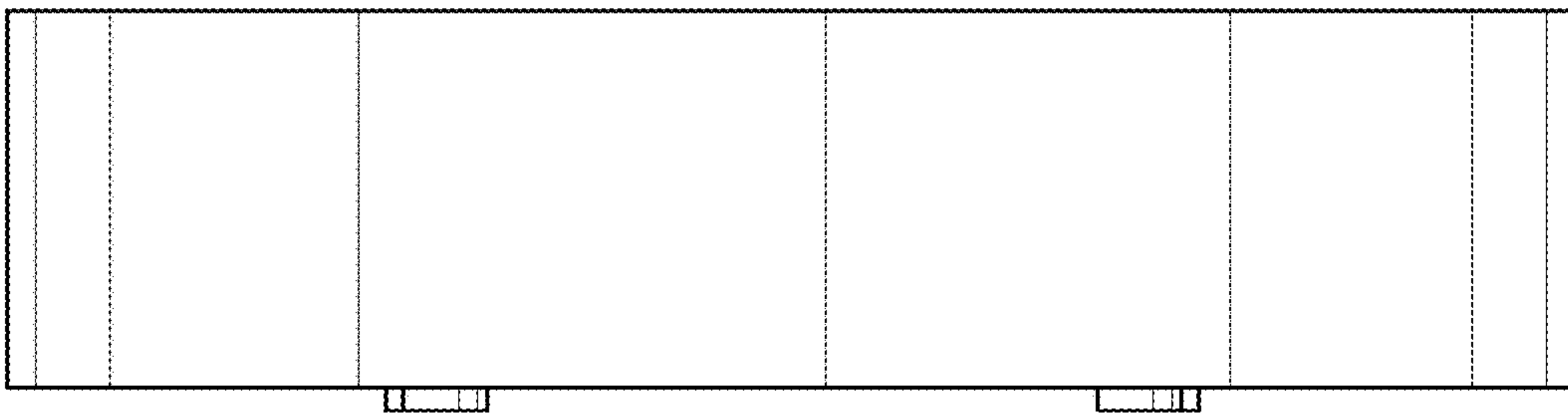


FIG. 5

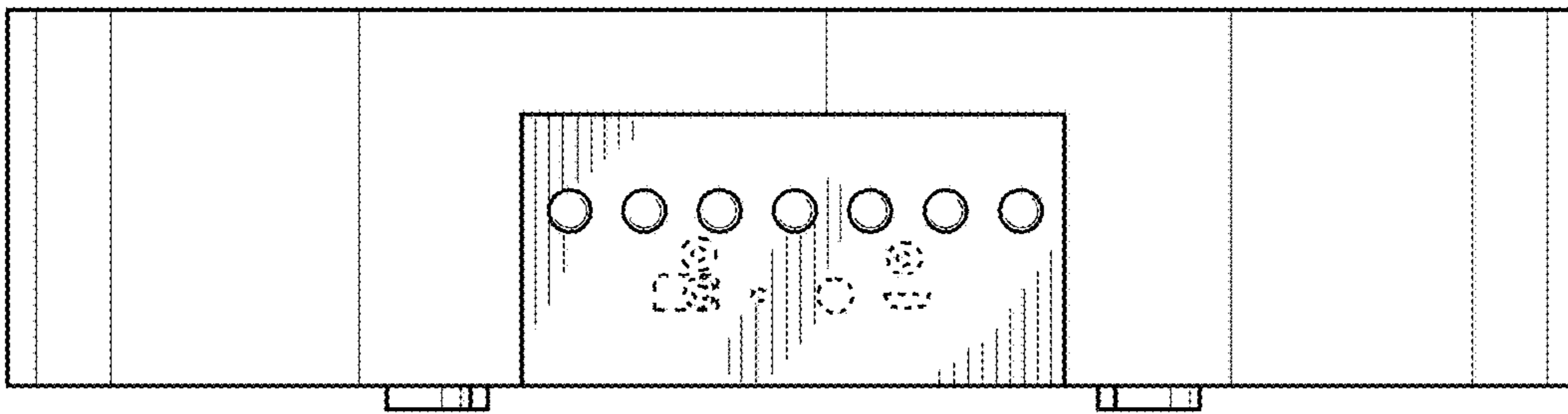


FIG. 6

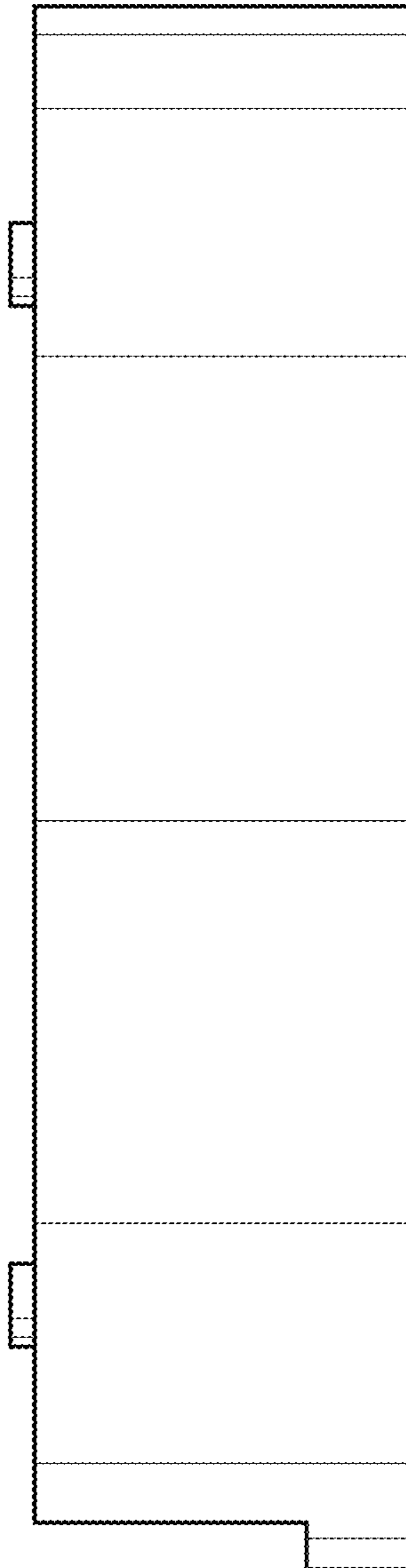


FIG. 7