



US00D835069S

(12) **United States Design Patent** (10) **Patent No.:** **US D835,069 S**
Won et al. (45) **Date of Patent:** **** Dec. 4, 2018**

(54) **AUDIO VISUAL BOX FOR TV RECEIVER**

(71) Applicant: **LG ELECTRONICS INC.**, Seoul (KR)
(72) Inventors: **Hyojin Won**, Seoul (KR); **Hyeyoung Hong**, Seoul (KR); **Yongho Lee**, Seoul (KR); **Youngkyoung Kim**, Seoul (KR)
(73) Assignee: **LG ELECTRONICS INC.**, Seoul (KR)
(**) Term: **15 Years**

(21) Appl. No.: **35/502,879**
(22) Filed: **Oct. 25, 2016**

(80) **Hague Agreement Data**

Int. Filing Date: **Oct. 25, 2016**
Int. Reg. No.: **DM/093238**
Int. Reg. Date: **Oct. 25, 2016**
Int. Reg. Pub. Date: **Apr. 28, 2017**

(30) **Foreign Application Priority Data**

Apr. 27, 2016 (KR) 30-2016-0020197

(51) **LOC (11) Cl.** **14-01**
(52) **U.S. Cl.**
USPC **D14/215**

(58) **Field of Classification Search**
USPC D14/125-126, 129, 132-133, 375-376, D14/451, 221, 224, 224.1, 239, 242, 204,
(Continued)

(56) **References Cited**

U.S. PATENT DOCUMENTS

D285,198 S * 8/1986 Danielson D14/142
D442,943 S * 5/2001 Chang D14/215
(Continued)

OTHER PUBLICATIONS

Trager, Christian, Sony HT-NT5: test of the TV speaker, posted at Computerbild, posting date Aug. 25, 2016. [online][site visited Mar. 13, 2018] URL: <http://www.computerbild.de/artikel/avf-Tests-Audio-Sony-HT-NT5-Soundbar-TV-Lautsprecher-Test-16201547.html> (Year: 2016).*

(Continued)

Primary Examiner — George D. Kirschbaum

Assistant Examiner — Kathleen L Jones

(74) *Attorney, Agent, or Firm* — Birch, Stewart, Kolasch & Birch, LLP

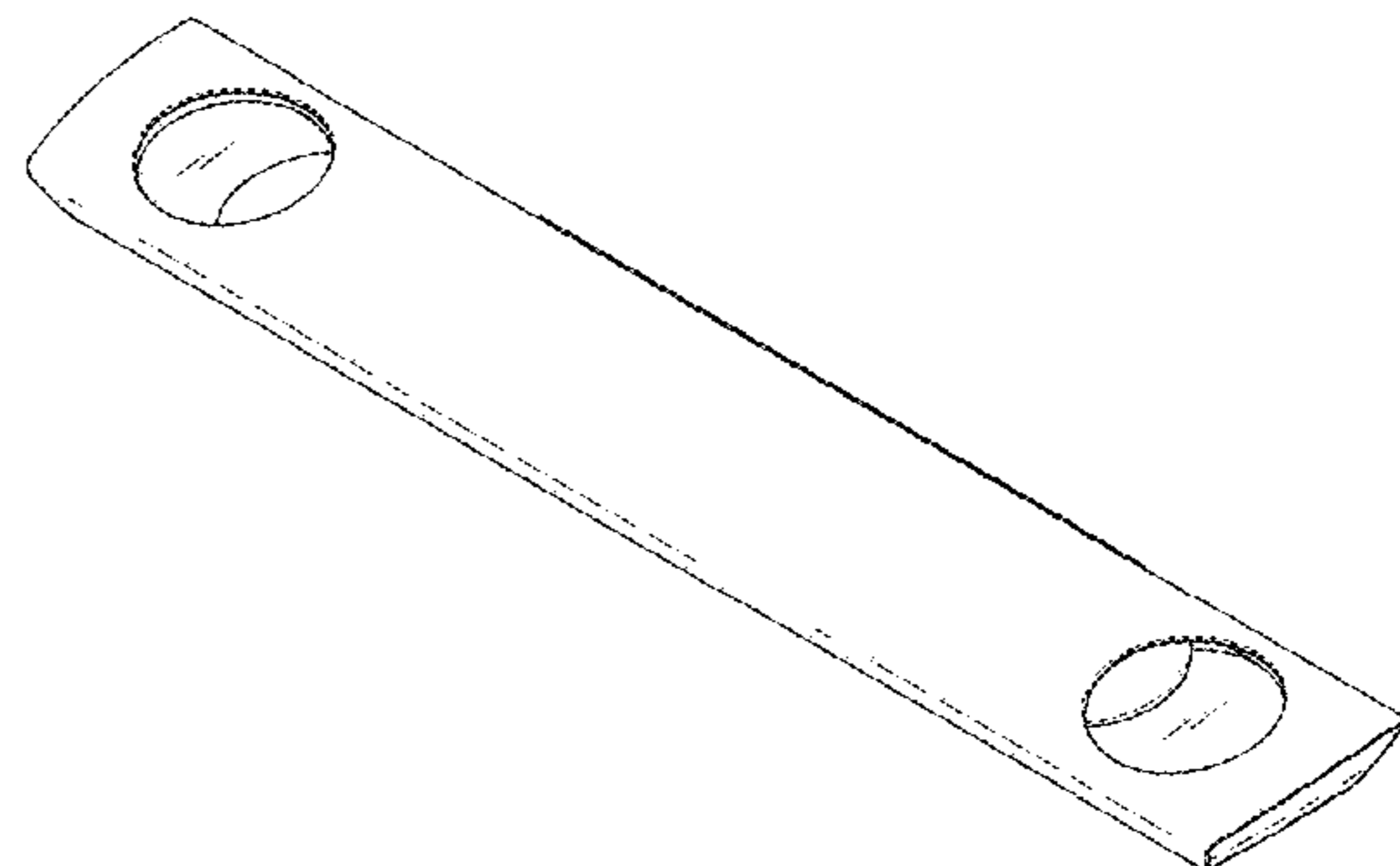
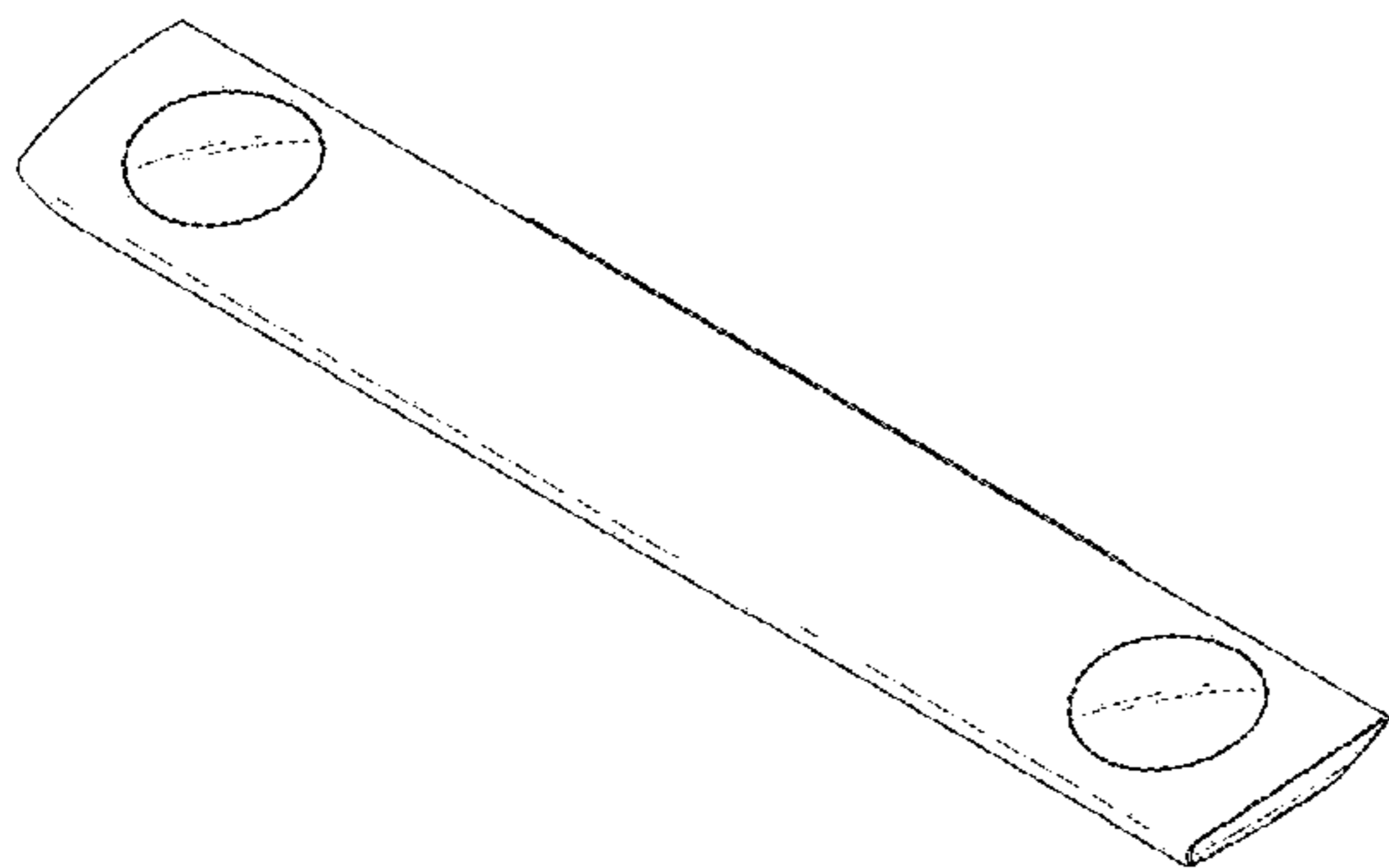
(57) **CLAIM**

The ornamental design for an audio visual box for TV receiver, as shown and described.

DESCRIPTION

- 1. Audio visual box for TV receiver
- 1.1 is a front perspective view of an audio visual box for TV receiver.
- 1.2 is a front view thereof.
- 1.3 is a back view thereof.
- 1.4 is a left side view thereof.
- 1.5 is a right side view thereof.
- 1.6 is a top view thereof.
- 1.7 is a bottom view thereof.
- 1.8 is a front perspective view of an audio visual box for TV receiver in an alternate position.
- 1.9 is a front view thereof.
- 1.10 is a back view thereof.
- 1.11 is a left side view thereof.
- 1.12 is a right side view thereof.
- 1.13 is a top view thereof.
- 1.14 is a bottom view thereof.
- 1.15 is a front perspective view of an audio visual box for TV receiver in an alternate position.
- 1.16 is a front view thereof.
- 1.17 is a back view thereof.
- 1.18 is a left side view thereof.
- 1.19 is a right side view thereof.
- 1.20 is a top view thereof.

(Continued)



1.21 is a bottom view thereof.
 1.22 is a front perspective view of an audio visual box for TV receiver in an alternate position.
 1.23 is a front view thereof.
 1.24 is a back view thereof.
 1.25 is a left side view thereof.
 1.26 is a right side view thereof.
 1.27 is a top view thereof.
 1.28 is a bottom view thereof.
 The broken lines shown in the figures depict portions of the audio visual box for TV receiver that form no part of the claimed design.

1 Claim, 12 Drawing Sheets

(58) **Field of Classification Search**

USPC D14/209.1, 210, 211, 214–216, 357–358,
 D14/496, 172, 194–195
 CPC . B60R 11/0217; B60R 11/0223; H04R 1/023;
 H04R 1/025; H04R 1/323; H04R 5/02;
 H04R 19/02; H04F 2400/00; H04F
 2400/07; H04F 2400/11; G06F 1/16
 See application file for complete search history.

(56) **References Cited**

U.S. PATENT DOCUMENTS

6,600,827 B2 * 7/2003 Lu G06F 1/1605
 248/316.4
 D578,109 S * 10/2008 Han D14/215

D589,519 S * 3/2009 Smith D14/461
 D590,373 S * 4/2009 Brickstad D14/215
 D629,388 S * 12/2010 Son D14/214
 D701,187 S * 3/2014 Sung D14/126
 D710,823 S * 8/2014 Woo D14/214
 D720,723 S * 1/2015 Cho D14/215
 D784,287 S * 4/2017 Murray D14/168
 D802,560 S * 11/2017 Kitazawa D14/214
 D812,028 S * 3/2018 Kim D14/126
 D821,342 S * 6/2018 Kim D14/126
 2014/0064541 A1 * 3/2014 Guenther H04R 1/288
 381/351

OTHER PUBLICATIONS

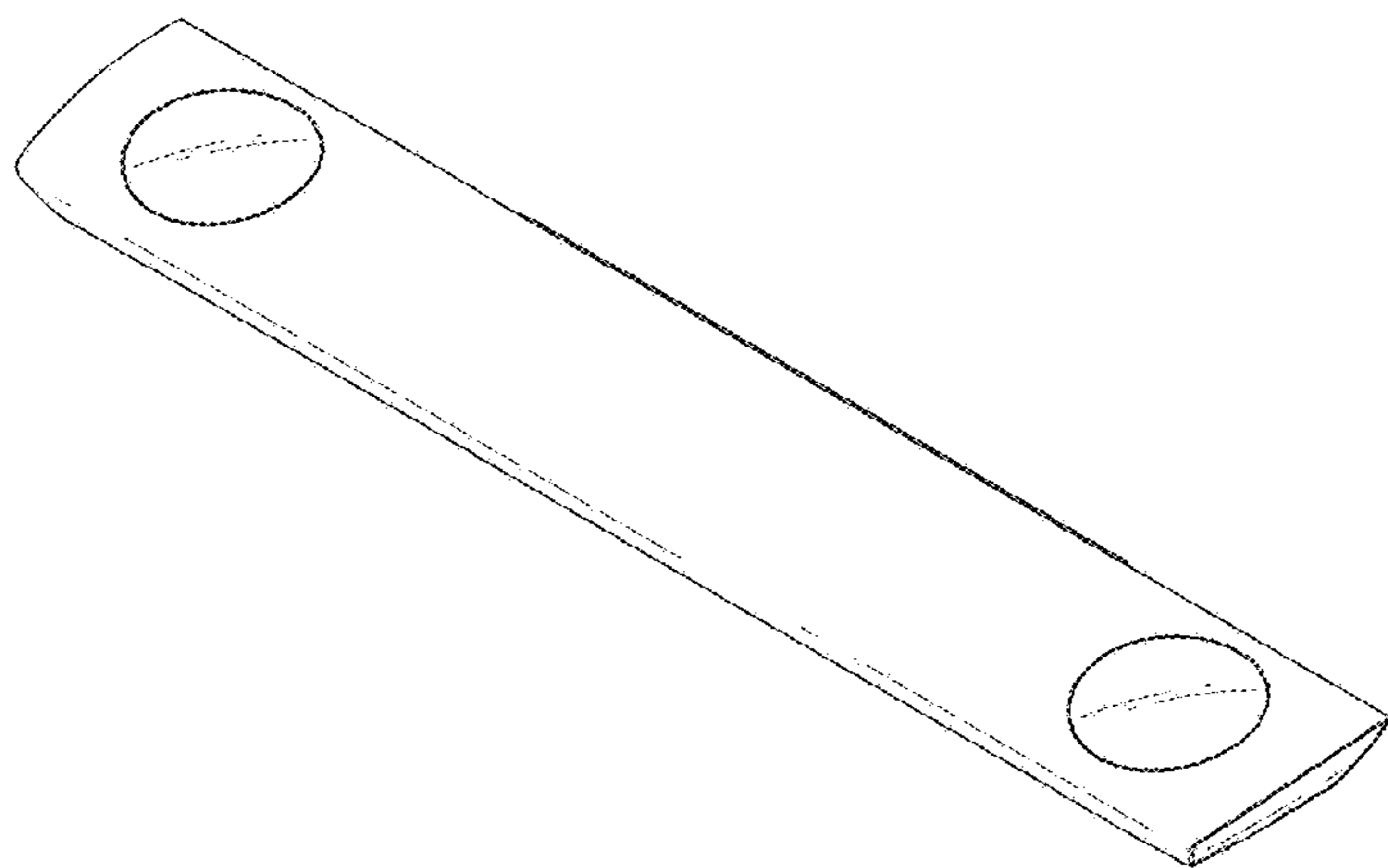
Yamaha YAS-201, posted at Crutchfield, comment posting date Jan. 5, 2014. [online][site visited Mar. 24, 2018] URL: <https://www.crutchfield.com/S-17N8o9MJmXP/p_022YAS201/Yamaha-YAS-201.html?tp=47366> (Year: 2014).*

Larsen, Rasmus, LG brings Dolby Atmos to SJ9 soundbar, posted at FlatpanelsHD, posting date Jan. 10, 2017. [online][site visited Mar. 13, 2018] URL: <<https://www.flatpanelshd.com/news.php?subaction=showfull&id=1484046315>> (Year: 2017).*

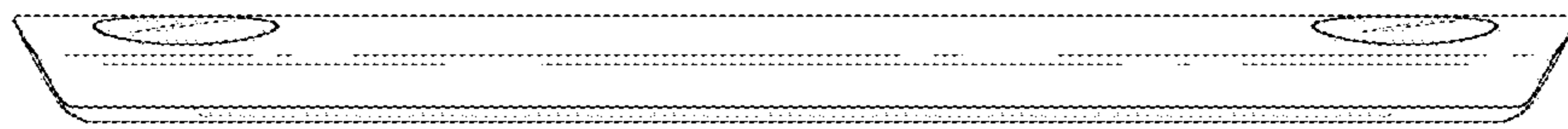
Langridge, Max, Best of CES 2017—Speakers: B&O, LG, and more, posted at Pocket lint, posting date Jan. 9, 2017. [online][site visited Mar. 13, 2018] URL: <<https://www.pocket-lint.com/speakers/buyers-guides/140420-best-of-ces-2017-speakers-b-o-lg-and-more>> (Year: 2017).*

* cited by examiner

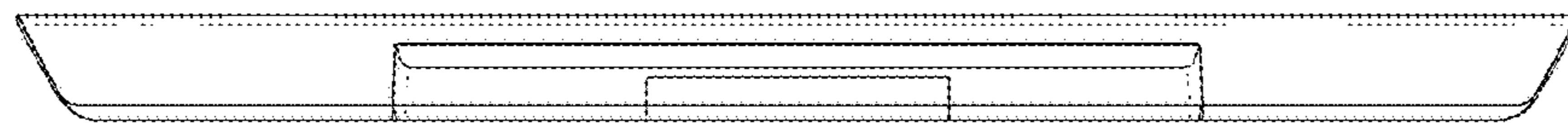
1.1



1.2



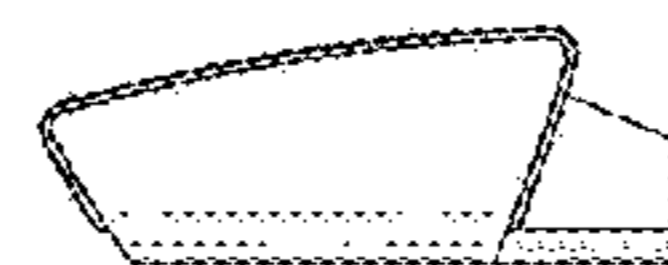
1.3



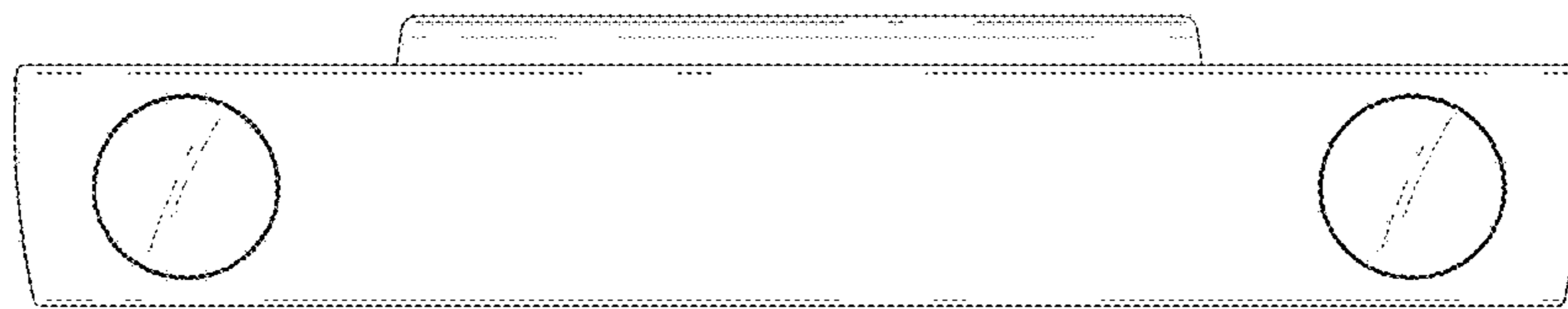
1.4



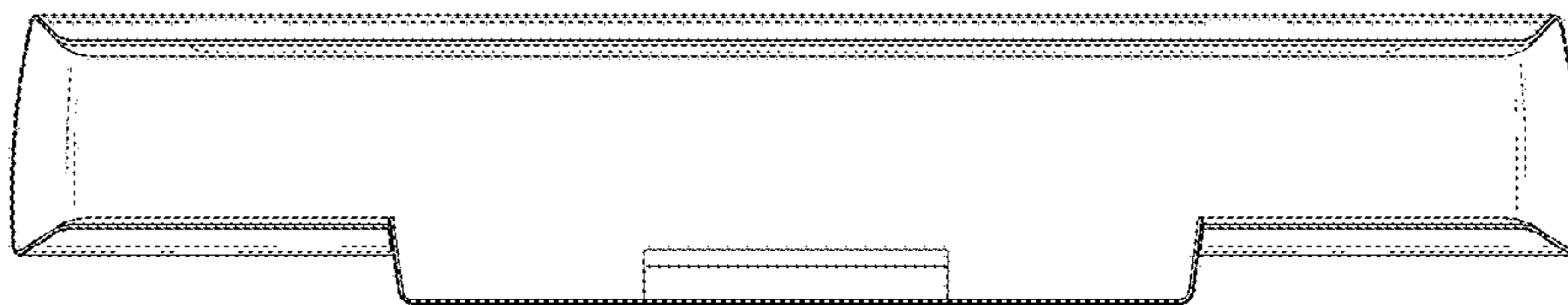
1.5



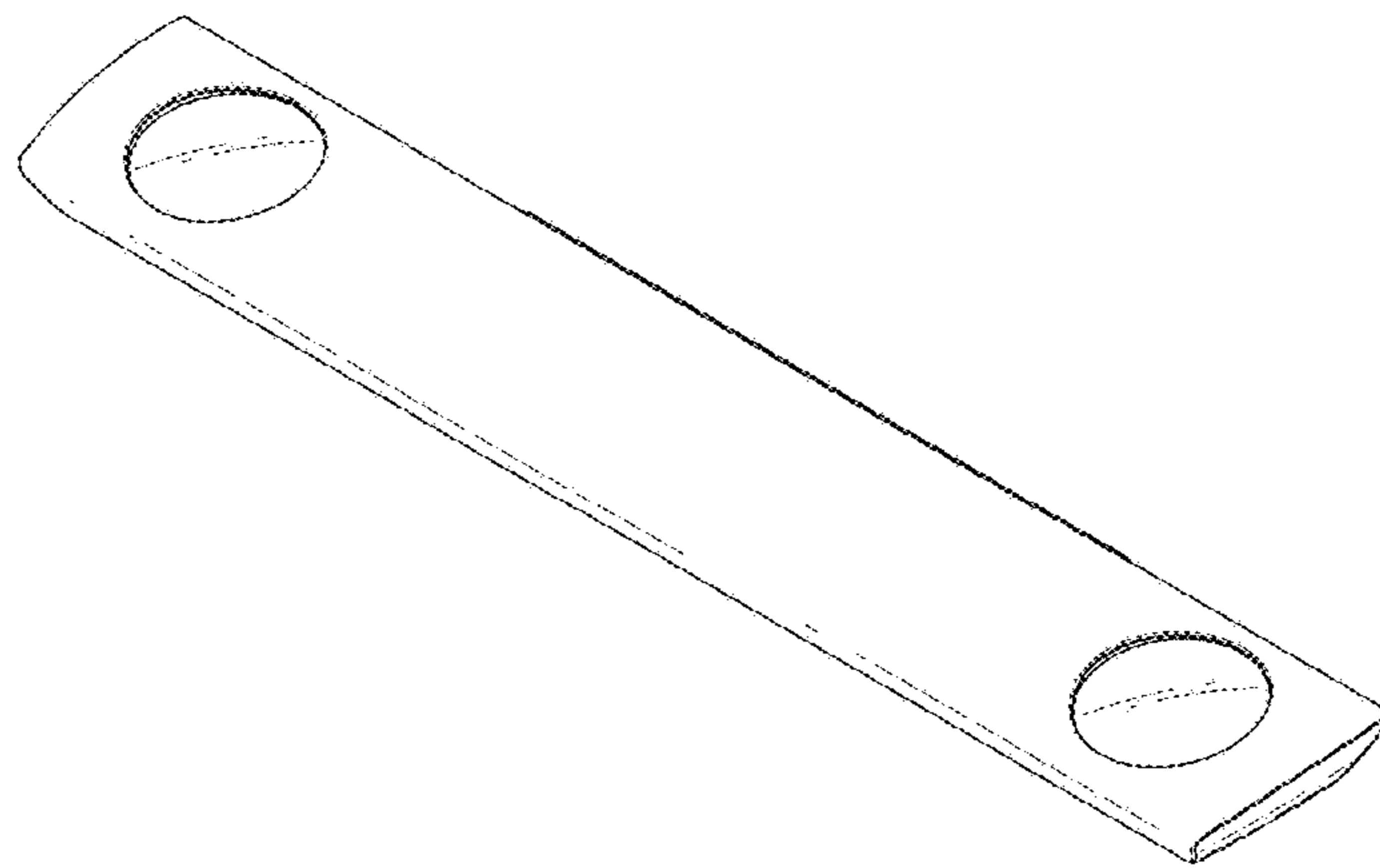
1.6



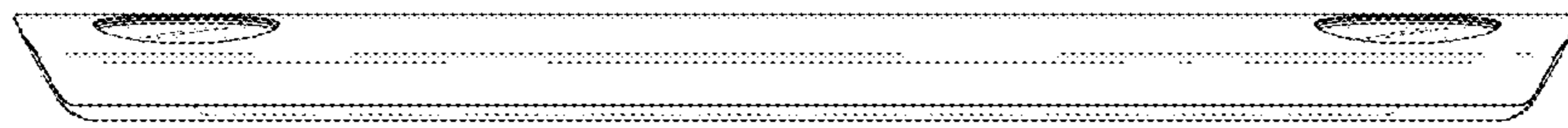
1.7



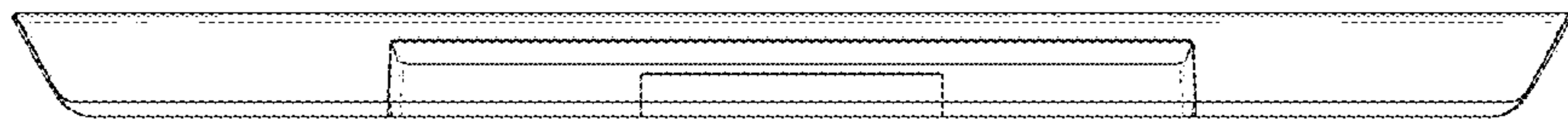
1.8



1.9



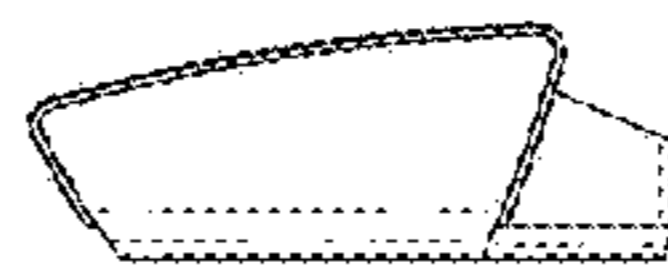
1.10



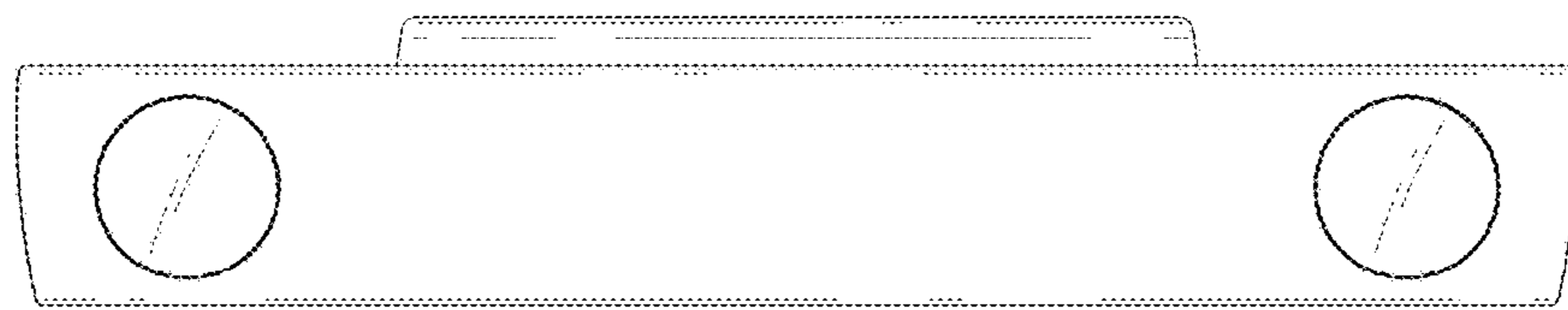
1.11



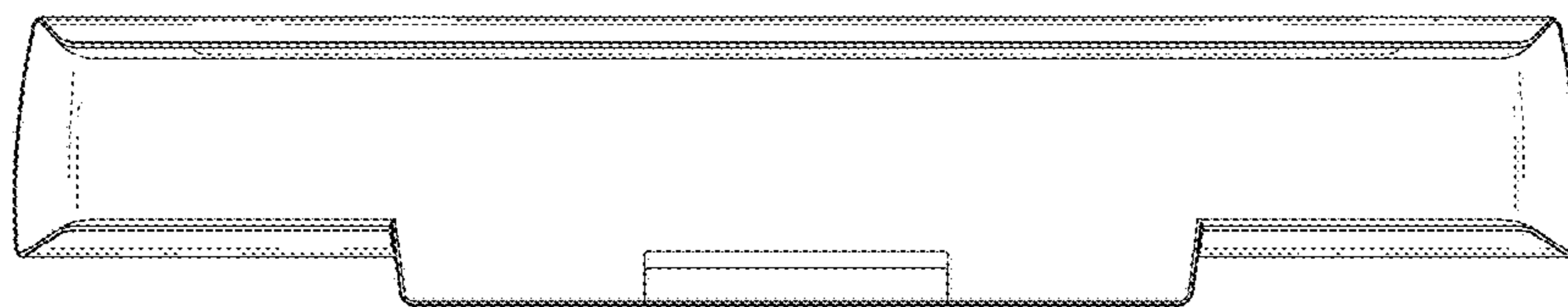
1.12



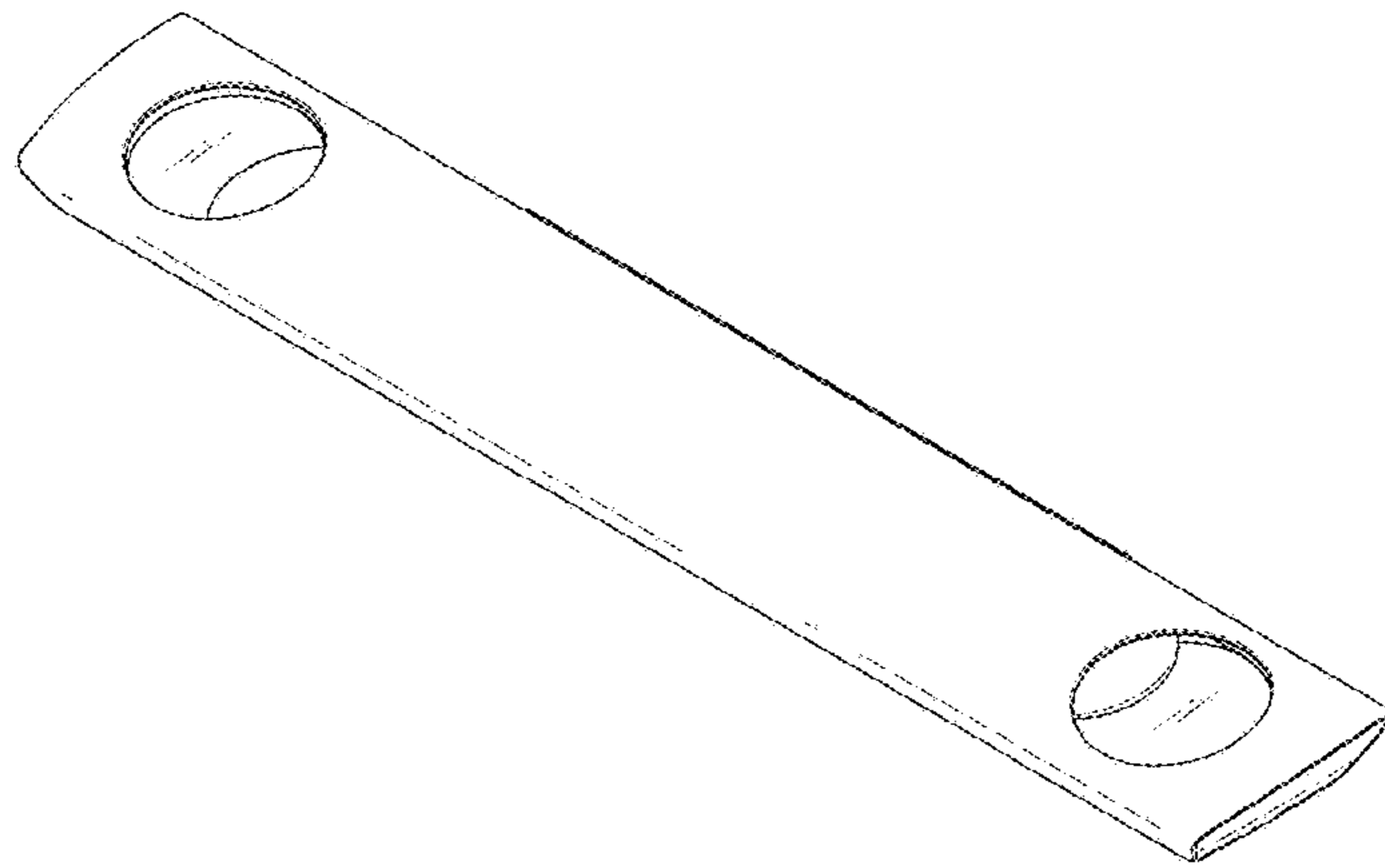
1.13



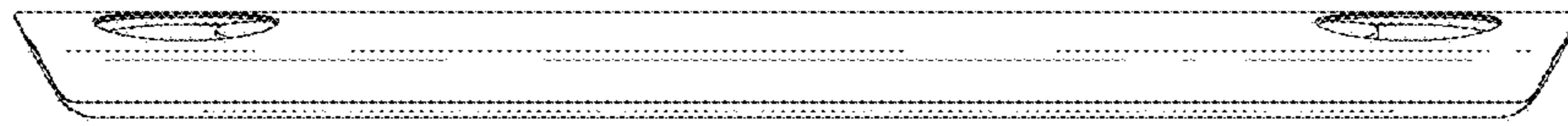
1.14



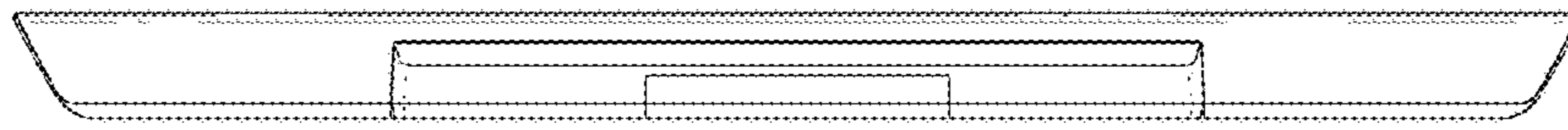
1.15



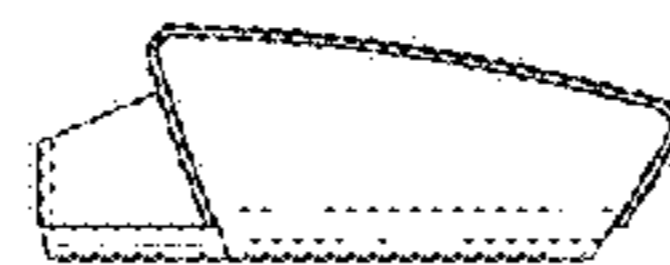
1.16



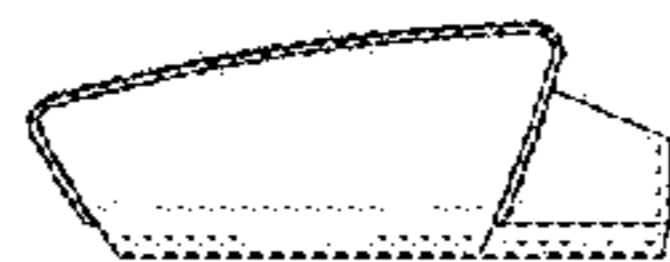
1.17



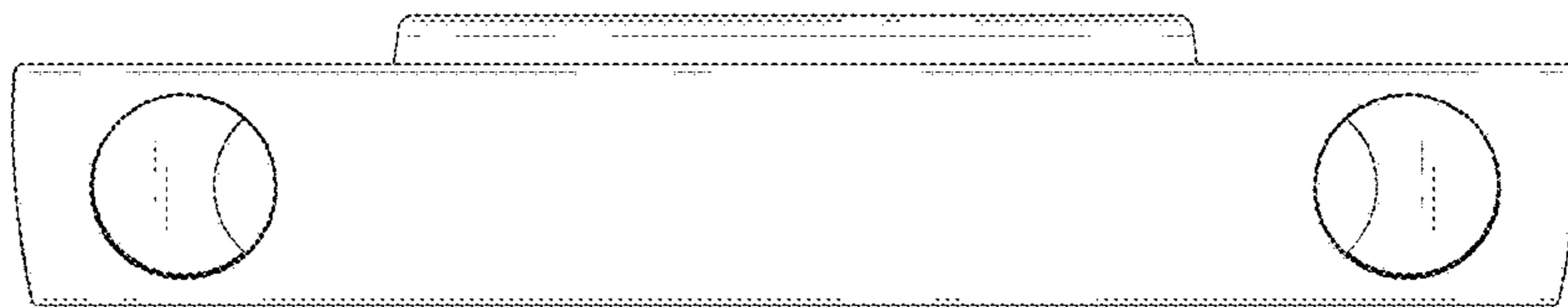
1.18



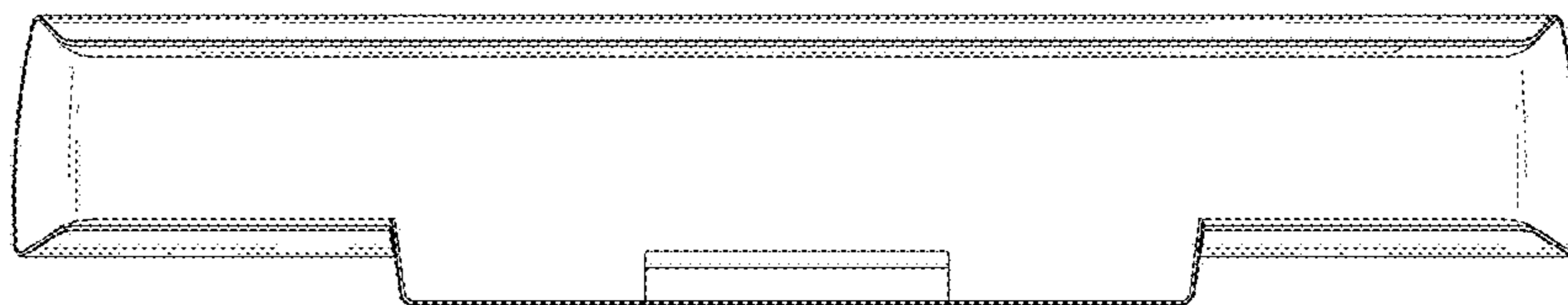
1.19



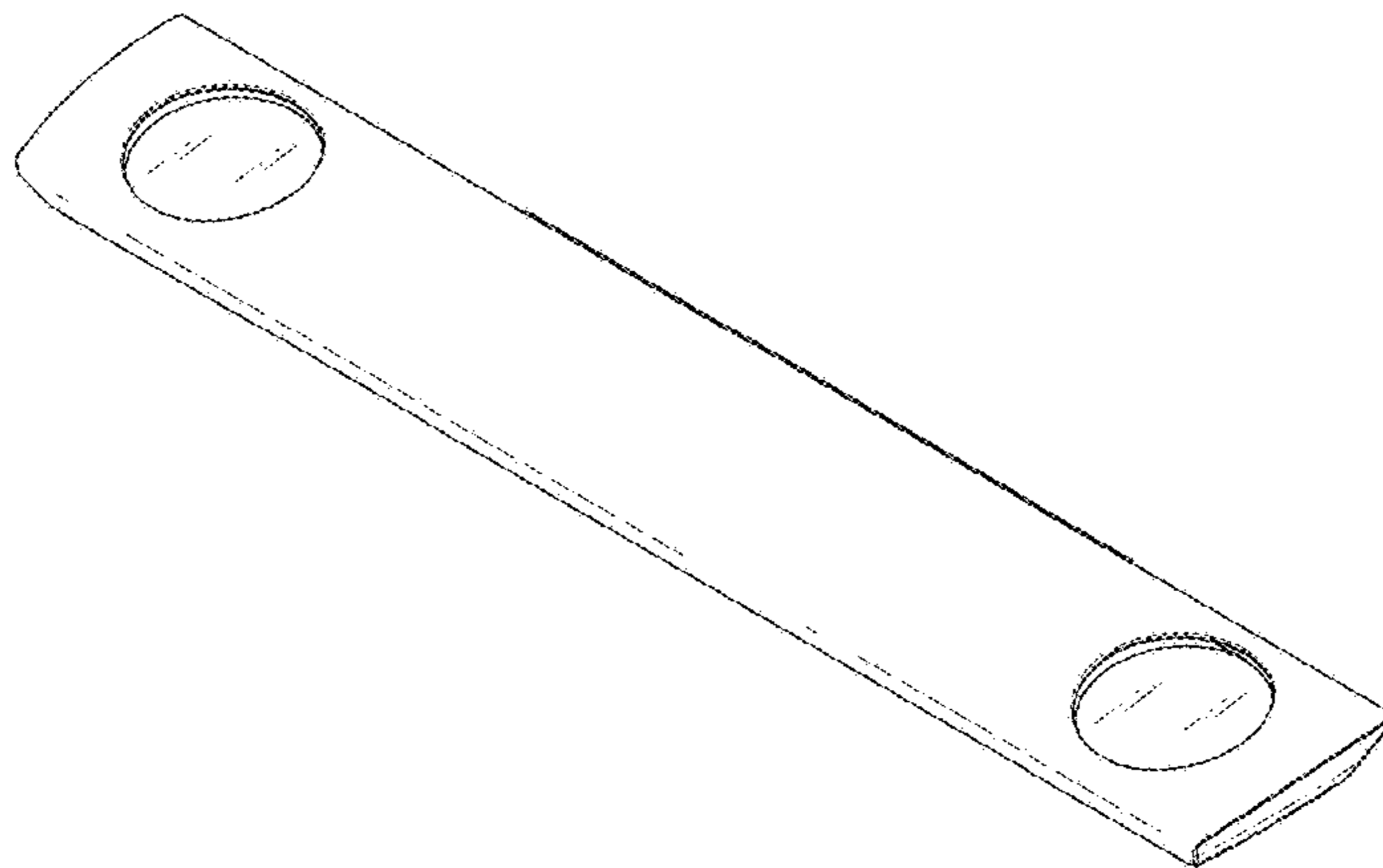
1.20



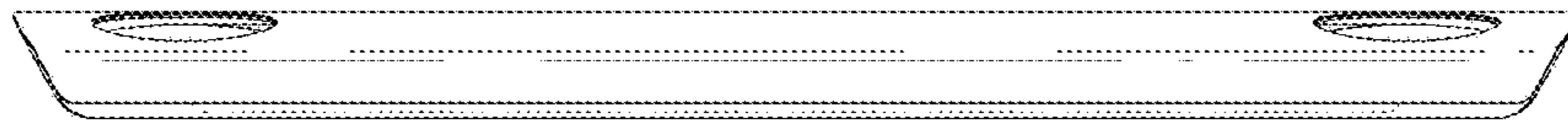
1.21



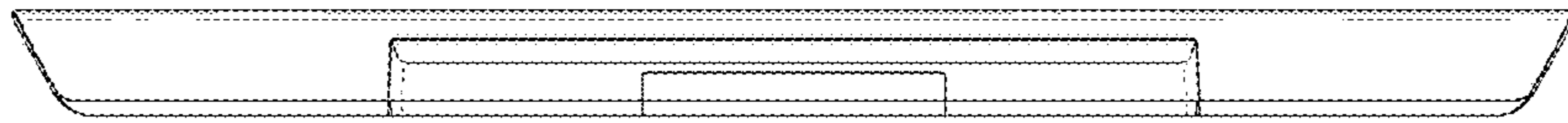
1.22



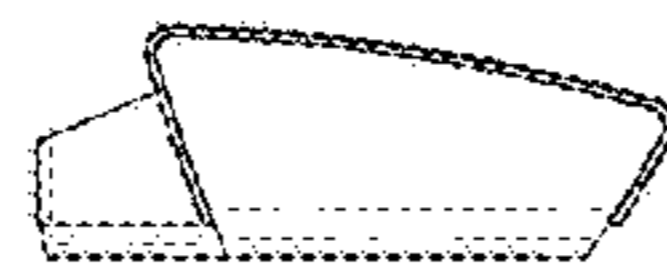
1.23



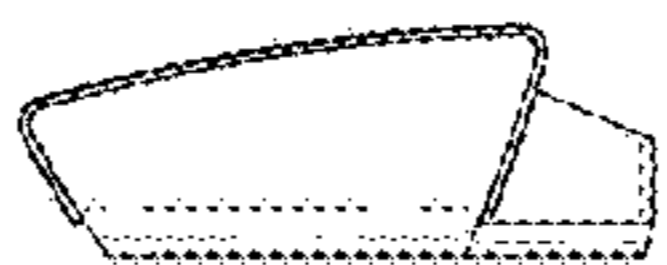
1.24



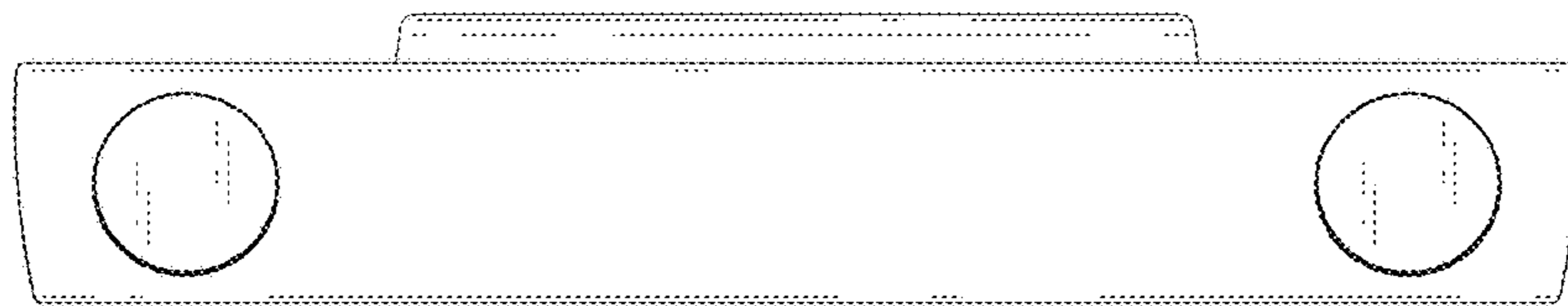
1.25



1.26



1.27



1.28

