



US00D835068S

(12) **United States Design Patent** (10) **Patent No.:** **US D835,068 S**
Chen (45) **Date of Patent:** **** Dec. 4, 2018**

(54) **MICRO SPEAKER**

(71) Applicant: **Ching-Wen Chen**, Taipei (TW)

(72) Inventor: **Ching-Wen Chen**, Taipei (TW)

(**) Term: **15 Years**

(21) Appl. No.: **29/563,184**

(22) Filed: **May 3, 2016**

(51) **LOC (11) Cl.** **14-03**

(52) **U.S. Cl.**
USPC **D14/214**

(58) **Field of Classification Search**

USPC D14/167, 168, 170–172, 188, 194–196,
D14/204, 207, 209.1, 210–216, 219, 221,
D14/222, 224, 239, 496; 181/143, 144,
181/147, 148, 150, 153, 157, 198, 199;
381/300–303, 306, 332, 333, 336, 345,
381/361–364, 386–388; 369/6–12
CPC B60R 11/0217; G06F 1/1688; G10K 9/22;
G10K 11/004; H03F 1/327; H04M 1/03;
H04M 1/035; H04N 5/642; H04N
21/4852; H04R 1/02; H04R 1/06; H04R
1/021; H04R 1/025; H04R 1/026; H04R
1/028; H04R 1/105; H04R 1/323; H04R
1/403; H04R 1/2803; H04R 1/2834;
H04R 5/02; H04R 7/20; H04R 9/06;
H04R 9/025; H04R 2201/021; H04R
2400/00; H04R 2400/07; H04R 2499/11;
H04R 2499/13; H04R 2499/15; H04S
3/00; H04S 7/30

See application file for complete search history.

(56) **References Cited**

U.S. PATENT DOCUMENTS

D586,782 S *	2/2009	Kim	D14/214
D675,594 S *	2/2013	Lee	D14/188
D678,243 S *	3/2013	McManigal	D14/214
D714,249 S *	9/2014	Carney	D14/140
D725,624 S *	3/2015	Carney	D14/140
D726,682 S *	4/2015	Kim	D14/170
D755,160 S *	5/2016	Ponce	D14/214
D756,957 S *	5/2016	Nylen	D14/204
D769,224 S *	10/2016	Xu	D14/215

* cited by examiner

Primary Examiner — Keli L Hill

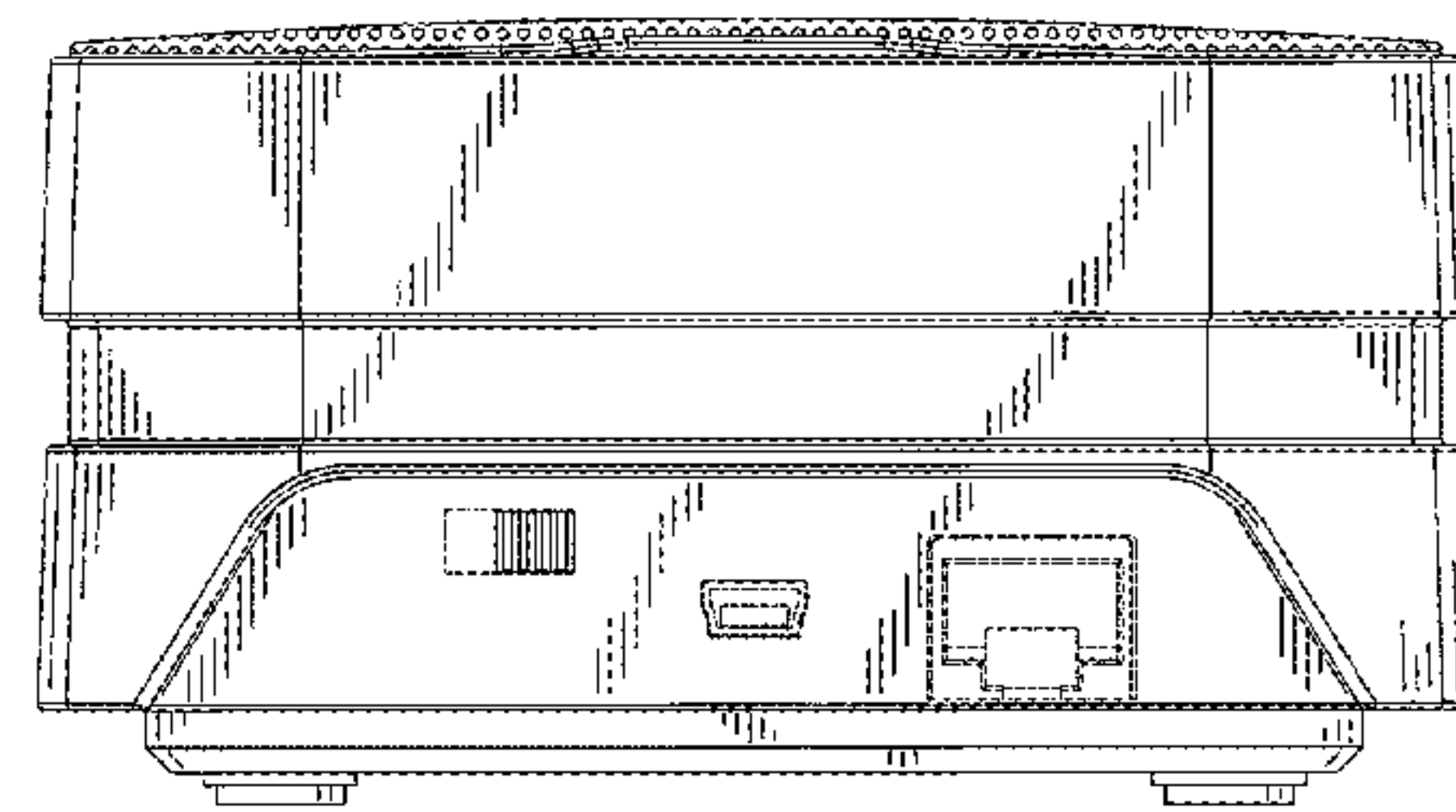
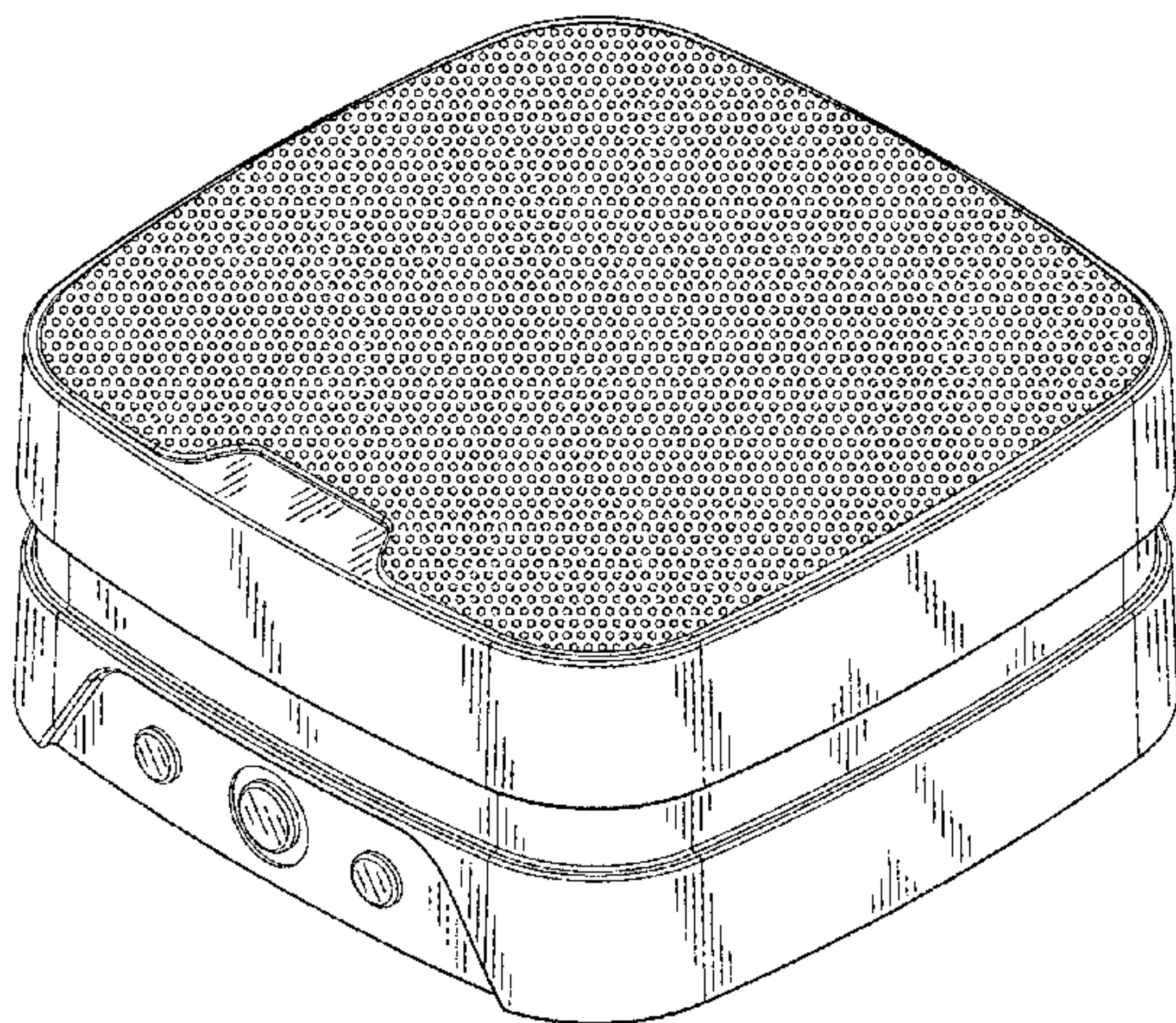
(57) **CLAIM**

The ornamental design for a micro speaker, as shown and described.

DESCRIPTION

FIG. 1 is a top perspective view of a micro speaker.
FIG. 2 is a front view of a micro speaker.
FIG. 3 is a rear view of a micro speaker.
FIG. 4 is a left side view of a micro speaker.
FIG. 5 is a right side view of a micro speaker.
FIG. 6 is a top view of a micro speaker; and,
FIG. 7 is a bottom view of a micro speaker.
The broken lines shown in the drawings represent unclaimed portions of the micro speaker and form no part of the claimed design.

1 Claim, 5 Drawing Sheets



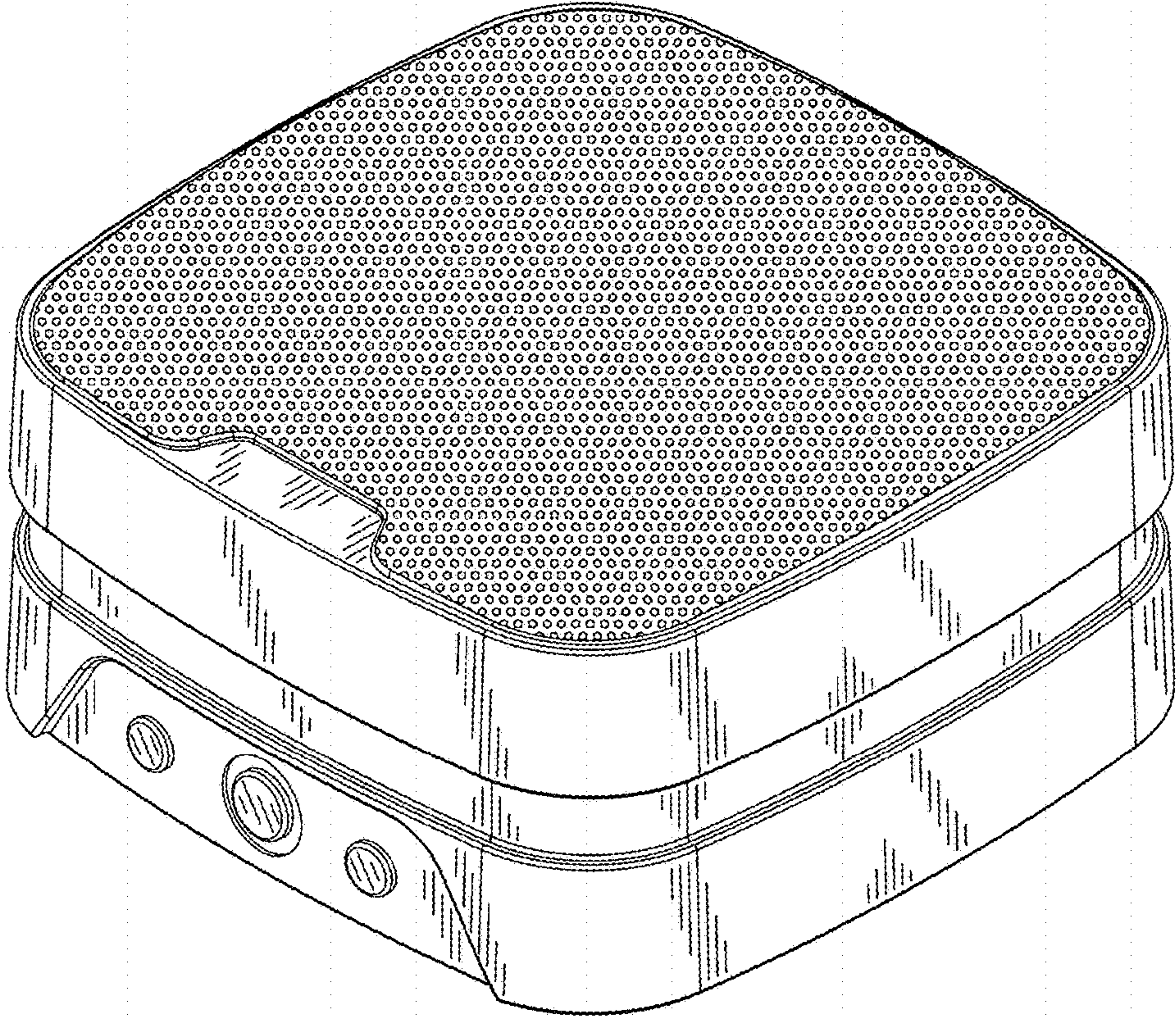


Fig.1

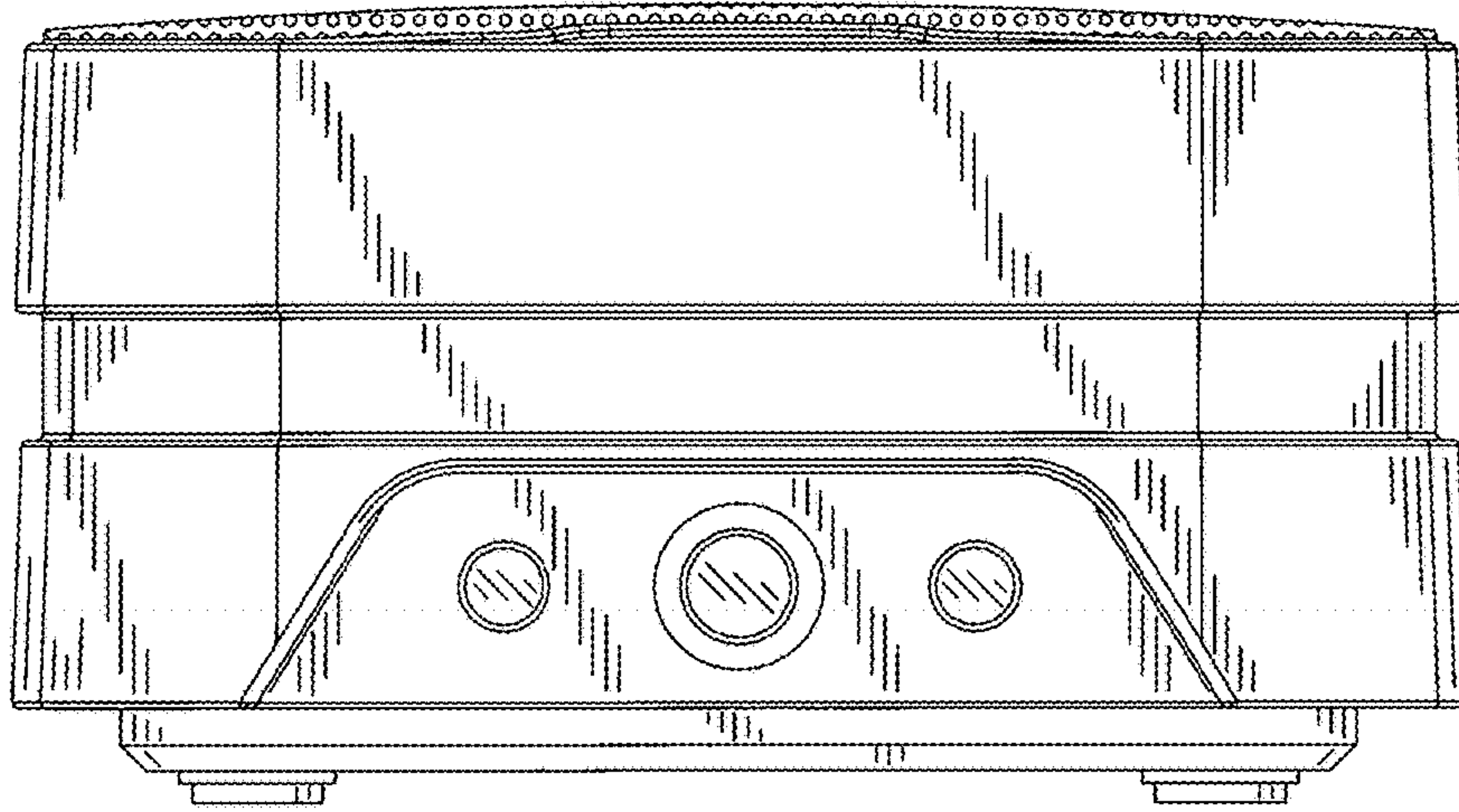


Fig.2

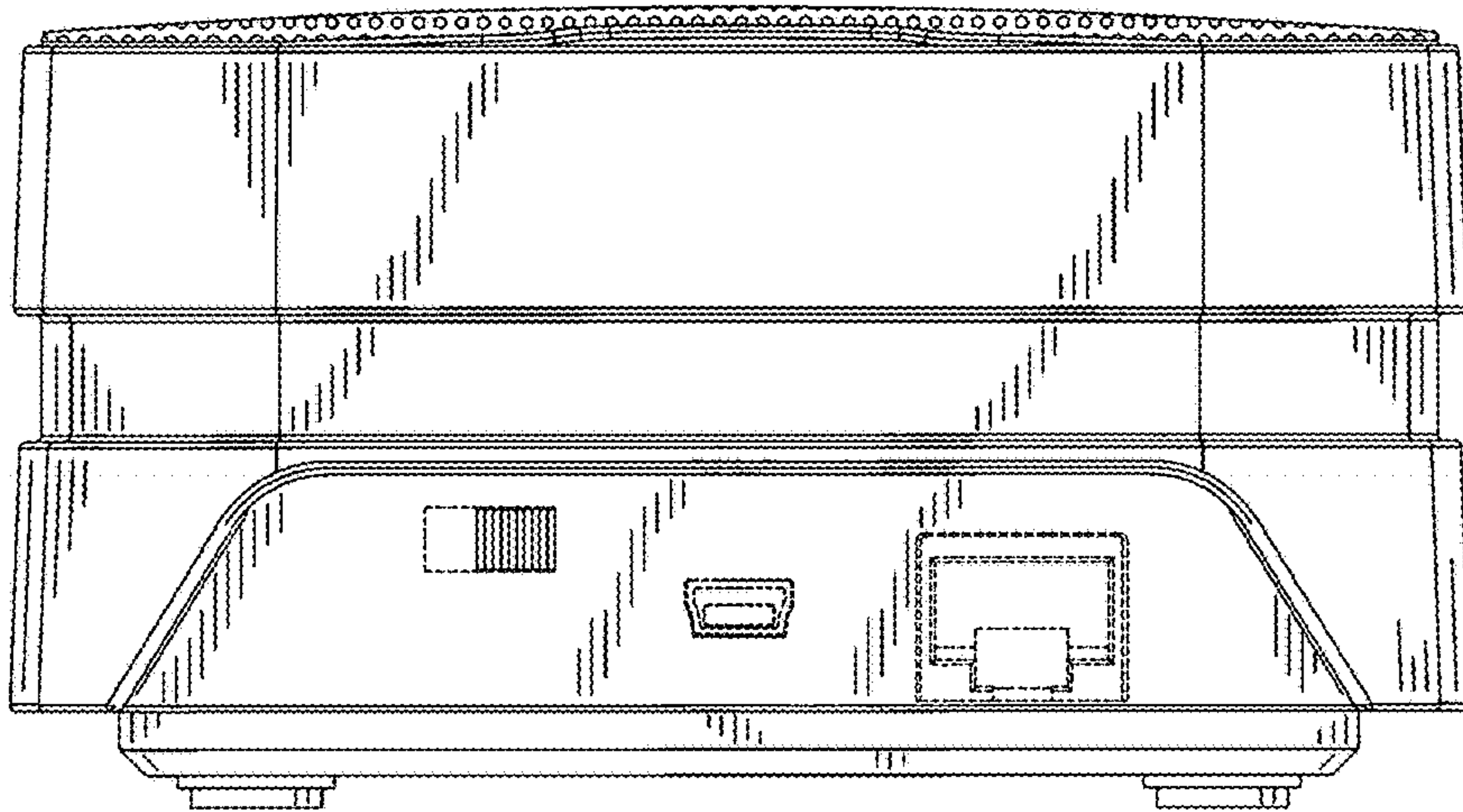


Fig.3

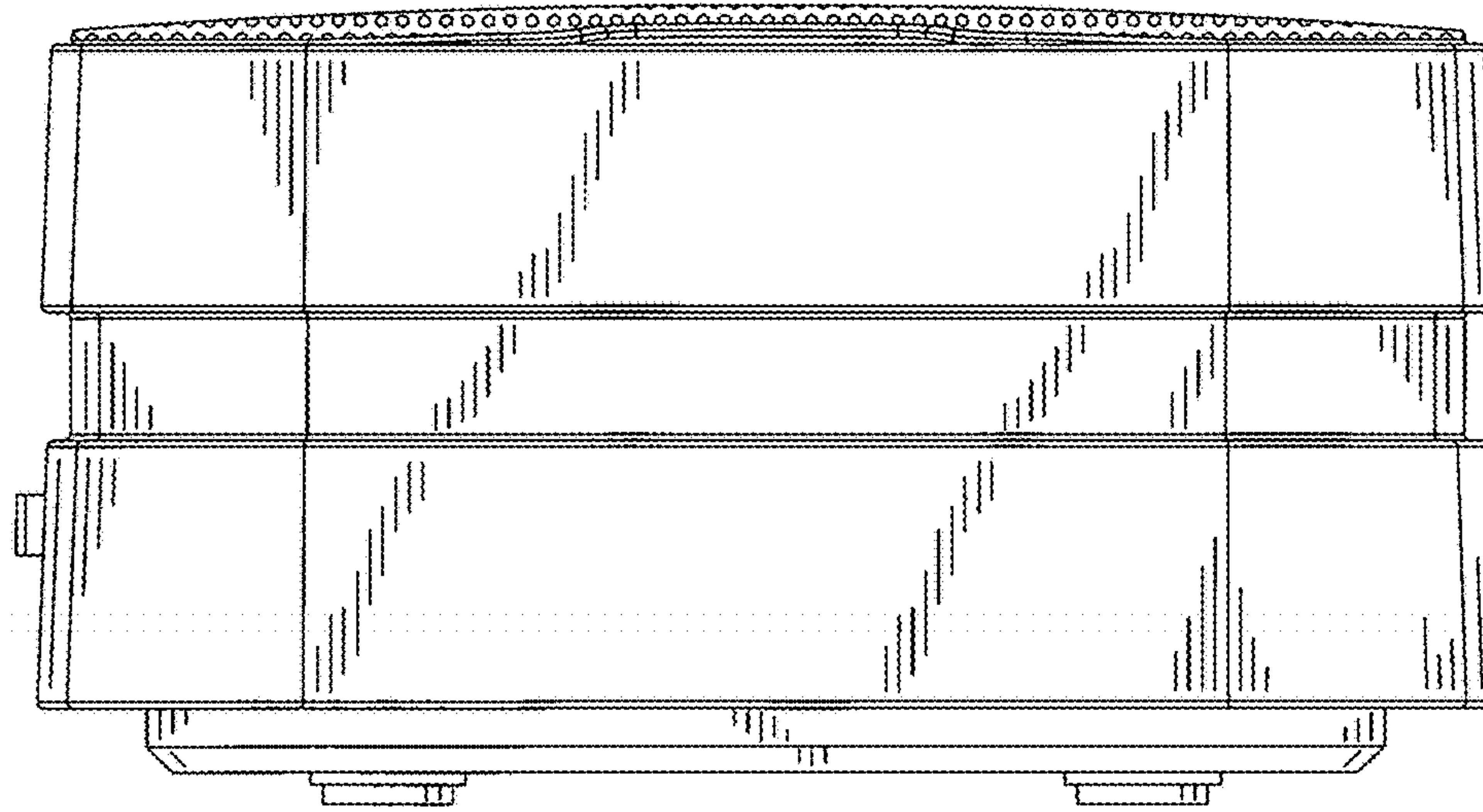


Fig. 4

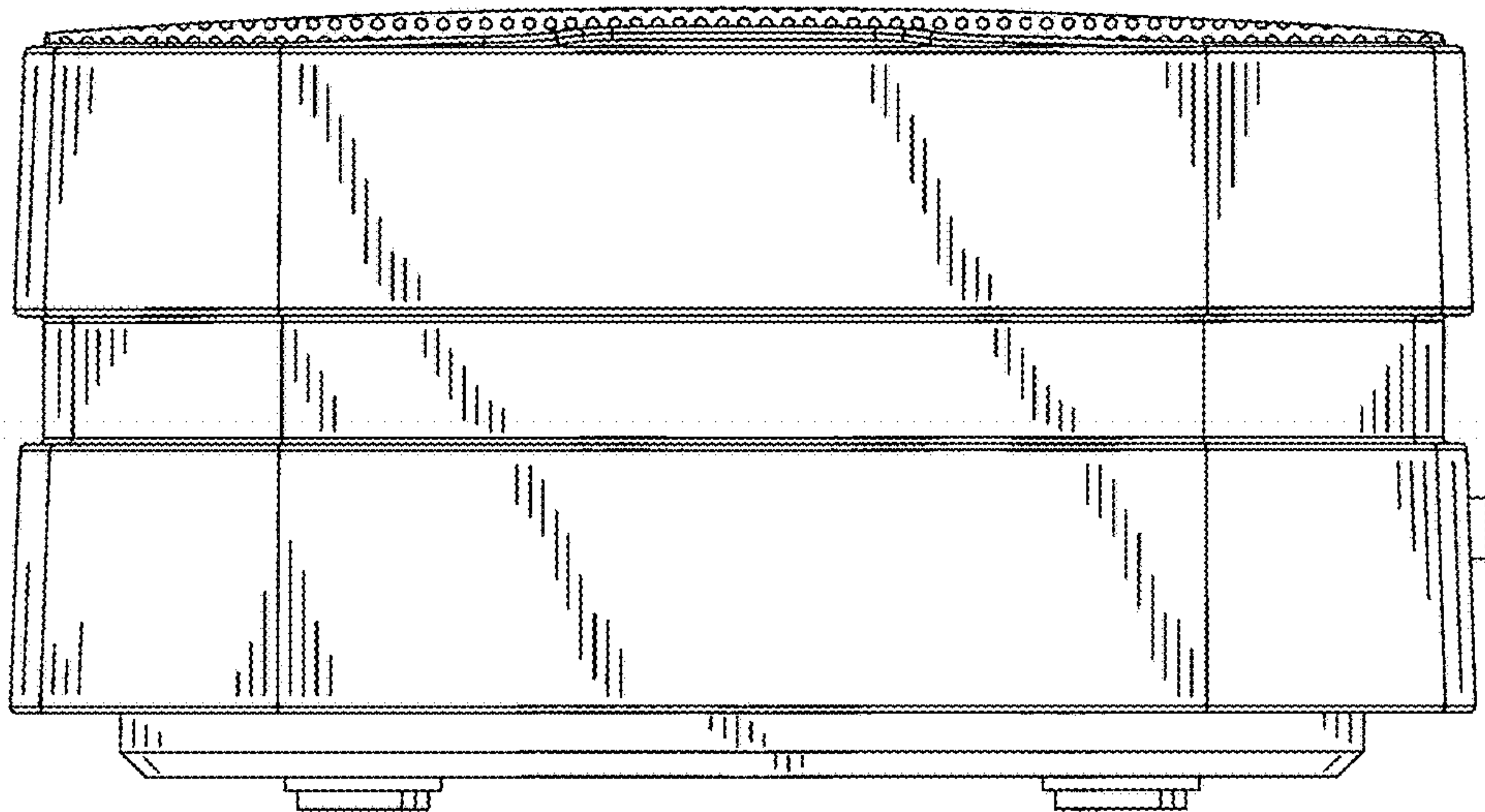


Fig. 5



Fig.6

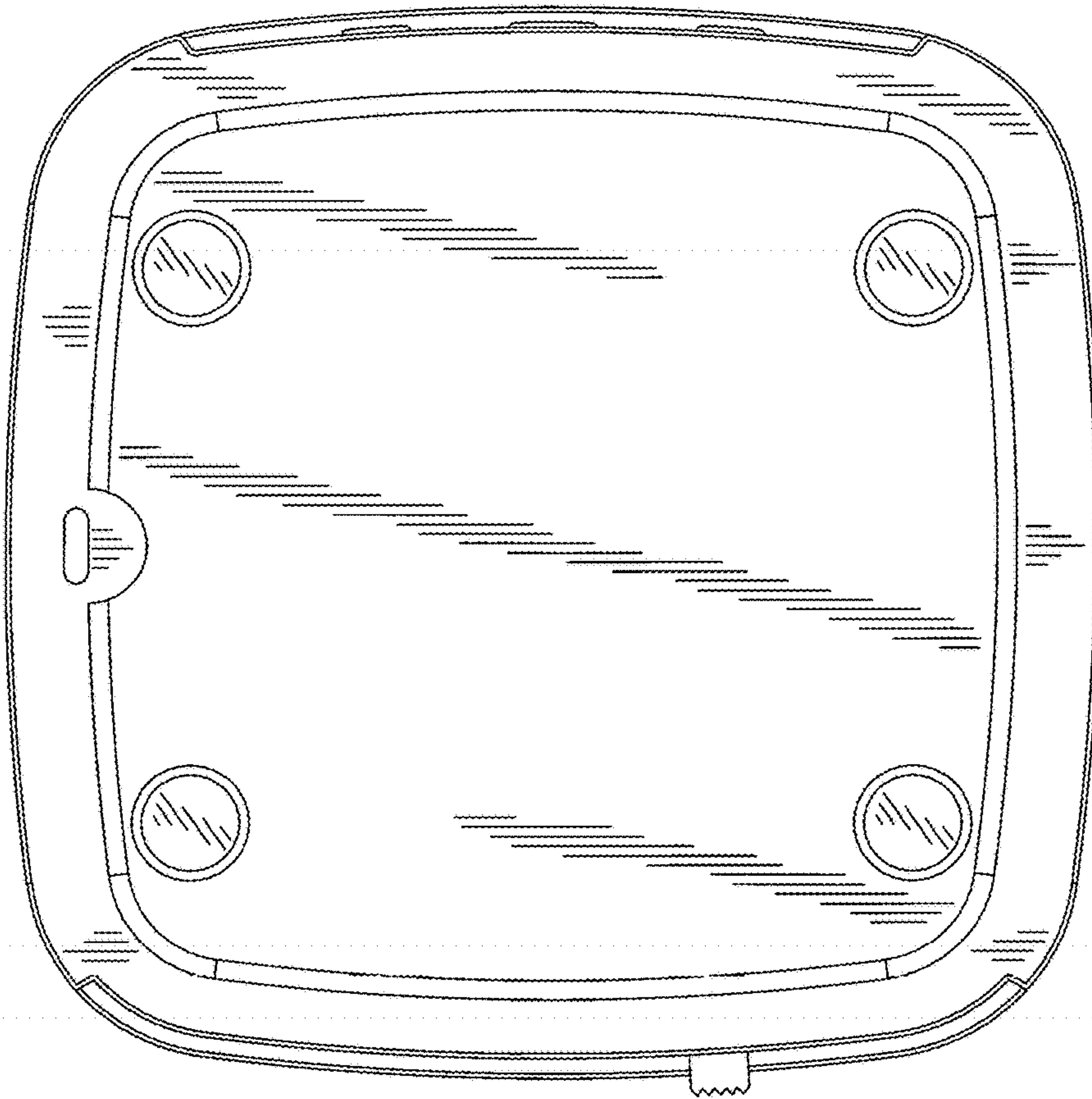


Fig.7