



US00D835066S

(12) **United States Design Patent**
Tan

(10) **Patent No.:** **US D835,066 S**

(45) **Date of Patent:** **** Dec. 4, 2018**

(54) **SUBWOOFER**

(71) Applicant: **Universal Wisdom Tech. (Beijing) Co., Ltd.**, Beijing (CN)

(72) Inventor: **Gates Tan**, Beijing (CN)

(73) Assignee: **Universal Wisdom Tech (Beijing) Co., Ltd.** (CN)

(**) Term: **15 Years**

(21) Appl. No.: **29/590,986**

(22) Filed: **Jan. 15, 2017**

(51) **LOC (11) Cl.** **14-01**

(52) **U.S. Cl.**

USPC **D14/211**

(58) **Field of Classification Search**

USPC D14/168, 188, 194, 195, 196, 204, 210,
D14/211, 212, 213, 214, 215, 216, 197,
D14/198

CPC B60R 11/0217; G06F 1/1688; G10K 9/22;
G10K 11/004; H03F 1/327; H04M 1/03;
H04M 1/035; H04N 5/642; H04N
21/4852; H04S 3/00; H04S 7/30; H04R
1/02; H04R 1/06; H04R 1/021; H04R
1/025; H04R 1/026; H04R 1/028; H04R
1/105; H04R 1/323; H04R 1/403; H04R
1/2803; H04R 1/2834; H04R 5/02; H04R
7/20; H04R 9/06; H04R 9/025; H04R
2201/021; H04R 2400/00; H04R 2400/07;
H04R 2499/11; H04R 2499/13; H04R
2499/15

See application file for complete search history.

(56) **References Cited**

U.S. PATENT DOCUMENTS

687,968 A * 12/1901 Reber B65D 5/2009
206/8
D44,937 S * 11/1913 Robbins D11/90

D68,215 S * 9/1925 McLean 229/116.1
2,839,841 A * 6/1958 Berry A63H 33/04
273/157 R
D214,132 S * 5/1969 Niemoller D21/373
3,463,308 A * 8/1969 Deneke B65D 73/0057
206/380
D225,865 S * 1/1973 Sjostedt 52/DIG. 10
D227,478 S * 6/1973 Ekdahl D14/212
D238,880 S * 2/1976 Elwell D14/212
4,231,446 A * 11/1980 Weiss H04B 1/28
181/148
D259,932 S * 7/1981 Hawkins D14/212
D283,797 S * 5/1986 Montealegre D9/430
D294,569 S * 3/1988 Geraets D14/188
D297,233 S * 8/1988 Livigni D14/215
D368,430 S * 4/1996 Herzog D9/651
D372,243 S * 7/1996 Thorley D14/204
D471,888 S * 3/2003 Solland D14/204
D477,219 S * 7/2003 Waterhouse D9/430
D477,227 S * 7/2003 Goswell D9/529

(Continued)

Primary Examiner — Ian Simmons

Assistant Examiner — Karra S Johnson

(57)

CLAIM

The ornamental design for a subwoofer, as shown and described.

DESCRIPTION

FIG. 1 is a front view of the subwoofer showing our new design;

FIG. 2 is a back view thereof;

FIG. 3 is a left side view thereof;

FIG. 4 is a right side view thereof;

FIG. 5 is a top view thereof;

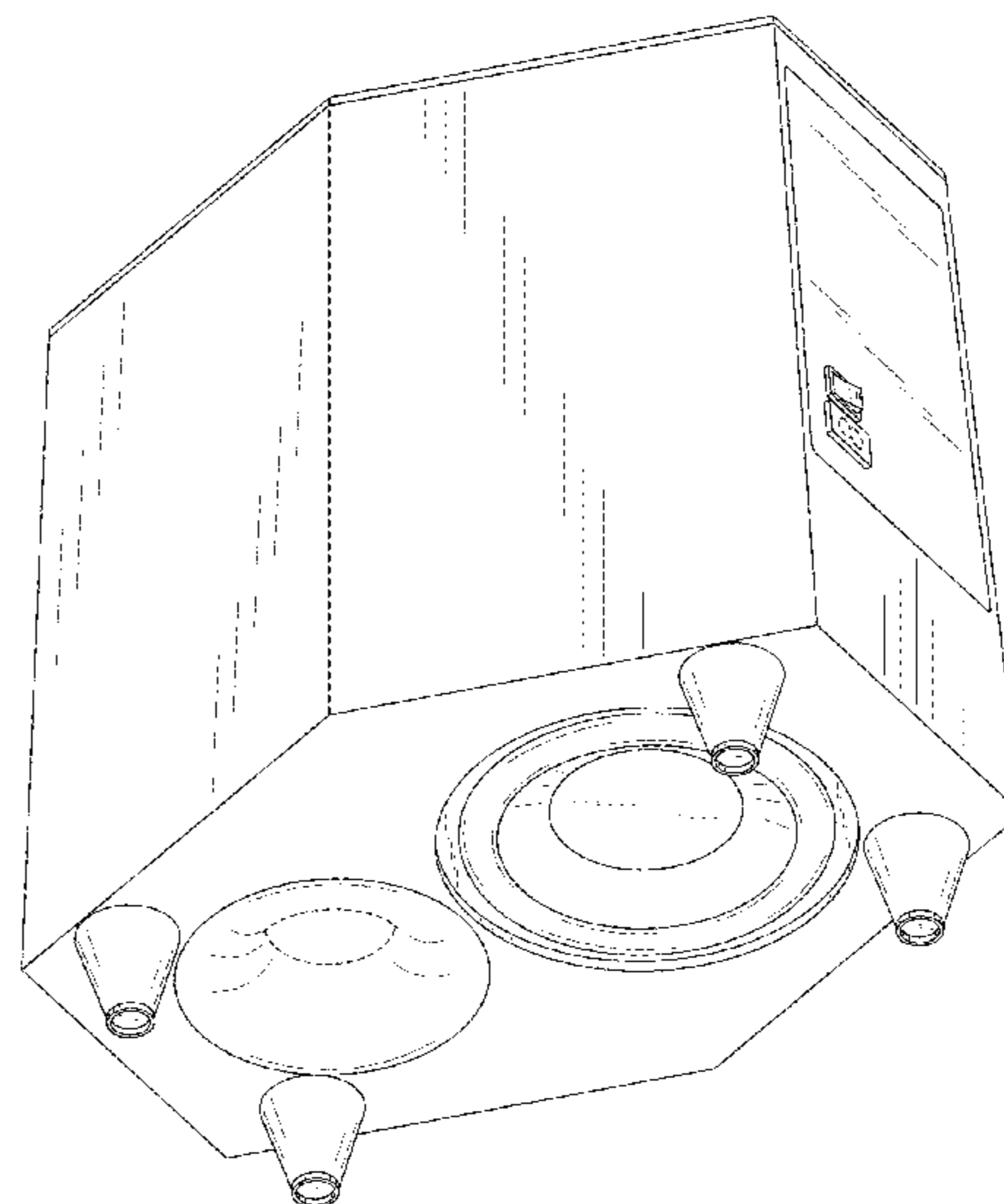
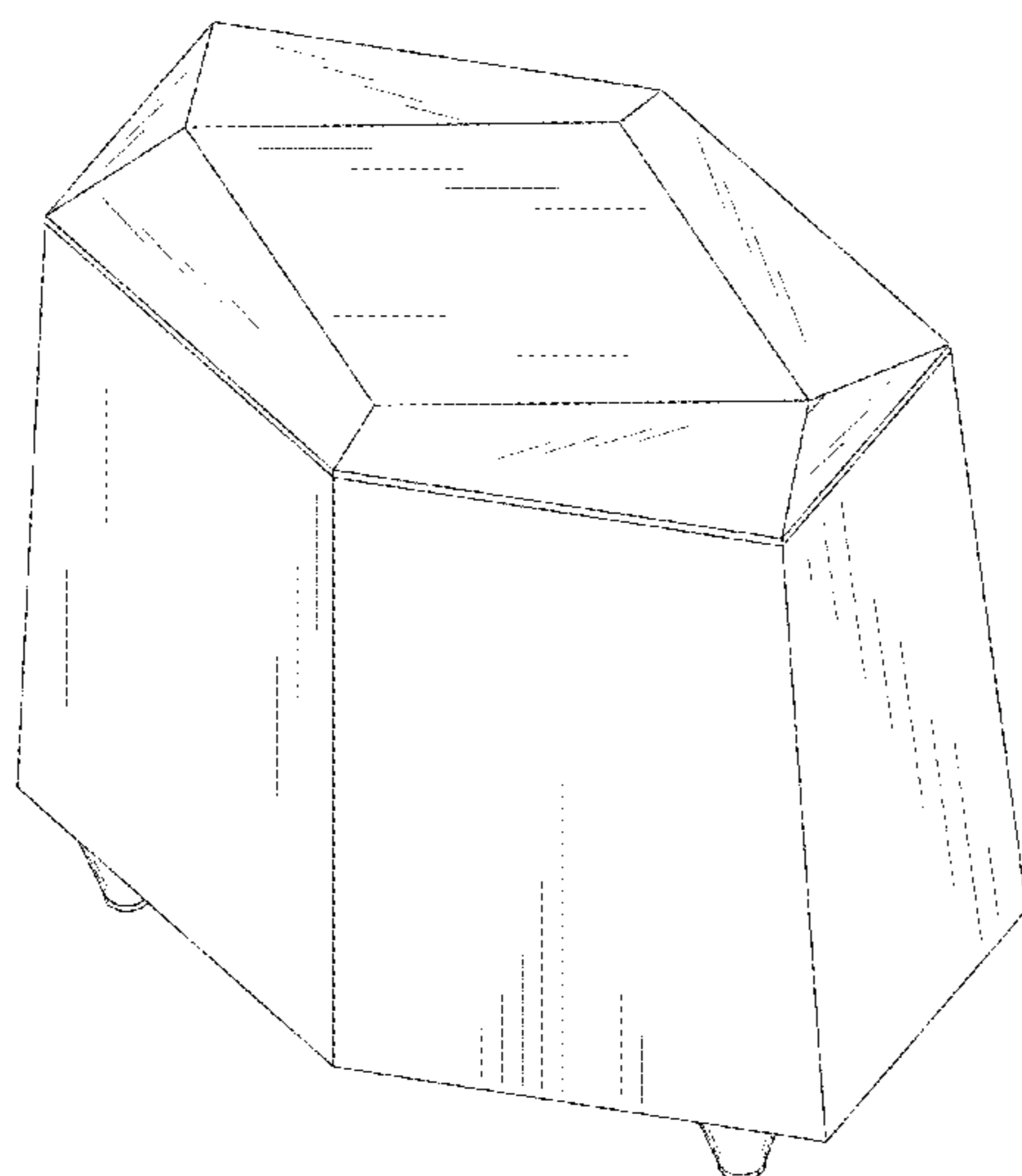
FIG. 6 is a bottom view thereof;

FIG. 7 is a top perspective view thereof; and,

FIG. 8 is a bottom perspective view thereof.

The broken lines shown are included for the purpose of illustrating portions of the subwoofer that form no part of the claim.

1 Claim, 7 Drawing Sheets



(56)

References Cited

U.S. PATENT DOCUMENTS

D491,918 S * 6/2004 Solland D14/207
D505,517 S * 5/2005 Baresi D28/76
D521,979 S * 5/2006 Ishibashi D14/211
D529,813 S * 10/2006 Modjeski D9/546
D533,454 S * 12/2006 Canamasas Puigbo D9/454
D551,974 S * 10/2007 Canamasas Puigbo D9/451
D565,410 S * 4/2008 Canamasas Puigbo D9/451
D568,289 S * 5/2008 Solland D14/204
D592,050 S * 5/2009 Casebasse D9/431
D592,502 S * 5/2009 Casebasse D9/431
D617,310 S * 6/2010 Tatara D14/209
D626,938 S * 11/2010 Moore D14/214
D689,040 S * 9/2013 Calhoun D14/210
D697,894 S * 1/2014 Krisztal D14/204
D728,363 S * 5/2015 Dubos D9/425
D733,563 S * 7/2015 Oberlender D9/519
D734,894 S * 7/2015 Schlatter D28/76
D743,970 S * 11/2015 Ceyress D14/480.2
D744,454 S * 12/2015 Ou Yang D14/207
D747,992 S * 1/2016 Kalinowski D10/114.2
D749,057 S * 2/2016 Woo D14/214
D774,833 S * 12/2016 Likar D7/558
D778,503 S * 2/2017 Teller D28/85
D779,737 S * 2/2017 Salmon D28/85
D780,590 S * 3/2017 Komai D9/435
D789,747 S * 6/2017 Hume D7/509
D790,460 S * 6/2017 Hibmacronan D13/110
D800,697 S * 10/2017 Fischer D14/214
D801,410 S * 10/2017 Kim D16/219
D806,395 S * 1/2018 Jacob D3/321
D813,230 S * 3/2018 Koo D14/358
D815,909 S * 4/2018 Paulin D7/515

* cited by examiner

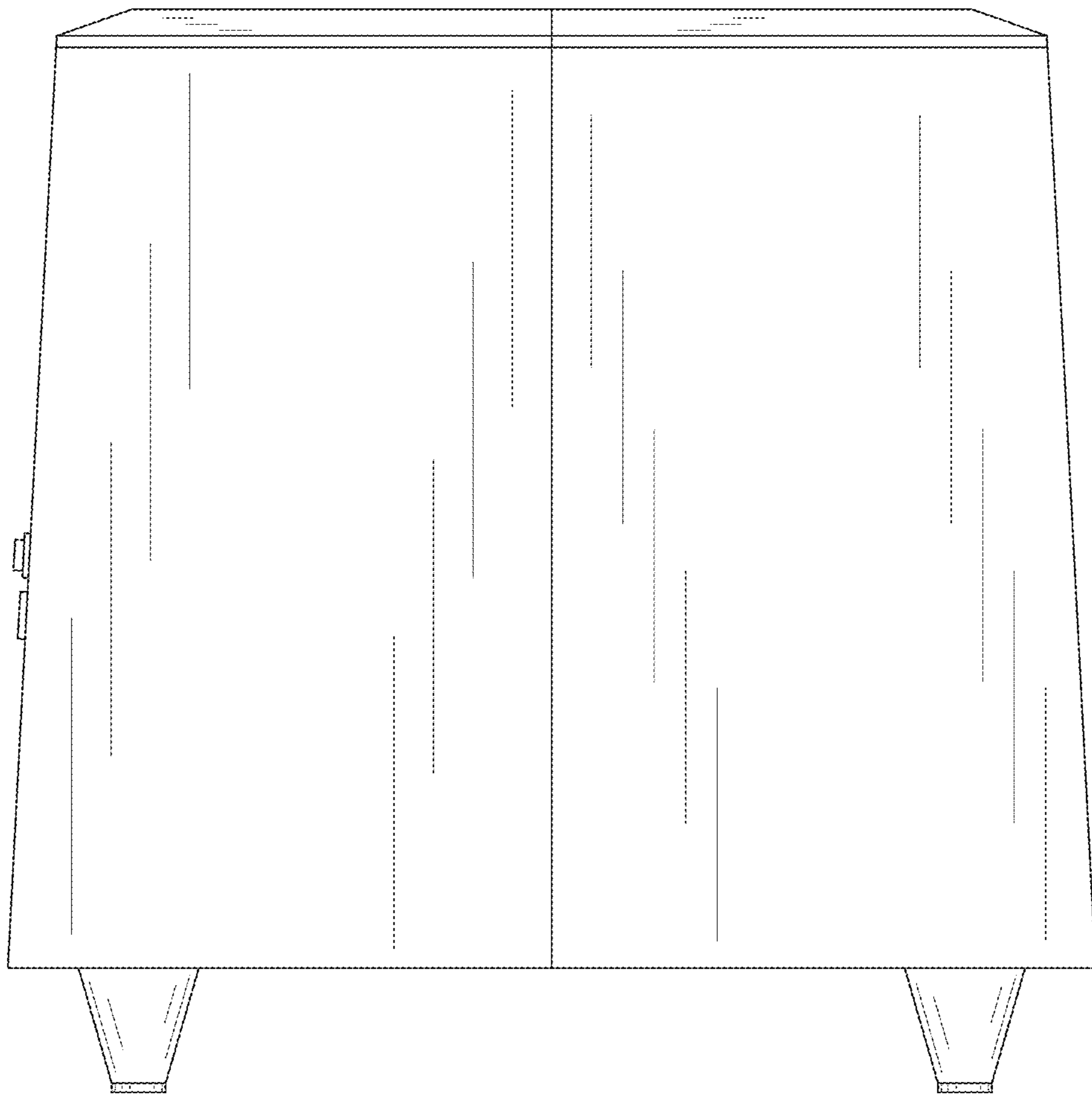


FIG. 1

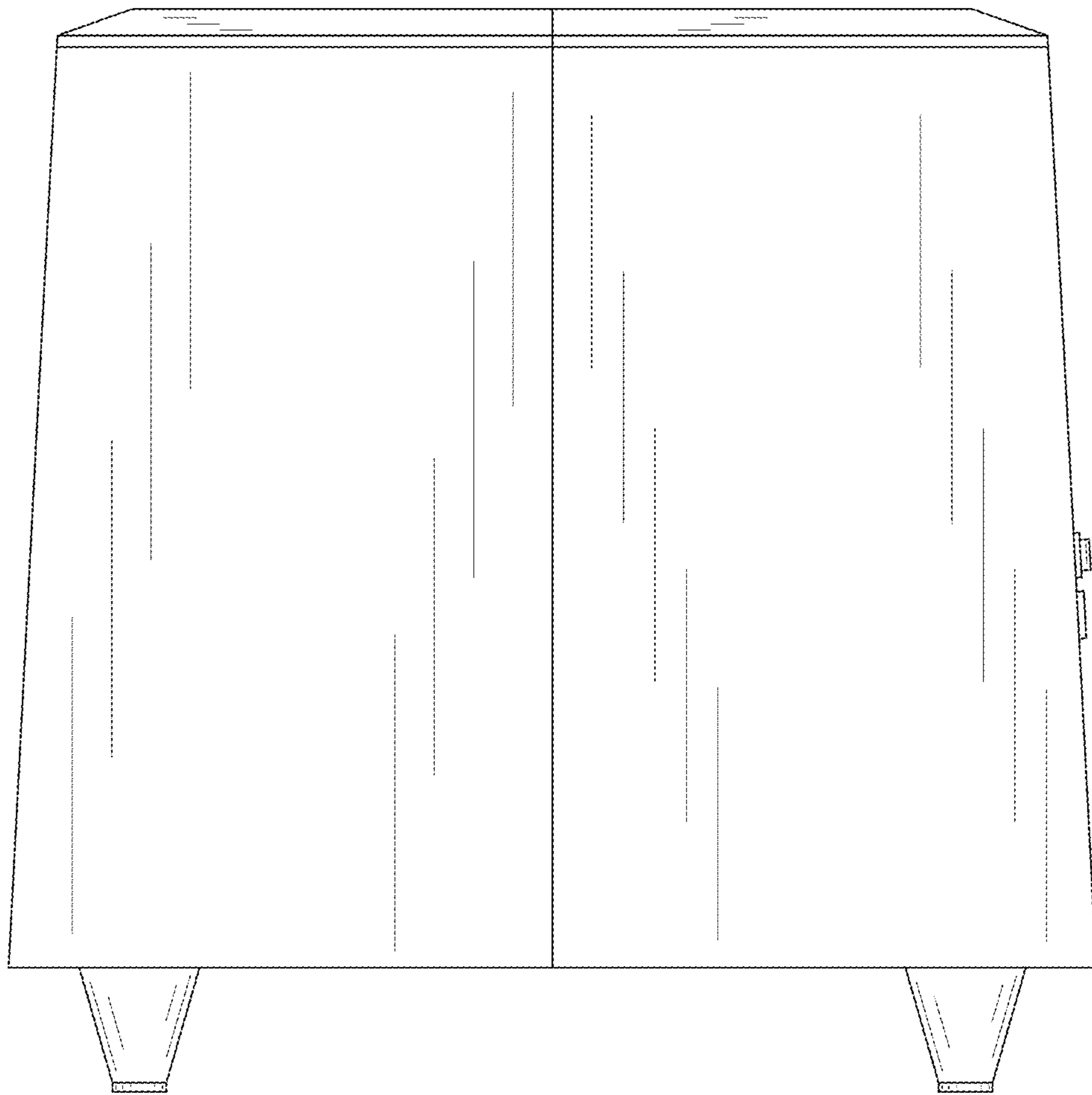


FIG.2

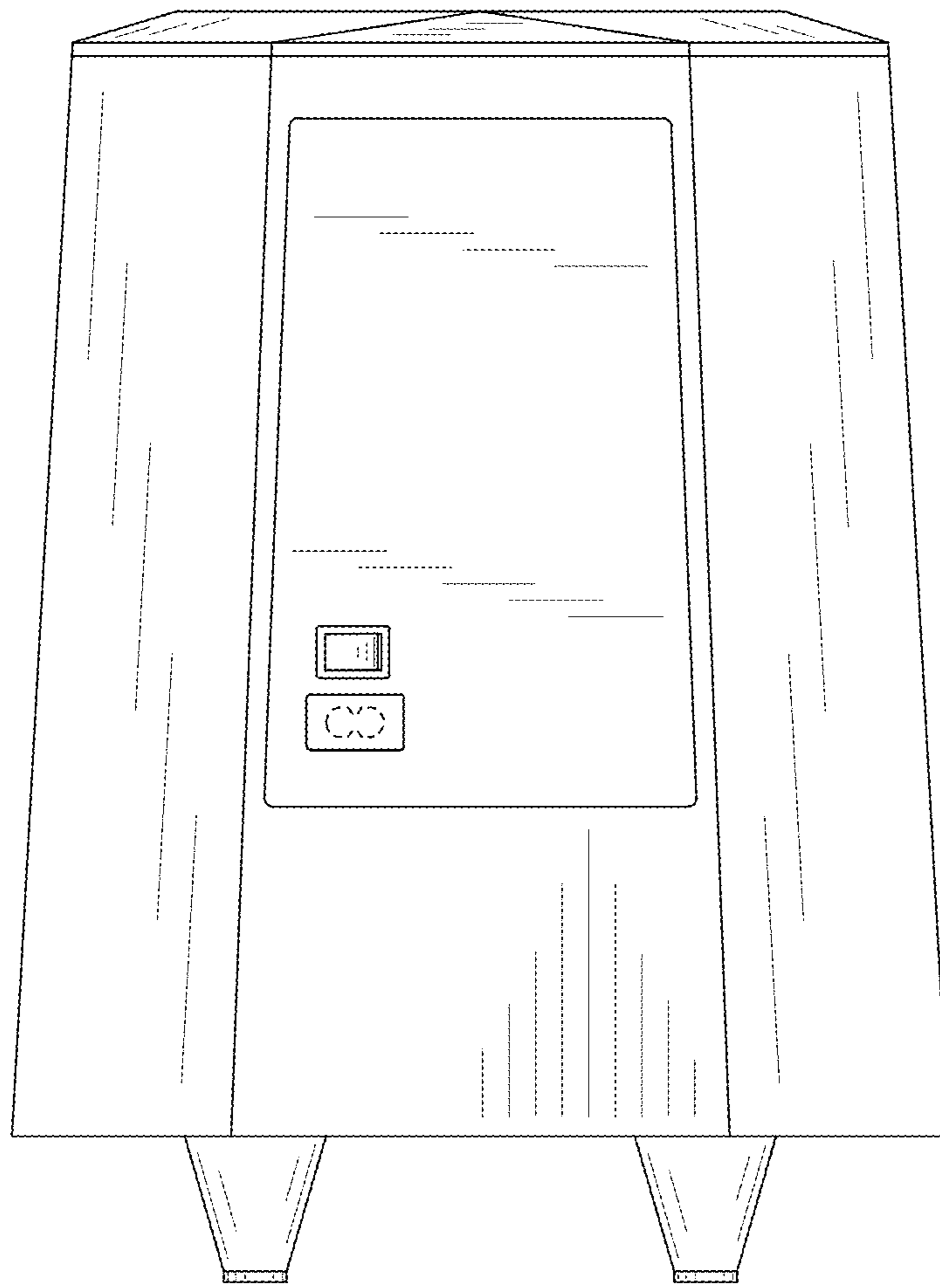


FIG.3

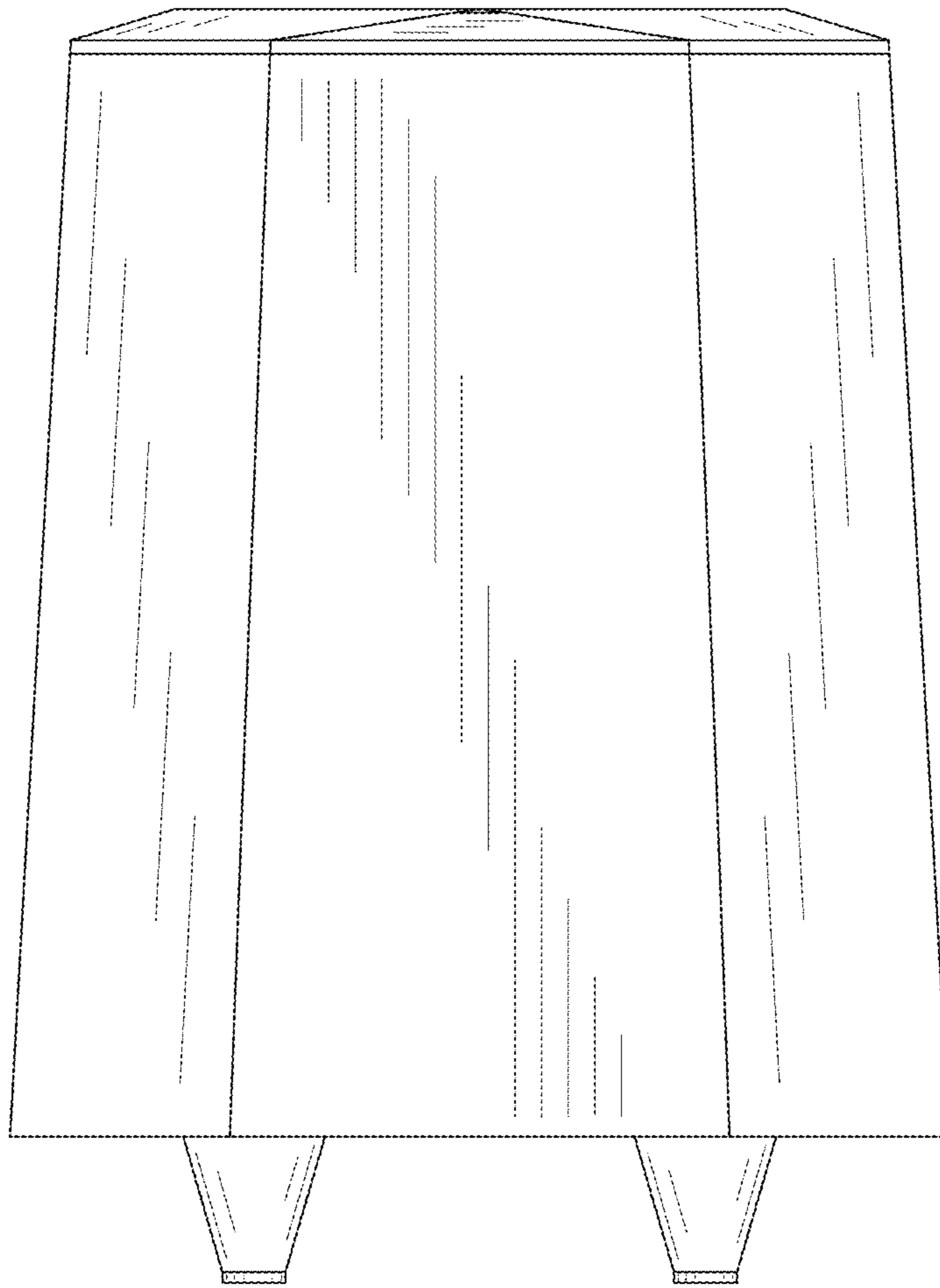


FIG.4

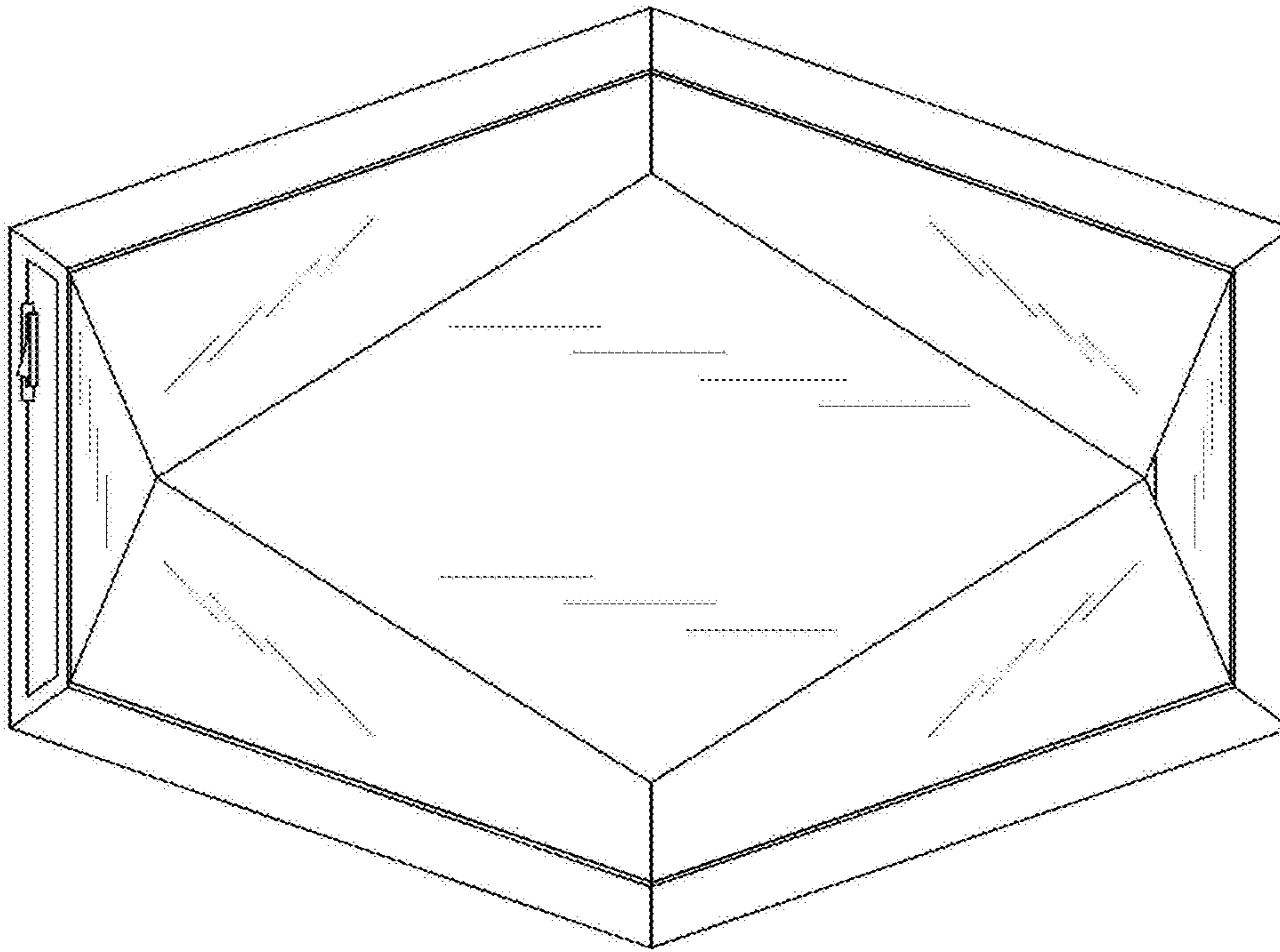


FIG. 5

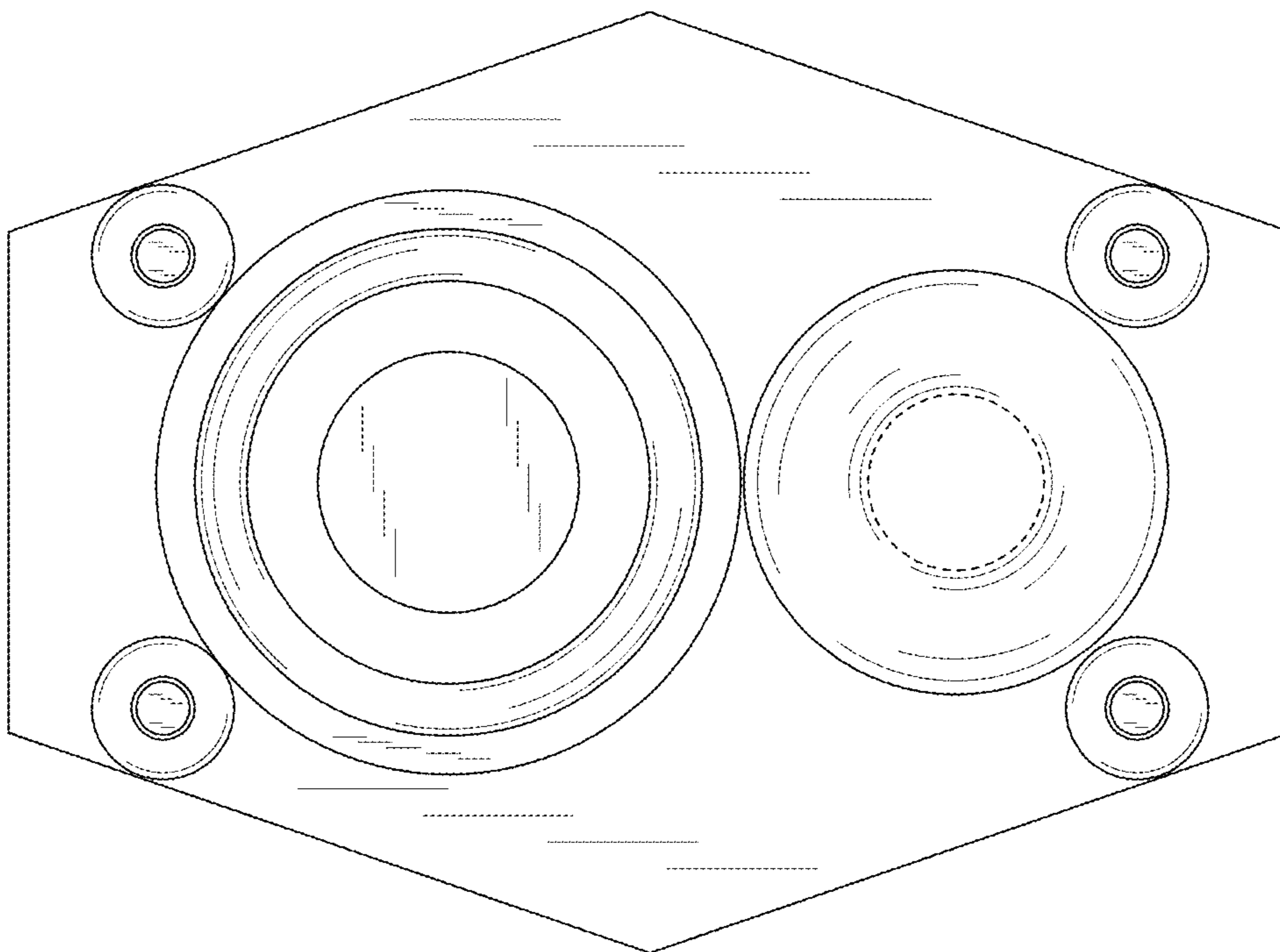


FIG. 6

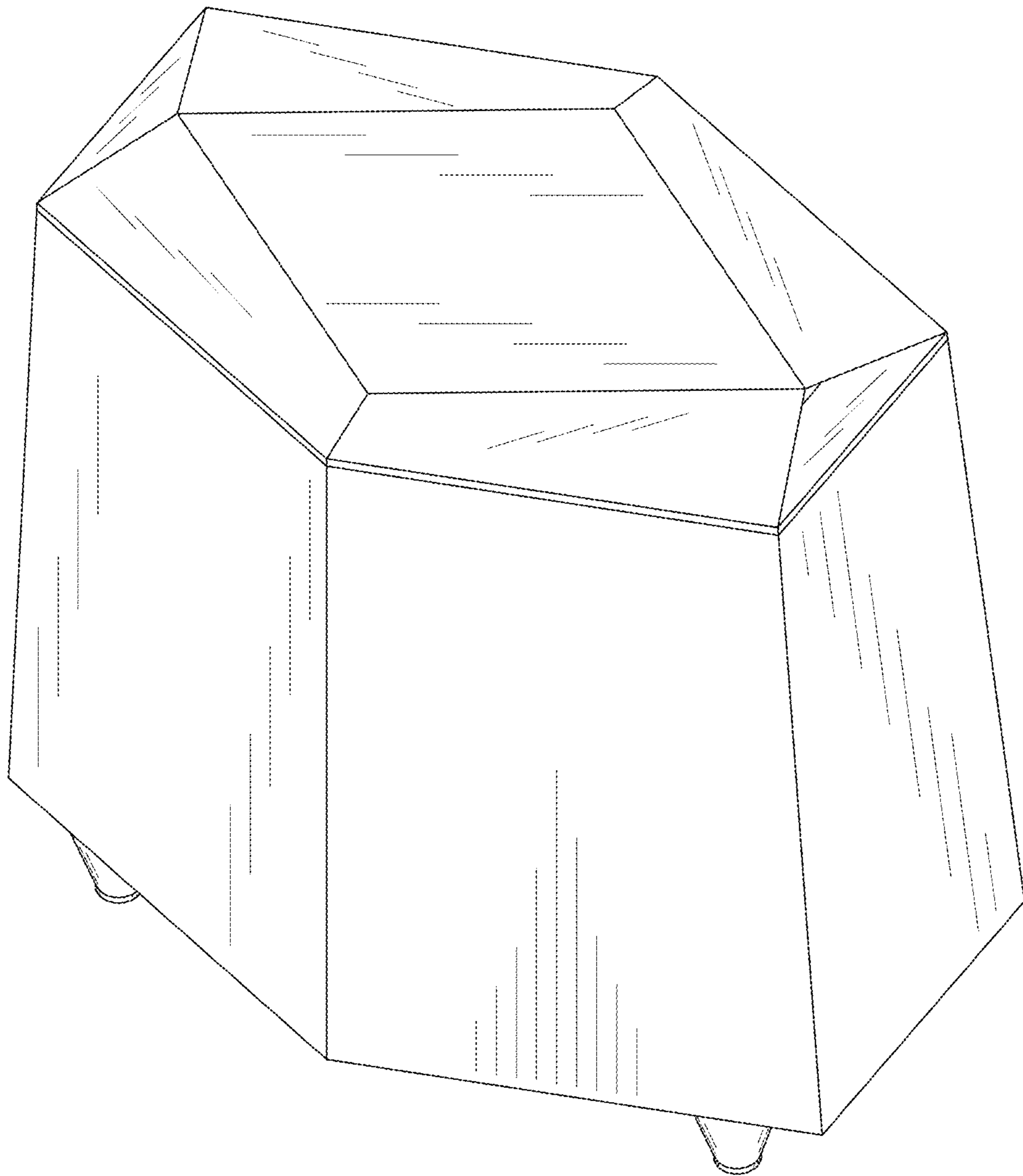


FIG.7

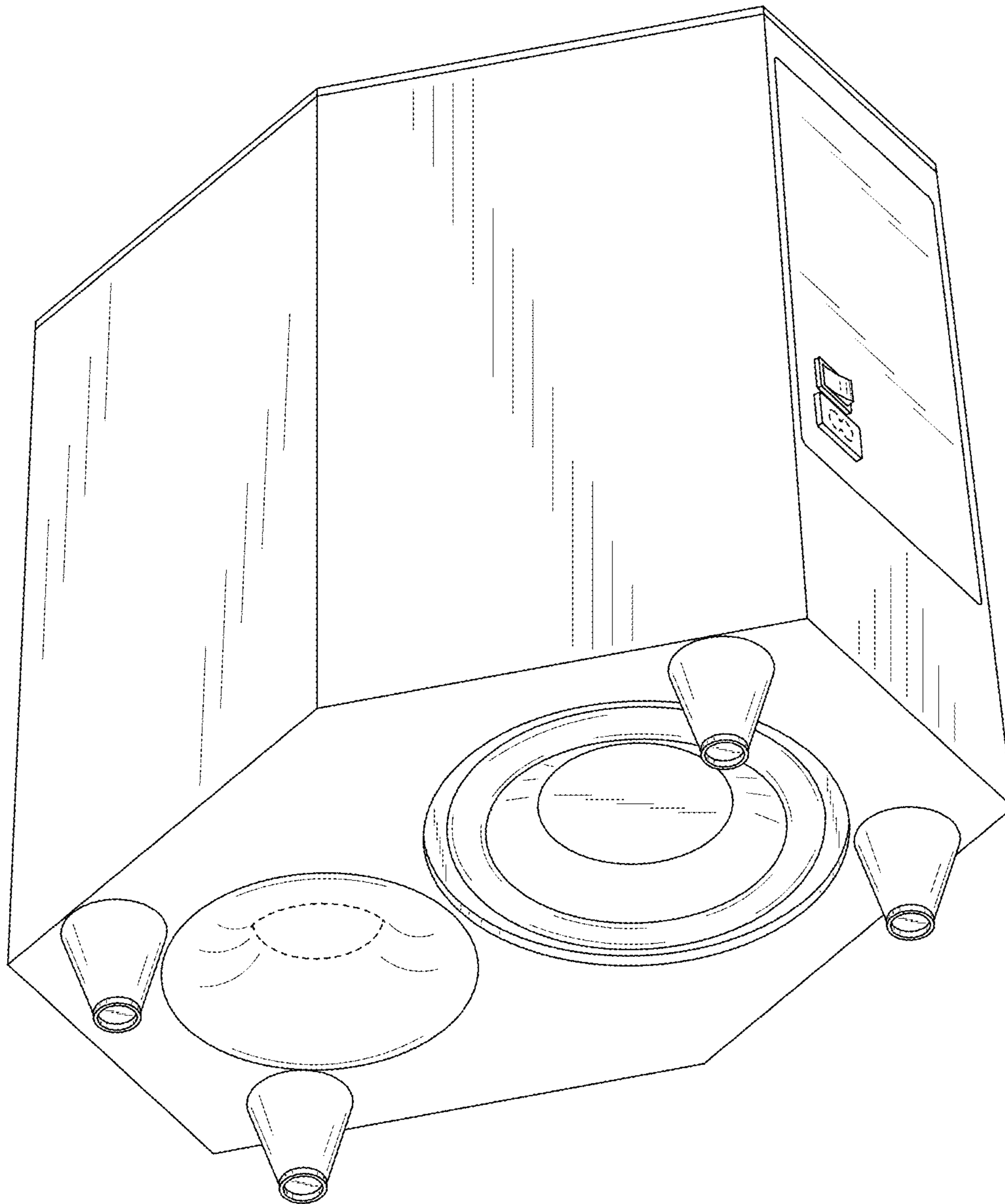


FIG.8