



US00D835063S

(12) **United States Design Patent** (10) **Patent No.:** **US D835,063 S**
Wu (45) **Date of Patent:** **** Dec. 4, 2018**

(54) **BLUETOOTH LOUDSPEAKER** 6,431,308 B1 * 8/2002 Vollmer H04R 1/26
181/144
(71) Applicant: **Weiquan Wu**, Guangdong (CN) D551,656 S * 9/2007 Ritscher D14/216
D697,496 S * 1/2014 Ashcraft D14/216
(72) Inventor: **Weiquan Wu**, Guangdong (CN) D706,743 S * 6/2014 Lukic D14/204
2004/0094357 A1 * 5/2004 Sato H04R 31/003
181/157
(**) Term: **15 Years**

(21) Appl. No.: **29/618,925**

(22) Filed: **Sep. 26, 2017**

(30) **Foreign Application Priority Data**

Apr. 18, 2017 (CN) 2017 3 0129979

(51) **LOC (11) Cl.** **14-01**

(52) **U.S. Cl.**
USPC **D14/204**

(58) **Field of Classification Search**
USPC D14/167, 168, 170-172, 188, 204, 210,
D14/214; 181/143, 144, 148, 153, 157,
181/198, 199; 369/6-12; 381/300-303,
381/361-364, 366, 386-388
CPC H04R 1/02; H04R 1/021; H04R 1/025;
H04R 1/026; H04R 1/028; H04R 1/403;
H04R 1/2803; H04R 1/2834; H04R 5/02;
H04R 9/06; H04R 19/013; H04R
2400/00; G06F 1/1688
See application file for complete search history.

(56) **References Cited**

U.S. PATENT DOCUMENTS

D364,165 S * 11/1995 Esslinger D14/213
6,345,685 B1 * 2/2002 Wells H04R 1/028
181/153

* cited by examiner

Primary Examiner — Derrick E Holland
Assistant Examiner — Janice Patyk

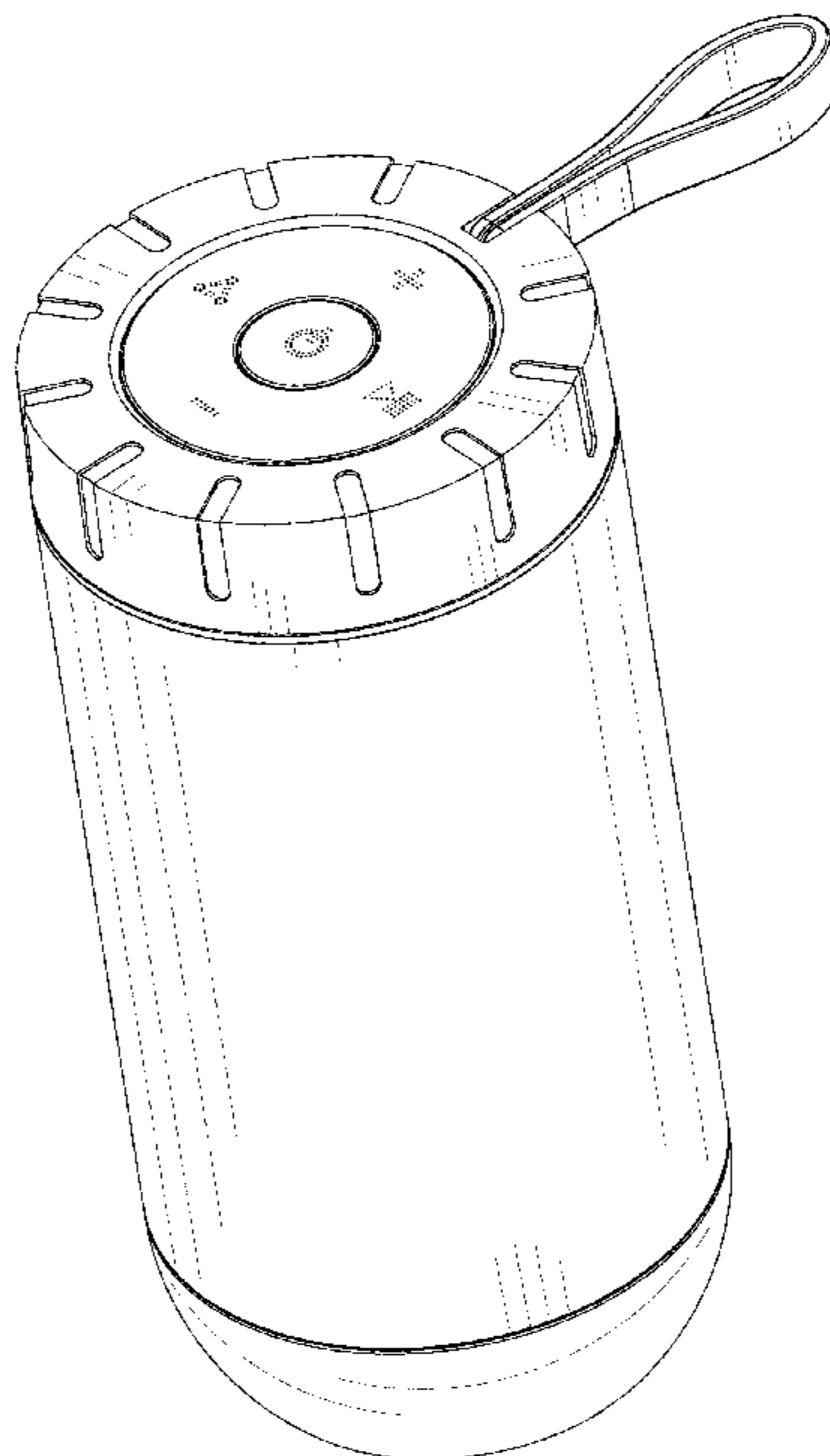
(57) **CLAIM**

The ornamental design for a bluetooth loudspeaker, as shown and described.

DESCRIPTION

FIG. 1 is a front elevational view of a bluetooth loudspeaker showing my new design;
FIG. 2 is a rear elevational view thereof;
FIG. 3 is a left side view thereof;
FIG. 4 is a right side view thereof;
FIG. 5 is a top plan view thereof;
FIG. 6 is a bottom plan view thereof;
FIG. 7 is a first perspective view thereof; and,
FIG. 8 is a second perspective view thereof.
The broken lines in the drawings illustrate portions of the bluetooth loudspeaker which form no part of the claimed design.

1 Claim, 8 Drawing Sheets



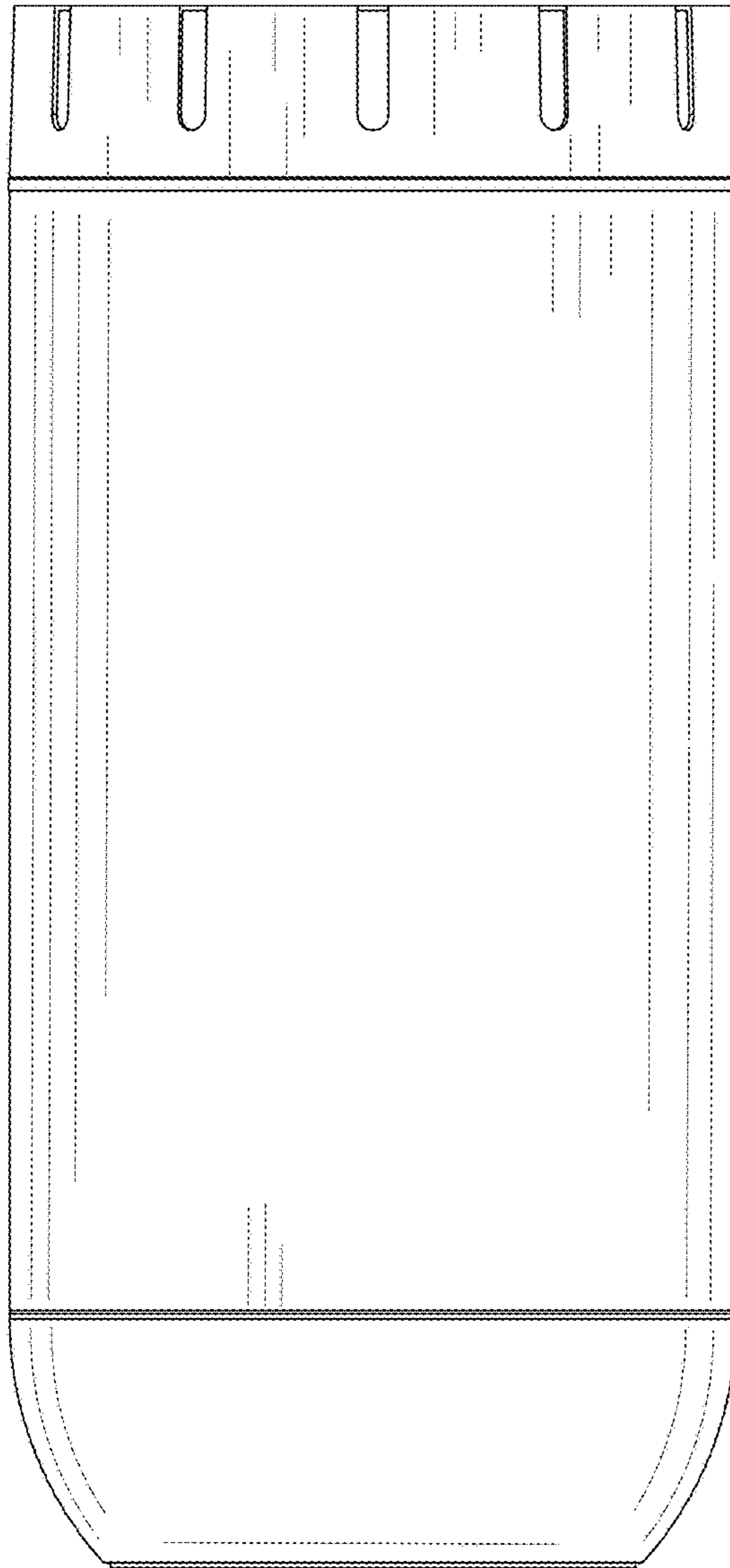


Fig. 1

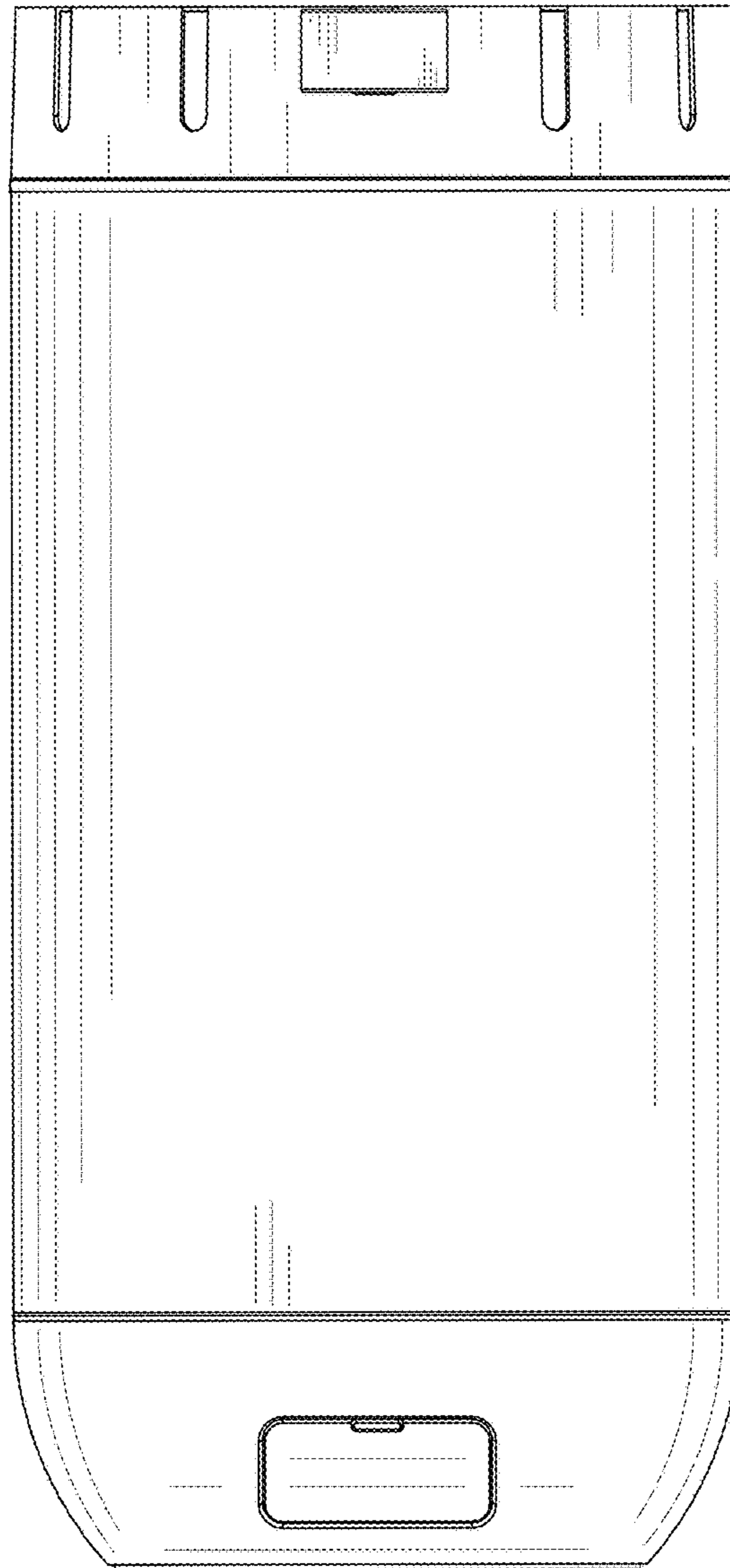


Fig. 2

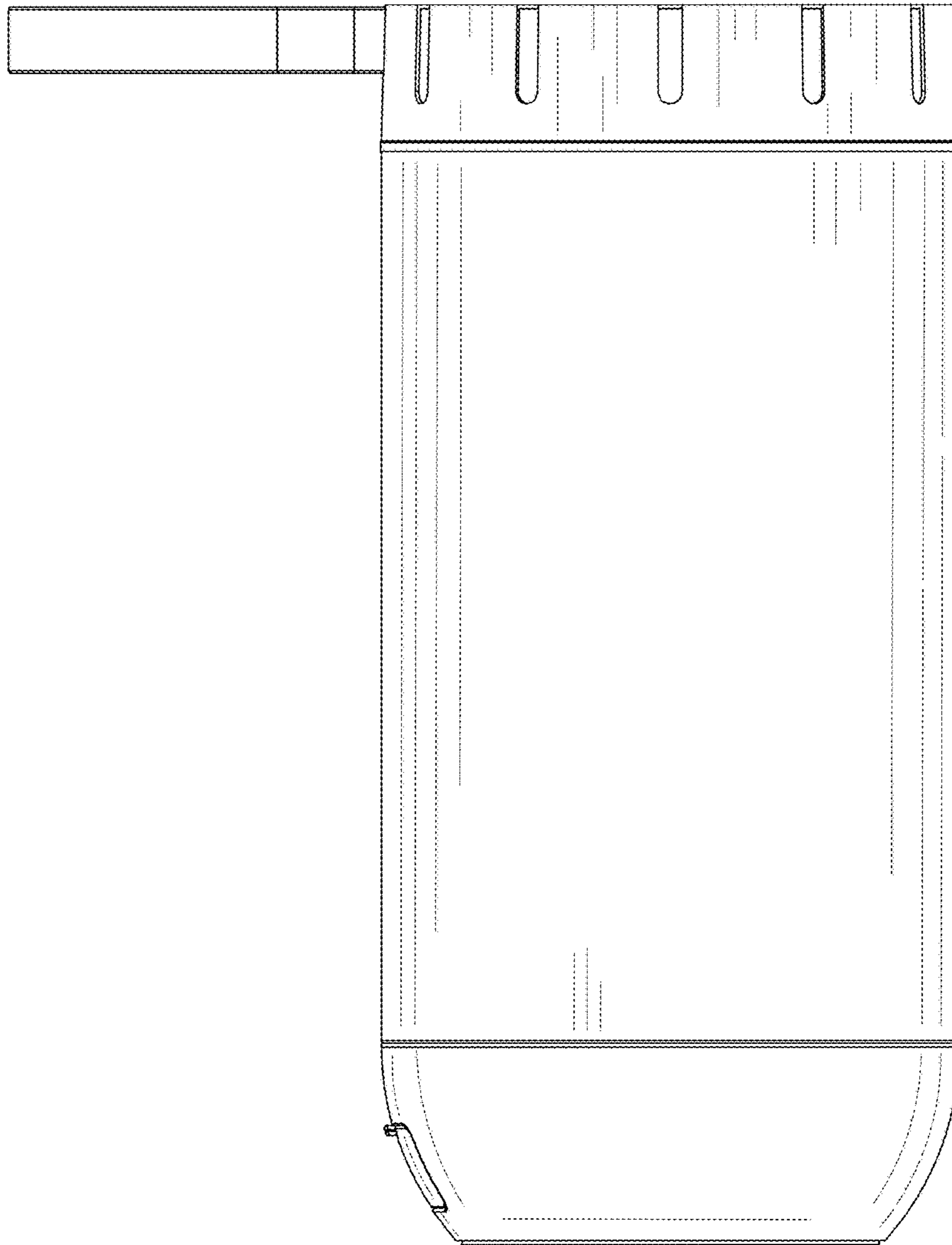


Fig. 3

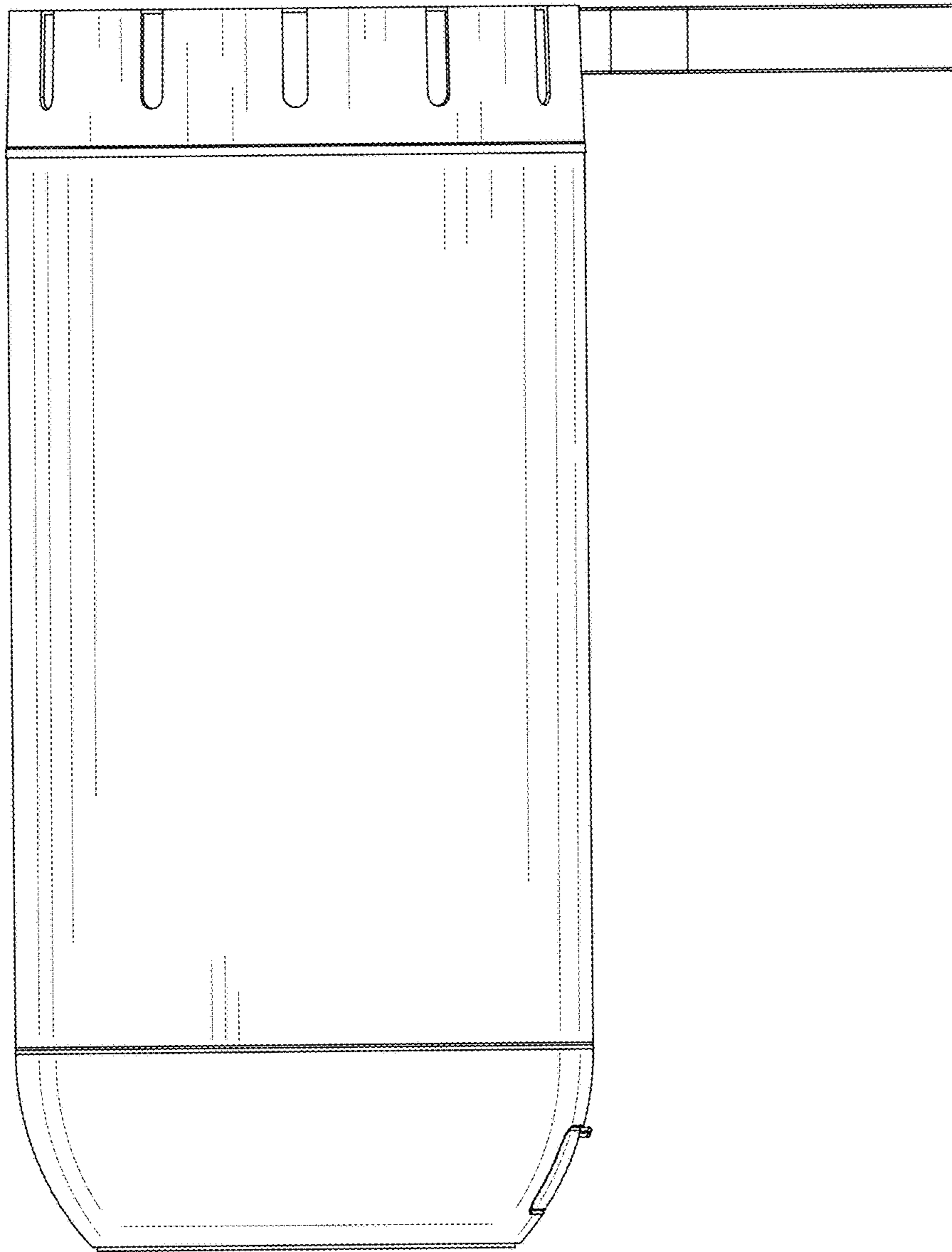


Fig. 4

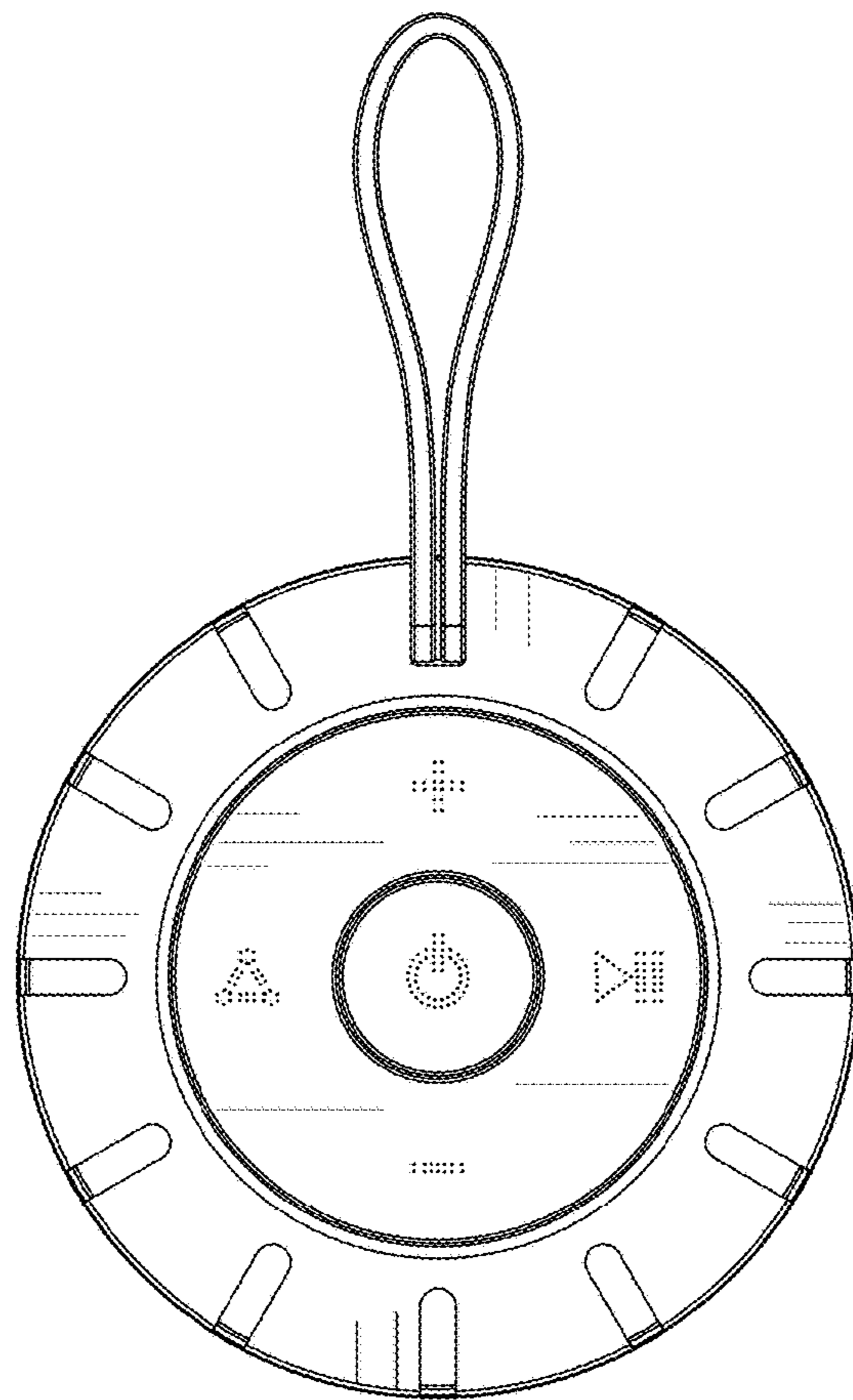


Fig. 5

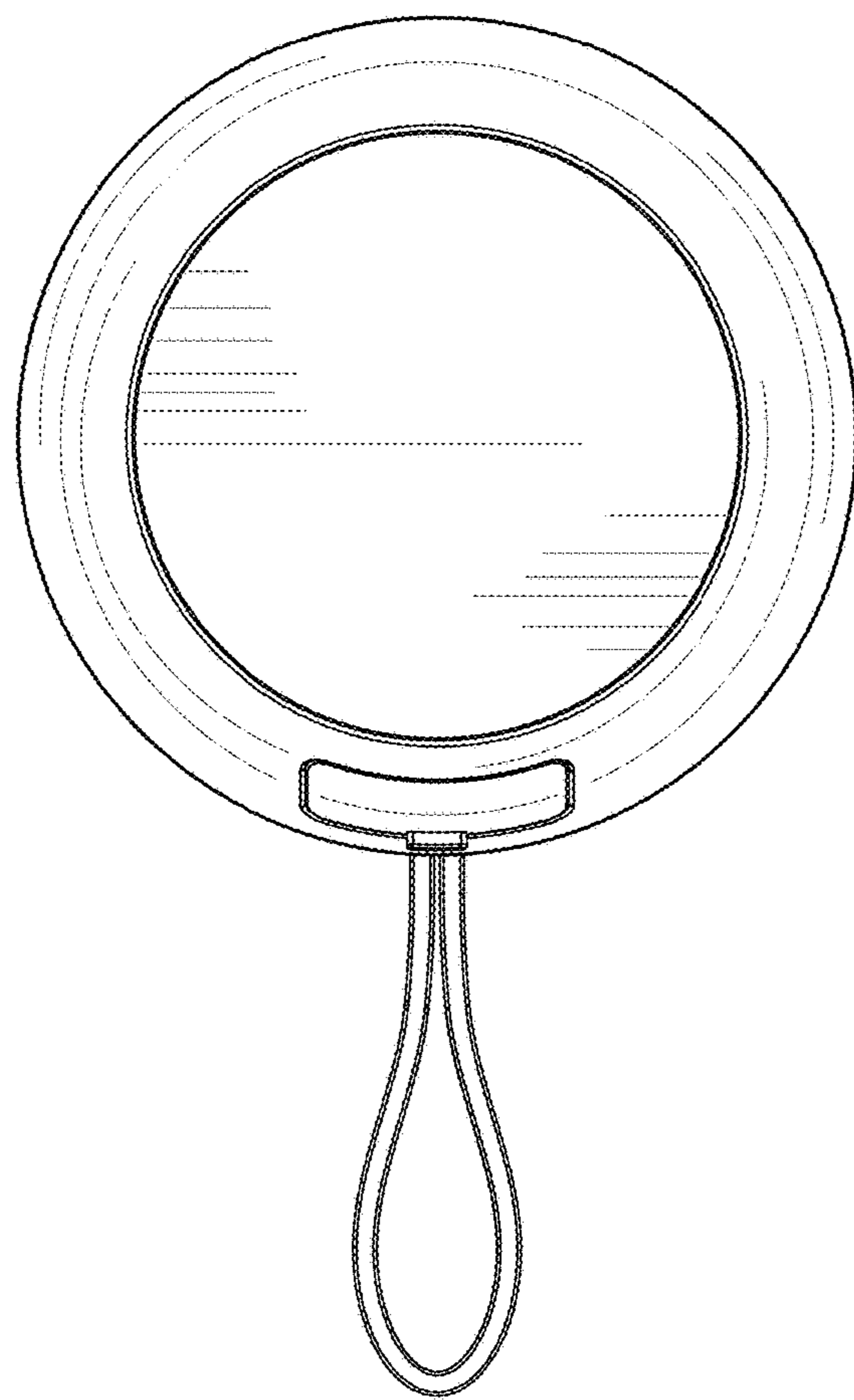


Fig. 6

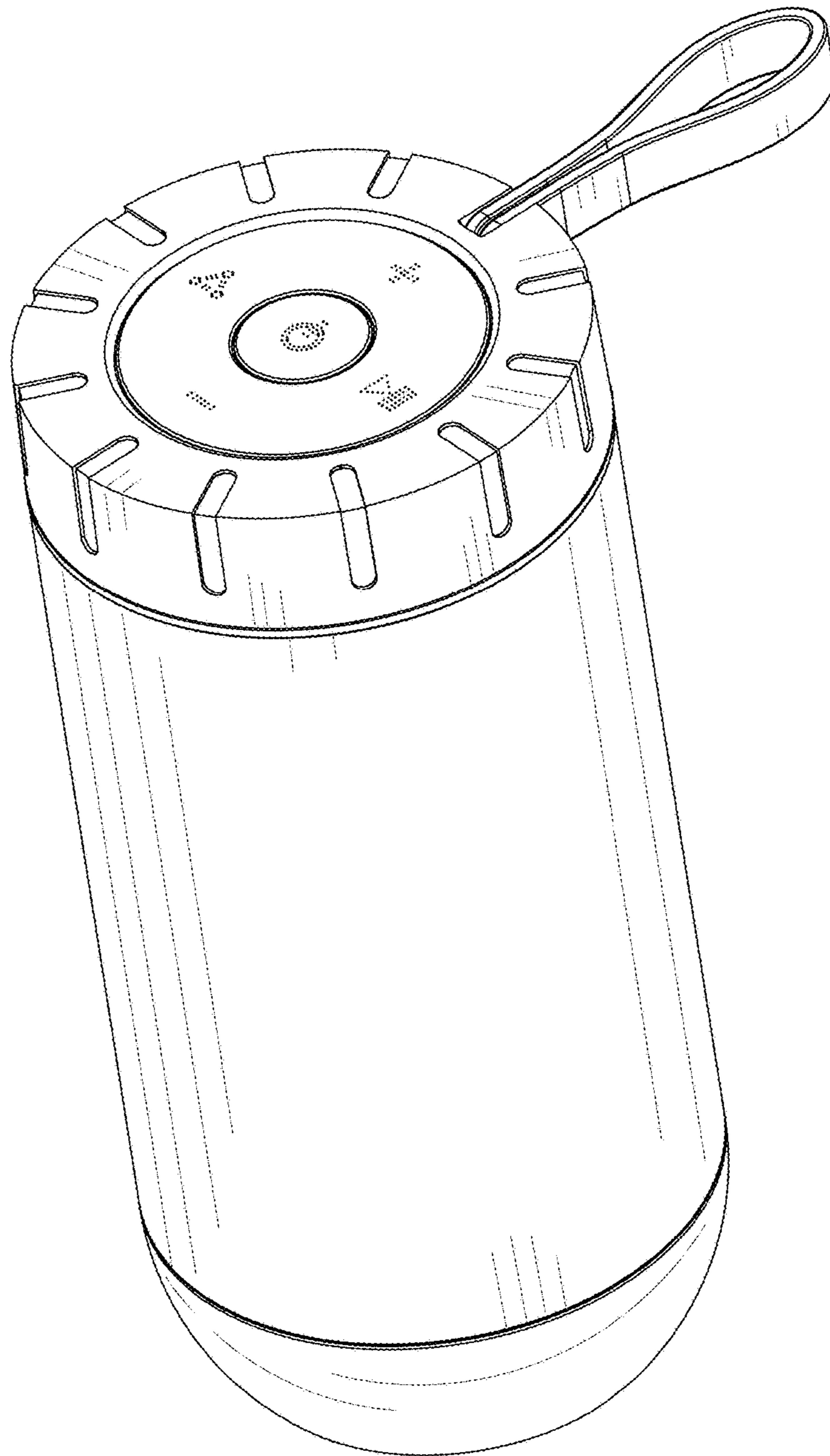


Fig. 7

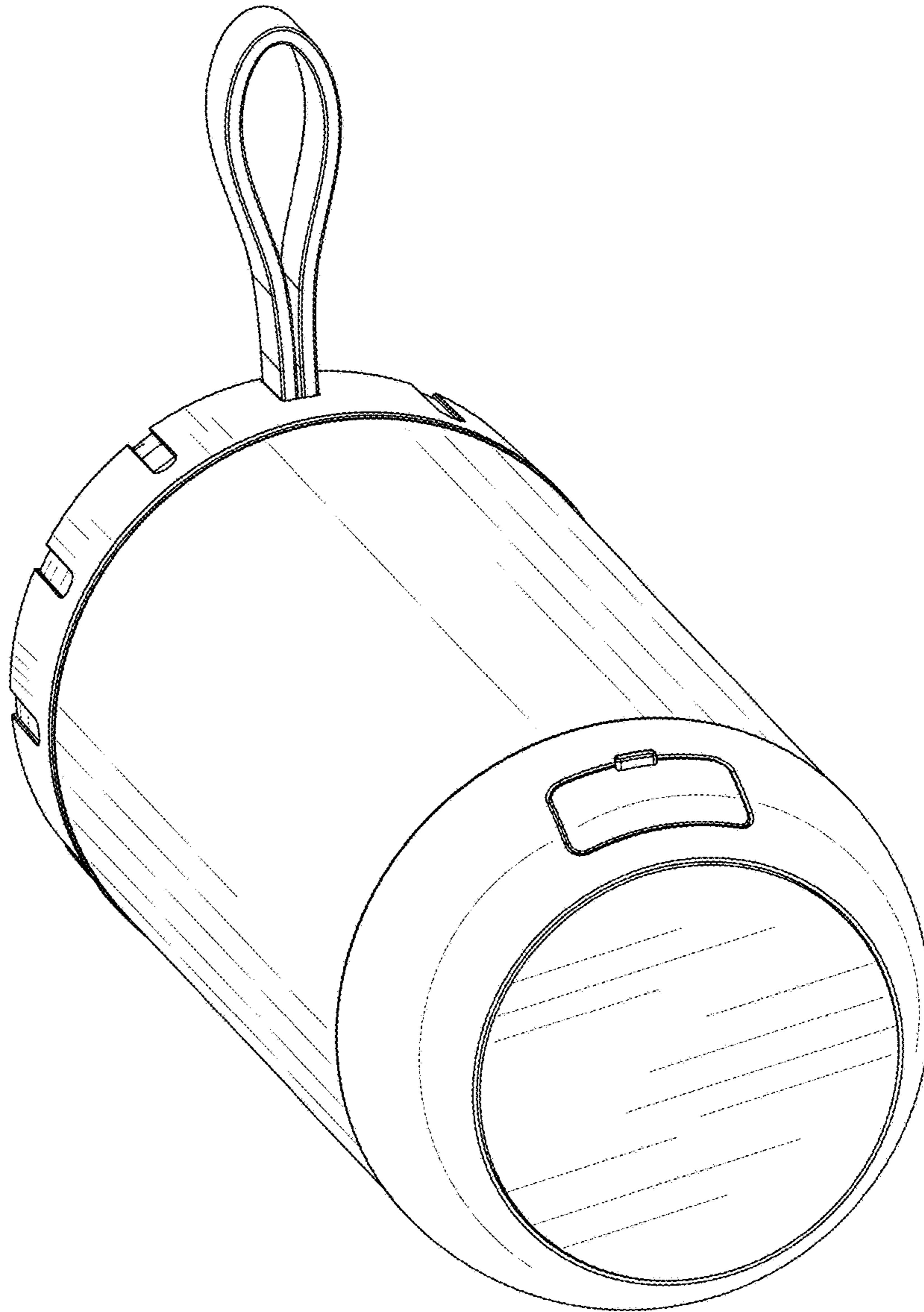


Fig. 8