



US00D835061S

(12) **United States Design Patent** (10) **Patent No.:** **US D835,061 S**
Baldree et al. (45) **Date of Patent:** **** Dec. 4, 2018**

- (54) **MOBILE PHONE ACCESSORY**
- (71) Applicant: **BALDREE CAPITAL ADVISORS, LLC**, Greer, SC (US)
- (72) Inventors: **Todd W. Baldree**, Greer, SC (US);
Ronald Johnson, San Jose, CA (US);
Steven S. Escobar, San Jose, CA (US)
- (73) Assignee: **Katana Safety, Inc.**, Greenville, SC (US)
- (**) Term: **15 Years**
- (21) Appl. No.: **29/577,429**
- (22) Filed: **Sep. 13, 2016**
- (51) **LOC (11) Cl.** **14-01**
- (52) **U.S. Cl.**
USPC **D14/172; D14/250**
- (58) **Field of Classification Search**
USPC D14/143, 189, 203.2–203.7, 217, 238.1,
D14/240, 248, 250–253, 440, 447, 496,
D14/172–187; D3/201, 218, 247–251,
D3/269, 273, 301, 303; D13/103,
D13/107–108, 119
CPC A45C 1/06; A45C 11/00; A45C 13/02;
A45C 2011/002; A45F 2005/026; A45F
2200/0525; A45F 2200/0516; H04B
1/3888; H04M 1/0283; H04M 1/0202
See application file for complete search history.

- (56) **References Cited**
U.S. PATENT DOCUMENTS

2014/0118144 A1 5/2014 Amis

OTHER PUBLICATIONS

With a new smartphone device, Aluma Connect hopes to prevent sexual assaults, posted at upstatebusinessjournal.com, posted on

Apr. 12, 2017, acquired on Nov. 16, 2017. Available from Internet, <URL: <https://upstatebusinessjournal.com/new-smartphone-device-aluma-connect-hopes-prevent-sexual-assaults/>> (Year: 2017).* Robocopp USA. (2016). The original sound grenade by Robocopp—smart personal alarm—explore with confidence. Retrieved from <https://www.robocopp.com/store/p2/soundgrenade>.

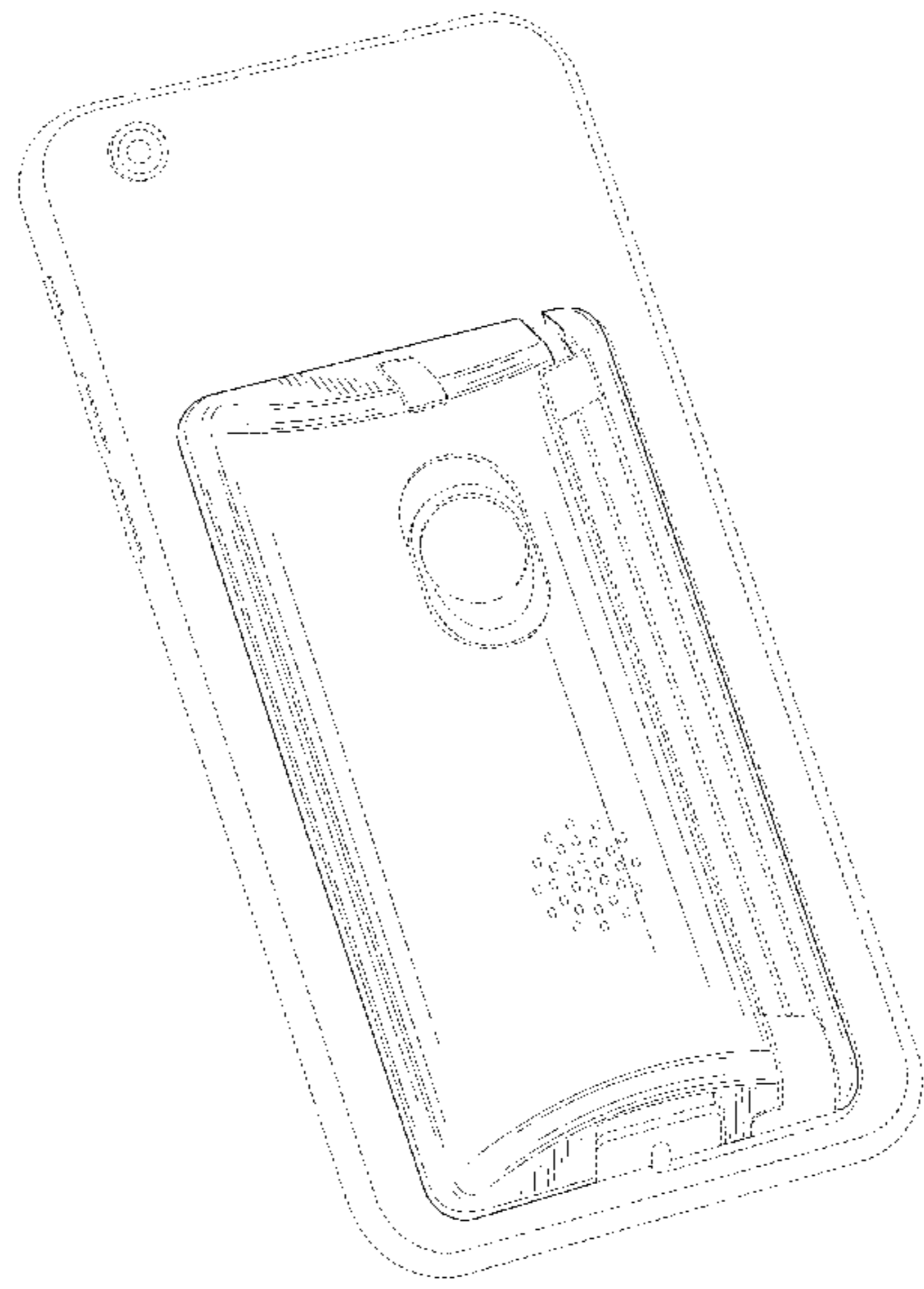
* cited by examiner

Primary Examiner — Eric L Goodman
Assistant Examiner — Aula Soroush
(74) *Attorney, Agent, or Firm* — Fish & Richardson P.C.

(57) **CLAIM**
The ornamental design for a mobile phone accessory, as shown and described.

DESCRIPTION
FIG. 1 is a rear view of the mobile phone accessory; FIG. 2 is a left side view of the mobile phone accessory; FIG. 3 is a right side view of the mobile phone accessory; FIG. 4 is a top view of the mobile phone accessory; FIG. 5 is a bottom view of the mobile phone accessory; FIG. 6 is a front view of the mobile phone accessory; FIG. 7 is a top right rear perspective view of the mobile phone accessory; FIG. 8 is a top left rear perspective view of the mobile phone accessory; FIG. 9 is a rear view of the mobile phone accessory engaged with a mobile phone; FIG. 10 is a bottom left rear perspective view of the mobile phone accessory engaged with the mobile phone; and, FIG. 11 is a bottom right rear perspective view of the mobile phone accessory engaged with the mobile phone. The broken line showing of the mobile phone in FIGS. 9-11 depicts environment and forms no part of the claimed design. All other broken lines depict portions of the mobile phone accessory that form no part of the claimed design.

1 Claim, 9 Drawing Sheets



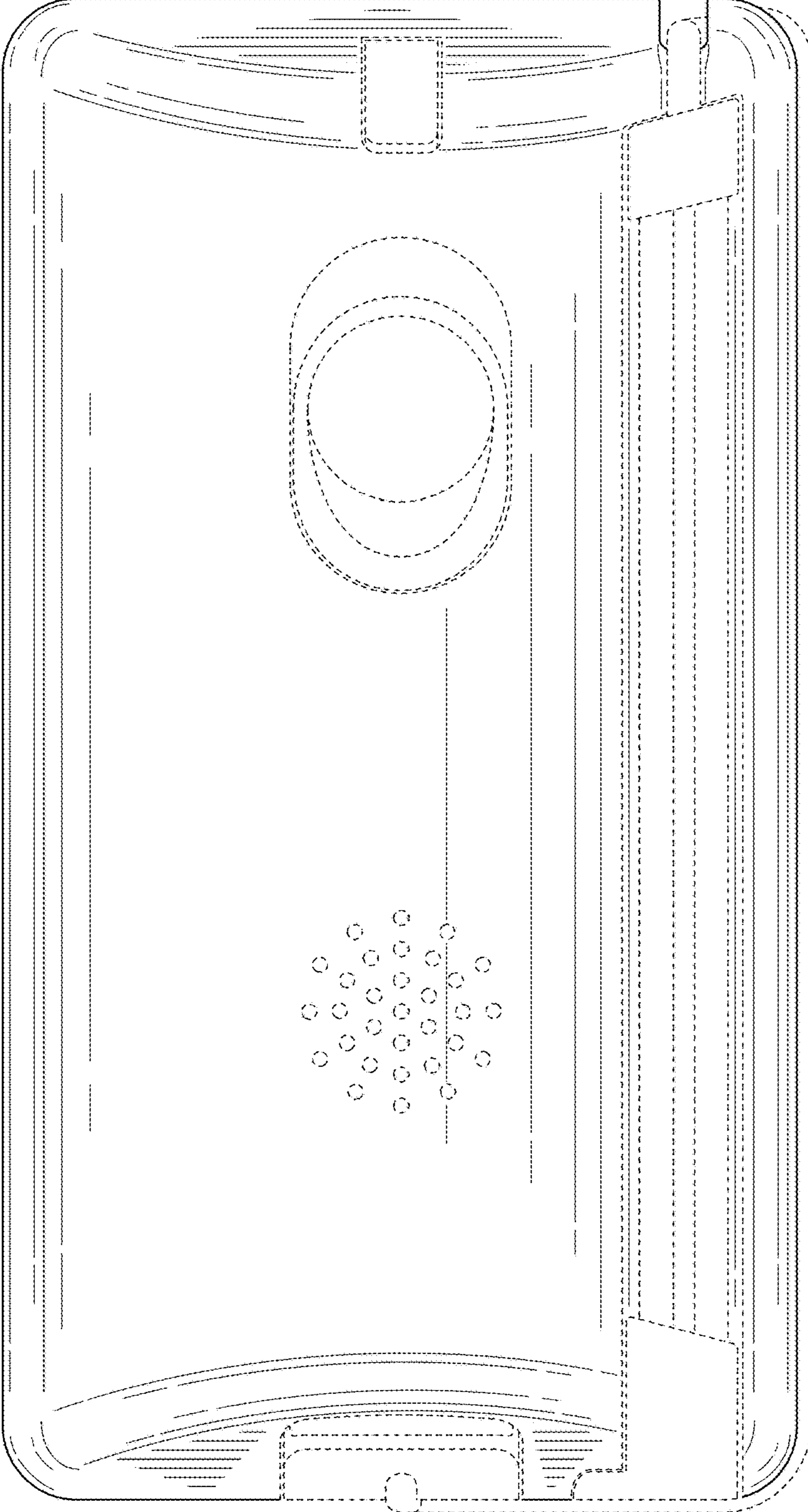


FIG. 1

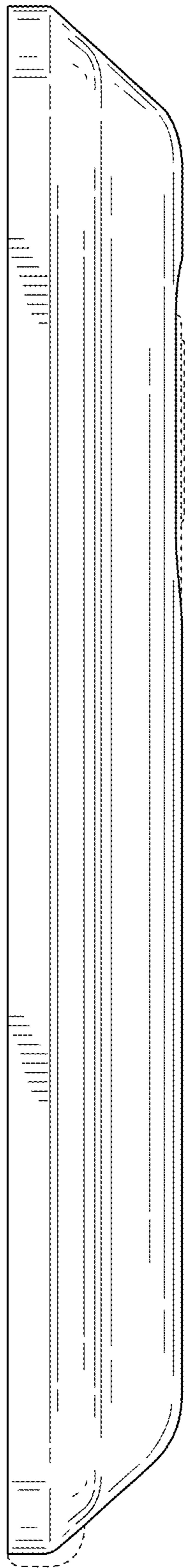


FIG. 2

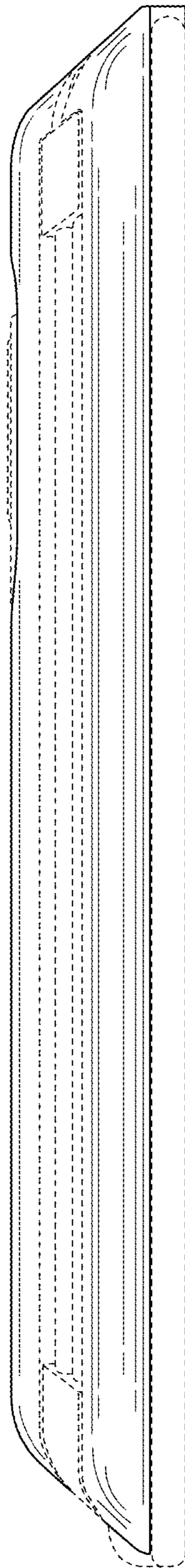


FIG. 3

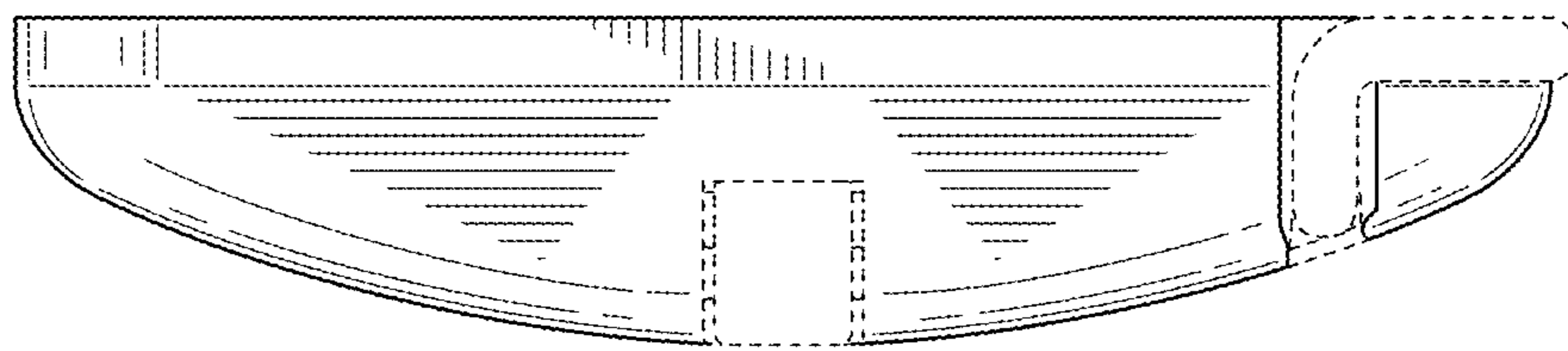


FIG. 4

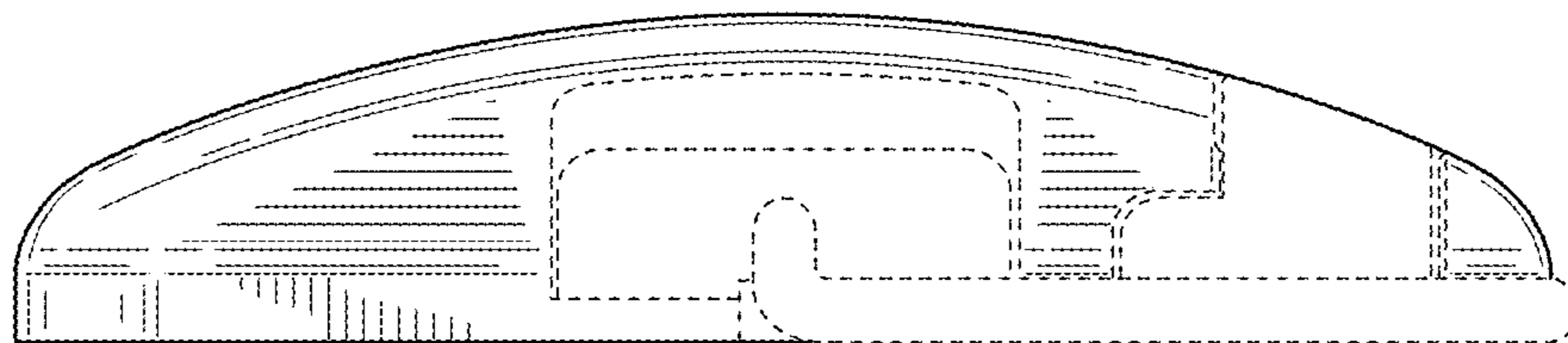


FIG. 5

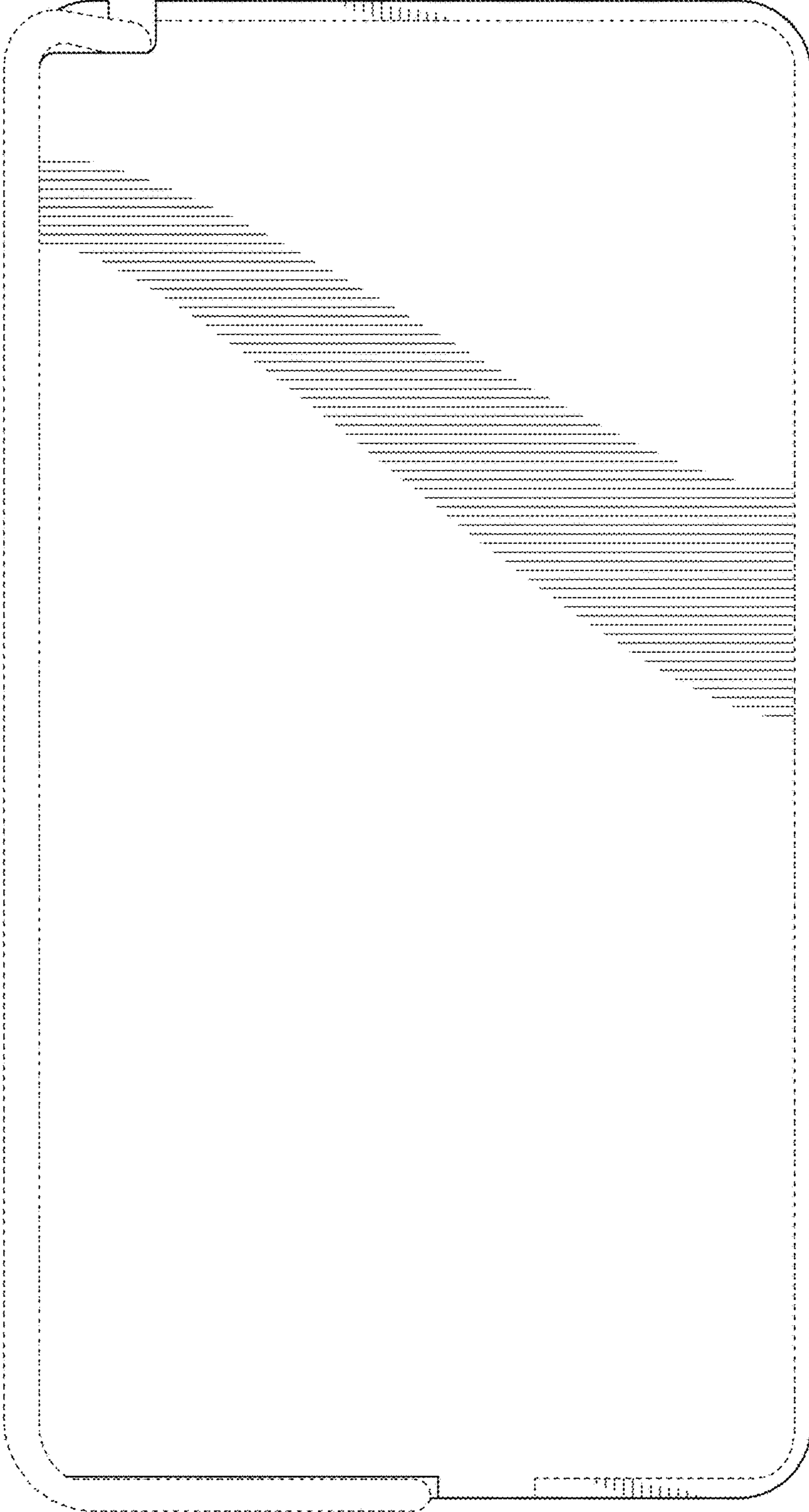


FIG. 6

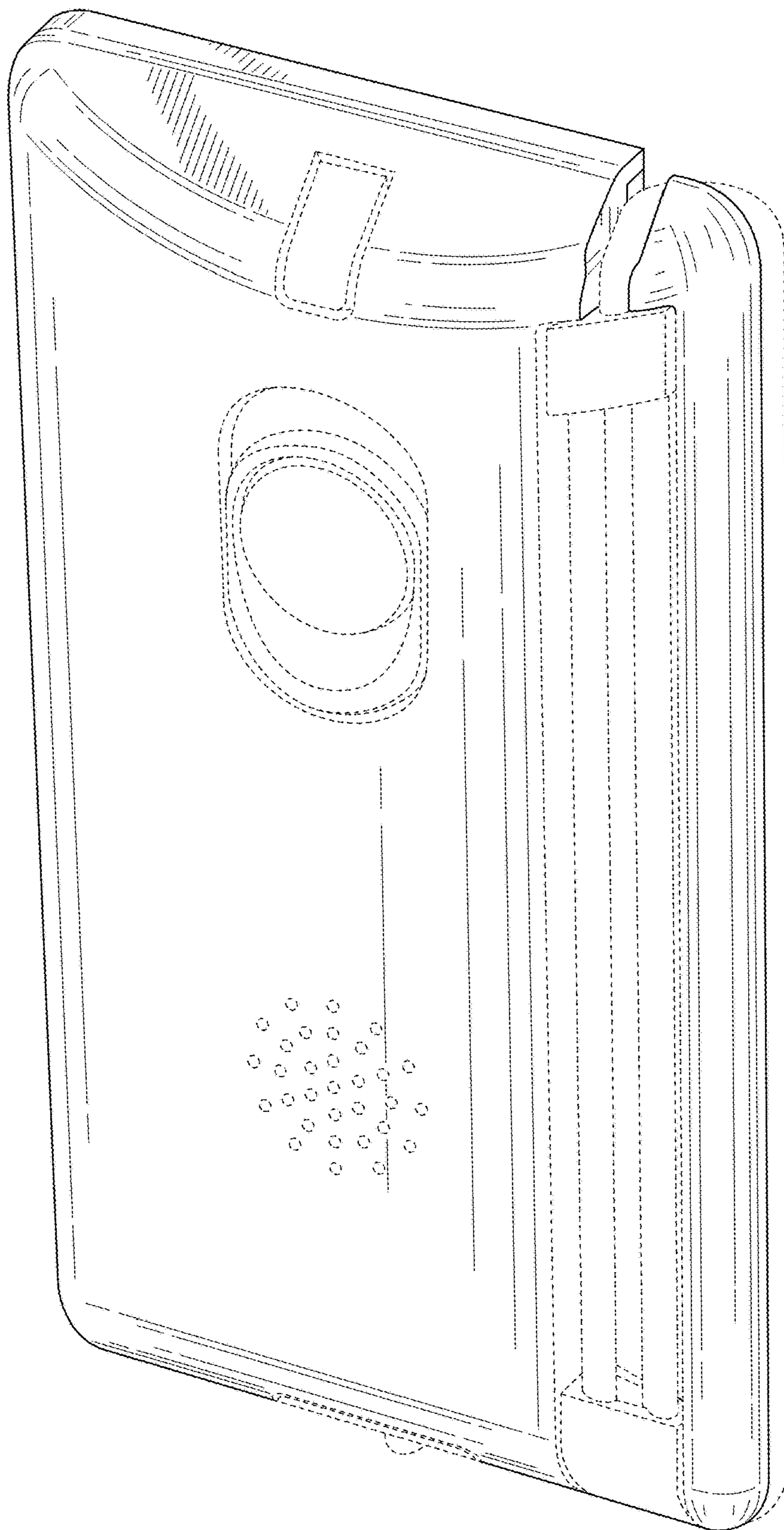


FIG. 7

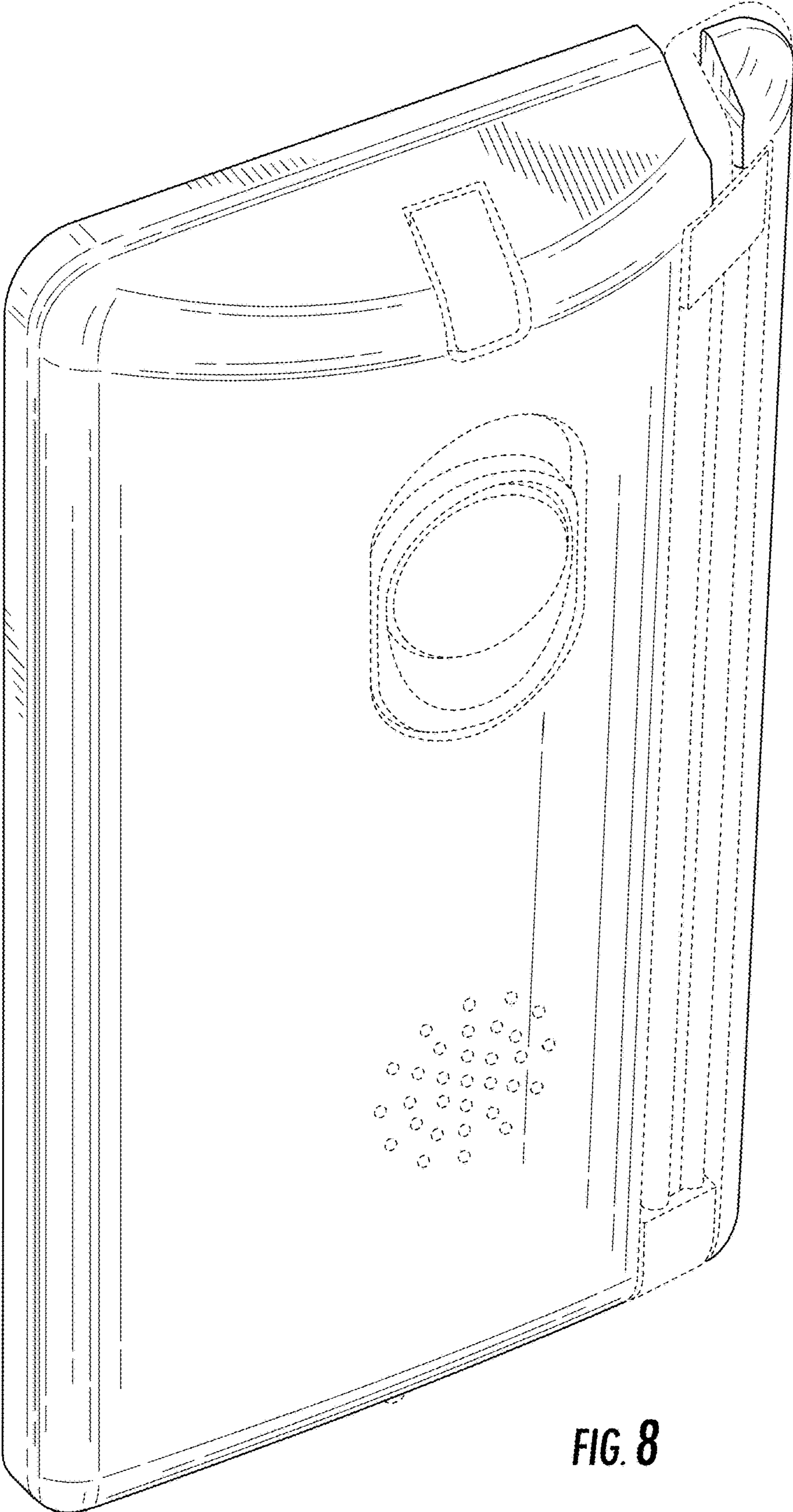


FIG. 8

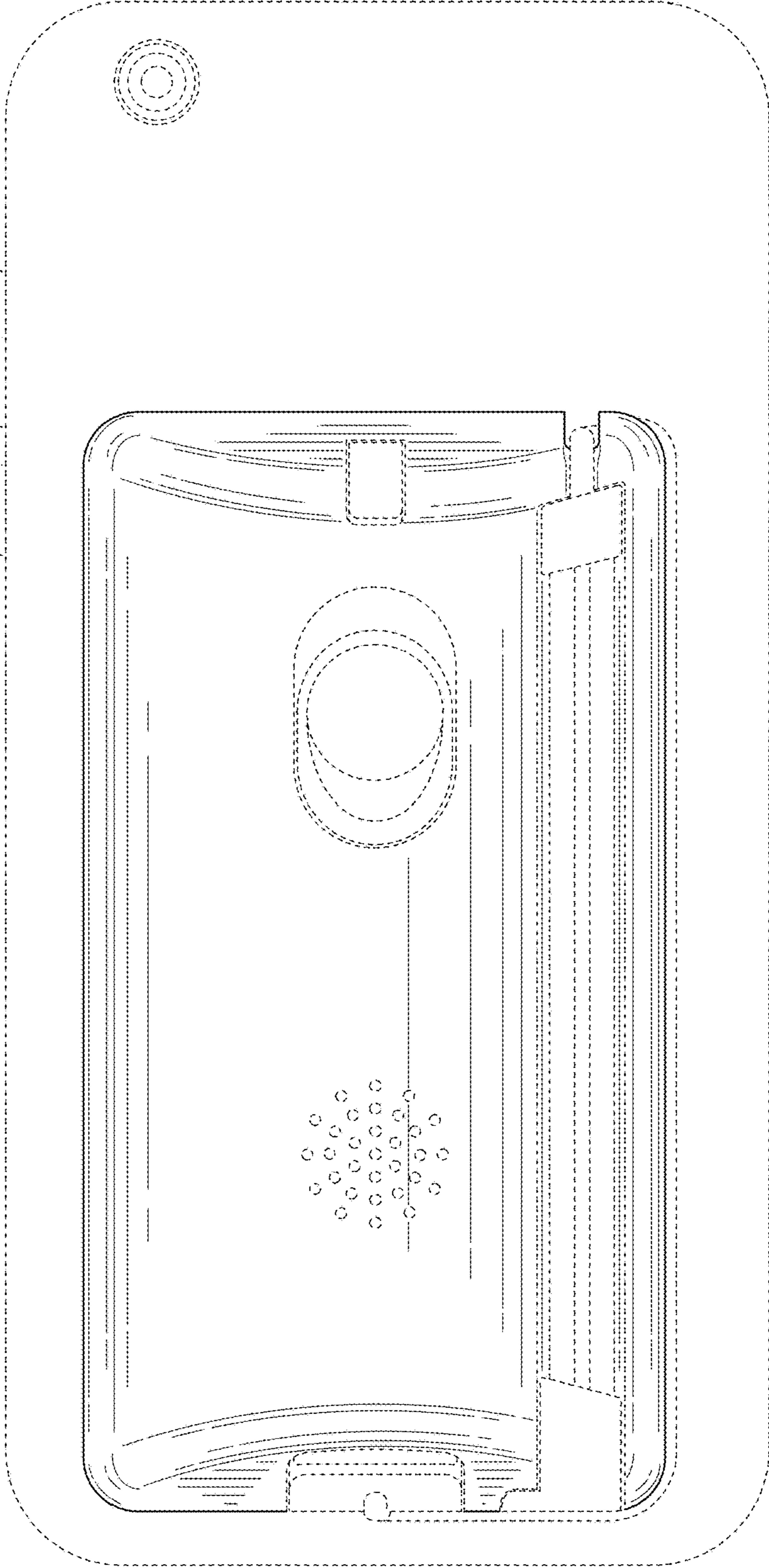


FIG. 9

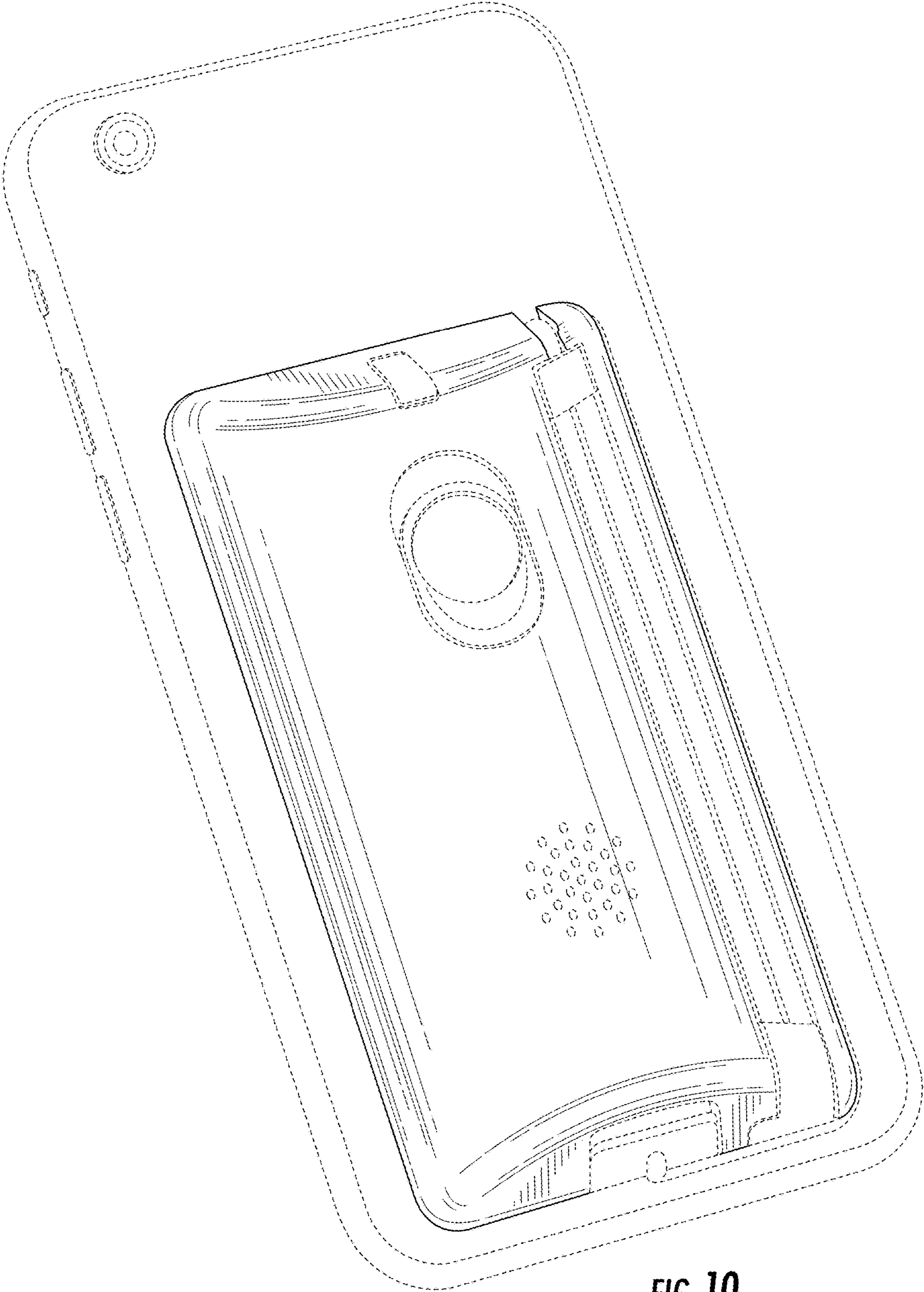


FIG. 10

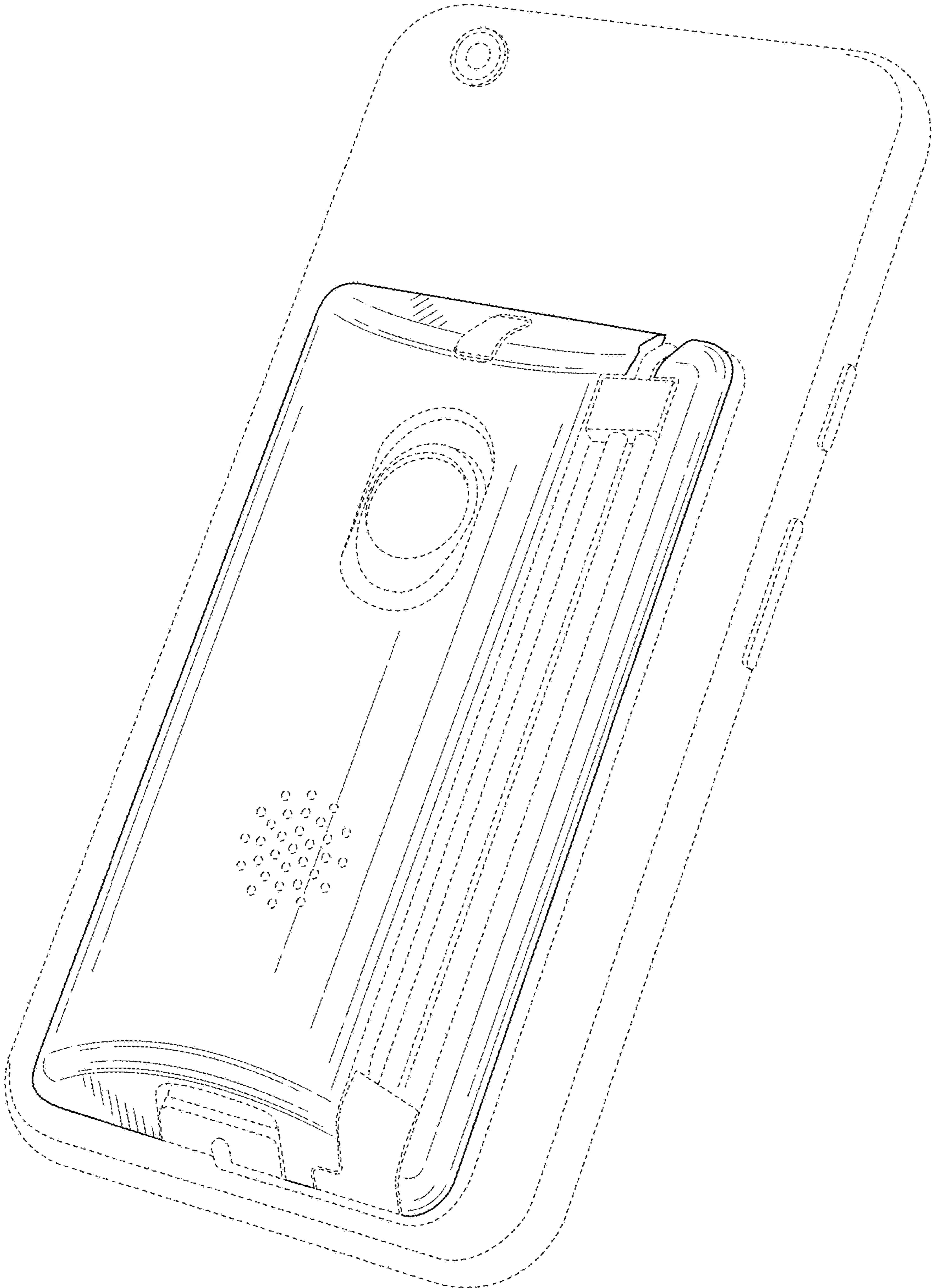


FIG. 11