



US00D835060S

(12) **United States Design Patent** (10) **Patent No.:** **US D835,060 S**
Peng (45) **Date of Patent:** **** Dec. 4, 2018**

(54) **TELEPHONE**
(71) Applicant: **Li Peng**, Nanjing (CN)
(72) Inventor: **Li Peng**, Nanjing (CN)
(**) Term: **15 Years**
(21) Appl. No.: **29/591,412**
(22) Filed: **Jan. 19, 2017**
(51) **LOC (11) Cl.** **14-03**
(52) **U.S. Cl.**
USPC **D14/151**
(58) **Field of Classification Search**
USPC ... D14/140, 140.1, 140.7, 140.8, 141.2, 142,
D14/144, 147, 148, 149, 150, 151, 158,
D14/159, 188, 217, 240, 243, 247, 248,
D14/251, 299, 329, 462, 467, 471, 130;
D21/517
CPC H04M 1/00; H04M 1/003; H04M 1/006;
H04M 1/02; H04M 1/0297; H04M 1/03;
H04M 1/0214; H04M 1/6041; H04M
1/6066; H04M 1/23; H04M 1/253; H04M
1/2535; H04M 7/006
See application file for complete search history.

D472,227 S * 3/2003 Takayama D14/151
D482,342 S * 11/2003 Weidinger D14/151
D489,700 S * 5/2004 Hillenmayer D14/151
D490,795 S * 6/2004 Watanabe D14/151
D499,078 S * 11/2004 Abe D14/151
D499,079 S * 11/2004 Abe D14/151
D499,712 S * 12/2004 Abe D14/151
D500,482 S * 1/2005 Shibata D14/140.11
D513,412 S * 1/2006 Kodera D14/151
7,068,641 B1 * 6/2006 Allan H04M 3/42136
370/352
D529,477 S * 10/2006 Hsu D14/151
D530,303 S * 10/2006 Tang D14/151
D536,328 S * 2/2007 Chou D14/151
D537,065 S * 2/2007 Chen D14/151
7,216,401 B2 * 5/2007 Bae H04M 1/0295
16/262
D551,203 S * 9/2007 Abe D14/151
D553,605 S * 10/2007 Chou D14/151

(Continued)

Primary Examiner — Susan Bennett Hattan
Assistant Examiner — Marie D. Fast Horse
(74) *Attorney, Agent, or Firm* — Maynard Cooper &
Gale, P.C.; Jon E. Holland

(57) **CLAIM**

The ornamental design for a telephone, as shown and described.

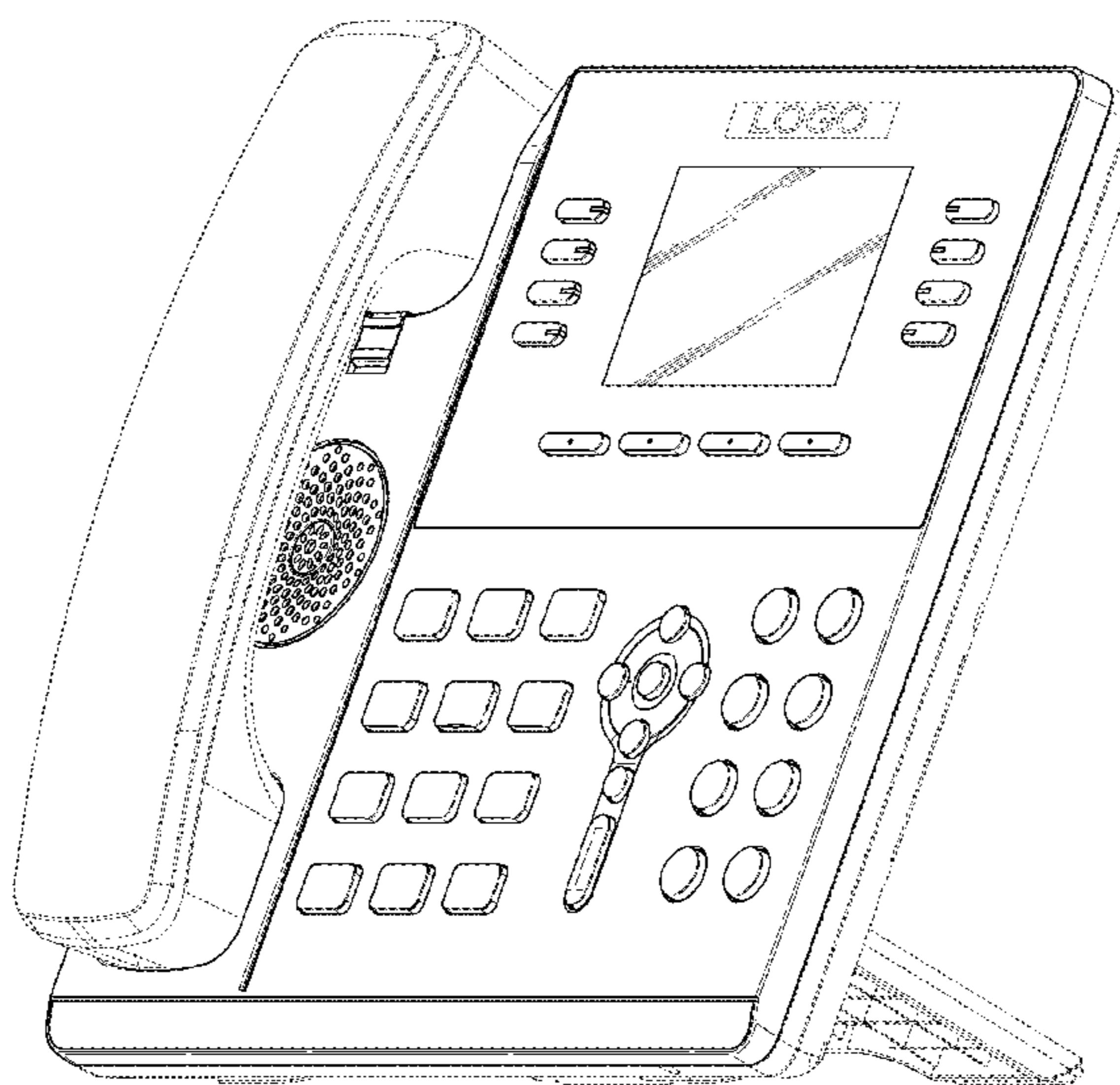
DESCRIPTION

FIG. 1 is a perspective view of a telephone showing my new design;
FIG. 2 is another perspective view thereof;
FIG. 3 is front view of the telephone shown in FIG. 1;
FIG. 4 is left view of the telephone shown in FIG. 1;
FIG. 5 is right view of the telephone shown in FIG. 1;
FIG. 6 is top view of the telephone shown in FIG. 1; and,
FIG. 7 is bottom view of the telephone shown in FIG. 1.
The broken lines in the drawings depict portions of the telephone that form no part of the claimed design.

1 Claim, 5 Drawing Sheets

(56) **References Cited**
U.S. PATENT DOCUMENTS

D310,524 S * 9/1990 Utsuki 379/436
5,170,427 A * 12/1992 Guichard H04M 1/02
348/14.05
D332,263 S * 1/1993 Taniguchi D14/151
D339,341 S * 9/1993 Allen D14/146
D354,956 S * 1/1995 Toh D14/151
D359,490 S * 6/1995 Arakaki D14/146
D381,981 S * 8/1997 Johansson D14/151
D386,759 S * 11/1997 Elkins D14/151
D405,447 S * 2/1999 Landry D14/151
D410,005 S * 5/1999 Landry D14/151
D427,985 S * 7/2000 Takayama D14/130



(56)

References Cited

U.S. PATENT DOCUMENTS

D555,143	S	*	11/2007	Chou	D14/151
D556,181	S	*	11/2007	Liu	D14/151
D558,180	S	*	12/2007	Daly	D14/151
D558,729	S	*	1/2008	Daly	D14/151
D562,303	S	*	2/2008	Beasley	D14/151
D577,706	S	*	9/2008	Andrews	D14/151
D582,886	S	*	12/2008	Woo	D14/151
D588,573	S	*	3/2009	West	D14/151
D594,439	S	*	6/2009	Jeon	D14/151
D608,759	S	*	1/2010	Chun	D14/151
D609,212	S	*	2/2010	Turnbull	D14/151
D664,520	S	*	7/2012	Shadovitz	D14/150
D676,411	S	*	2/2013	Taniguchi	D14/151
D694,733	S	*	12/2013	Rodriguez	D14/142
D723,502	S	*	3/2015	Chun	D14/130
D767,527	S	*	9/2016	Hillenmayer	D14/140.8
D771,005	S	*	11/2016	Tani	D14/142
D781,809	S	*	3/2017	Schwarz	D14/151
D782,994	S	*	4/2017	Schwarz	D14/151
D783,569	S	*	4/2017	Kwak	D14/151
D788,737	S	*	6/2017	Takei	D14/151
D797,698	S	*	9/2017	Kwak	D14/151
2008/0082594	A1	*	4/2008	Soltes	G06F 17/30067
2010/0322410	A1	*	12/2010	Lin	H04M 1/0295 379/428.03

* cited by examiner

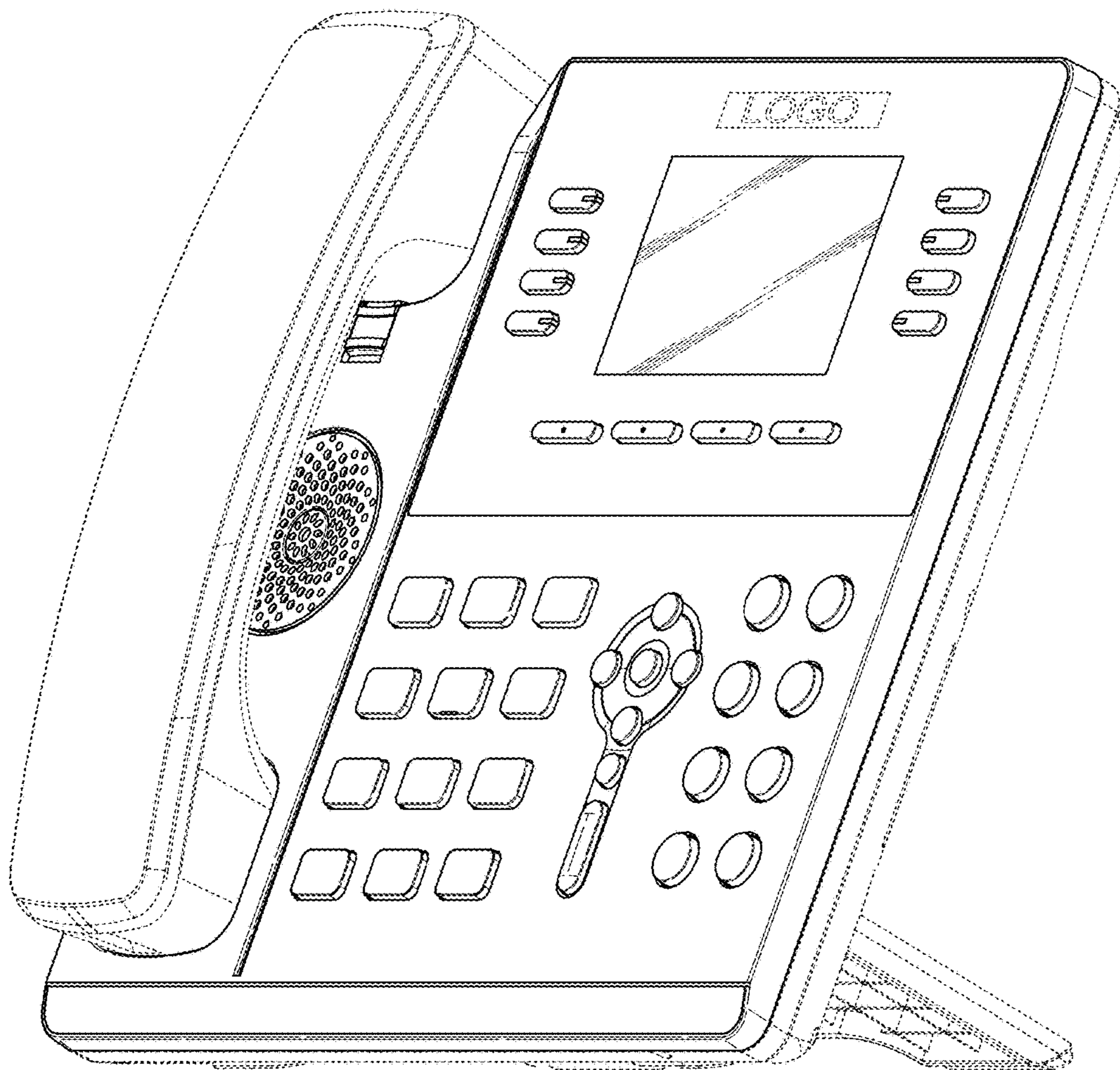


FIG. 1

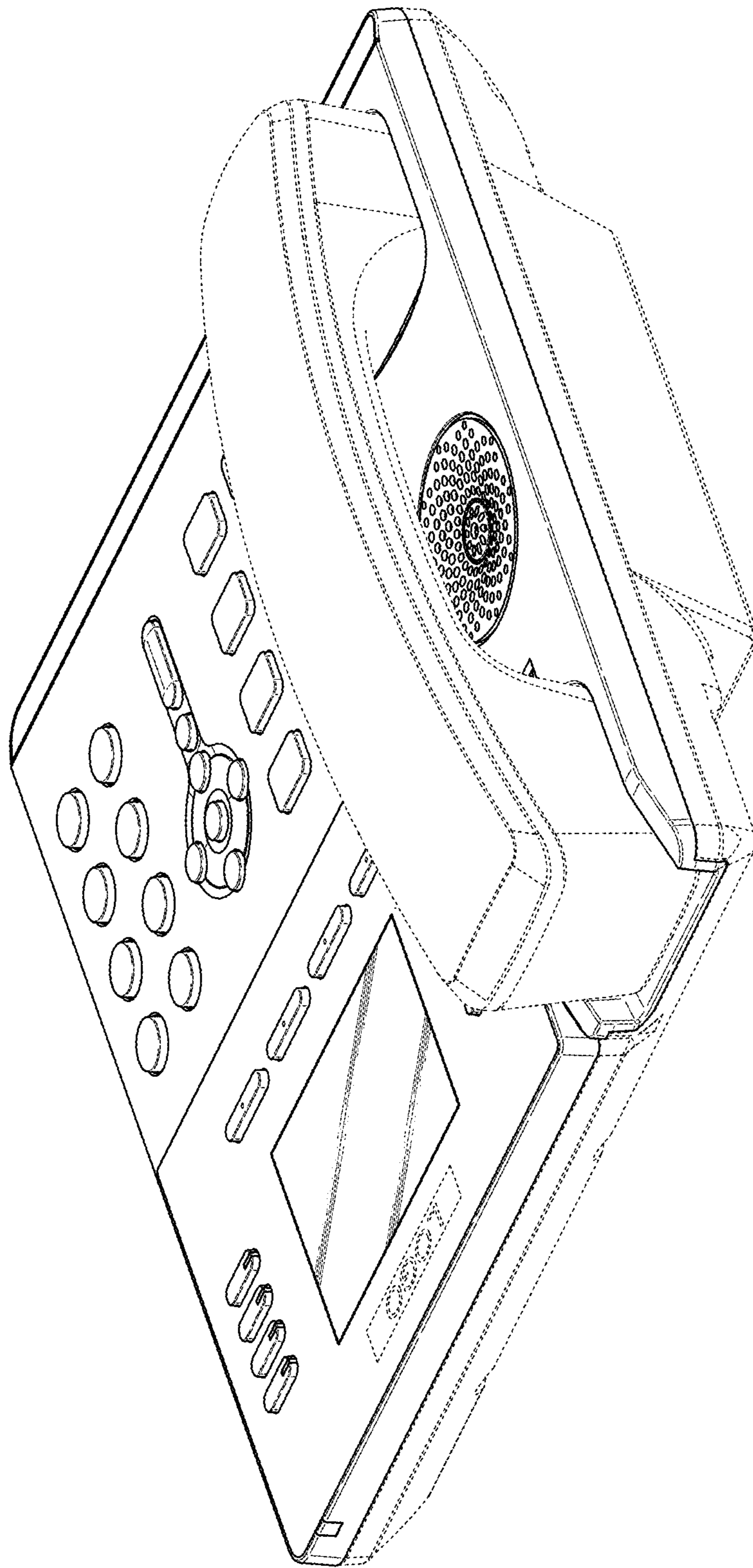


FIG. 2

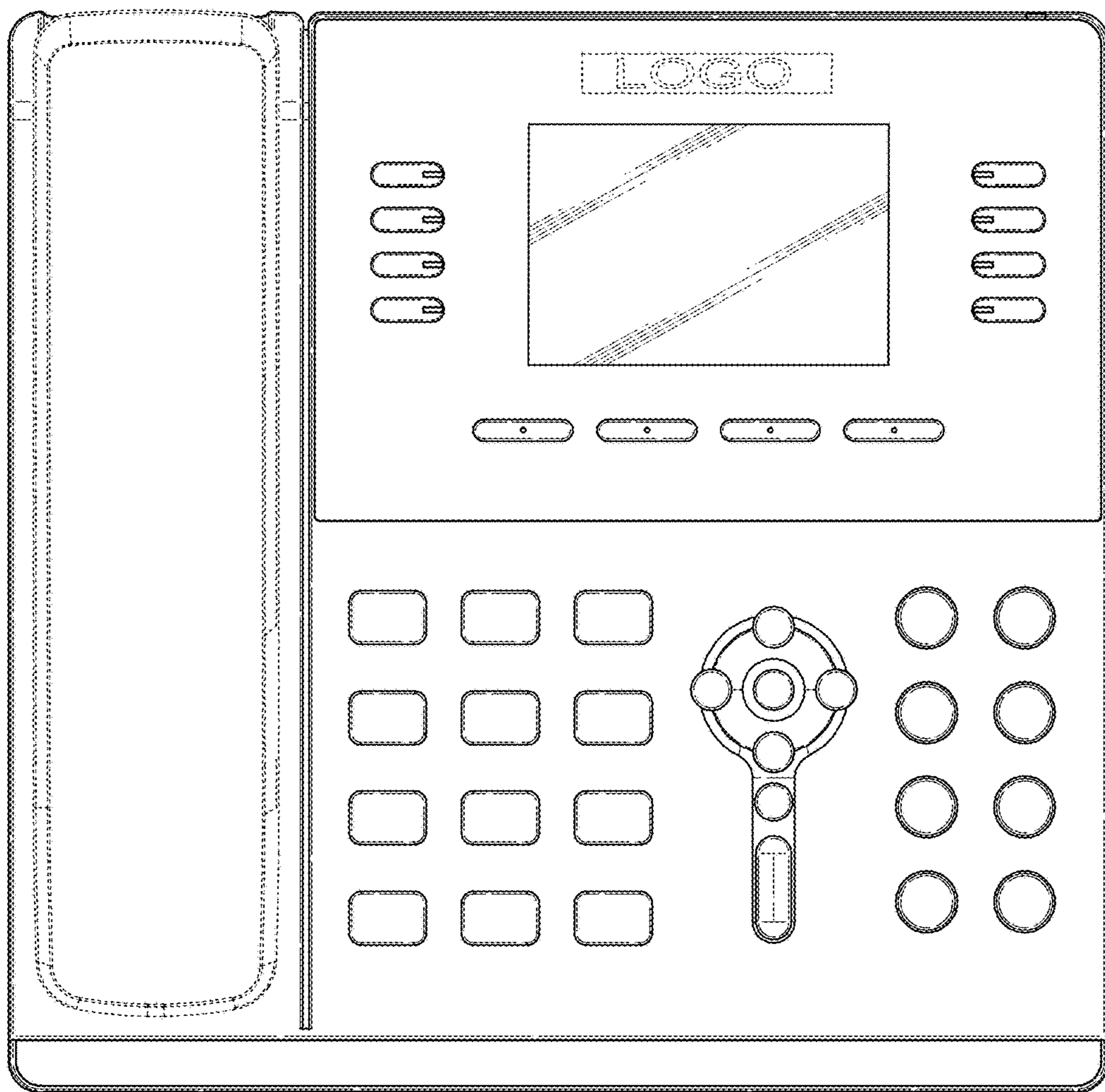


FIG. 3

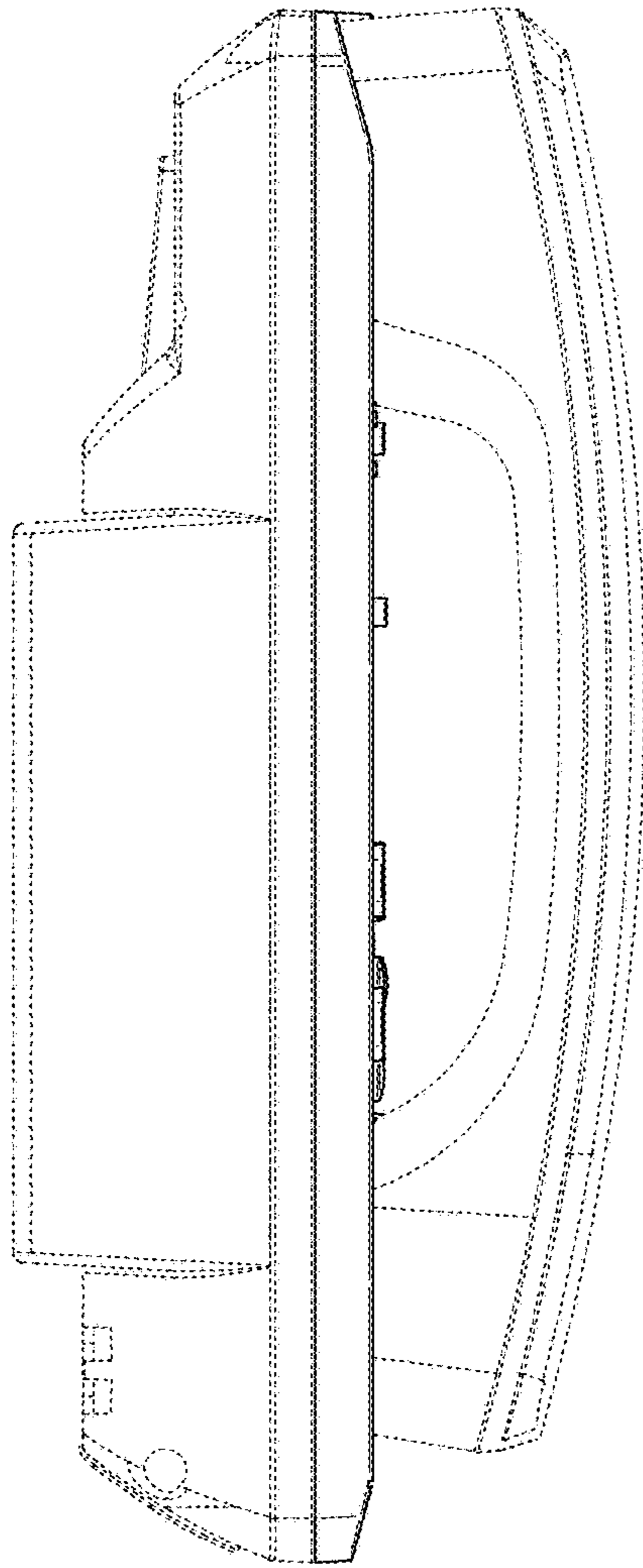


FIG. 4

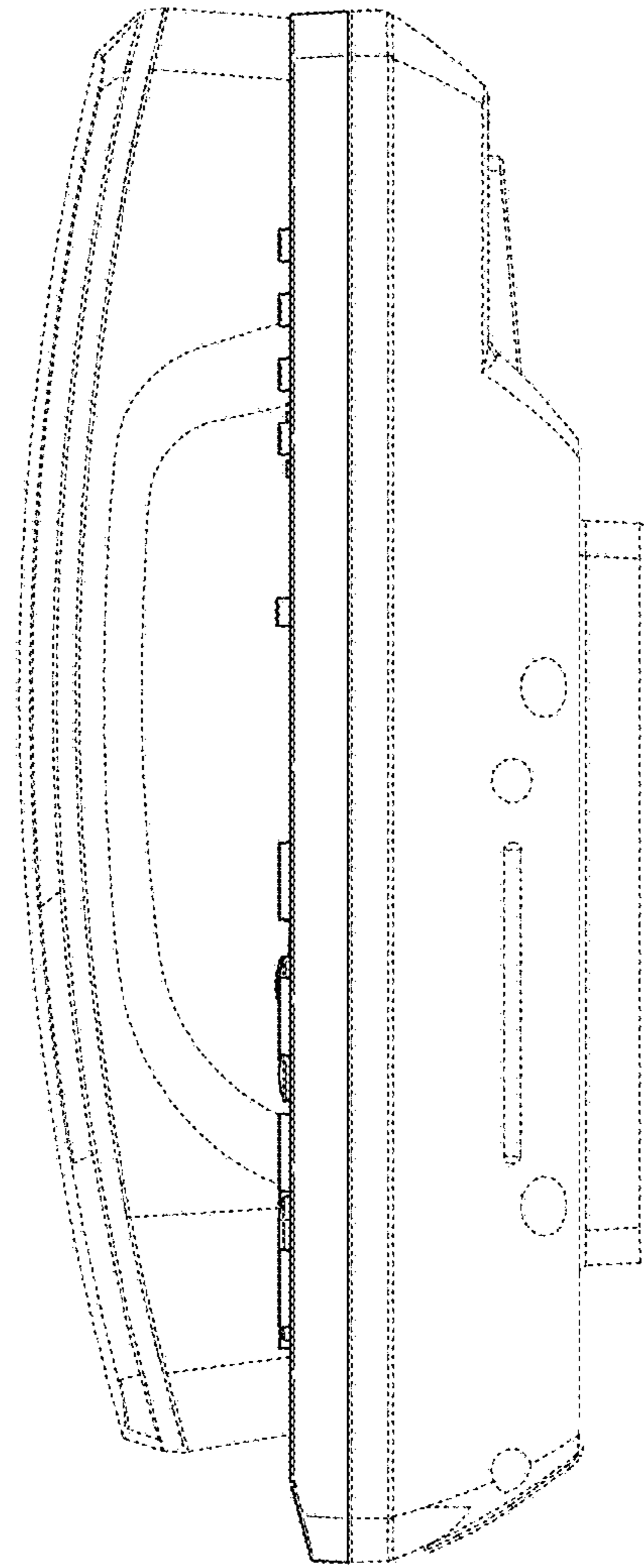


FIG. 5

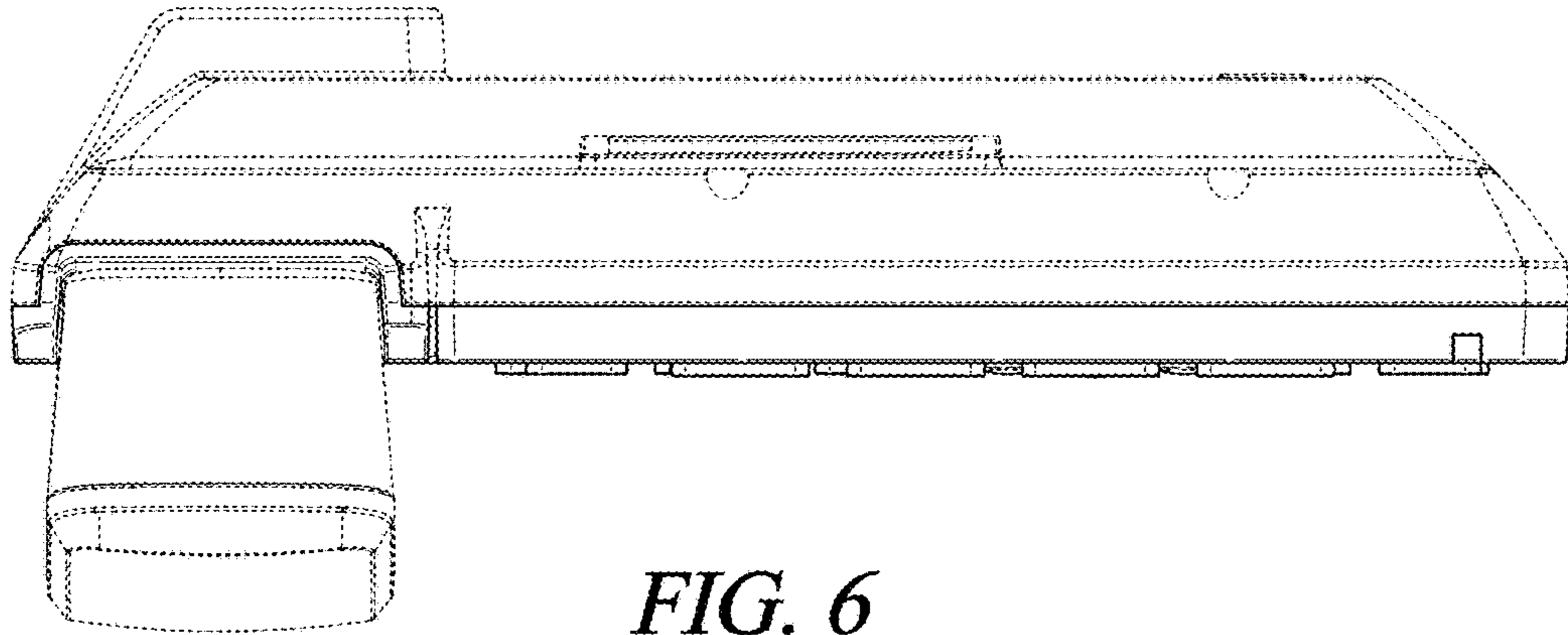


FIG. 6

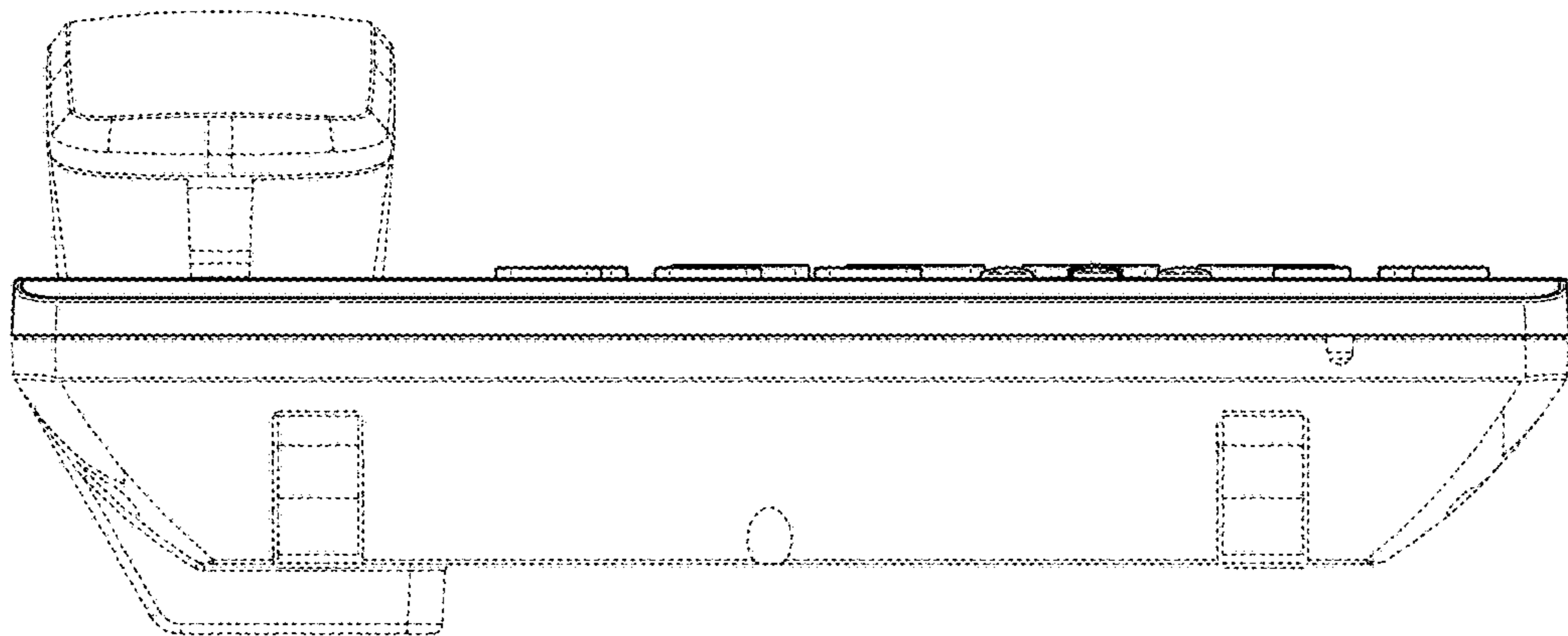


FIG. 7