



US00D835057S

(12) **United States Design Patent** (10) **Patent No.:** **US D835,057 S**
Won et al. (45) **Date of Patent:** **** *Dec. 4, 2018**

(54) **TV RECEIVER**

(56) **References Cited**

(71) Applicant: **LG ELECTRONICS INC.**, Seoul (KR)

U.S. PATENT DOCUMENTS

(72) Inventors: **Hyojin Won**, Seoul (KR); **Hyeyoung Hong**, Seoul (KR); **Yongho Lee**, Seoul (KR); **Youngkyoung Kim**, Seoul (KR)

D257,601 S * 12/1980 Cyplik D6/332
D346,965 S * 5/1994 Wolff D10/1
D460,056 S * 7/2002 Niitsu D14/126
D463,409 S * 9/2002 Niitsu D14/239
D474,453 S * 5/2003 Kanatani D14/126
D539,767 S * 4/2007 Kang D14/126
D542,296 S * 5/2007 Bockheim D14/451
D564,463 S * 3/2008 Chen D14/126
D605,193 S * 12/2009 Andre D14/336
D623,619 S * 9/2010 Roed D14/126

(73) Assignee: **LG ELECTRONICS INC.**, Seoul (KR)

(Continued)

(*) Notice: This patent is subject to a terminal disclaimer.

OTHER PUBLICATIONS

(**) Term: **15 Years**

Hontoria, Noelia, 3 advantages of OLED TVs, posted at giztele, posting date Dec. 7, 2015. [online] [site visited Apr. 15, 2018]. Available from Internet. <URL: <https://www.giztele.com/3-ventajas-de-los-televisores-oled/>> (Year: 2015).*

(21) Appl. No.: **35/503,230**

(Continued)

(22) Filed: **Dec. 23, 2016**

(80) **Hague Agreement Data**

Int. Filing Date: **Dec. 23, 2016**
Int. Reg. No.: **DM/094273**
Int. Reg. Date: **Dec. 23, 2016**
Int. Reg. Pub. Date: **Jun. 23, 2017**

Primary Examiner — George D. Kirschbaum

Assistant Examiner — Kathleen L Jones

(74) *Attorney, Agent, or Firm* — Birch, Stewart, Kolasch & Birch, LLP

(30) **Foreign Application Priority Data**

Jun. 28, 2016 (KR) 30-2016-0031481

(51) **LOC (11) Cl.** **14-03**

(52) **U.S. Cl.**
USPC **D14/126**

(58) **Field of Classification Search**

USPC D14/125-134, 239, 336, 371, 373-377, D14/379-380, 382, 447, 448, 450, 451, D14/452; D21/329, 332, 515; D10/26
CPC G06F 1/16; G06F 1/1601; G06F 1/1637; H04N 5/64; H05K 5/0017; H05K 5/0204; H05K 5/0217

See application file for complete search history.

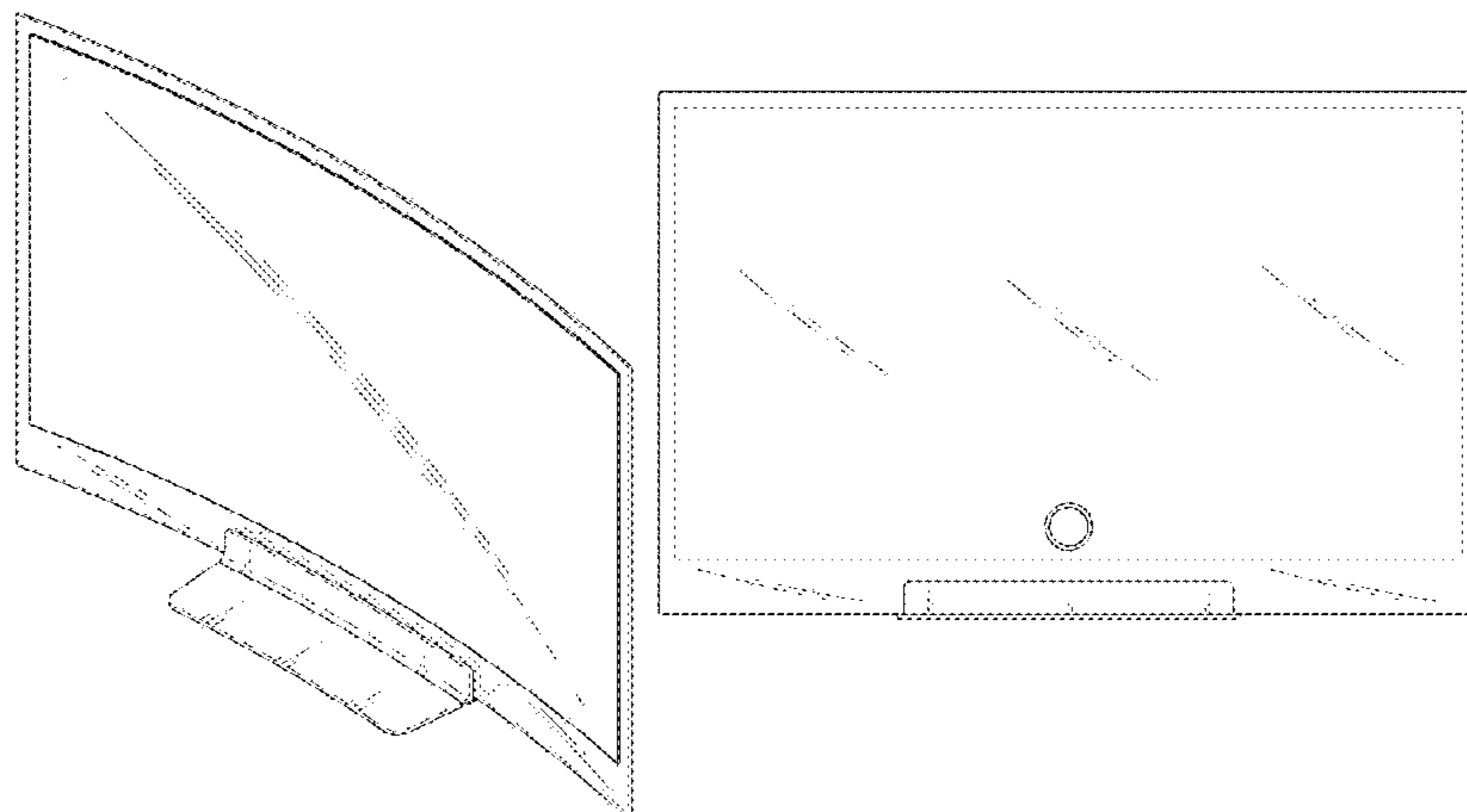
(57) **CLAIM**

The ornamental design for a TV receiver, as shown and described.

DESCRIPTION

- 1. TV receiver
- 1.1 : Perspective
- 1.2 : Front
- 1.3 : Back
- 1.4 : Left
- 1.5 : Right
- 1.6 : Top
- 1.7 : Bottom
- 1.8 : Enlarged
- 1.9 : Enlarged

1 Claim, 9 Drawing Sheets



(56)

References Cited

U.S. PATENT DOCUMENTS

D658,615	S	*	5/2012	Chiu	D14/126
D661,124	S	*	6/2012	Curbbun	D20/10
D663,706	S	*	7/2012	Cha	D14/126
D682,798	S	*	5/2013	Lee	D14/126
D682,799	S	*	5/2013	Hwang Bo	D14/126
D689,454	S	*	9/2013	Shih	D14/126
D694,726	S	*	12/2013	Yamaguchi	D14/126
D703,167	S	*	4/2014	McManigal	D14/126
D715,753	S	*	10/2014	Jang	D14/126
D717,753	S	*	11/2014	Totsuka	D14/126
D719,117	S	*	12/2014	Huh	D14/126
D736,732	S	*	8/2015	Yoon	D14/126
D751,520	S	*	3/2016	Seo	D14/126
D761,220	S	*	7/2016	Kim	D14/126
D761,221	S	*	7/2016	Kim	D14/126
D761,747	S	*	7/2016	Kim	D14/126
D777,127	S	*	1/2017	Kim	D14/126
D793,751	S	*	8/2017	Kitajima	D6/332
D808,668	S	*	1/2018	Tsuchiyama	D6/332
D814,465	S	*	4/2018	Kim	D14/374
D817,907	S	*	5/2018	Kim	D14/126
2014/0293140	A1	*	10/2014	Tsuzuki	H04N 5/655 348/836
2015/0296641	A1	*	10/2015	Song	H05K 5/0217 361/679.01

OTHER PUBLICATIONS

LGIndia, Clear images without any blur!, posted at Twitter, posting date Dec. 5, 2015. [online] [site visited Apr. 15, 2018]. Available

from Internet. <URL: <https://twitter.com/lgindia/status/673358905620209665>> (Year: 2015).*

Hummelose, Jens, LG's 2018 OLED TV comes with HFR, posted at recordere, posting date Jan. 3, 2018. [online] [site visited Apr. 15, 2018]. Available from Internet. <URL: <http://www.recordere.dk/2018/01/lgs-2018-oled-tv-kommer-hfr-hurtigere-chipset/>> (Year: 2018).*

Acrylic Sign Holder with Magnets, posted at Displays2Go, review date May 15, 2017. [online] [site visited Apr. 13, 2018]. Available from Internet. <URL: <https://www.displays2go.com/P-21732/Stand-Up-Picture-Frame-Closes-with-Magnets>> (Year: 2017).*

TV Stand vs Wall Unit, posted at Medium, posting date Nov. 28, 2016. [online] [site visited Apr. 13, 2018]. Available from Internet. <URL: <https://medium.com/@furniturenyc.net/tv-stand-vs-wall-unit-bcee02a90d6b>> (Year: 2016).*

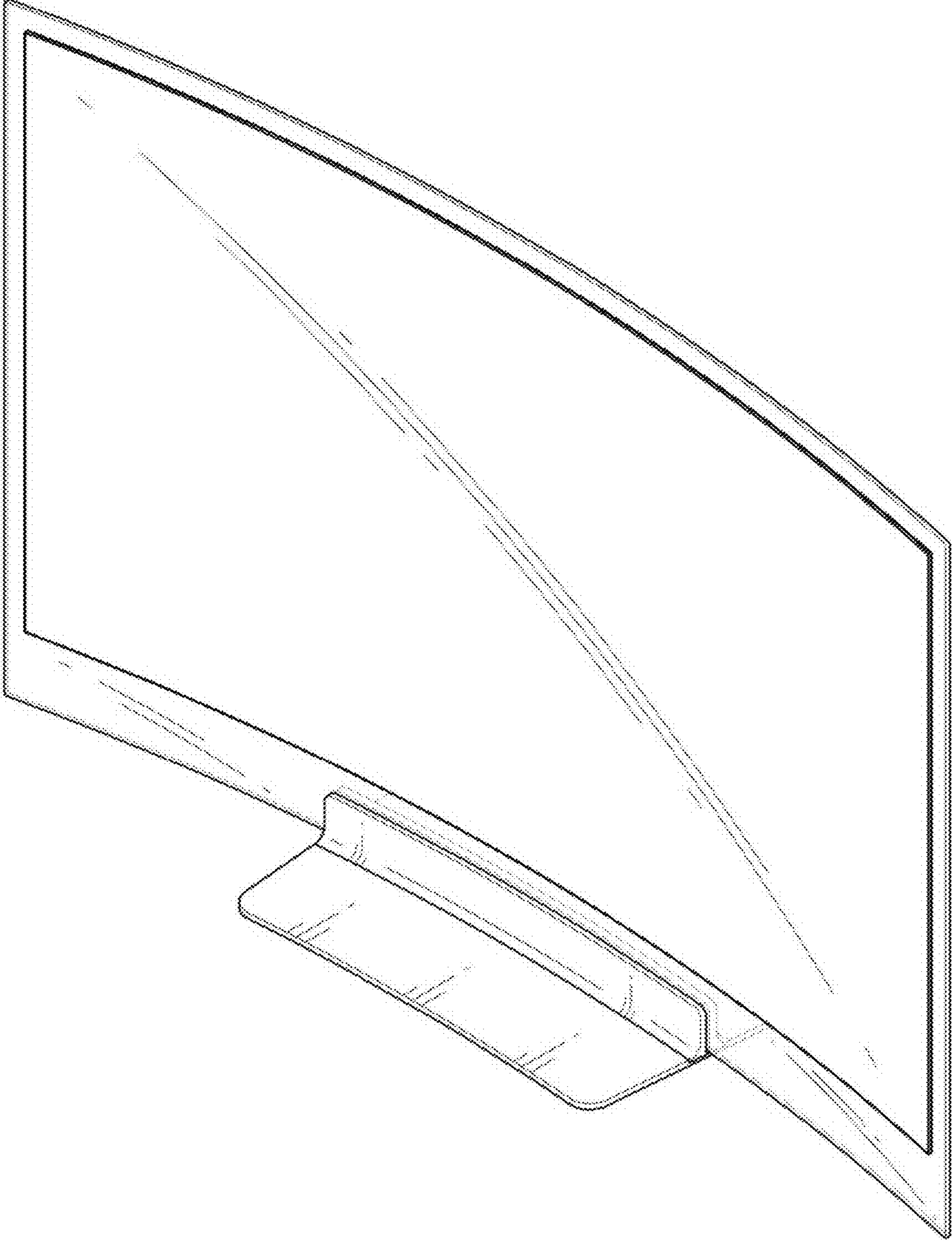
Cool Minimalist Glass TV Stand, posted at fesdecor, posting date not available. [online] [site visited Apr. 13, 2018]. Available from Internet. <URL: <http://fesdecor.com/cool-tv-stands-designs-ideas-that-inspire-for-unique-home-decoration/cool-minimalist-glass-tv-stand-with-shelf/>>.*

Jacobi, Jon, OLED vs LED, posted at TechHive, posting date Jan. 25, 2016. [online] [site visited Apr. 13, 2018]. Available from Internet. <URL: <https://www.techhive.com/article/3018446/smart-tv/oled-vs-led-theres-just-no-comparison.html>> (Year: 2016).*

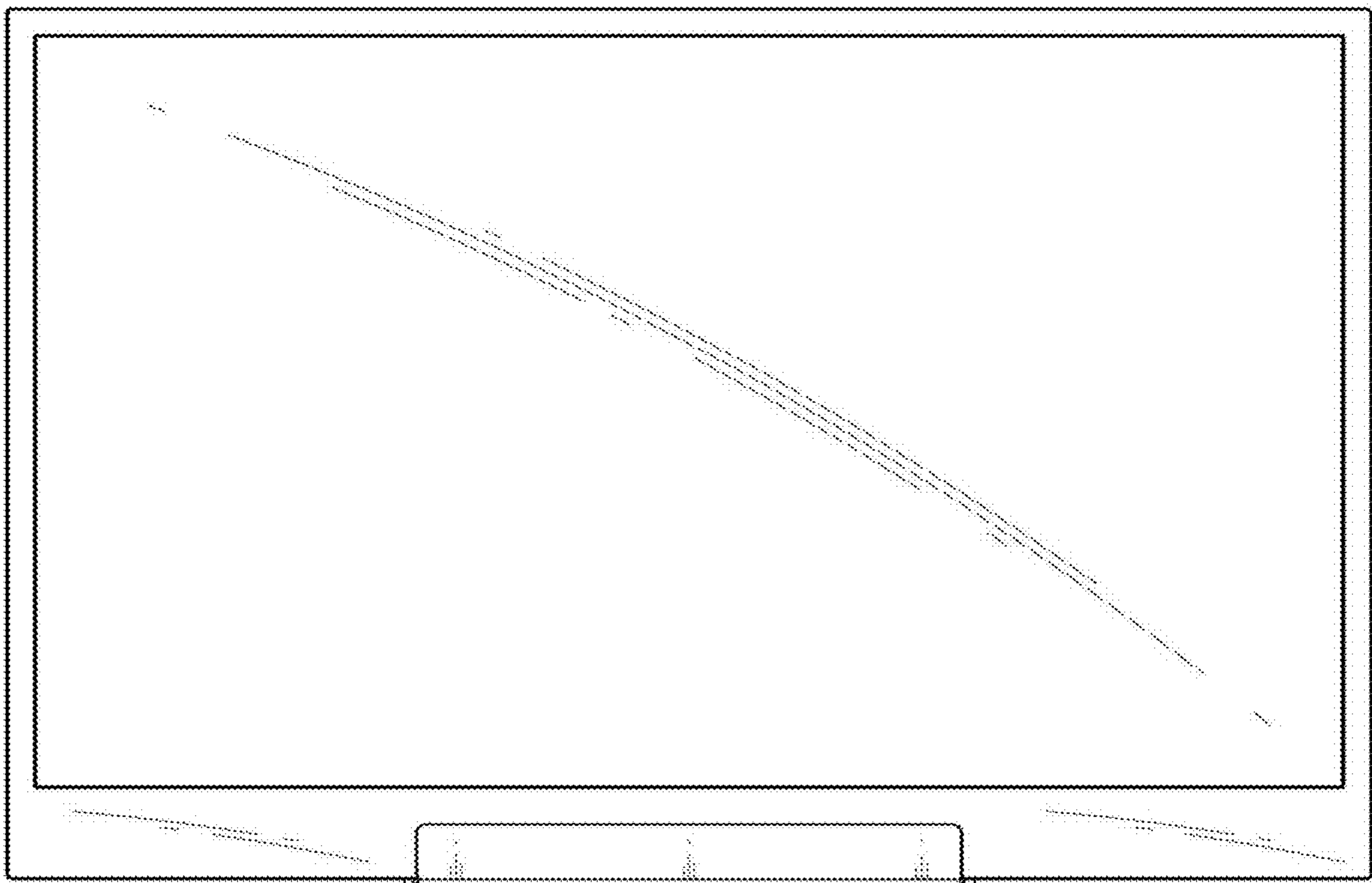
Denison, Caleb, LG OLED55B6P 4K HDR OLED TV Review, posted at Digital Trends, posting date Nov. 29, 2016. [online] [site visited Apr. 13, 2018]. Available from Internet. <URL: <https://www.digitaltrends.com/tv-reviews/lg-oled55b6p-review/>> (Year: 2016).*

* cited by examiner

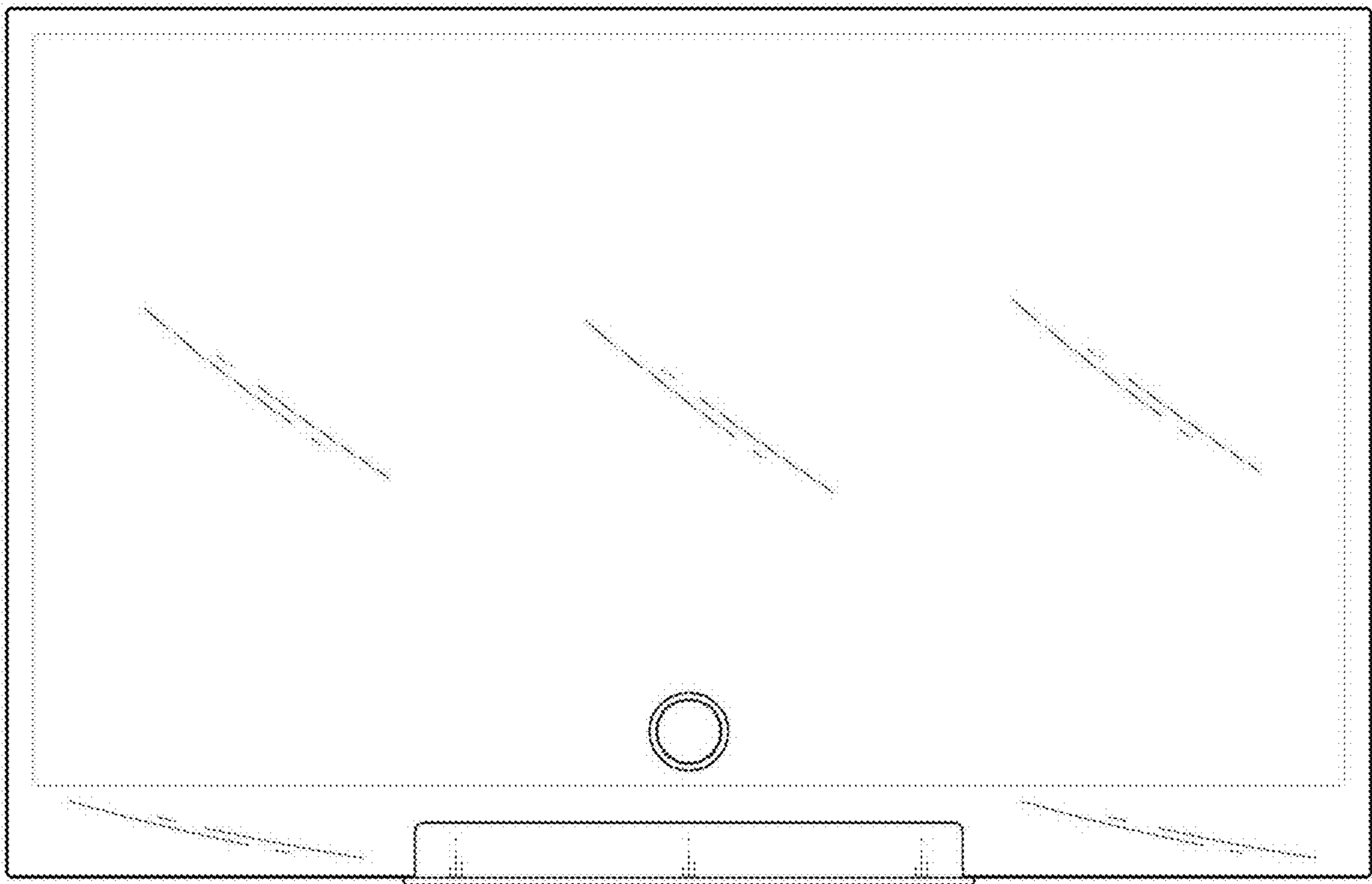
1.1



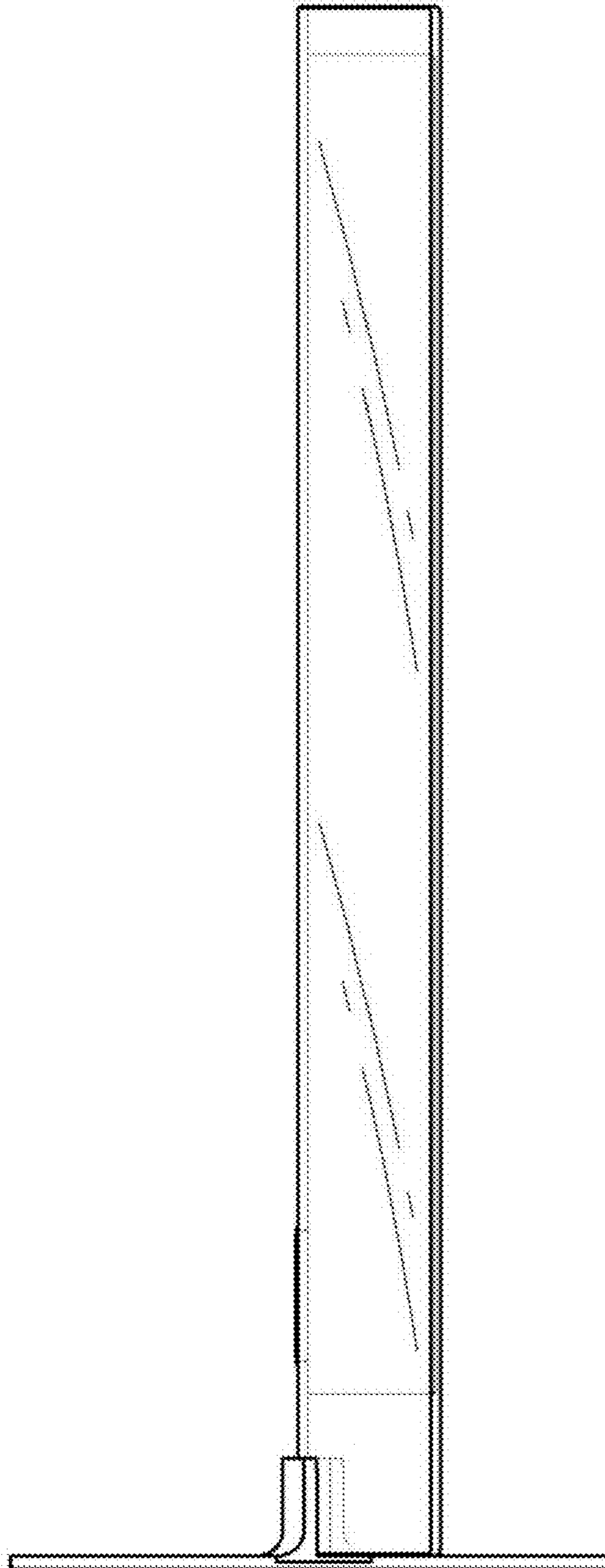
1.2



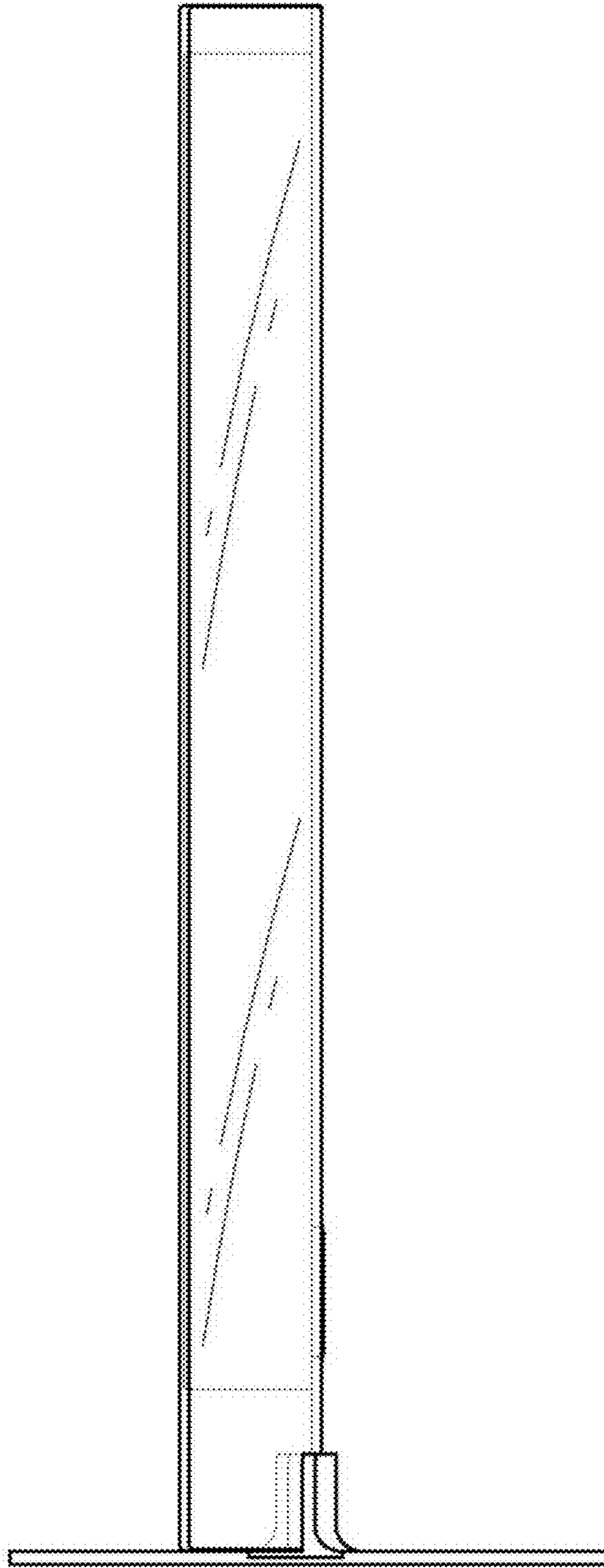
1.3



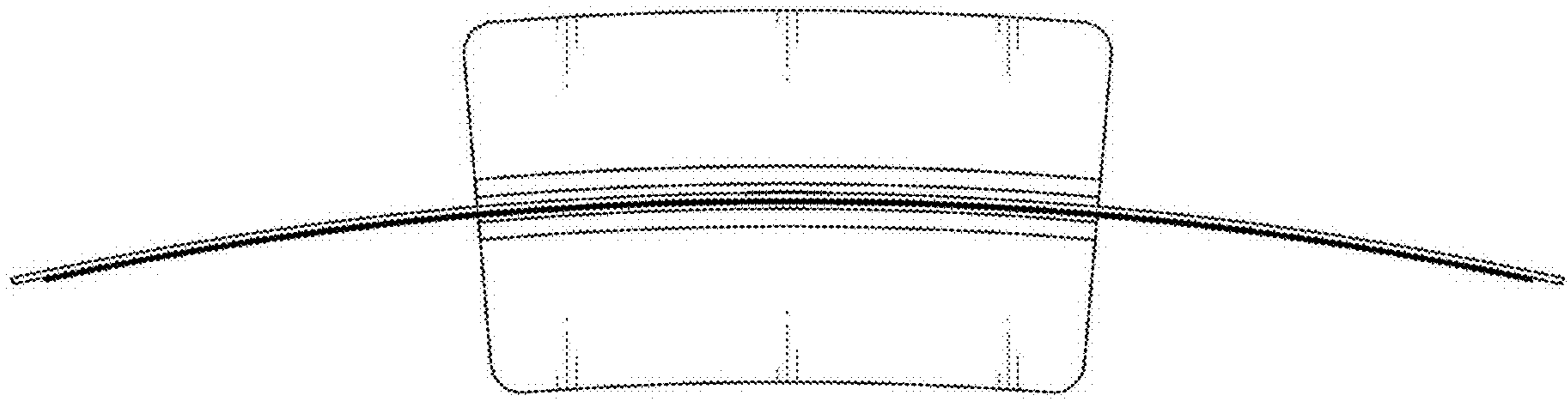
1.4



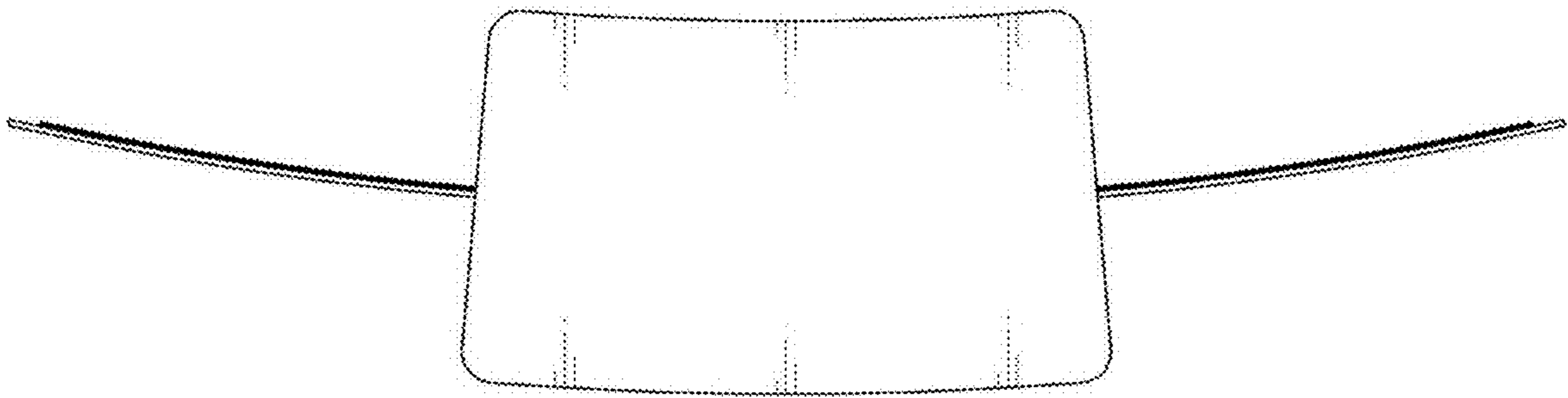
1.5



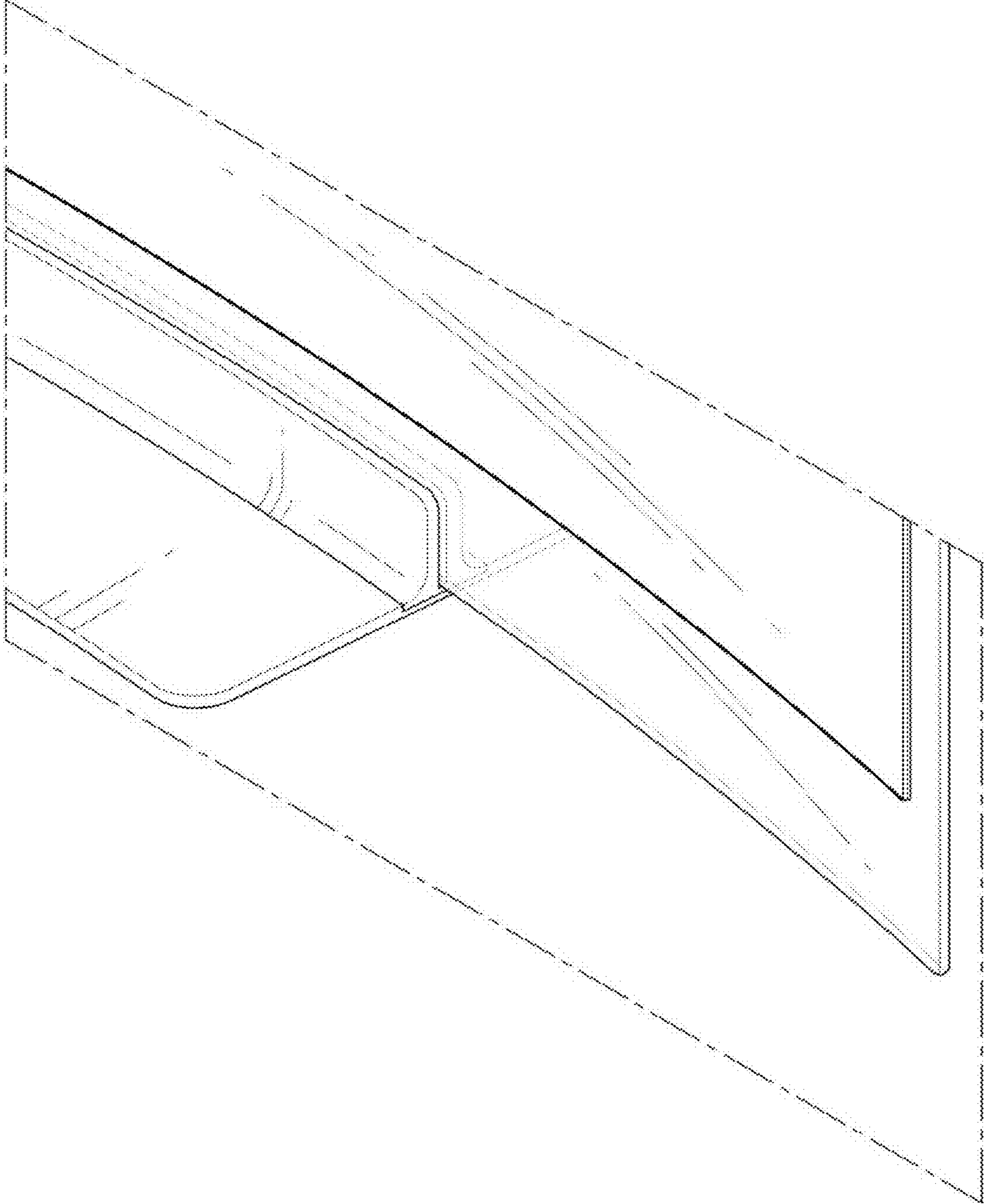
1.6



1.7



1.8



1.9

