



US00D835056S

(12) **United States Design Patent** (10) **Patent No.:** **US D835,056 S**  
**Won et al.** (45) **Date of Patent:** **\*\* \*Dec. 4, 2018**

(54) **TV RECEIVER**

(56) **References Cited**

(71) Applicant: **LG ELECTRONICS INC.**, Seoul (KR)  
(72) Inventors: **Hyojin Won**, Seoul (KR); **Hyeyoung Hong**, Seoul (KR); **Yongho Lee**, Seoul (KR); **Youngkyoung Kim**, Seoul (KR)  
(73) Assignee: **LG ELECTRONICS INC.**, Seoul (KR)

U.S. PATENT DOCUMENTS

|              |         |        |       |         |
|--------------|---------|--------|-------|---------|
| D346,965 S * | 5/1994  | Wolff  | ..... | D10/1   |
| D460,056 S * | 7/2002  | Niitsu | ..... | D14/126 |
| D463,409 S * | 9/2002  | Niitsu | ..... | D14/239 |
| D536,314 S * | 2/2007  | Chen   | ..... | D14/128 |
| D539,767 S * | 4/2007  | Kang   | ..... | D14/126 |
| D563,341 S * | 3/2008  | Takami | ..... | D14/129 |
| D563,342 S * | 3/2008  | Takami | ..... | D14/129 |
| D564,463 S * | 3/2008  | Chen   | ..... | D14/126 |
| D605,193 S * | 12/2009 | Andre  | ..... | D14/336 |
| D623,619 S * | 9/2010  | Roed   | ..... | D14/126 |

(\*) Notice: This patent is subject to a terminal disclaimer.

(Continued)

(\*\*) Term: **15 Years**

OTHER PUBLICATIONS

(21) Appl. No.: **35/503,217**

Hontoria, Noelia, 3 advantages of OLED TVs, posted at giztele, posting date Dec. 7, 2015. [online] [site visited Apr. 15, 2018]. Available from Internet. <URL: <https://www.giztele.com/3-ventajas-de-los-televisores-oled/>> (Year: 2015).\*

(22) Filed: **Dec. 23, 2016**

(Continued)

(80) **Hague Agreement Data**

Int. Filing Date: **Dec. 23, 2016**  
Int. Reg. No.: **DM/094269**  
Int. Reg. Date: **Dec. 23, 2016**  
Int. Reg. Pub. Date: **Jun. 23, 2017**

*Primary Examiner* — George D. Kirschbaum  
*Assistant Examiner* — Kathleen L Jones  
(74) *Attorney, Agent, or Firm* — Birch, Stewart, Kolasch & Birch, LLP

(57) **CLAIM**

The ornamental design for a TV receiver, as shown and described.

(30) **Foreign Application Priority Data**

Jun. 28, 2016 (KR) ..... 30-2016-0031478

(51) **LOC (11) Cl.** ..... **14-03**

(52) **U.S. Cl.**  
USPC ..... **D14/126**

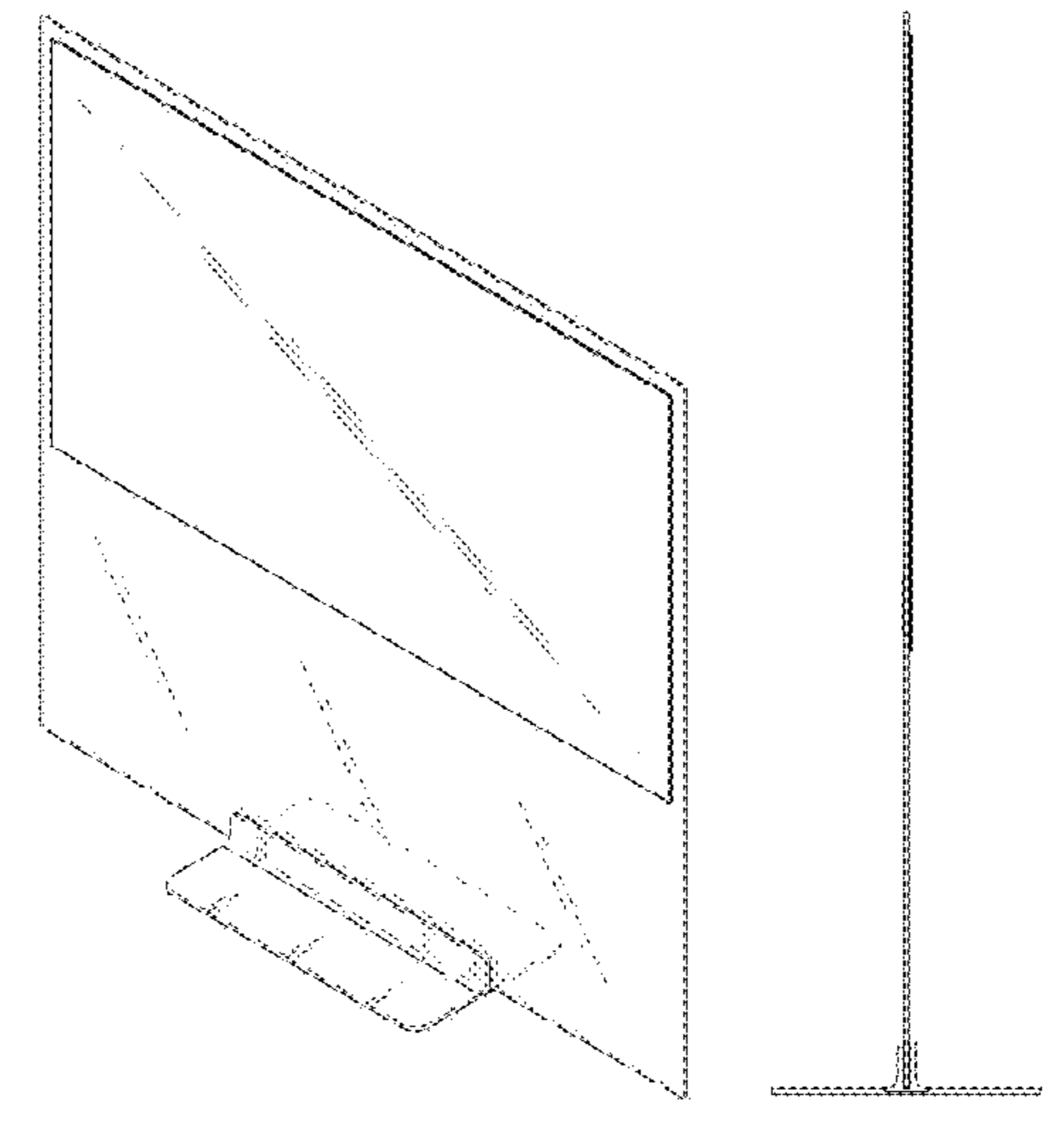
(58) **Field of Classification Search**  
USPC ..... D14/125-134, 239, 336, 371, 373-377, D14/379-380, 382, 447, 448, 450, 451, D14/452; D21/329, 332, 515; D10/26  
CPC ..... G06F 1/16; G06F 1/1601; G06F 1/1637; H04N 5/64; H05K 5/0017; H05K 5/0204; H05K 5/0217

See application file for complete search history.

**DESCRIPTION**

- 1. TV receiver
- 1.1 : Perspective
- 1.2 : Front
- 1.3 : Back
- 1.4 : Left
- 1.5 : Right
- 1.6 : Top
- 1.7 : Bottom
- 1.8 : Enlarged
- 1.9 : Enlarged

**1 Claim, 9 Drawing Sheets**



(56)

References Cited

U.S. PATENT DOCUMENTS

|              |    |   |         |            |       |                       |
|--------------|----|---|---------|------------|-------|-----------------------|
| D651,185     | S  | * | 12/2011 | Andresen   | ..... | D14/126               |
| D652,397     | S  | * | 1/2012  | Lewis      | ..... | D14/126               |
| D658,615     | S  | * | 5/2012  | Chiu       | ..... | D14/126               |
| D661,124     | S  | * | 6/2012  | Curbun     | ..... | D20/10                |
| D682,799     | S  | * | 5/2013  | Hwang Bo   | ..... | D14/126               |
| D717,753     | S  | * | 11/2014 | Totsuka    | ..... | D14/126               |
| D719,117     | S  | * | 12/2014 | Huh        | ..... | D14/126               |
| D719,120     | S  | * | 12/2014 | Park       | ..... | D14/126               |
| D724,041     | S  | * | 3/2015  | Li         | ..... | D14/126               |
| D736,169     | S  | * | 8/2015  | Kim        | ..... | D14/126               |
| D754,122     | S  | * | 4/2016  | Oakley     | ..... | D14/336               |
| D759,611     | S  | * | 6/2016  | Kim        | ..... | D14/126               |
| D761,220     | S  | * | 7/2016  | Kim        | ..... | D14/126               |
| D761,221     | S  | * | 7/2016  | Kim        | ..... | D14/126               |
| D761,747     | S  | * | 7/2016  | Kim        | ..... | D14/126               |
| D808,668     | S  | * | 1/2018  | Tsuchiyama | ..... | D6/332                |
| D824,355     | S  | * | 7/2018  | Kim        | ..... | D14/126               |
| 2014/0293140 | A1 | * | 10/2014 | Tsuzuki    | ..... | H04N 5/655<br>348/836 |

OTHER PUBLICATIONS

LGIndia, Clear images without any blur!, posted at Twitter, posting date Dec. 5, 2015. [online] [site visited Apr. 15, 2018]. Available

from Internet. <URL: <https://twitter.com/lgindia/status/673358905620209665>> (Year: 2015).\*

Hummelrose, Jens, LG's 2018 OLED TV comes with HFR, posted at recordere, posting date Jan. 3, 2018. [online] [site visited Apr. 15, 2018]. Available from Internet. <URL: <http://www.recordere.dk/2018/01/lgs-2018-oled-tv-kommer-hfr-hurtigere-chipset/>> (Year: 2018).\*

Acrylic Sign Holder with Magnets, posted at Displays2Go, review date May 15, 2017. [online] [site visited Apr. 13, 2018]. Available from Internet. <URL: <https://www.displays2go.com/P-21732/Stand-Up-Picture-Frame-Closes-with-Magnets>> (Year: 2017).\*

TV Stand vs Wall Unit, posted at Medium, posting date Nov. 28, 2016. [online] [site visited Apr. 13, 2018]. Available from Internet. <URL: <https://medium.com/@furniturenyc.net/tv-stand-vs-wall-unit-bcee02a90d6b>> (Year: 2016).\*

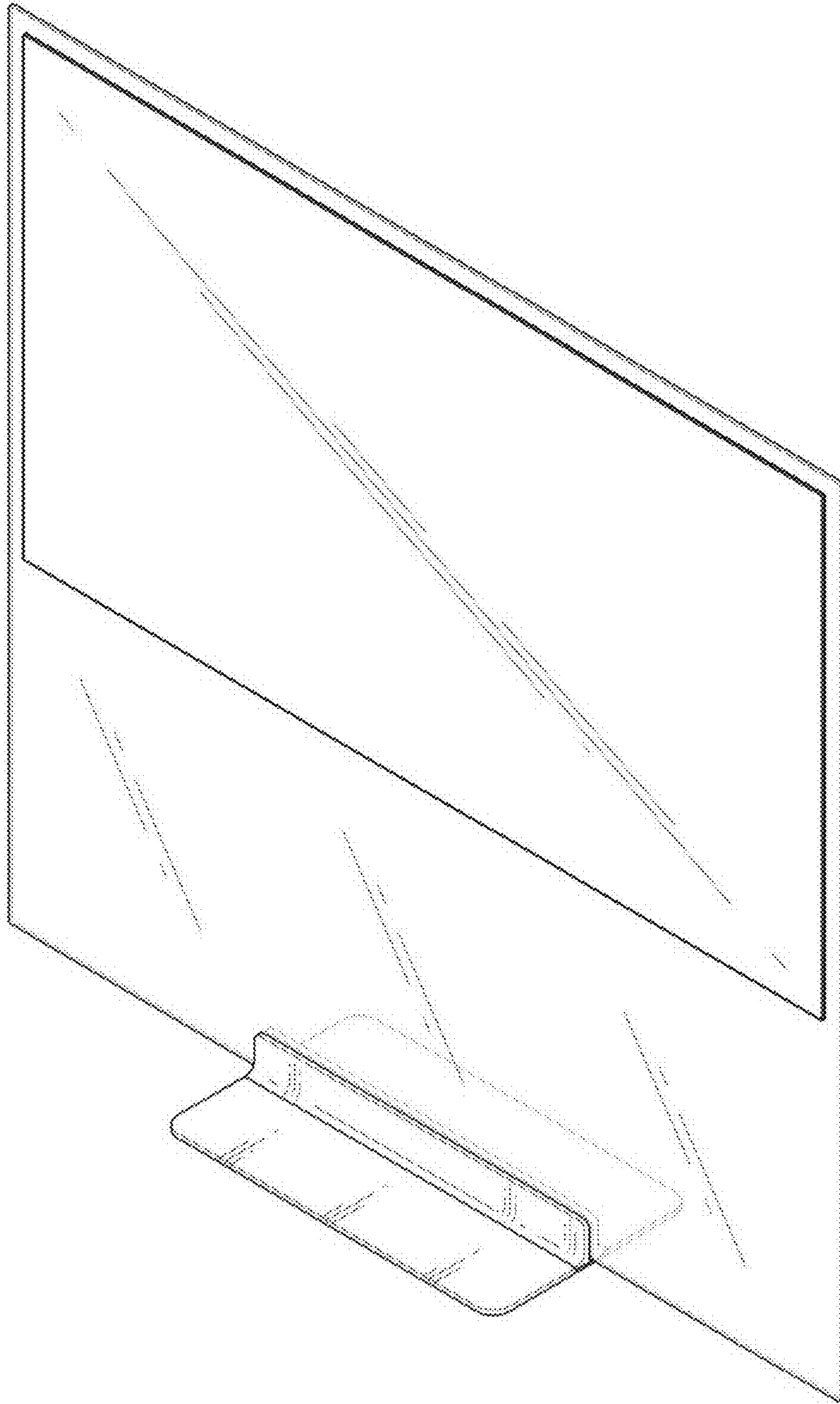
Cool Minimalist Glass TV Stand, posted at fesdecor, posting date not available. [online] [site visited Apr. 13, 2018]. Available from Internet. <URL: <http://fesdecor.com/cool-tv-stands-designs-ideas-that-inspire-for-unique-home-decoration/cool-minimalist-glass-tv-stand-with-shelf/>>.\*

Jacobi, Jon, OLED vs LED, posted at TechHive, posting date Jan. 25, 2016. [online] [site visited Apr. 13, 2018]. Available from Internet. <URL: <https://www.techhive.com/article/3018446/smart-tv/oled-vs-led-theres-just-no-comparison.html>> (Year: 2016).\*

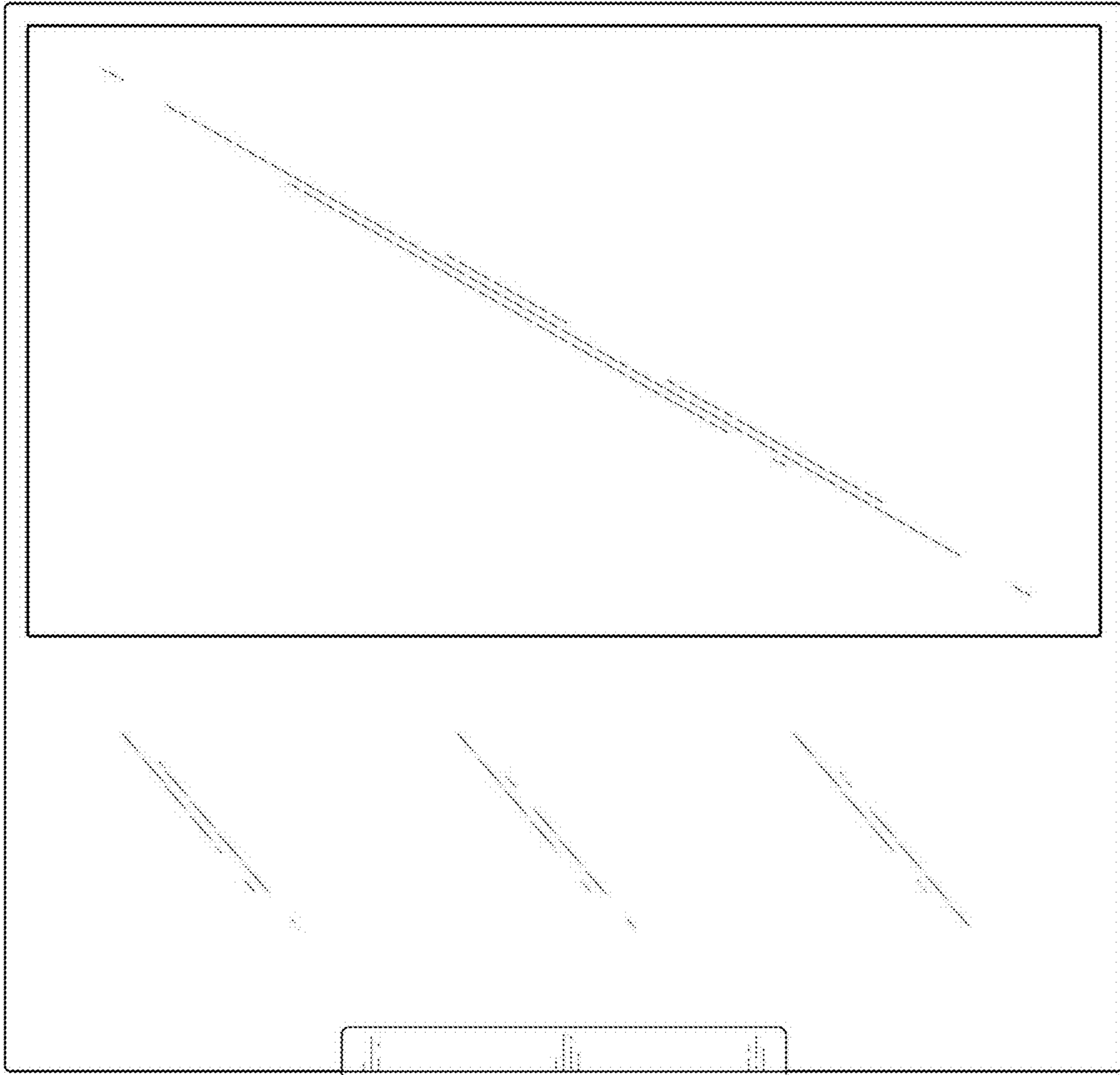
Denison, Caleb, LG OLED55B6P 4K HDR OLED TV Review, posted at Digital Trends, posting date Nov. 29, 2016. [online] [site visited Apr. 13, 2018]. Available from Internet. <URL: <https://www.digitaltrends.com/tv-reviews/lg-oled55b6p-review/>> (Year: 2016).\*

\* cited by examiner

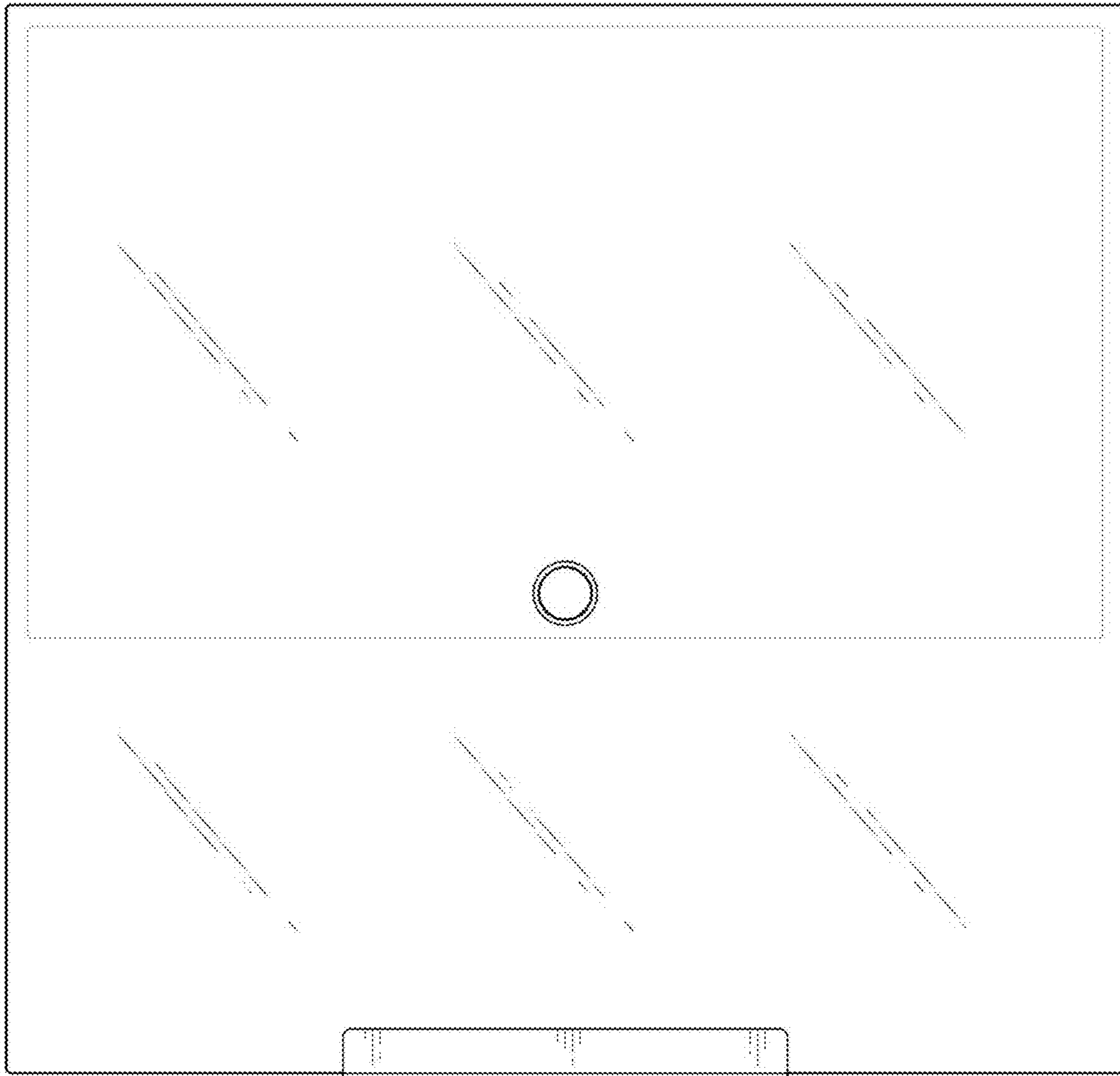
1.1



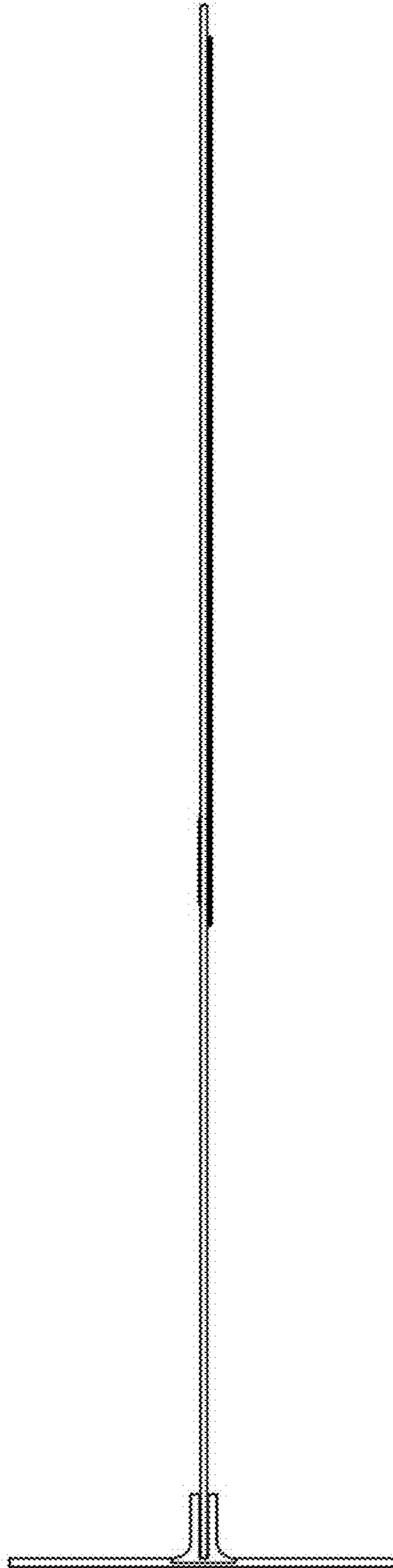
1.2



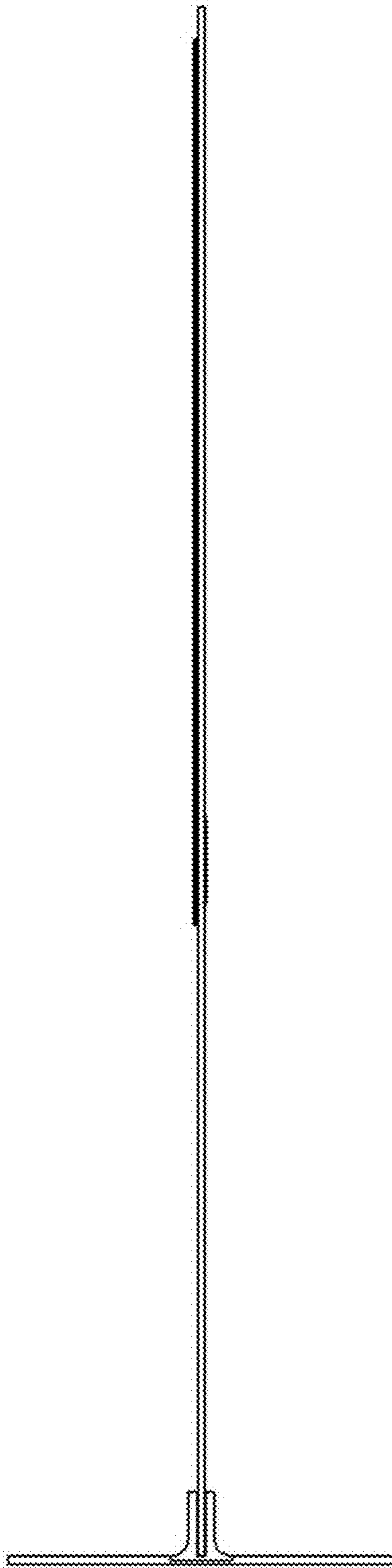
1.3



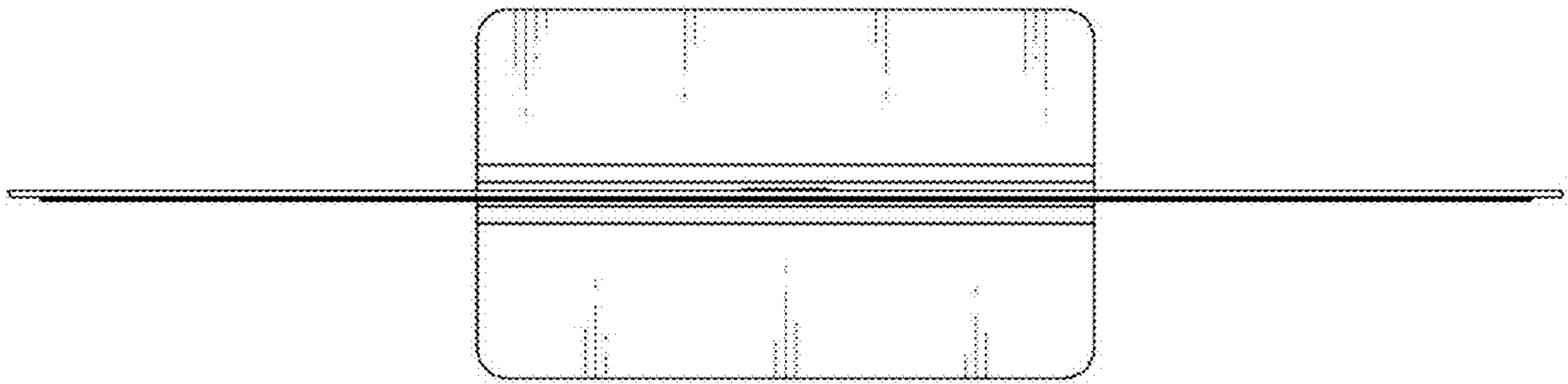
1.4



1.5

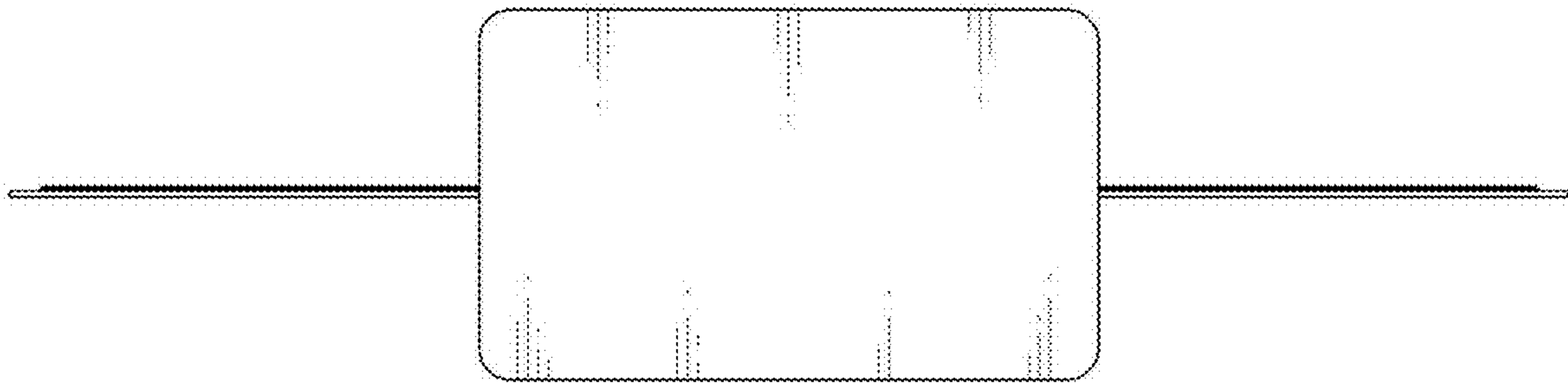


1.6

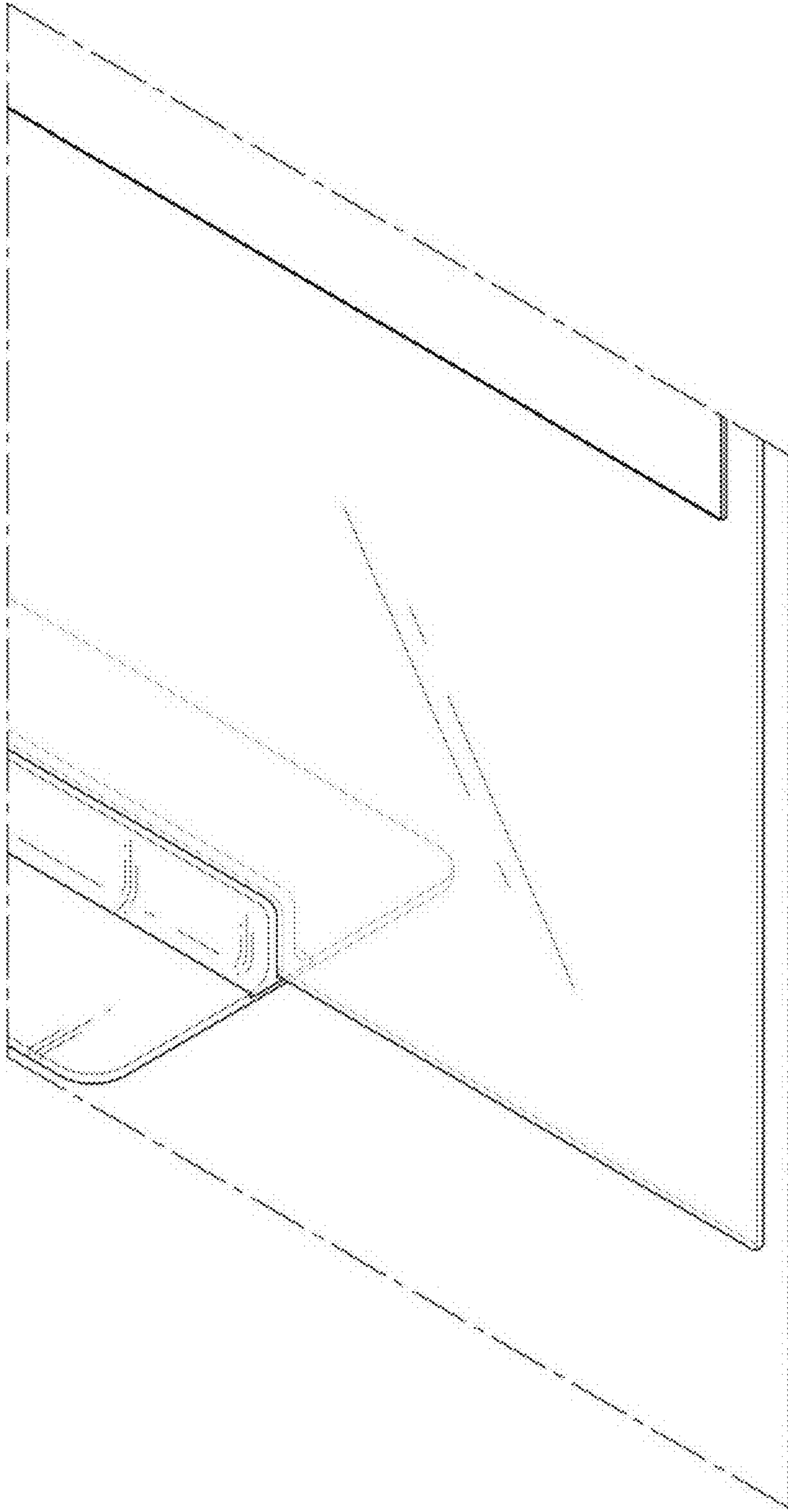




1.7



1.8



1.9

