



US00D835055S

(12) **United States Design Patent**
Kim et al.

(10) **Patent No.:** **US D835,055 S**

(45) **Date of Patent:** **** Dec. 4, 2018**

(54) **AUDIO VISUAL BOX FOR TV RECIEVER**

(71) Applicant: **LG ELECTRONICS INC.**, Seoul (KR)

(72) Inventors: **Yooseok Kim**, Seoul (KR); **Sunha Park**, Seoul (KR); **Younsoo Kim**, Seoul (KR); **Byungmu Huh**, Seoul (KR)

(73) Assignee: **LG ELECTRONICS INC.**, Seoul (KR)

(**) Term: **15 Years**

(21) Appl. No.: **35/503,141**

(22) Filed: **Dec. 12, 2016**

(80) **Hague Agreement Data**

Int. Filing Date: **Dec. 12, 2016**

Int. Reg. No.: **DM/093941**

Int. Reg. Date: **Dec. 12, 2016**

Int. Reg. Pub. Date: **Jun. 16, 2017**

(30) **Foreign Application Priority Data**

Jun. 14, 2016 (KR) 30-2016-0028729

(51) **LOC (11) Cl.** **14-01**

(52) **U.S. Cl.**
USPC **D14/125**

(58) **Field of Classification Search**
USPC D14/125, 172, 194, 357-358, 496, 188,
D14/204, 221, 242, 432
CPC H05K 5/02; H05K 5/03; G06F 1/16
See application file for complete search history.

(56) **References Cited**

U.S. PATENT DOCUMENTS

D483,349 S * 12/2003 Murakami D14/215
D578,109 S * 10/2008 Han D14/215

D578,997 S * 10/2008 Takuma D14/172
D672,749 S * 12/2012 Onoue D14/214
D685,349 S * 7/2013 Ohno D14/221
D706,748 S * 6/2014 Hara D14/214
D714,763 S * 10/2014 Woo D14/209.1
D715,769 S * 10/2014 McManigal D14/214
D716,265 S * 10/2014 Park D14/215
D720,334 S * 12/2014 Wang D14/204
D720,723 S * 1/2015 Cho D14/215
D721,352 S * 1/2015 Kusano D14/204
D738,855 S * 9/2015 Park D14/213
D750,045 S * 2/2016 Wong D14/215
D759,624 S * 6/2016 Byrd D14/204
D759,629 S * 6/2016 Kusano D14/214
D760,685 S * 7/2016 Sugiura D14/204
D765,054 S * 8/2016 Bast D14/204
D788,062 S * 5/2017 Norrell D13/139.4

* cited by examiner

Primary Examiner — Michael A. Pratt

(74) *Attorney, Agent, or Firm* — Birch, Stewart, Kolasch & Birch, LLP

(57) **CLAIM**

The ornamental design for an audio visual box for TV receiver, as shown and described.

DESCRIPTION

1. Audio visual box for TV receiver

1.1 : Perspective

1.2 : Front

1.3 : Back

1.4 : Left

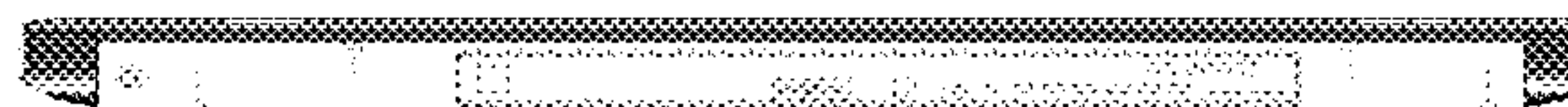
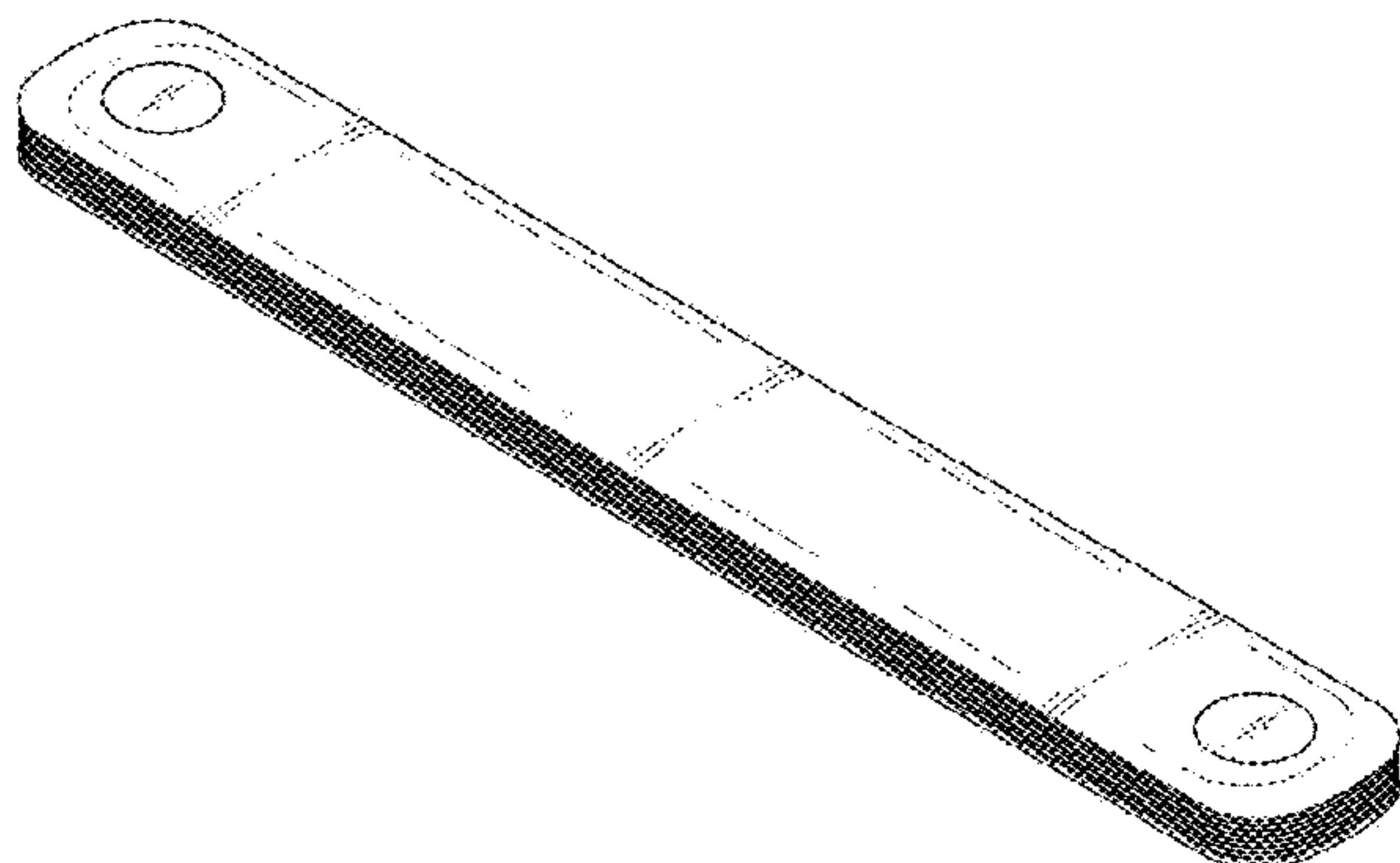
1.5 : Right

1.6 : Top

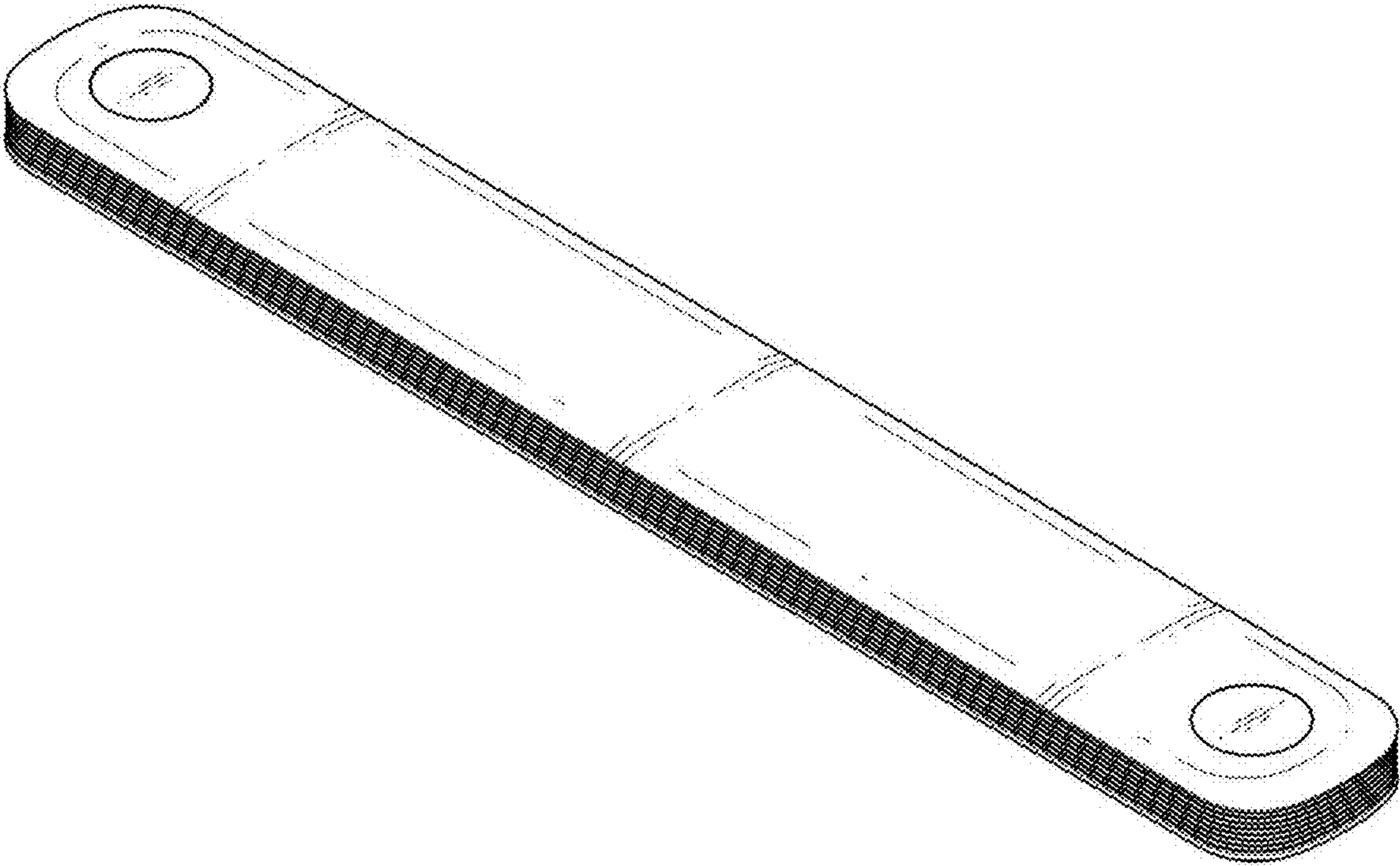
1.7 : Bottom

The broken lines shown in FIGS. 1.3 and 1.6 are for the purpose of illustrating portions of the audio visual box for TV receiver that form no part of the claimed design.

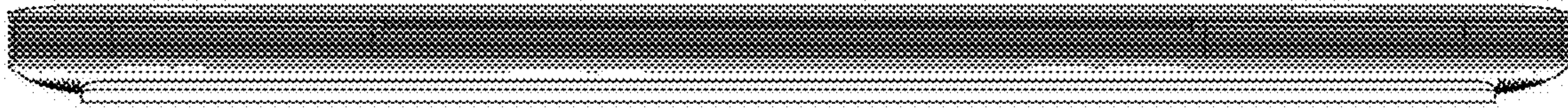
1 Claim, 7 Drawing Sheets



1.1



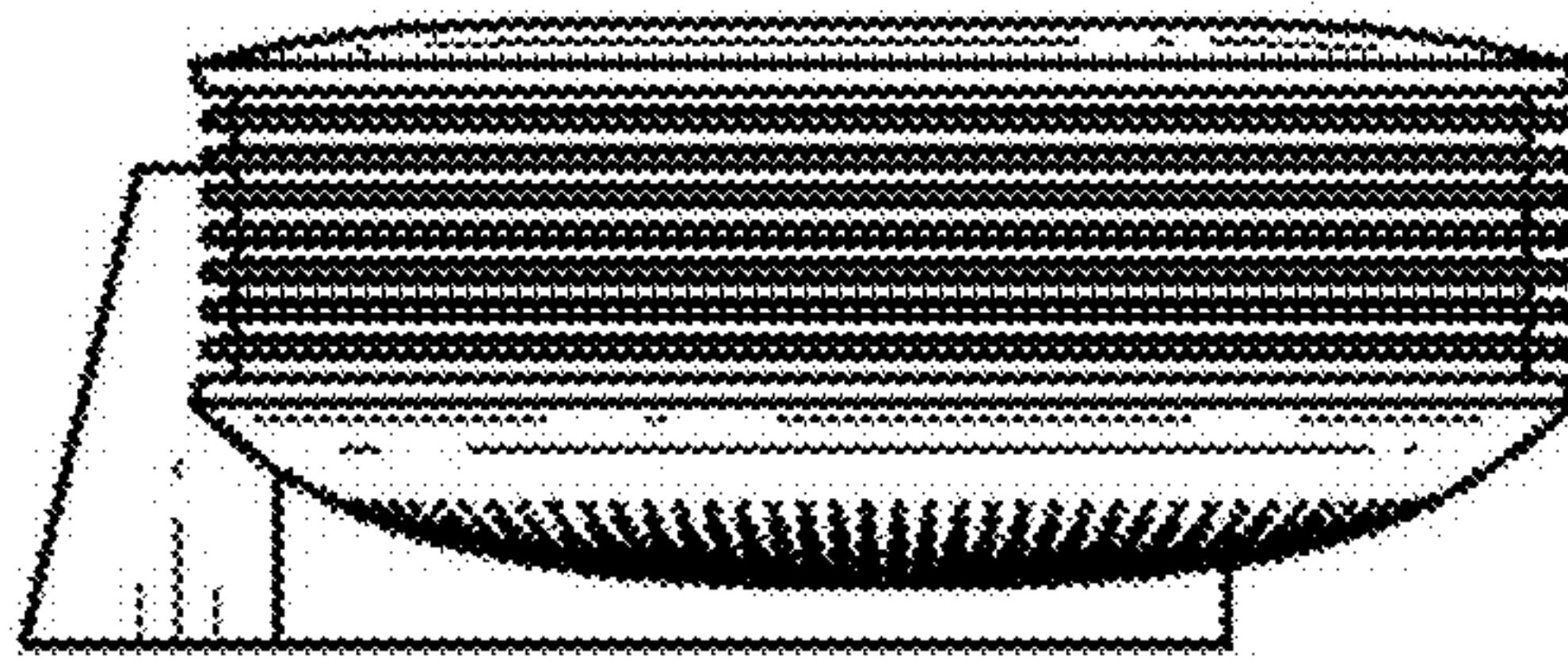
1.2



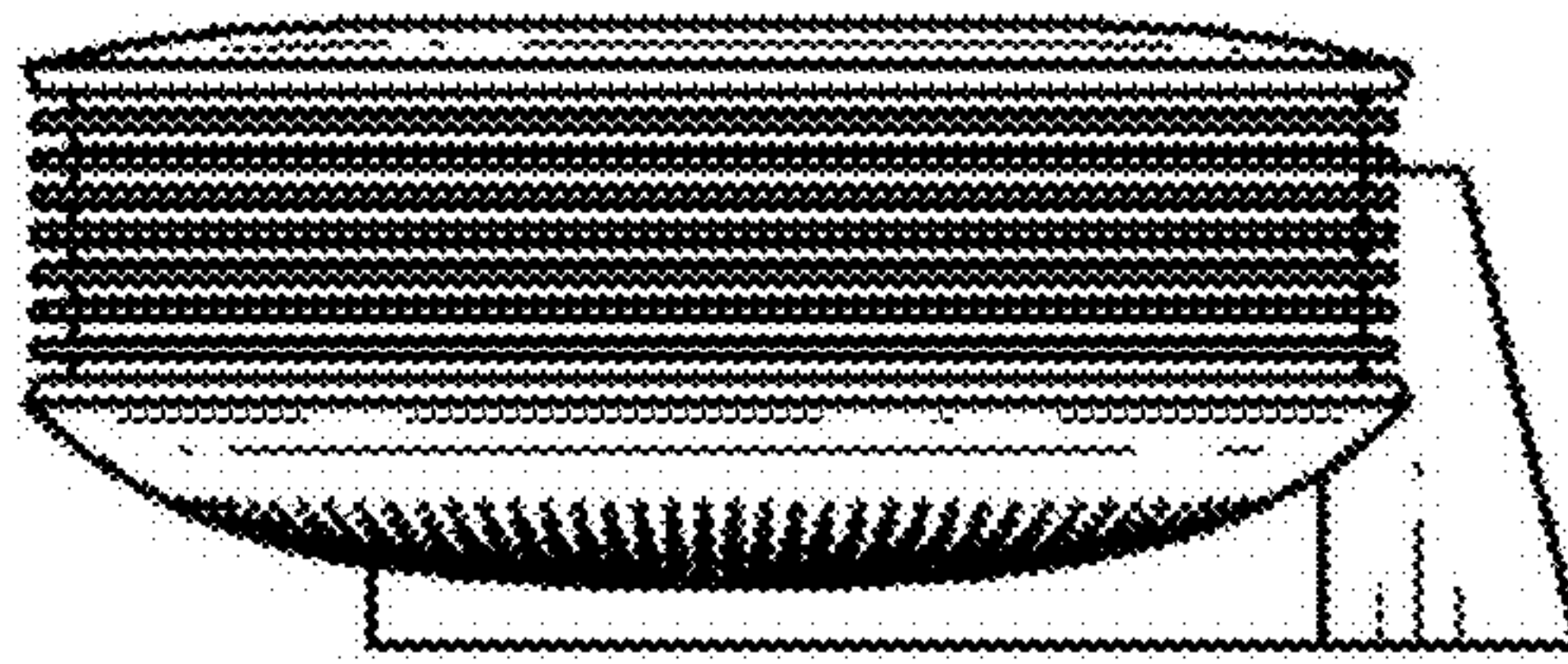
1.3



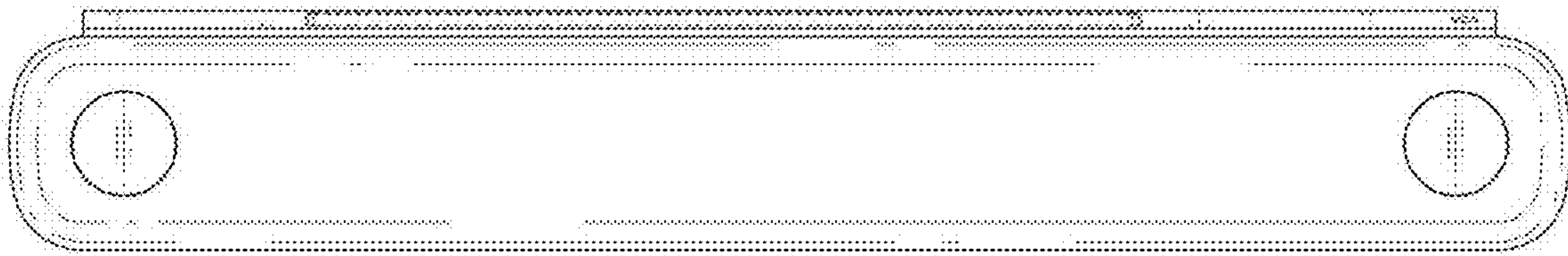
1.4



1.5



1.6



1.7

