



US00D835053S

(12) **United States Design Patent** (10) **Patent No.:** **US D835,053 S**
Jokiniemi et al. (45) **Date of Patent:** **** Dec. 4, 2018**

(54) **PANEL FOR TRANSFER SWITCH**

(71) Applicant: **ABB Oy**, Helsinki (FI)

(72) Inventors: **Timo Jokiniemi**, Merikaarto (FI);
Rainer Kolmonen, Laihia (FI); **Aki Suutarinen**, Vaasa (FI); **Patrik Rabb**,
Vähäkyrö (FI); **Anu-Riikka Mäki**,
Jukaja (FI); **Matti Rajala**, Vaasa (FI);
Juri Fredlund, Vaasa (FI)

(73) Assignee: **ABB Oy**, Helsinki (FI)

(**) Term: **15 Years**

(21) Appl. No.: **29/623,821**

(22) Filed: **Oct. 27, 2017**

(30) **Foreign Application Priority Data**

Apr. 28, 2017 (EP) 003877414

(51) **LOC (11) Cl.** **13-03**

(52) **U.S. Cl.**
USPC **D13/164**

(58) **Field of Classification Search**
USPC D13/110, 158, 162, 164
CPC G05B 19/409; G05B 2219/23406; H02M
7/003; H05K 5/00; H05K 5/0017; H05K
5/02; H05K 5/0217; H05K 5/03; H05K
7/1432

See application file for complete search history.

(56) **References Cited**

U.S. PATENT DOCUMENTS

5,666,268 A * 9/1997 Rix H05K 7/1432
361/115
D403,301 S * 12/1998 Lehmann D13/110
6,091,604 A * 7/2000 Plougsgaard H02M 7/003
165/185
D450,305 S * 11/2001 Masuzoe D13/168

D458,906 S * 6/2002 Kim D13/164
D512,026 S * 11/2005 Nurmi D13/162
D555,602 S * 11/2007 Park D13/162
D610,553 S * 2/2010 Makela D13/162
D675,564 S * 2/2013 Choi D13/110
8,683,327 B2 * 3/2014 Metso G06F 3/04886
715/255
D771,566 S * 11/2016 Saarivirta D13/110
D788,702 S * 6/2017 Jo D13/110
D792,848 S * 7/2017 Poikolainen D13/139.4
D801,939 S * 11/2017 Makela D13/162
2010/0079096 A1 * 4/2010 Braun G05B 19/042
318/494
2013/0073770 A1 * 3/2013 Woltring G05B 19/0423
710/303
2017/0077831 A1 * 3/2017 Yanagimoto H05K 7/1432
2017/0303444 A1 * 10/2017 Ono H01R 9/2416

* cited by examiner

Primary Examiner — Selina Sikder

(74) *Attorney, Agent, or Firm* — J. Bruce Schelkopf; Taft Stettinius & Hollister LLP

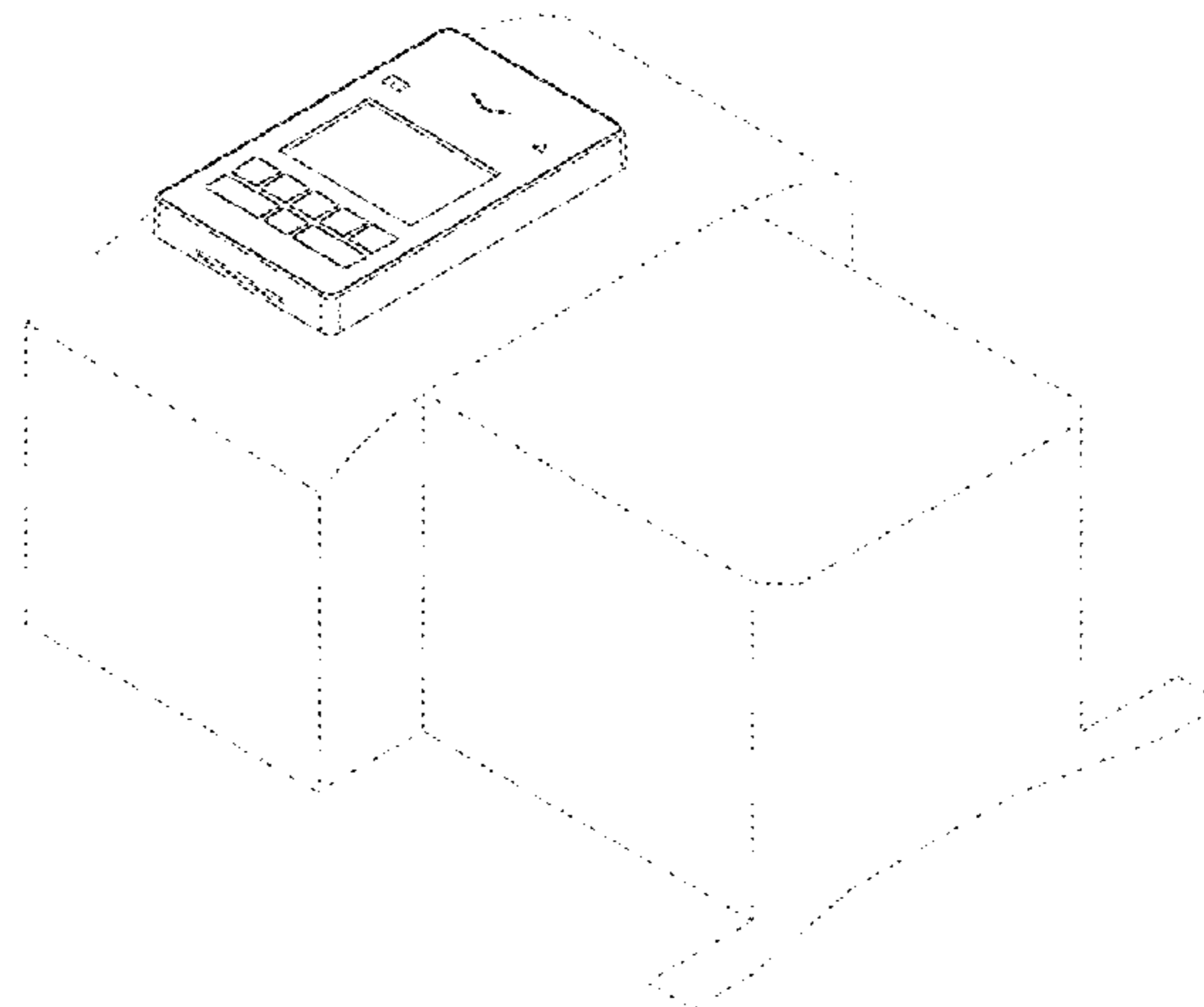
(57) **CLAIM**

The ornamental design for a panel for transfer switch, as shown and described.

DESCRIPTION

FIG. 1 is a perspective view of a panel for transfer switch according to an embodiment of our new design.
FIG. 2 is a front elevational view thereof.
FIG. 3 is a rear elevational view thereof.
FIG. 4 is a right side elevational view thereof.
FIG. 5 is a left side elevational view thereof.
FIG. 6 is a top plan view thereof; and,
FIG. 7 is a bottom plan view thereof.
The broken lines are included to show features that form no part of the claimed design.

1 Claim, 7 Drawing Sheets



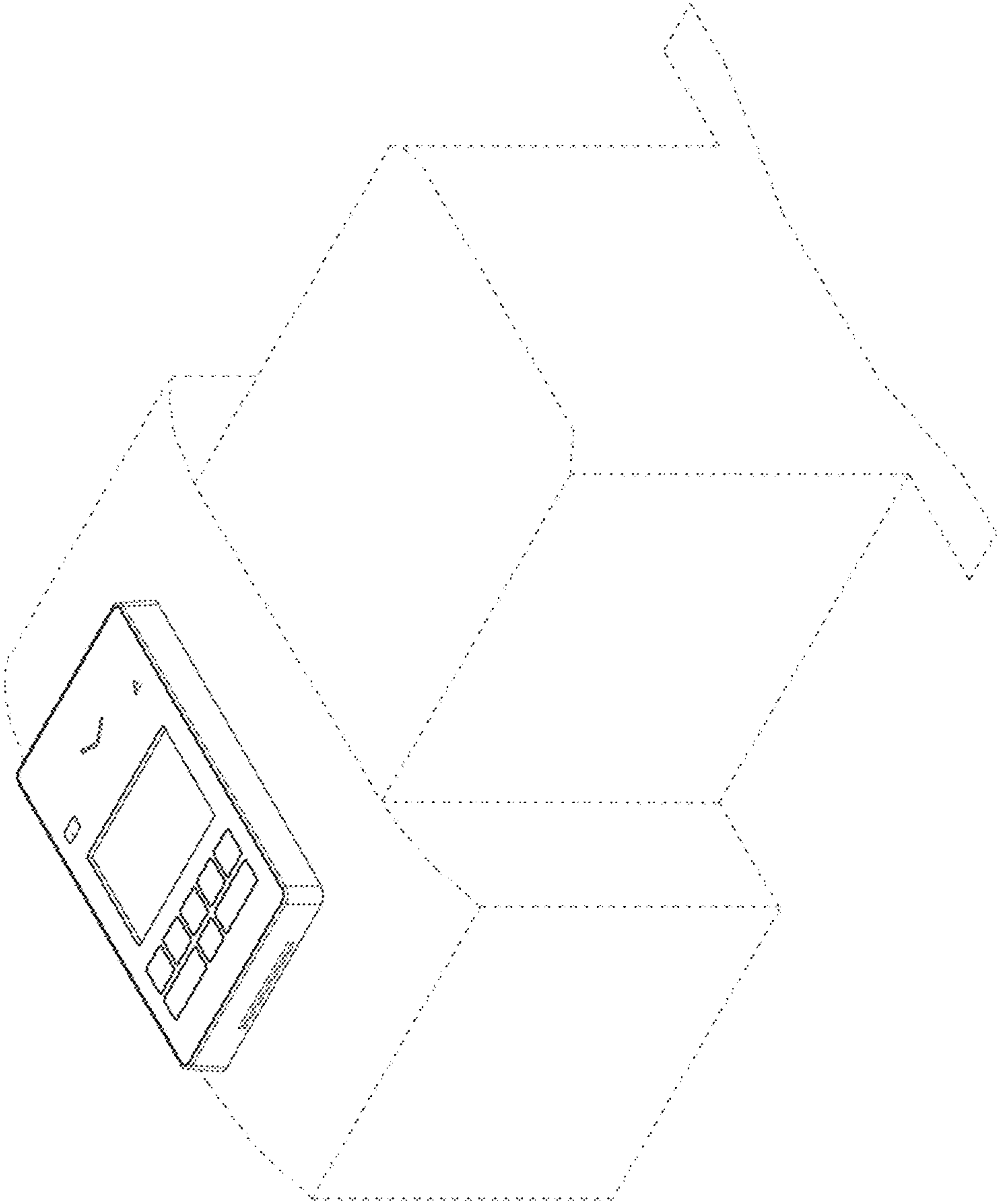


FIG. 1

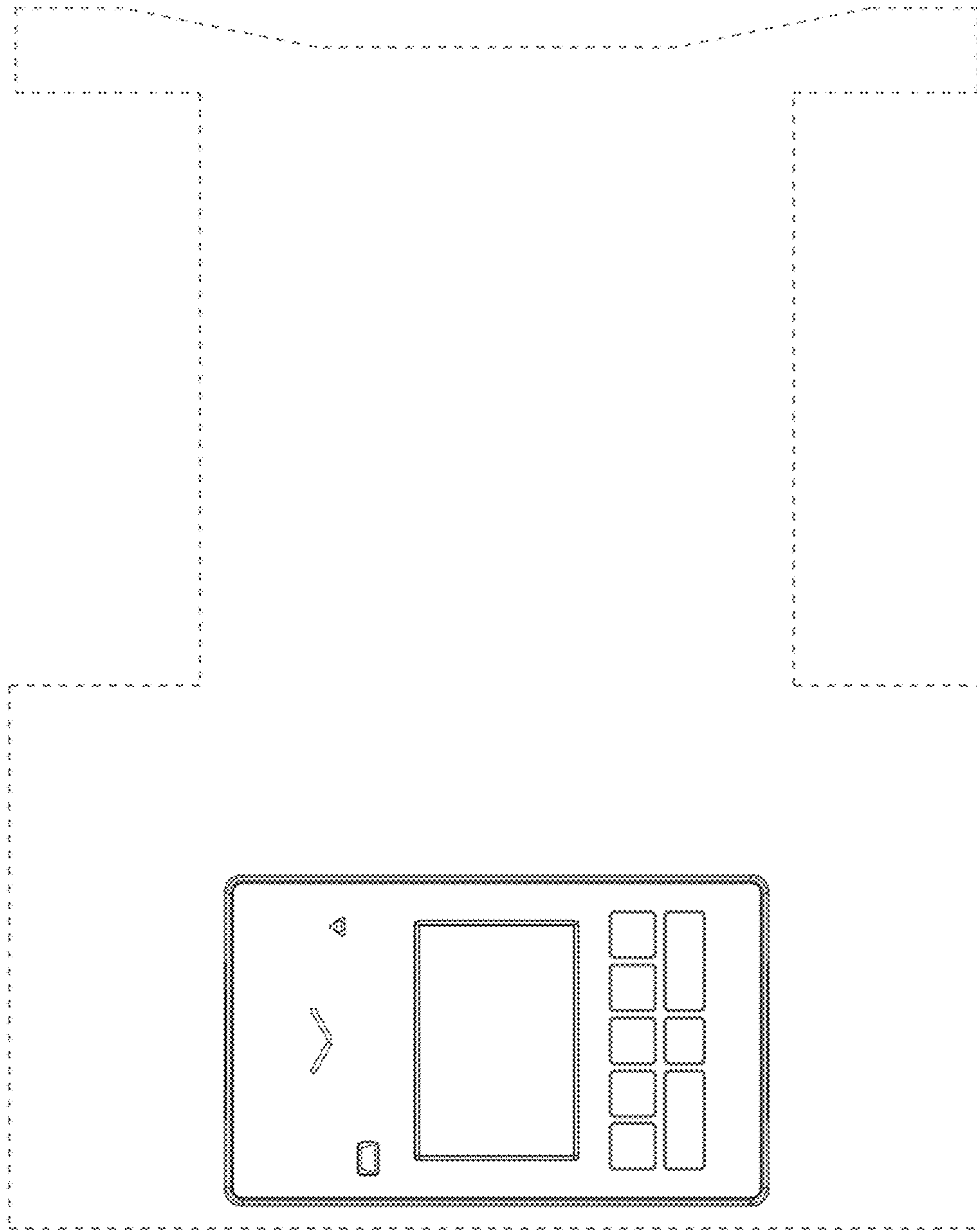


FIG. 2

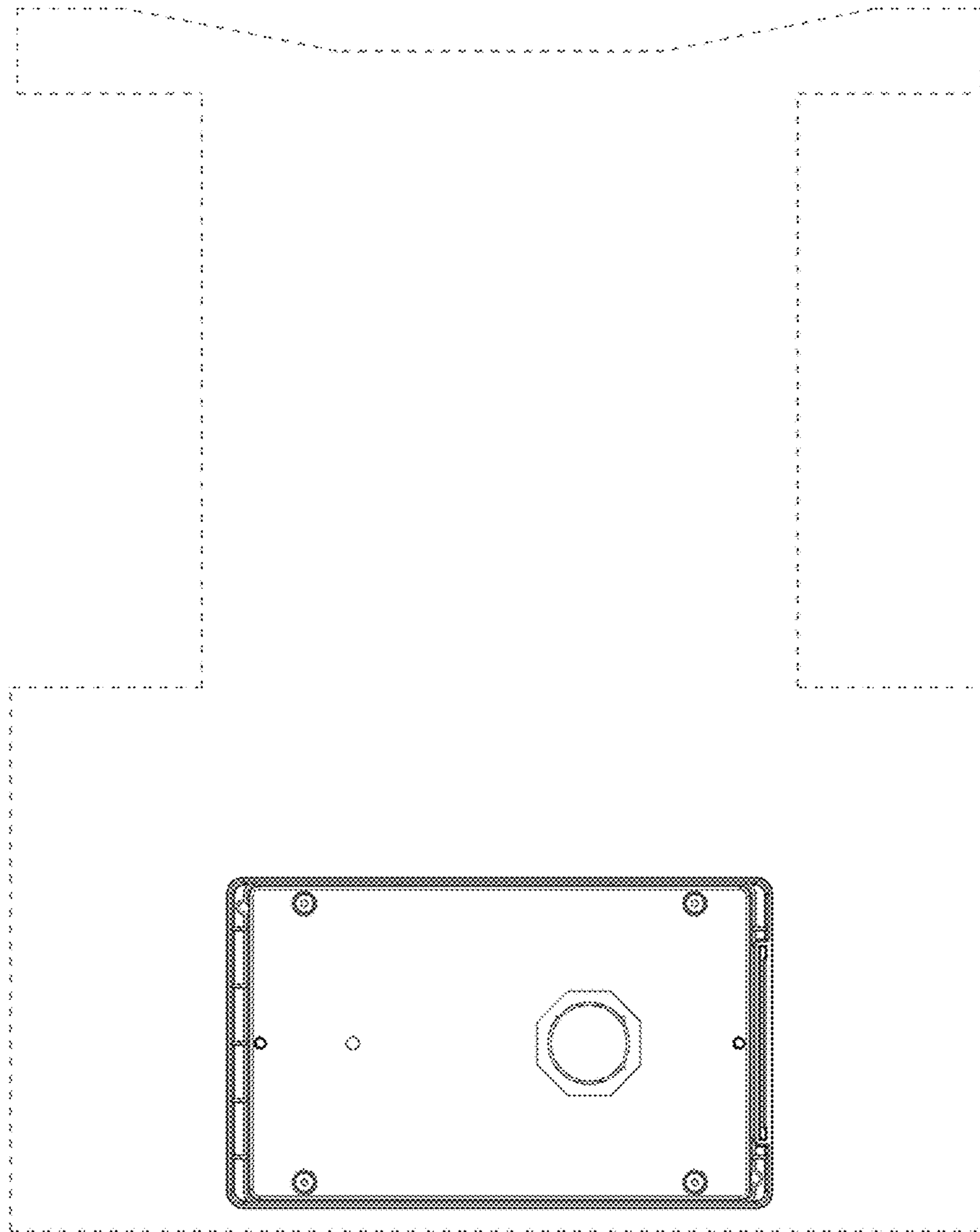


FIG. 3

FIG. 4

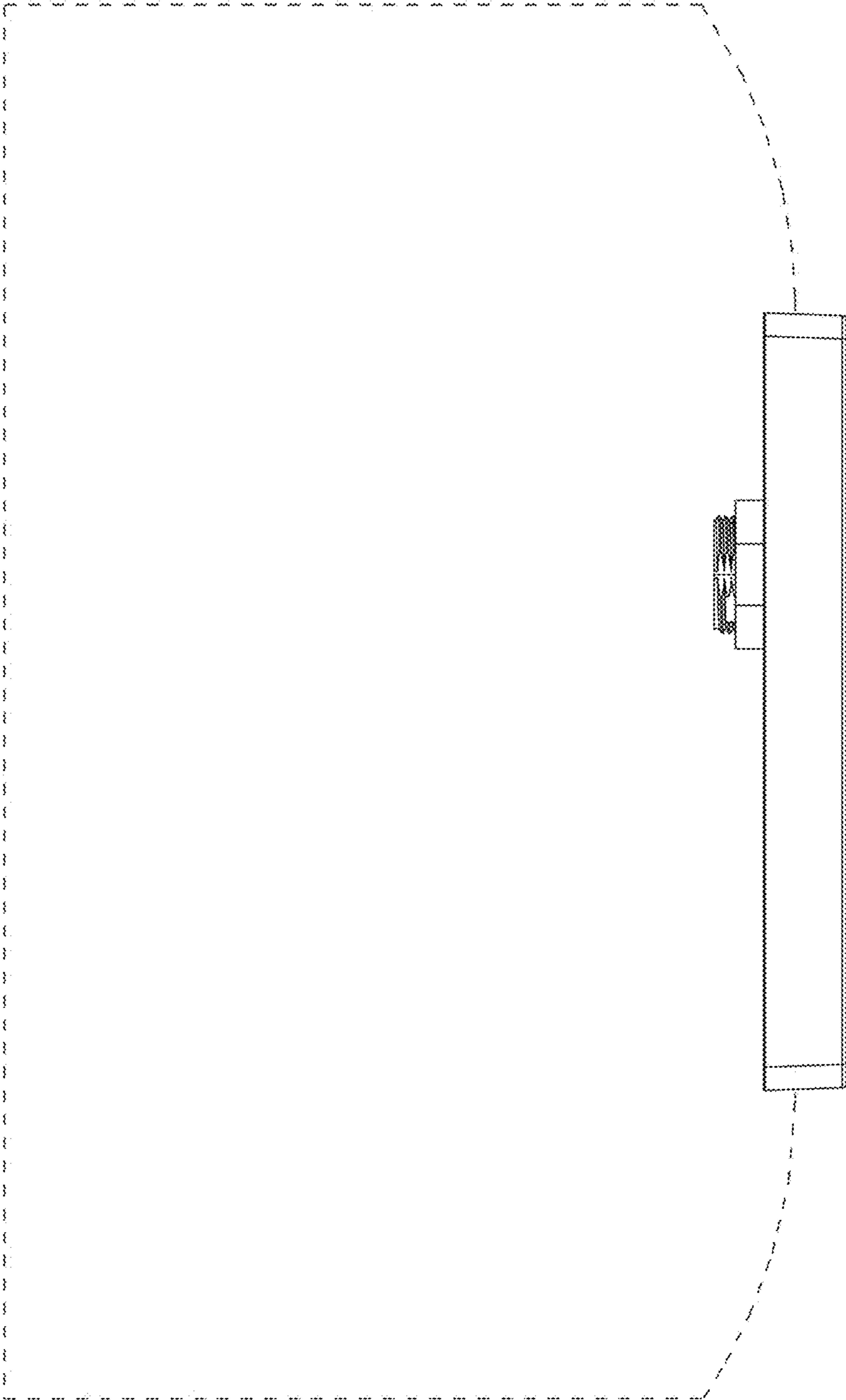


FIG. 5

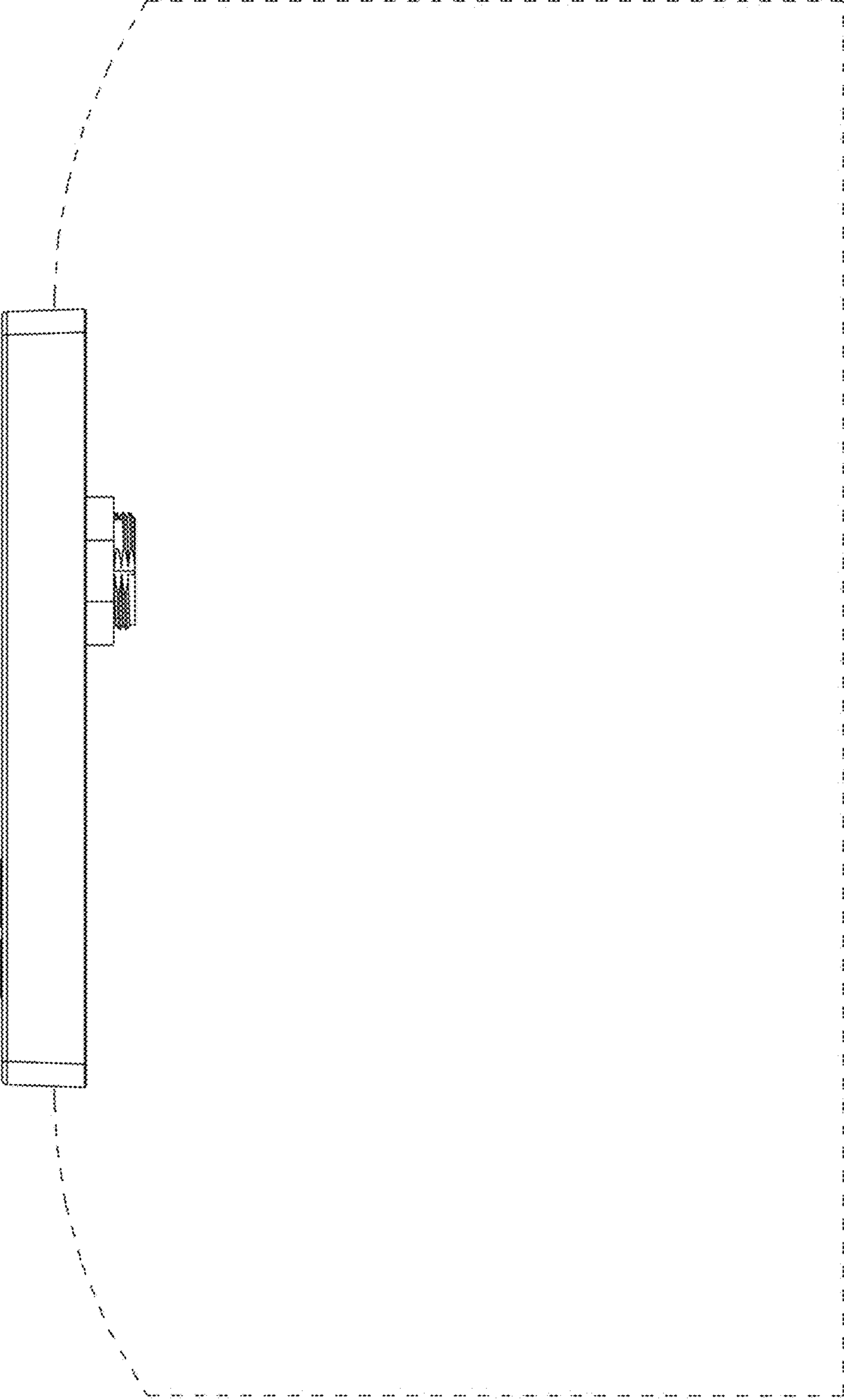


FIG. 6

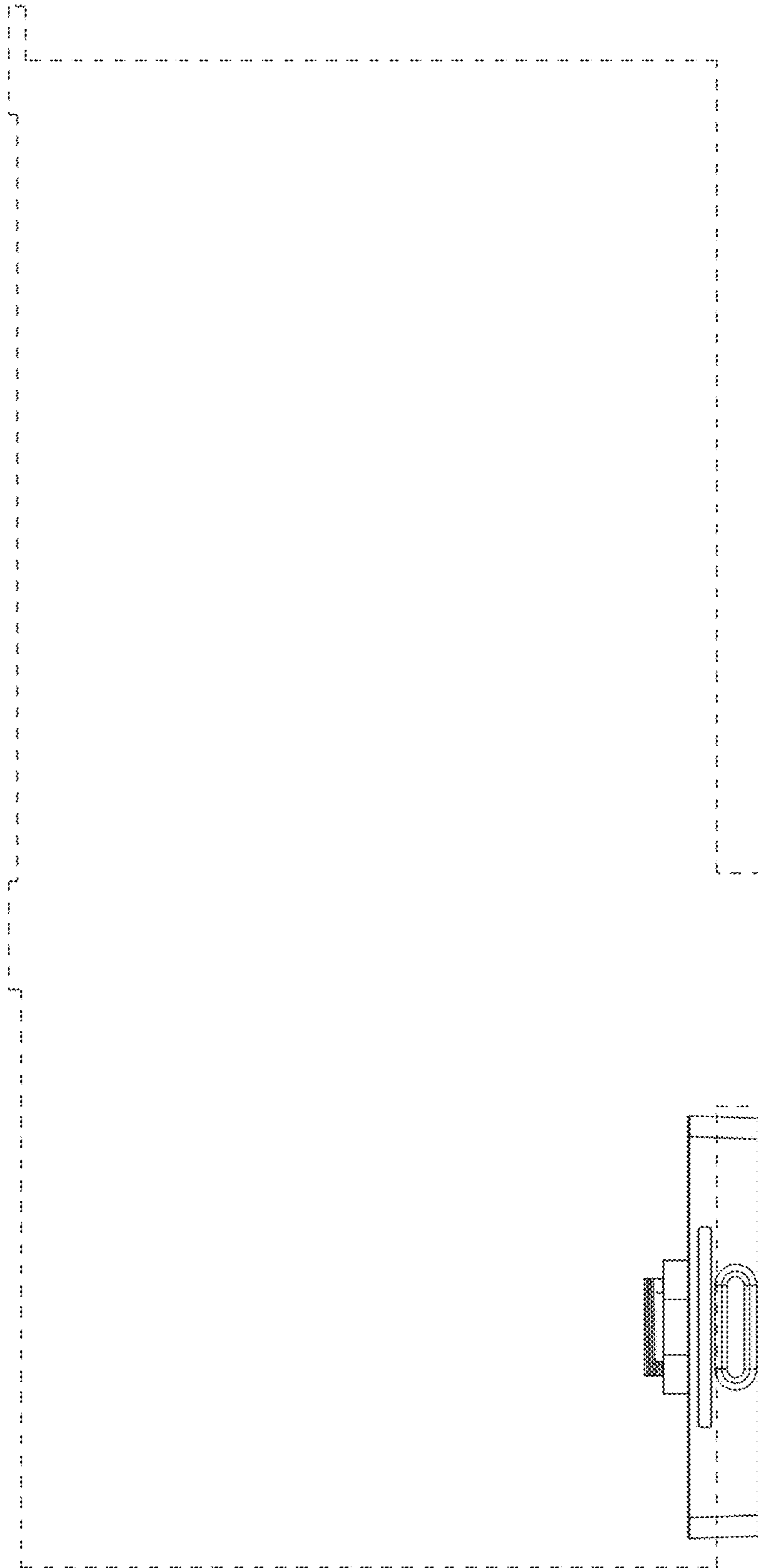
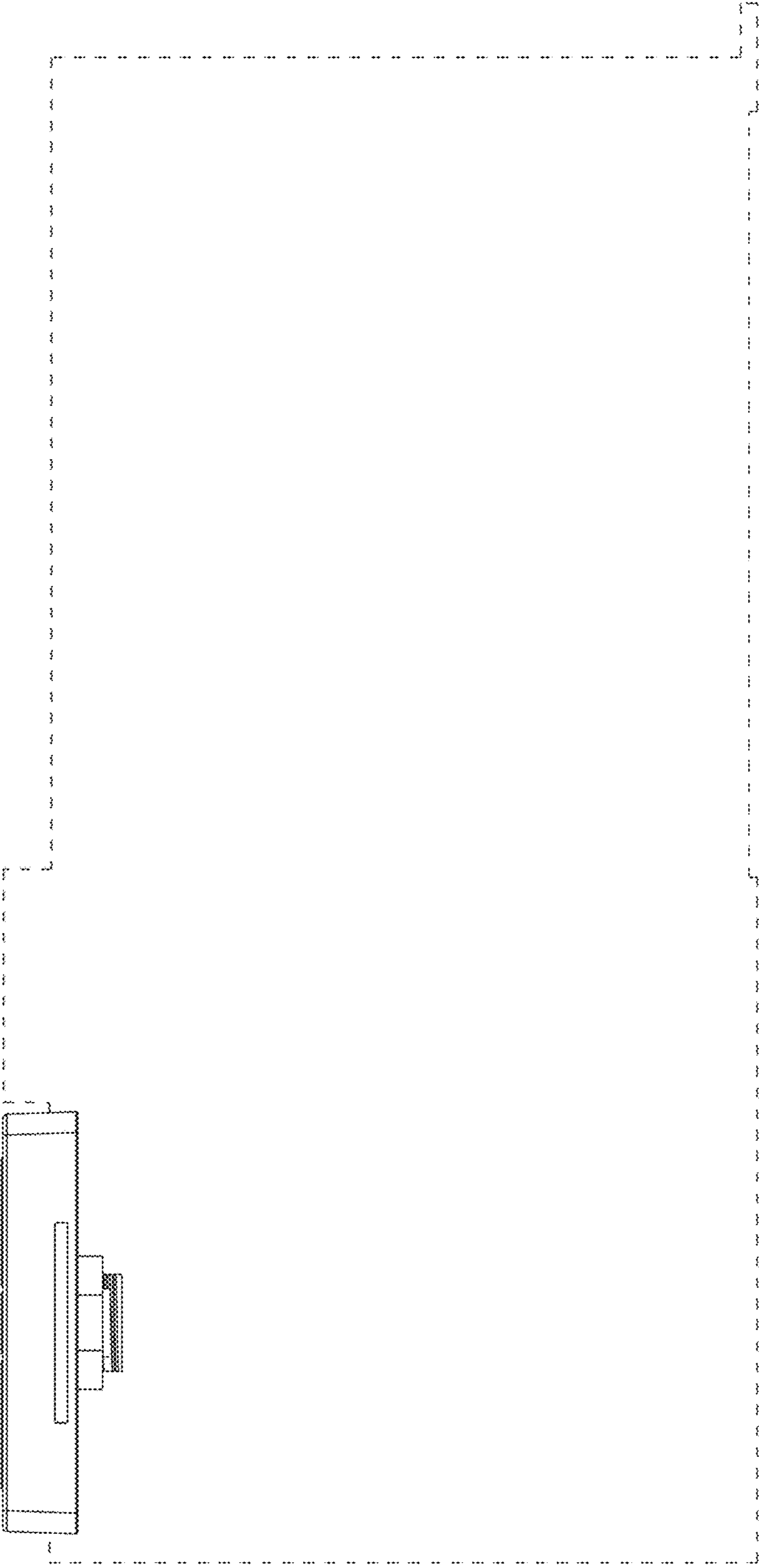


FIG. 7



UNITED STATES PATENT AND TRADEMARK OFFICE
CERTIFICATE OF CORRECTION

PATENT NO. : D835,053 S
APPLICATION NO. : 29/623821
DATED : December 4, 2018
INVENTOR(S) : Timo Jokiniemi et al.

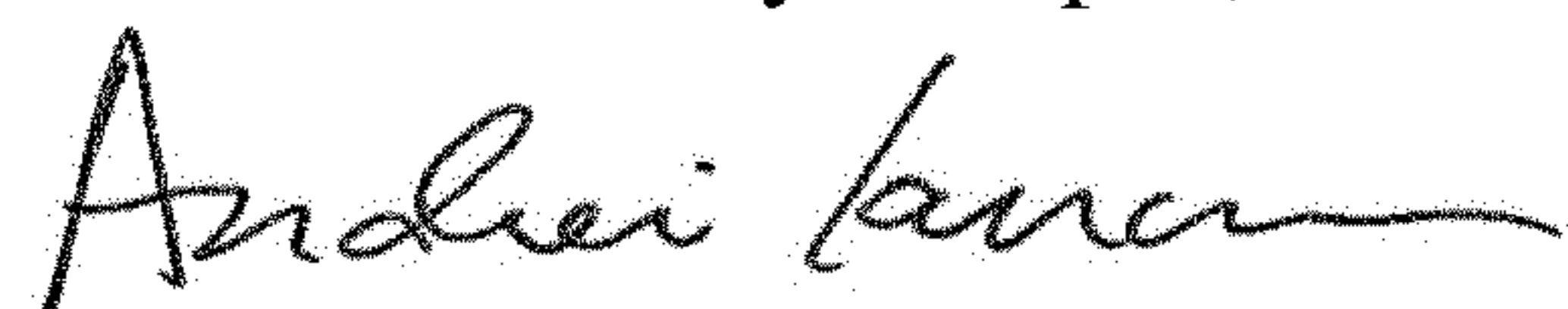
Page 1 of 1

It is certified that error appears in the above-identified patent and that said Letters Patent is hereby corrected as shown below:

On the Title Page

Item (30) The EP should be changed to EM.

Signed and Sealed this
Fourteenth Day of April, 2020



Andrei Iancu
Director of the United States Patent and Trademark Office