



US00D835052S

(12) **United States Design Patent**  
**Jokiniemi et al.**

(10) **Patent No.:** **US D835,052 S**

(45) **Date of Patent:** **\*\* Dec. 4, 2018**

(54) **PANEL FOR TRANSFER SWITCH**

(71) Applicant: **ABB Oy**, Helsinki (FI)

(72) Inventors: **Timo Jokiniemi**, Merikaarto (FI);  
**Rainer Kolmonen**, Laihia (FI); **Aki Suutarinen**, Vaasa (FI); **Patrik Rabb**,  
Vähäkylä (FI); **Anu-Riikka Mäki**,  
Jukaja (FI); **Matti Rajala**, Vaasa (FI);  
**Juri Fredlund**, Vaasa (FI)

(73) Assignee: **ABB Oy**, Helsinki (FI)

(\*\*) Term: **15 Years**

(21) Appl. No.: **29/623,811**

(22) Filed: **Oct. 27, 2017**

(30) **Foreign Application Priority Data**

Apr. 28, 2017 (EM) ..... 003877414

(51) **LOC (11) Cl.** ..... **13-03**

(52) **U.S. Cl.**  
USPC ..... **D13/164**

(58) **Field of Classification Search**  
USPC ..... D13/110, 158, 162, 164  
CPC ..... G05B 19/409; G05B 2219/23406; H02M  
7/003; H05K 5/00; H05K 5/0017; H05K  
5/02; H05K 5/0217; H05K 5/03; H05K  
7/1432

See application file for complete search history.

(56) **References Cited**

**U.S. PATENT DOCUMENTS**

5,666,268 A \* 9/1997 Rix ..... H05K 7/1432  
361/115  
D403,301 S \* 12/1998 Lehmann ..... D13/110  
6,091,604 A \* 7/2000 Plougsgaard ..... H02M 7/003  
165/185  
D450,305 S \* 11/2001 Masuzoe ..... D13/168

D458,906 S \* 6/2002 Kim ..... D13/164  
D512,026 S \* 11/2005 Nurmi ..... D13/162  
D555,602 S \* 11/2007 Park ..... D13/162  
D610,553 S \* 2/2010 Makela ..... D13/162  
D675,564 S \* 2/2013 Choi ..... D13/110  
8,683,327 B2 \* 3/2014 Metso ..... G06F 3/04886  
715/255  
D771,566 S \* 11/2016 Saarivirta ..... D13/110  
D788,702 S \* 6/2017 Jo ..... D13/110  
D792,848 S \* 7/2017 Poikolainen ..... D13/139.4  
D801,939 S \* 11/2017 Makela ..... D13/162  
2010/0079096 A1 \* 4/2010 Braun ..... G05B 19/042  
318/494  
2013/0073770 A1 \* 3/2013 Woltring ..... G05B 19/0423  
710/303  
2017/0077831 A1 \* 3/2017 Yanagimoto ..... H05K 7/1432  
2017/0303444 A1 \* 10/2017 Ono ..... H01R 9/2416

\* cited by examiner

*Primary Examiner* — Selina Sikder

(74) *Attorney, Agent, or Firm* — J. Bruce Schelkopf; Taft Stettinius & Hollister LLP

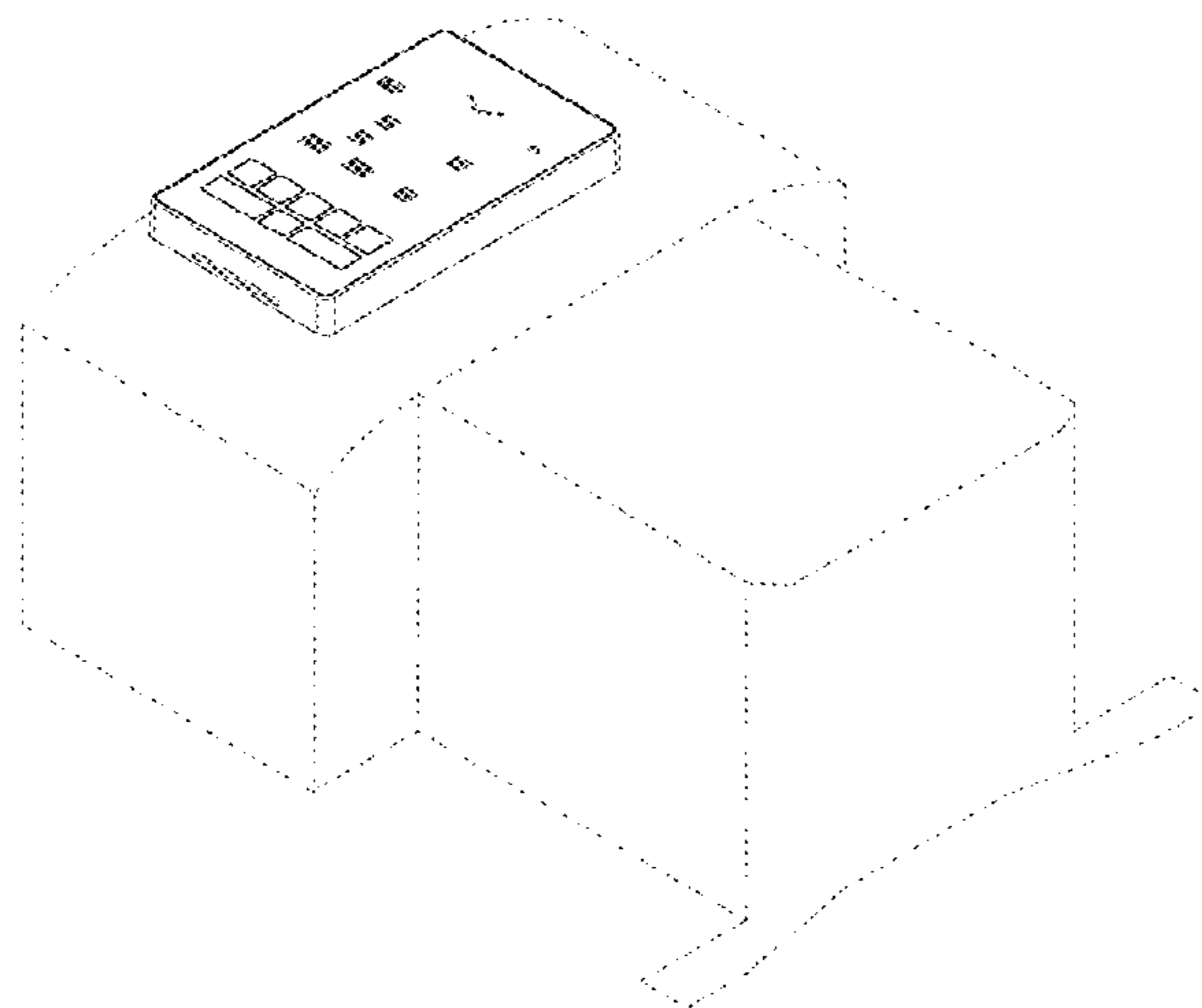
(57) **CLAIM**

The ornamental design for a panel for transfer switch, as shown and described.

**DESCRIPTION**

FIG. 1 is a perspective view of a panel for transfer switch according to an embodiment of our new design.  
FIG. 2 is a front elevational view thereof.  
FIG. 3 is a rear elevational view thereof.  
FIG. 4 is a right side elevational view thereof.  
FIG. 5 is a left side elevational view thereof.  
FIG. 6 is a top plan view thereof; and,  
FIG. 7 is a bottom plan view thereof.  
The broken lines are included to show features that form no part of the claimed design.

**1 Claim, 7 Drawing Sheets**



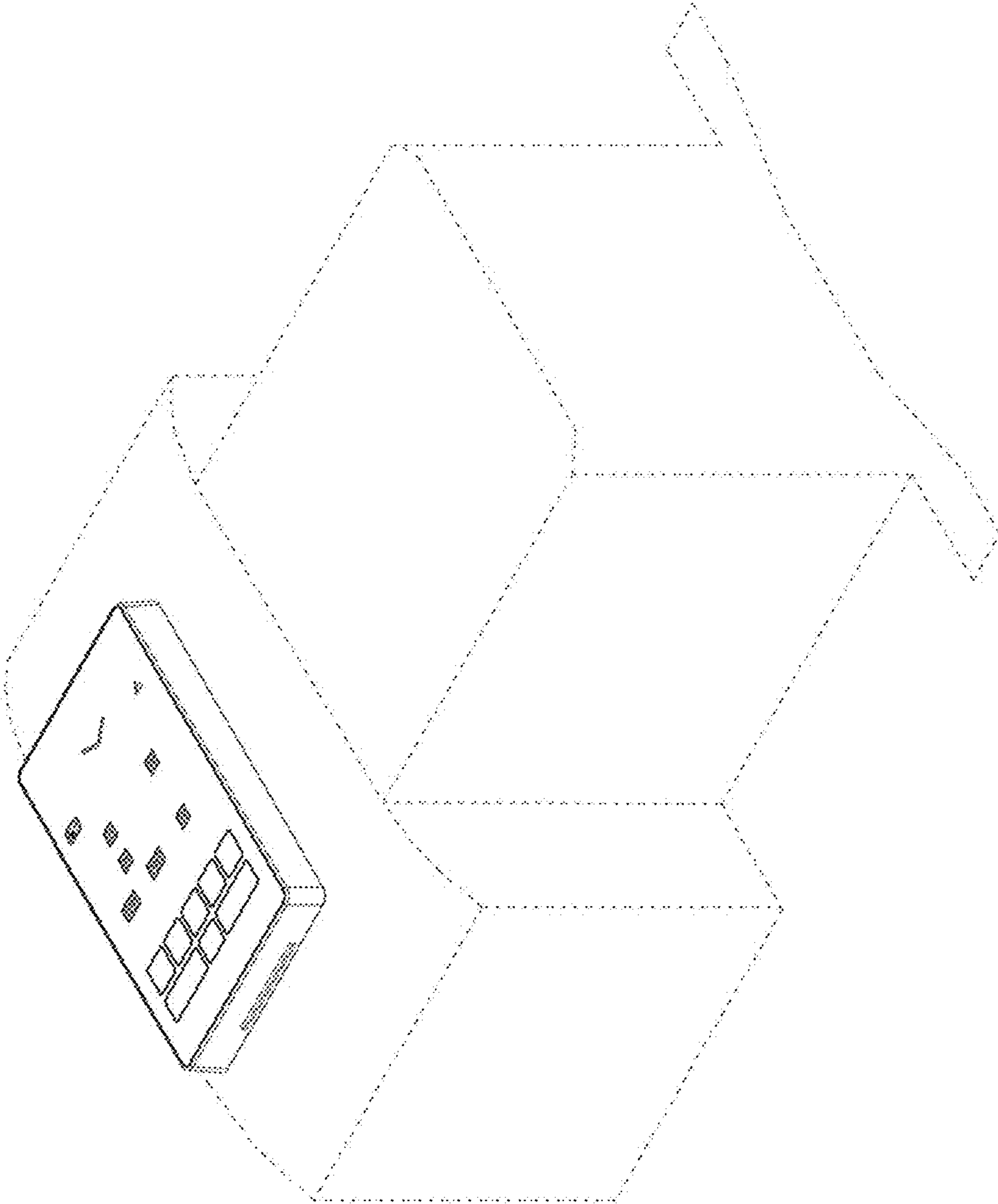


FIG. 1

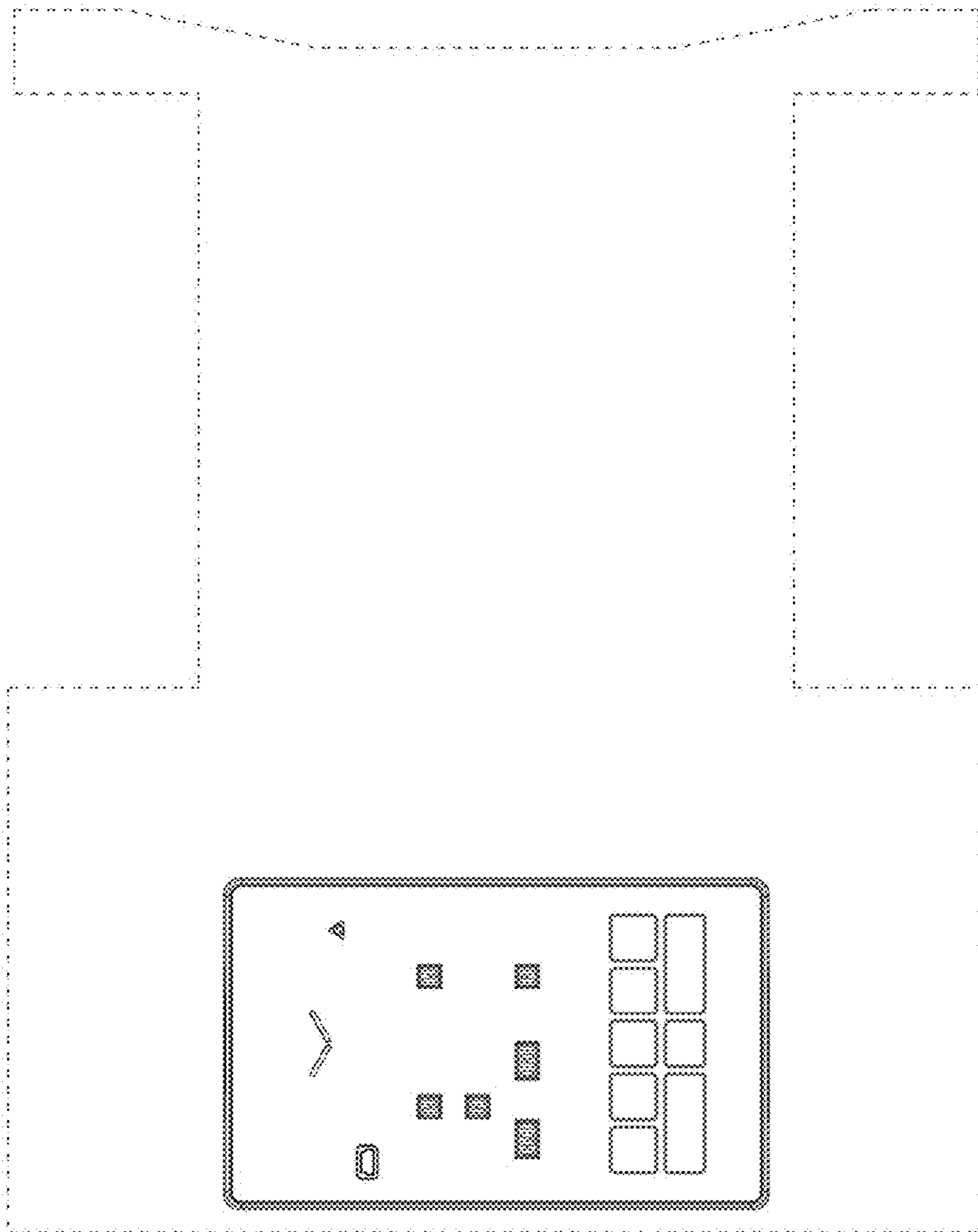


FIG. 2

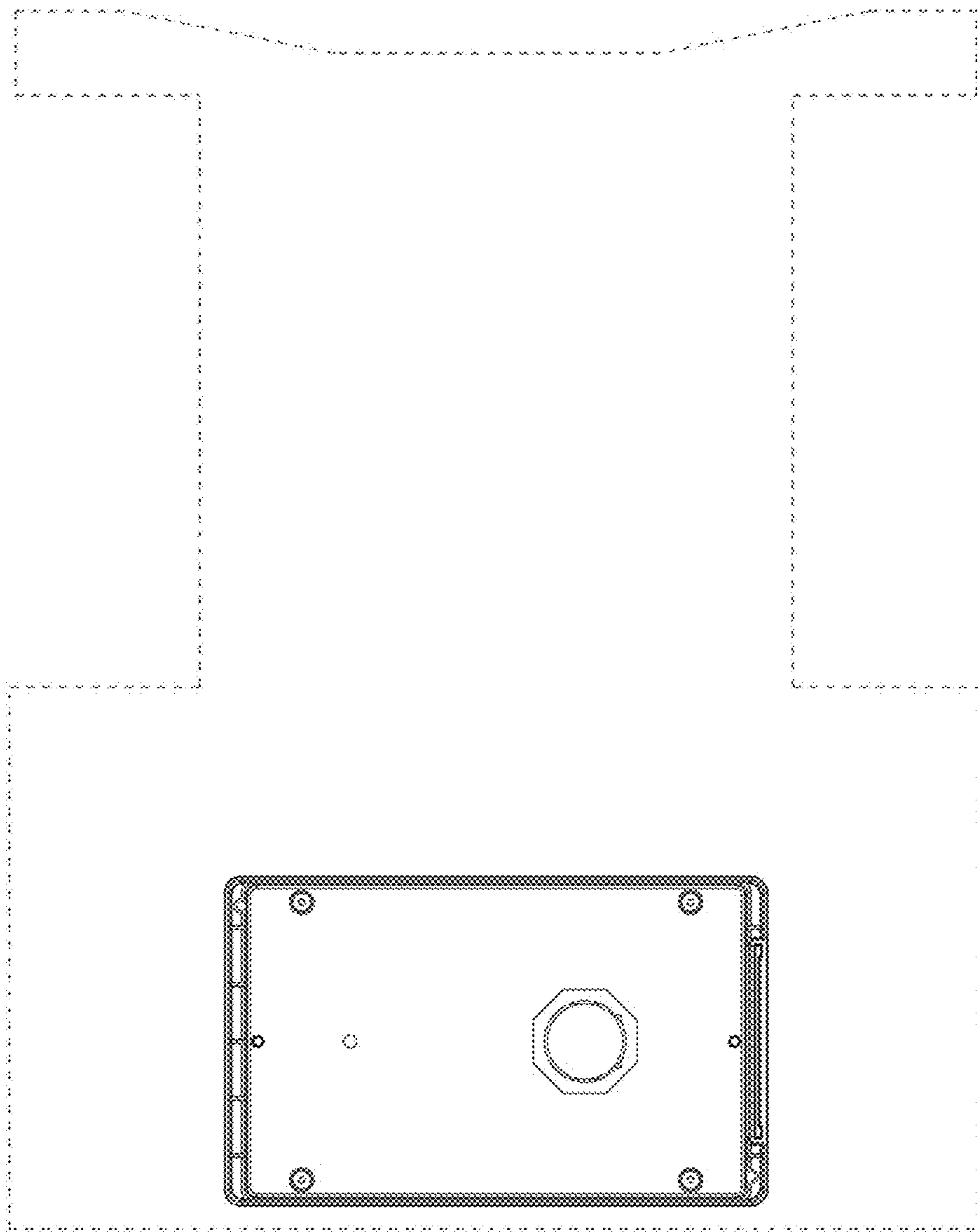


FIG. 3

FIG. 4

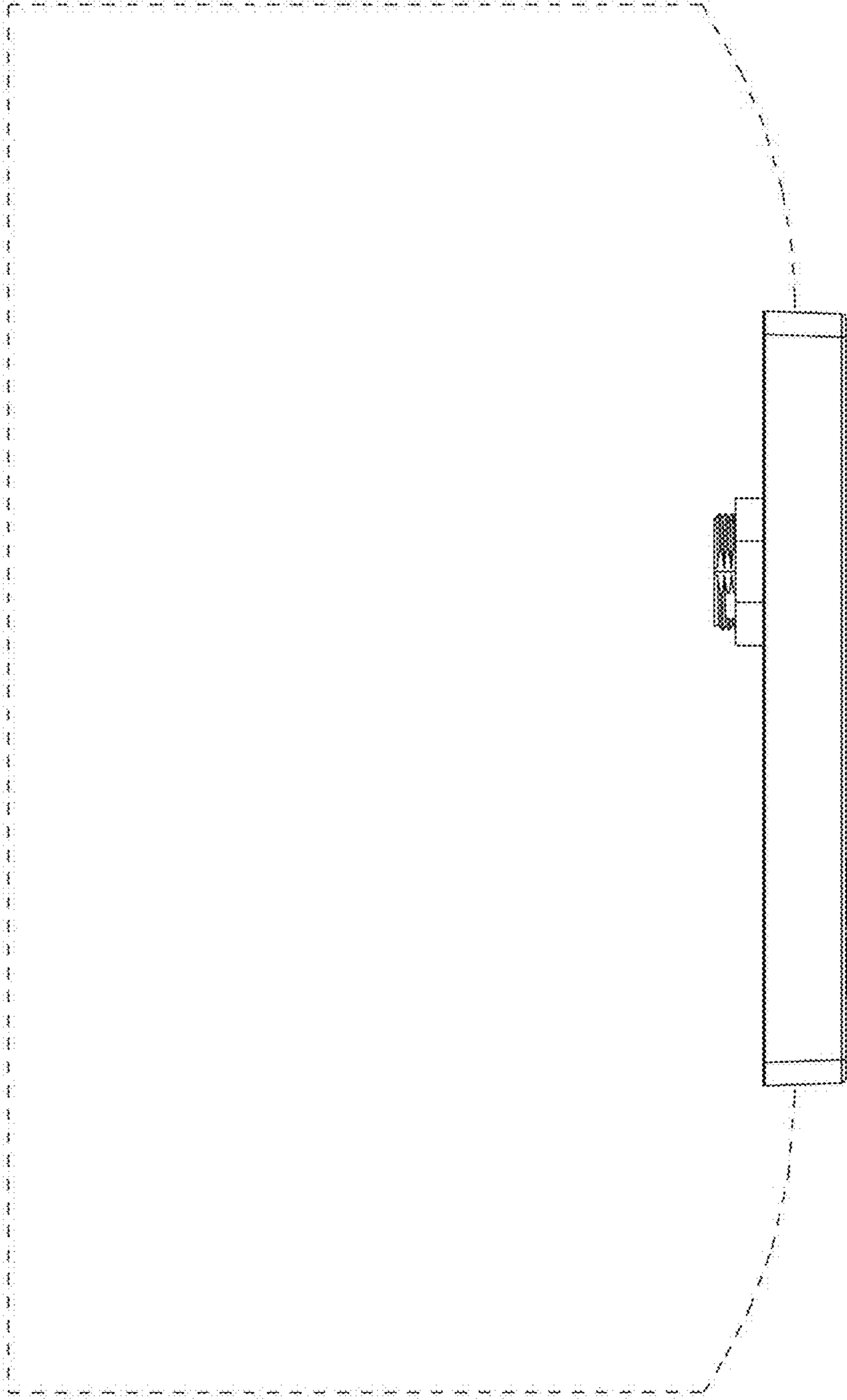


FIG. 5

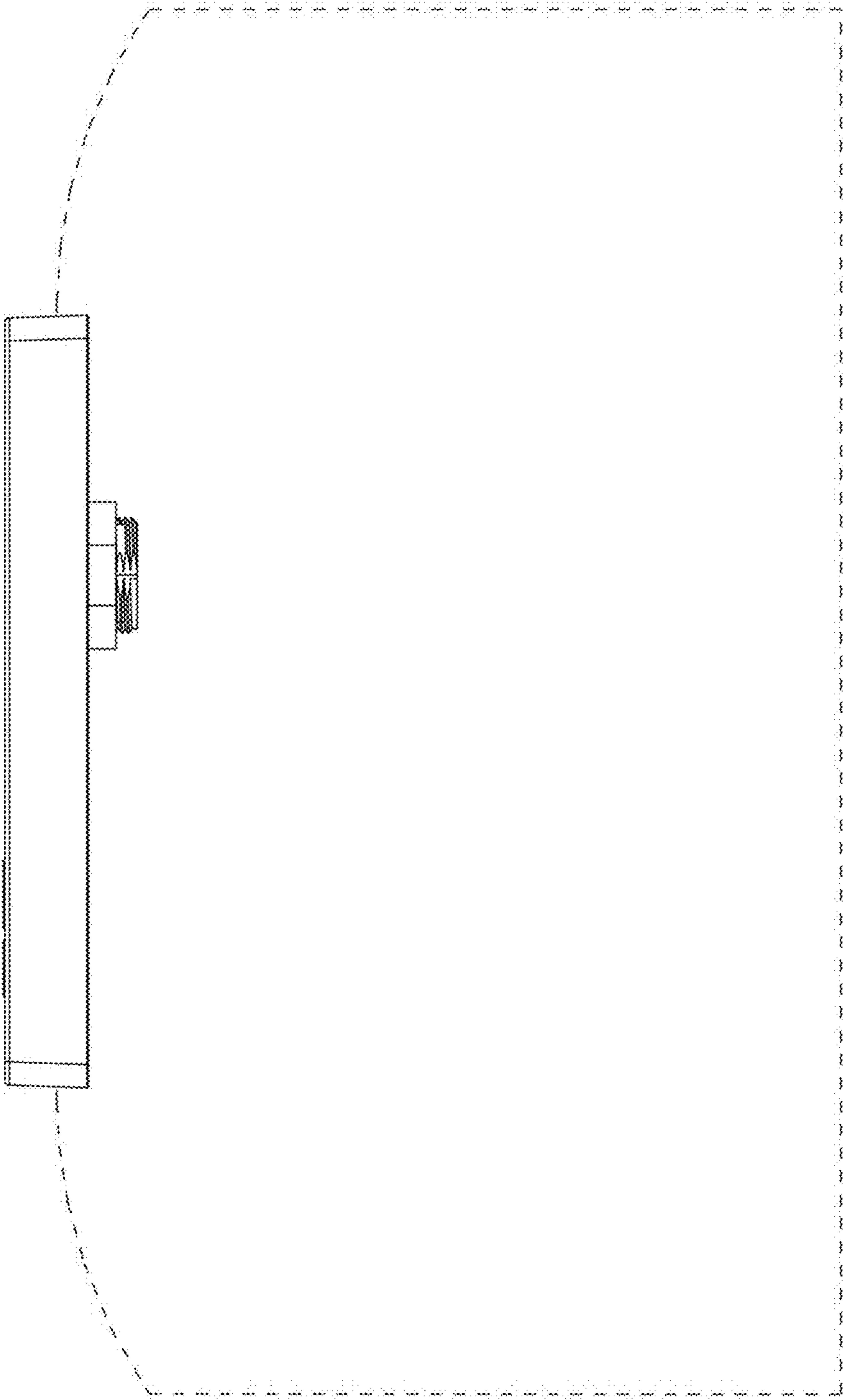


FIG. 6

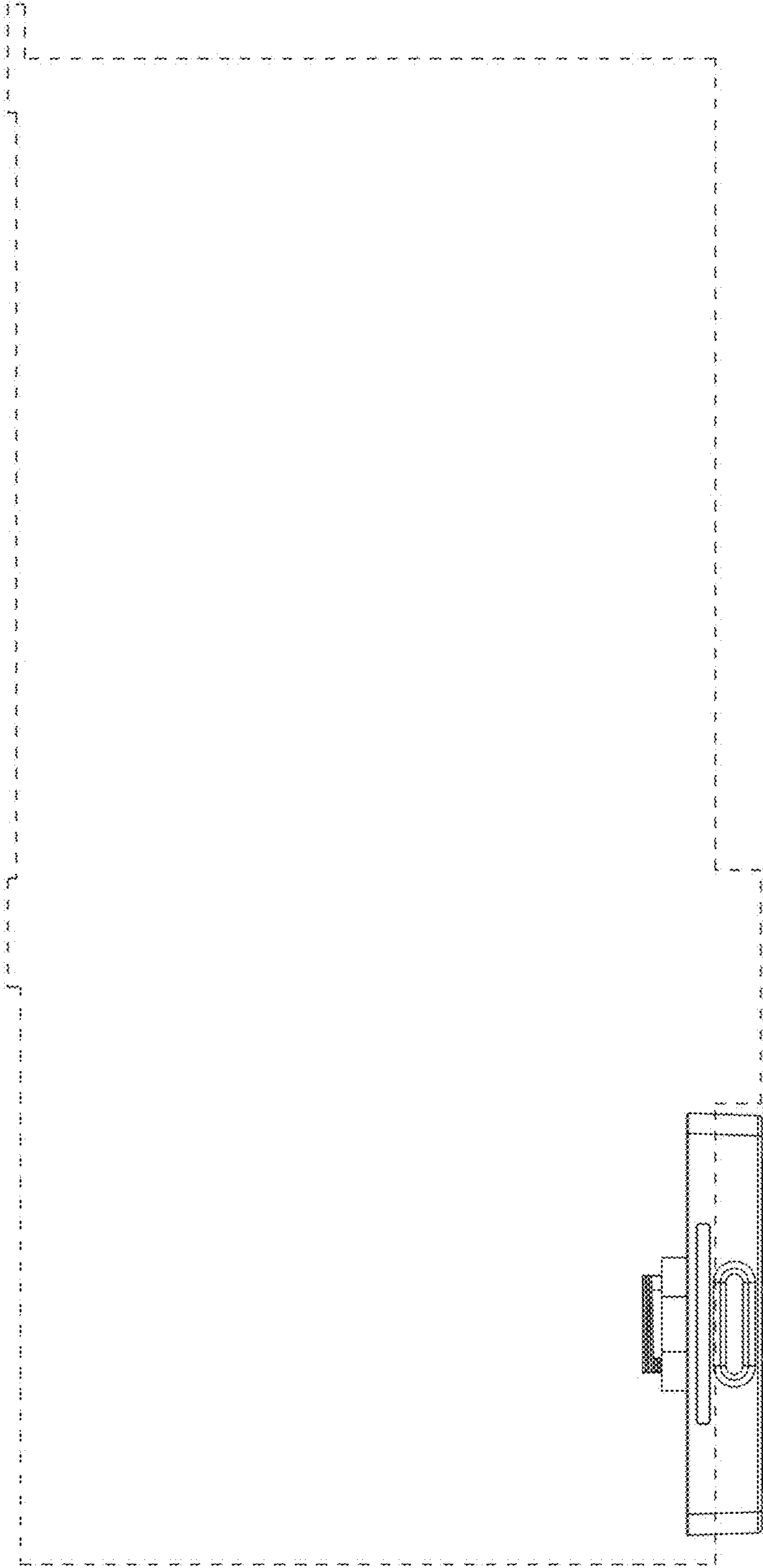


FIG. 7

