



US00D835051S

(12) **United States Design Patent**  
**Poulheim et al.**

(10) **Patent No.:** **US D835,051 S**

(45) **Date of Patent:** **\*\* \*Dec. 4, 2018**

(54) **WALL MOUNTED BUTTON PANEL**

H05B 39/02; H05B 39/04; H05B 39/085;  
H05B 39/086; H05B 39/088

See application file for complete search history.

(71) Applicant: **Crestron Electronics, Inc.**, Rockleigh,  
NJ (US)

(56) **References Cited**

(72) Inventors: **André Poulheim**, Frechen (DE); **Stefan  
Kenta Hohn**, Cologne (DE); **Evan  
Ackmann**, Hoboken, NJ (US)

U.S. PATENT DOCUMENTS

D351,099 S \* 10/1994 Flasz ..... D8/353  
5,999,083 A \* 12/1999 Kordecki ..... H01C 10/103  
338/113

(Continued)

(73) Assignee: **Crestron Electronics, Inc.**, Rockleigh,  
NJ (US)

*Primary Examiner* — Selina Sikder

(74) *Attorney, Agent, or Firm* — Crestron Electronics, Inc

(\* ) Notice: This patent is subject to a terminal dis-  
claimer.

(57) **CLAIM**

The ornamental design for a wall mounted button panel, as  
shown and described.

(\*\*) Term: **15 Years**

**DESCRIPTION**

(21) Appl. No.: **29/622,565**

FIG. 1 shows a front perspective view of a wall mounted  
button panel according to a first embodiment.

(22) Filed: **Oct. 18, 2017**

FIG. 2 shows a front elevation view of the wall mounted  
button panel according to the first embodiment.

**Related U.S. Application Data**

(60) Continuation-in-part of application No. 29/612,111,  
filed on Jul. 28, 2017, which is a division of  
(Continued)

FIG. 3 shows a right side view of the wall mounted button  
panel according to the first embodiment.

(51) **LOC (11) Cl.** ..... **13-03**

(52) **U.S. Cl.**  
USPC ..... **D13/162**

FIG. 4 shows a left side view of the wall mounted button  
panel according to the first embodiment.

(58) **Field of Classification Search**

USPC ..... D13/162, 164, 171, 177  
CPC .. H01H 3/12; H01H 9/02; H01H 9/16; H01H  
9/18; H01H 9/181; H01H 9/182; H01H  
13/04; H01H 13/14; H01H 2009/187;  
H05B 33/0803; H05B 33/0863; H05B  
37/02; H05B 37/0254; H05B 37/0272;

FIG. 5 shows a top view of the wall mounted button panel  
according to the first embodiment.

FIG. 6 shows a bottom view of the wall mounted button  
panel according to the first embodiment.

FIG. 7 shows a front perspective view of a wall mounted  
button panel according to a second embodiment.

FIG. 8 shows a front elevation view of the wall mounted  
button panel according to the second embodiment.

FIG. 9 shows a right side view of the wall mounted button  
panel according to the second embodiment.

FIG. 10 shows a left side view of the wall mounted button  
panel according to the second embodiment.

FIG. 11 shows a top view of the wall mounted button panel  
according to the second embodiment; and,

(Continued)

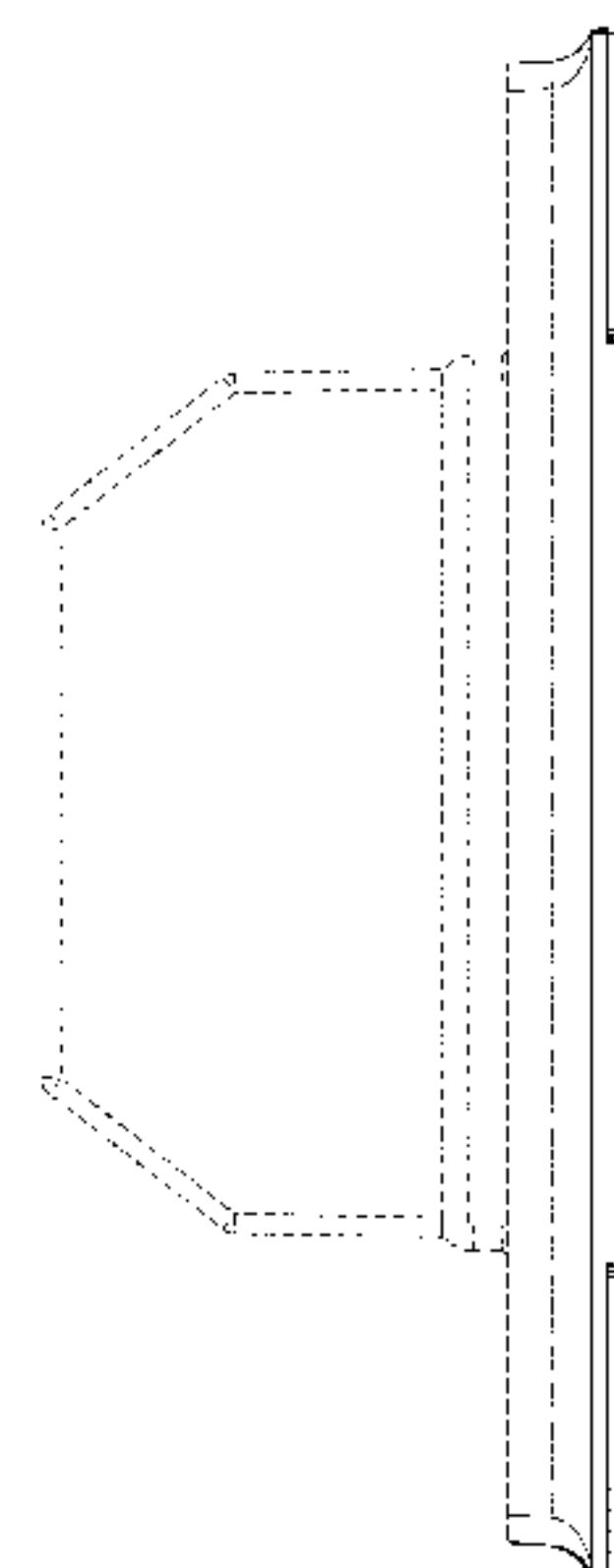
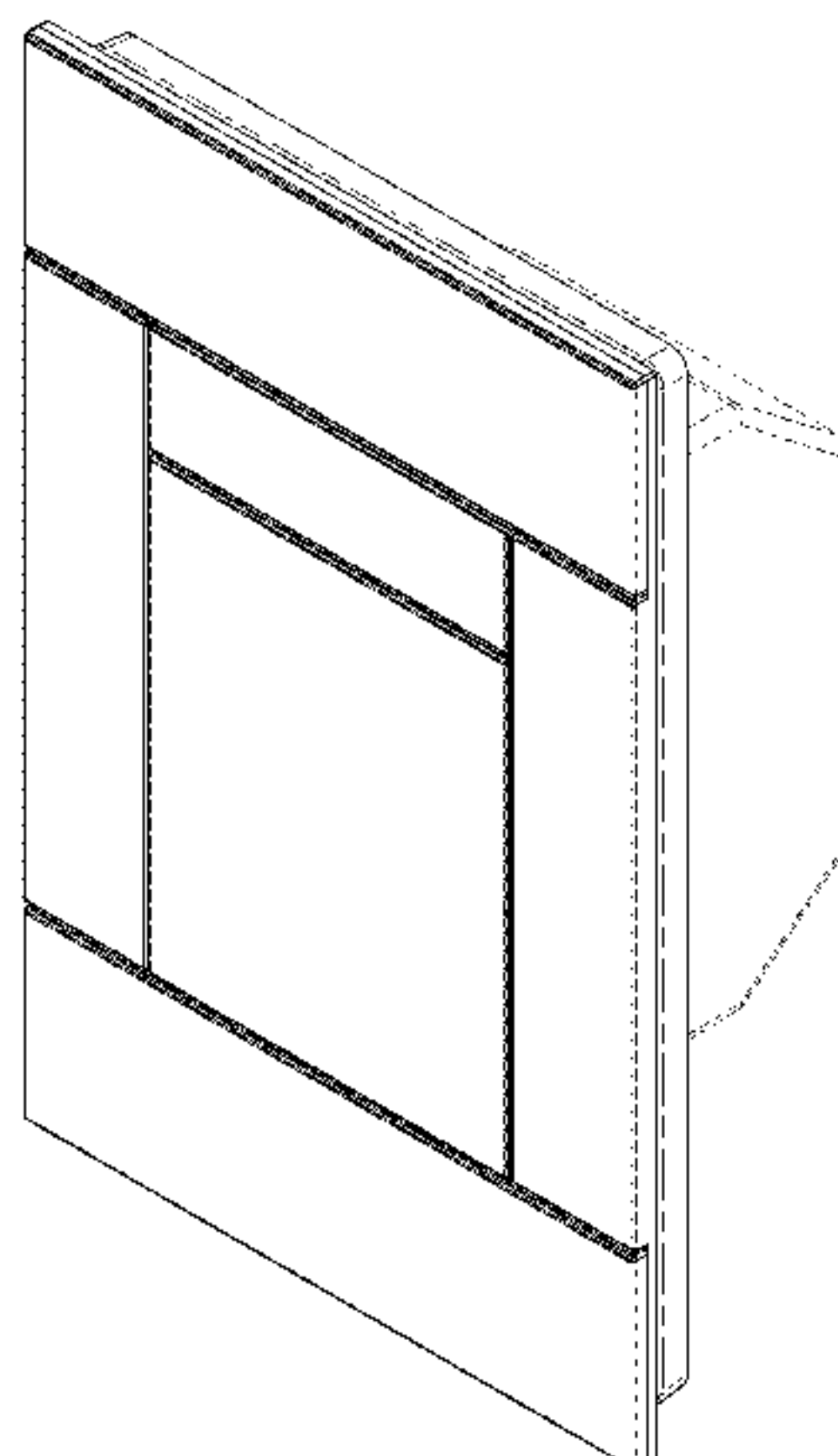


FIG. 12 shows a bottom view of the wall mounted button panel according to the second embodiment. The broken lines in the figures depict portions of the wall mounted button panel that form no part of the claimed design.

**1 Claim, 10 Drawing Sheets**

**Related U.S. Application Data**

application No. 29/578,525, filed on Sep. 22, 2016, now Pat. No. Des. 797,684.

(56)

**References Cited**

U.S. PATENT DOCUMENTS

D633,448 S \* 3/2011 Biery ..... D13/171  
D669,866 S \* 10/2012 Gilbert ..... D10/49

D687,390 S \* 8/2013 McDonald ..... D13/168  
D717,742 S \* 11/2014 Larkin ..... D13/162  
D726,663 S \* 4/2015 Clymer ..... D13/162  
D733,073 S \* 6/2015 Larkin ..... D13/164  
D733,076 S \* 6/2015 Jacoby ..... D13/164  
D734,277 S \* 7/2015 Jacoby ..... D13/164  
D736,718 S \* 8/2015 Spira ..... D13/164  
D767,513 S \* 9/2016 Jacoby ..... D13/164  
D768,582 S \* 10/2016 Jacoby ..... D13/164  
D769,829 S \* 10/2016 Jacoby ..... D13/164  
D772,177 S \* 11/2016 Hickok ..... D13/177  
D792,358 S \* 7/2017 Poulheim ..... D13/164  
D797,684 S \* 9/2017 Poulheim ..... D13/164  
D800,669 S \* 10/2017 Poulheim ..... D13/162  
D800,671 S \* 10/2017 Poulheim ..... D13/164  
D800,672 S \* 10/2017 Poulheim ..... D13/164  
D813,177 S \* 3/2018 Poulheim ..... D13/164  
2016/0069537 A1 \* 3/2016 Dimberg ..... G09G 3/20  
362/23.04

\* cited by examiner

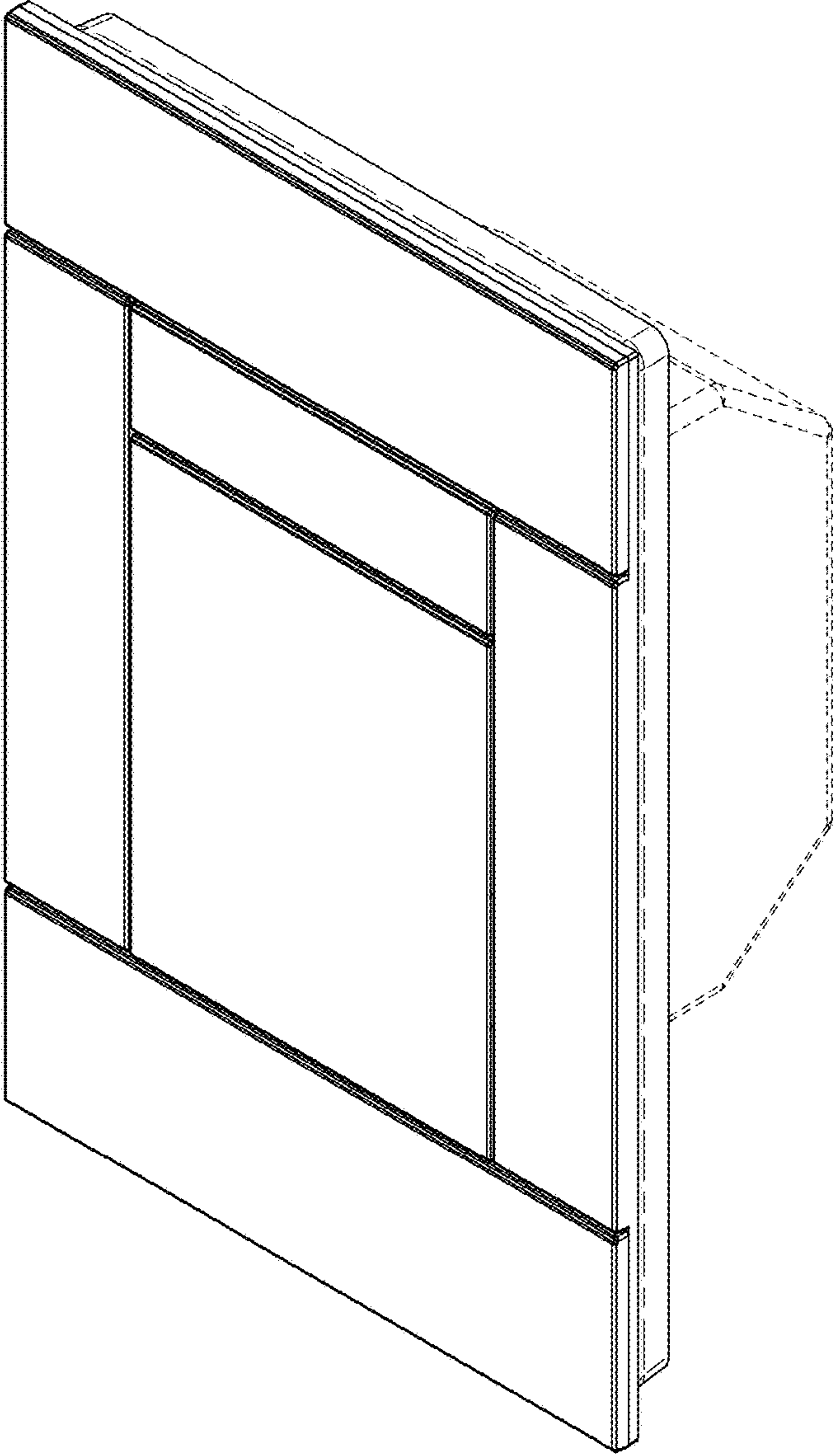


FIG. 1

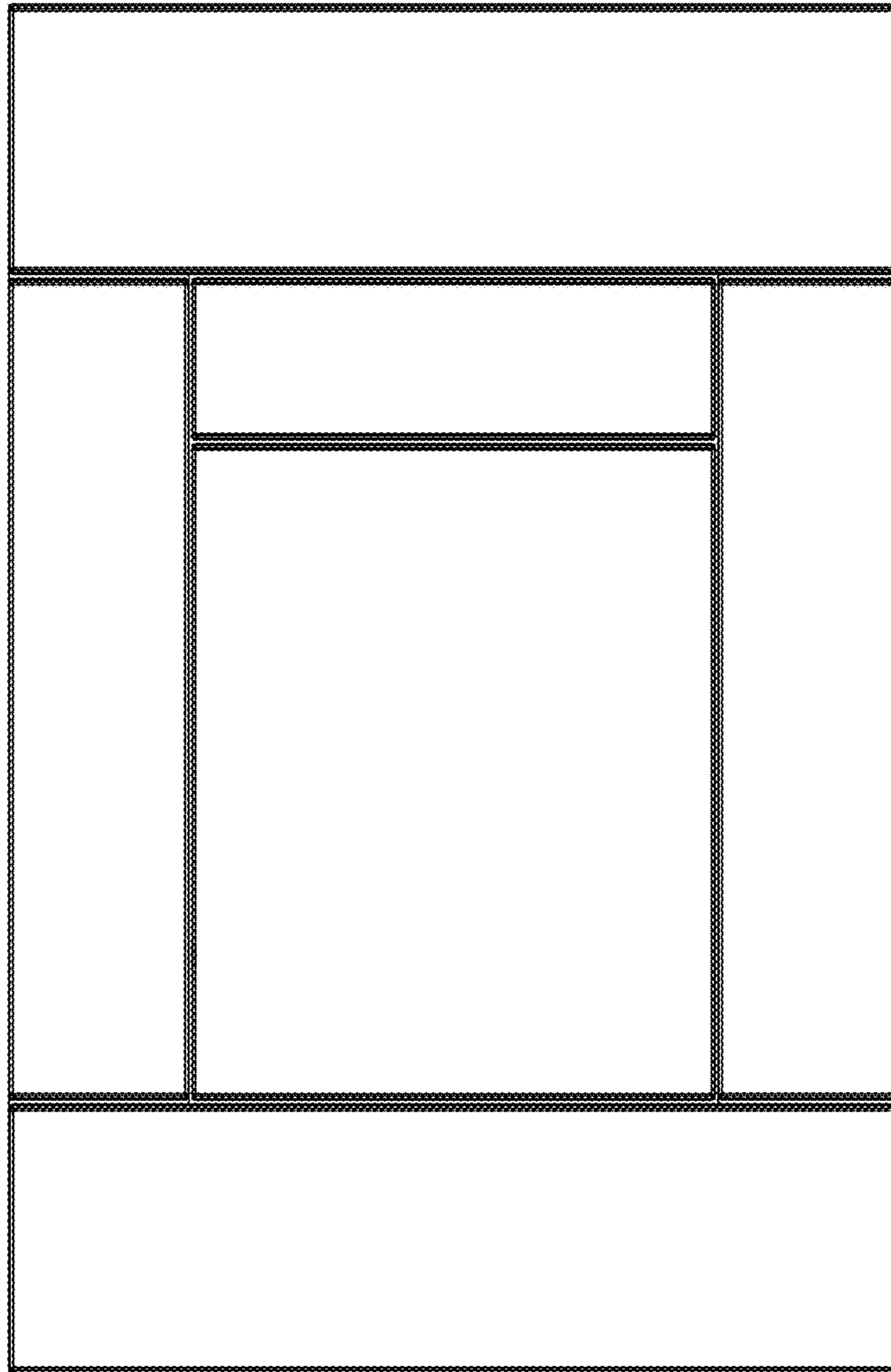


FIG. 2

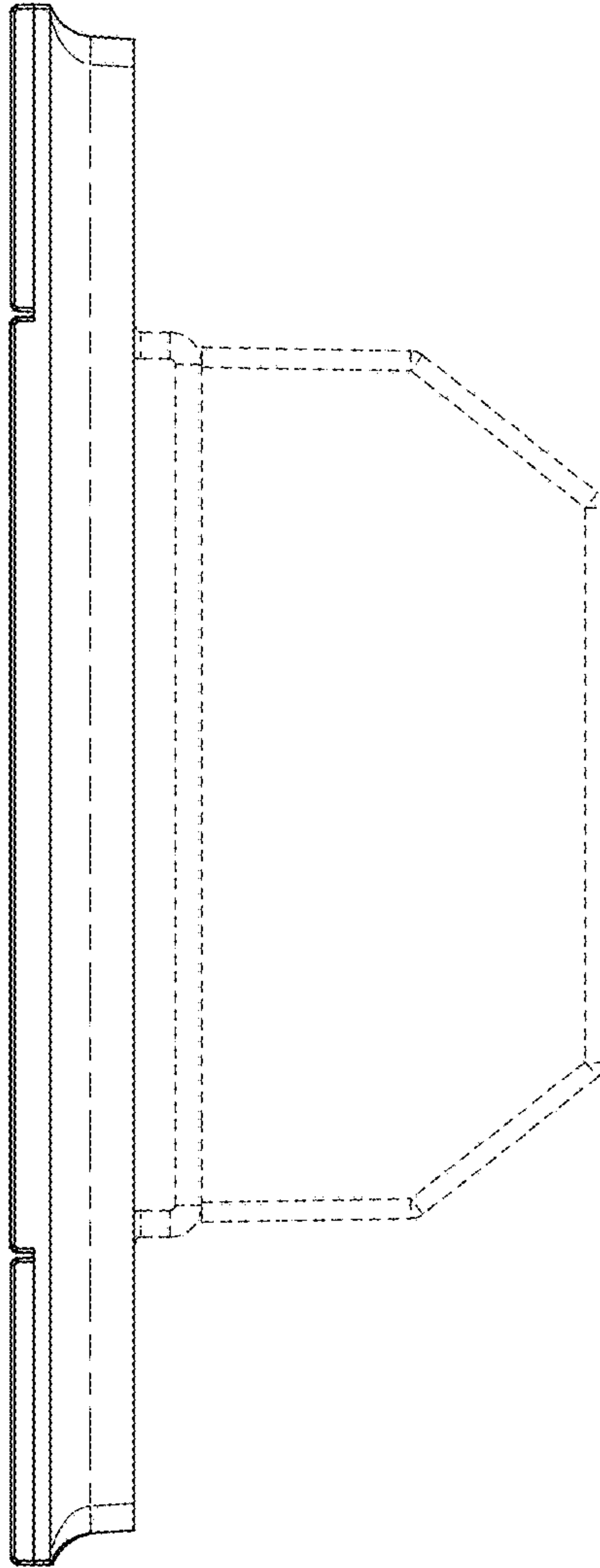


FIG. 3

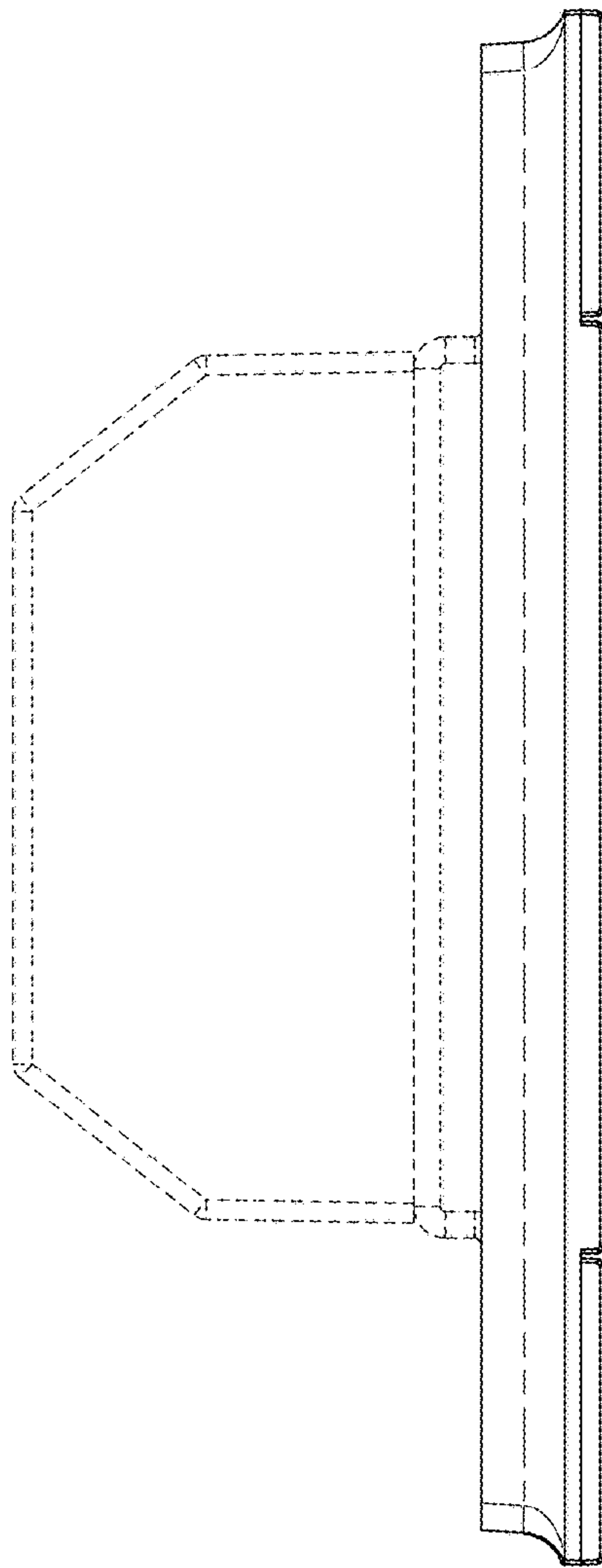


FIG. 4



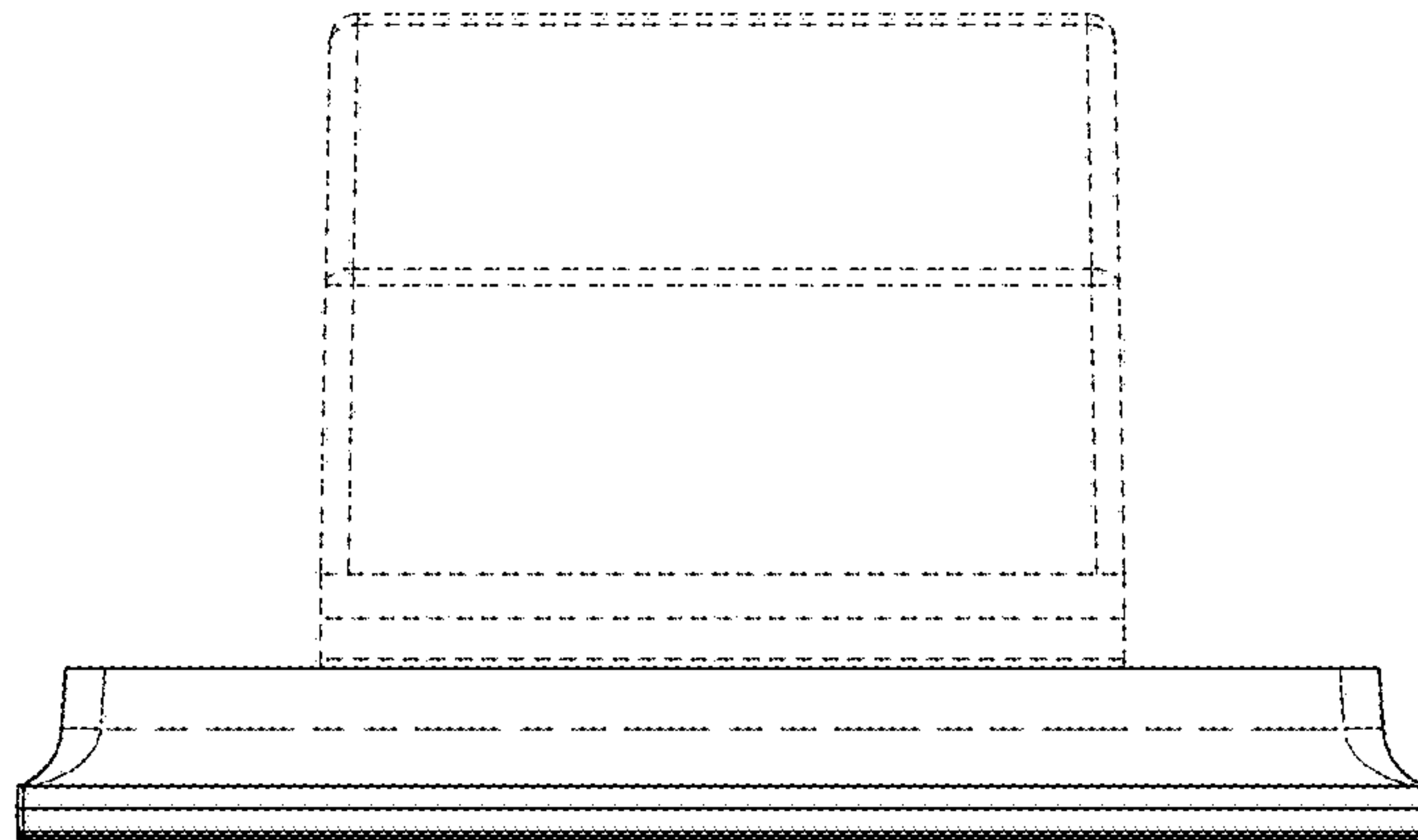


FIG. 5

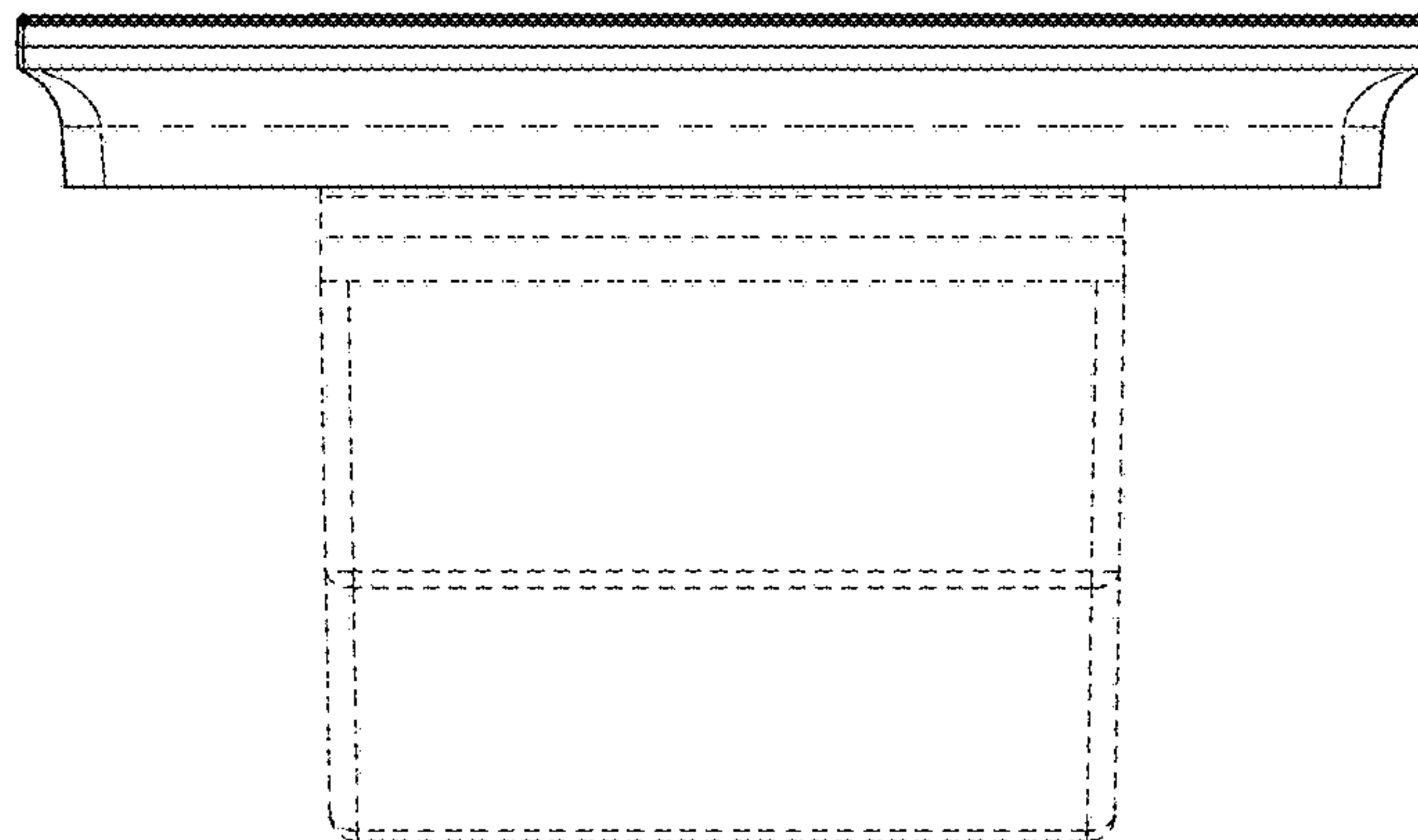


FIG. 6

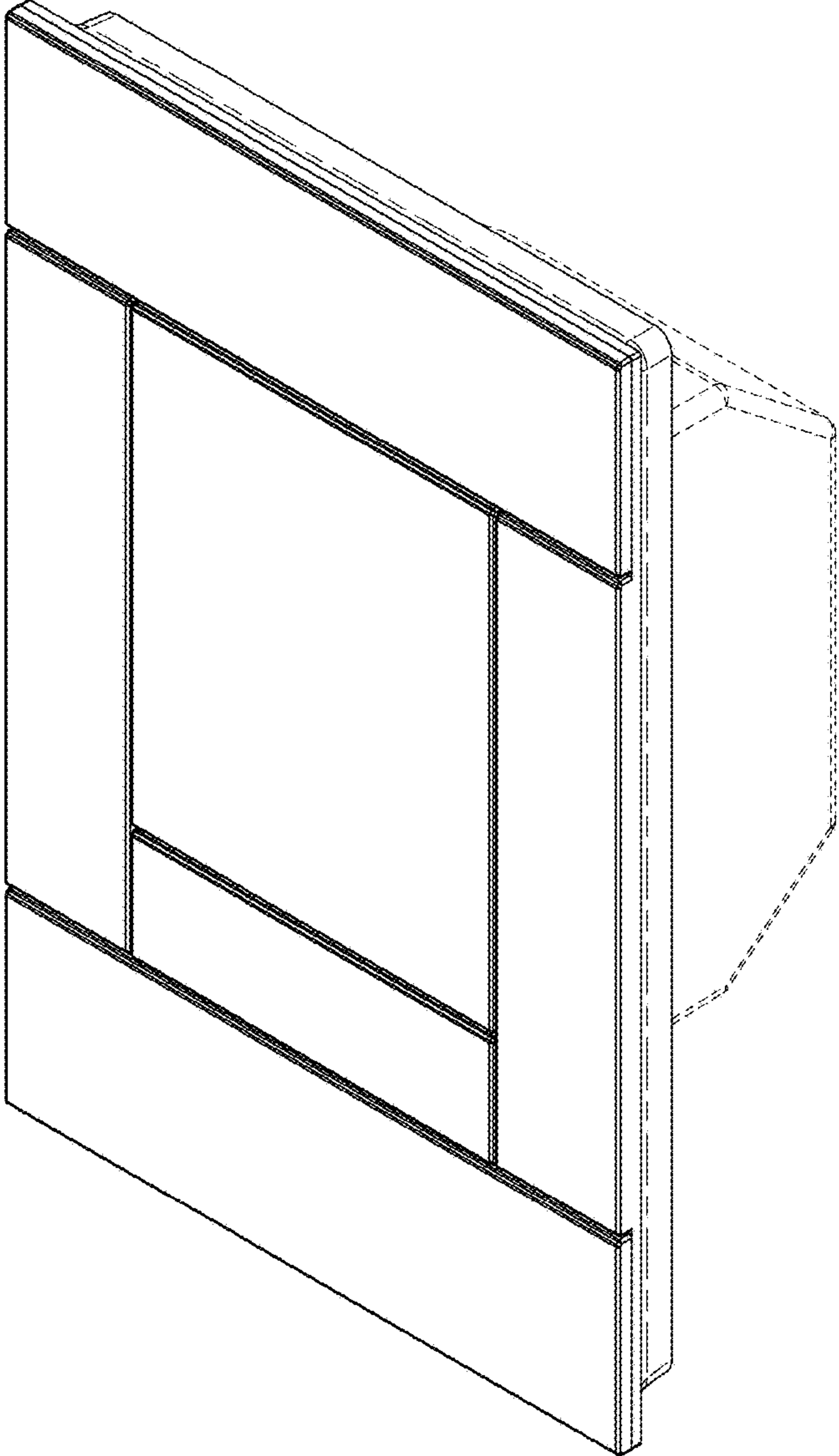


FIG. 7



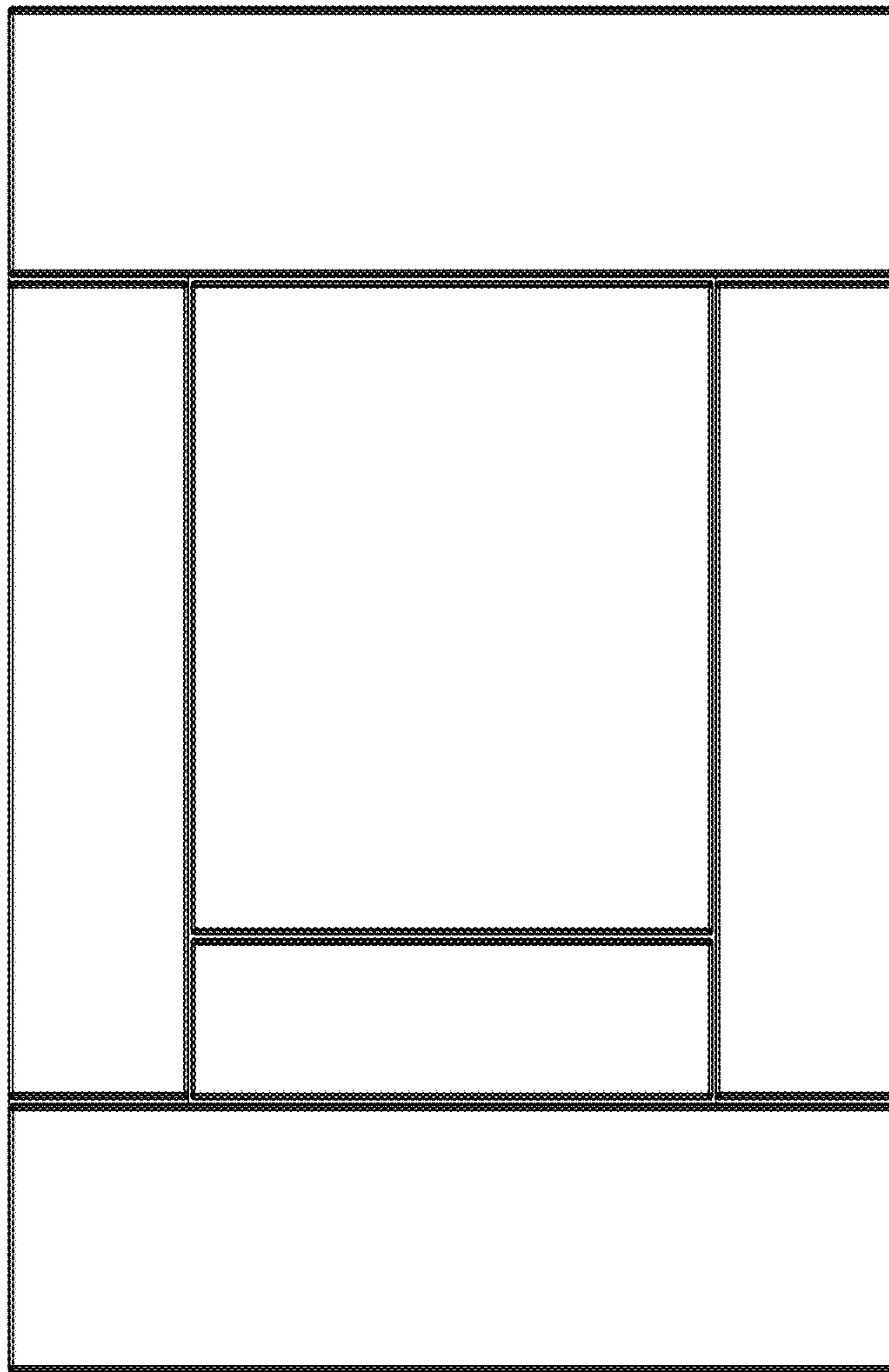


FIG. 8

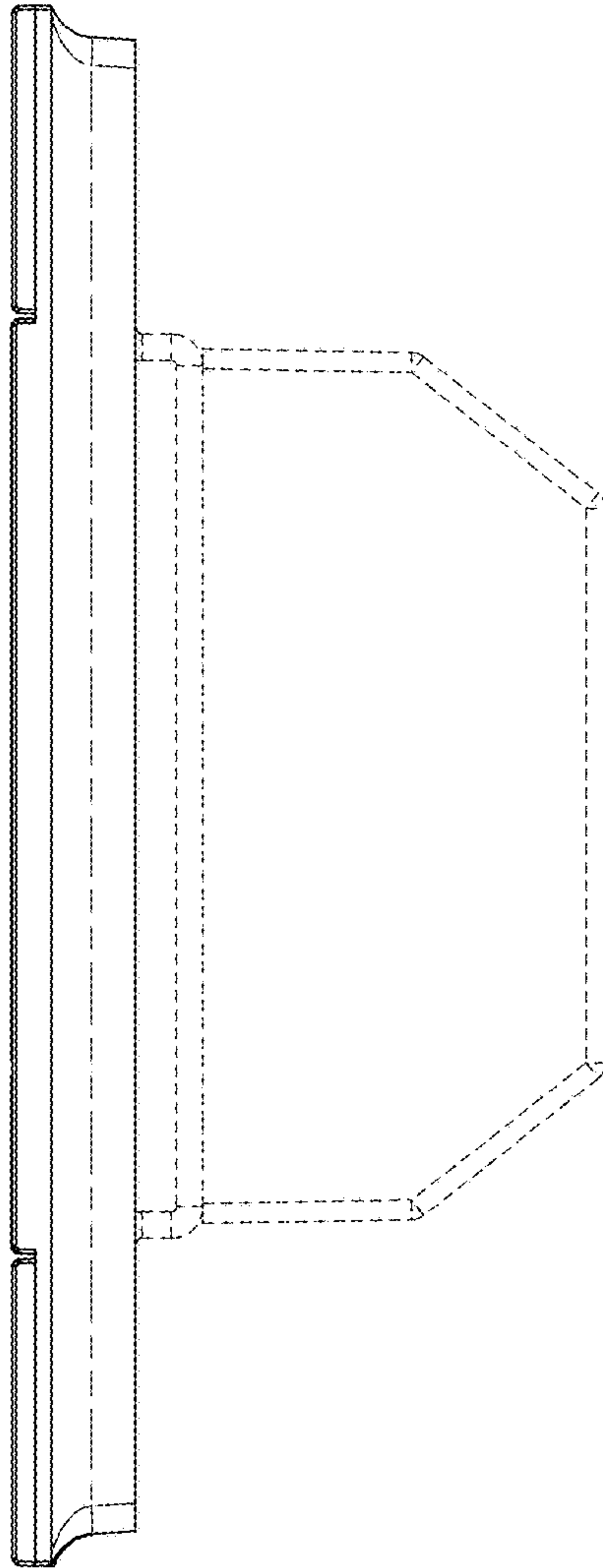


FIG. 9

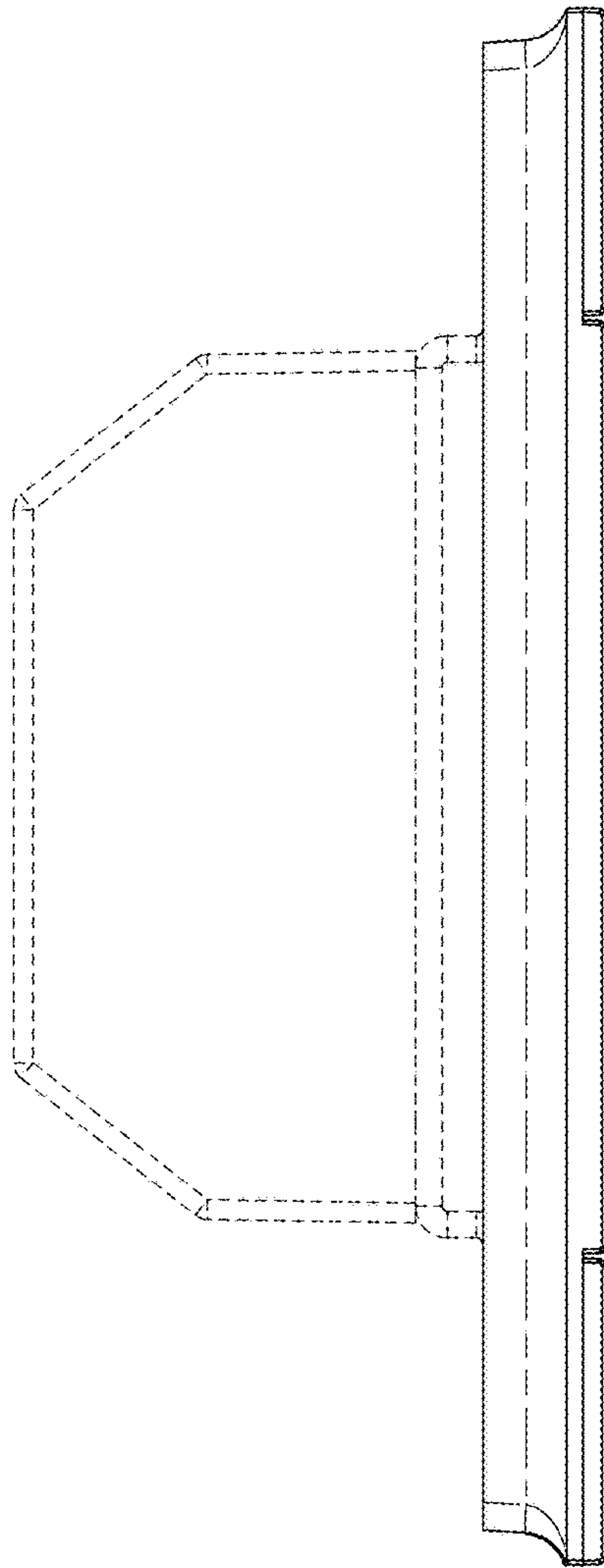


FIG. 10

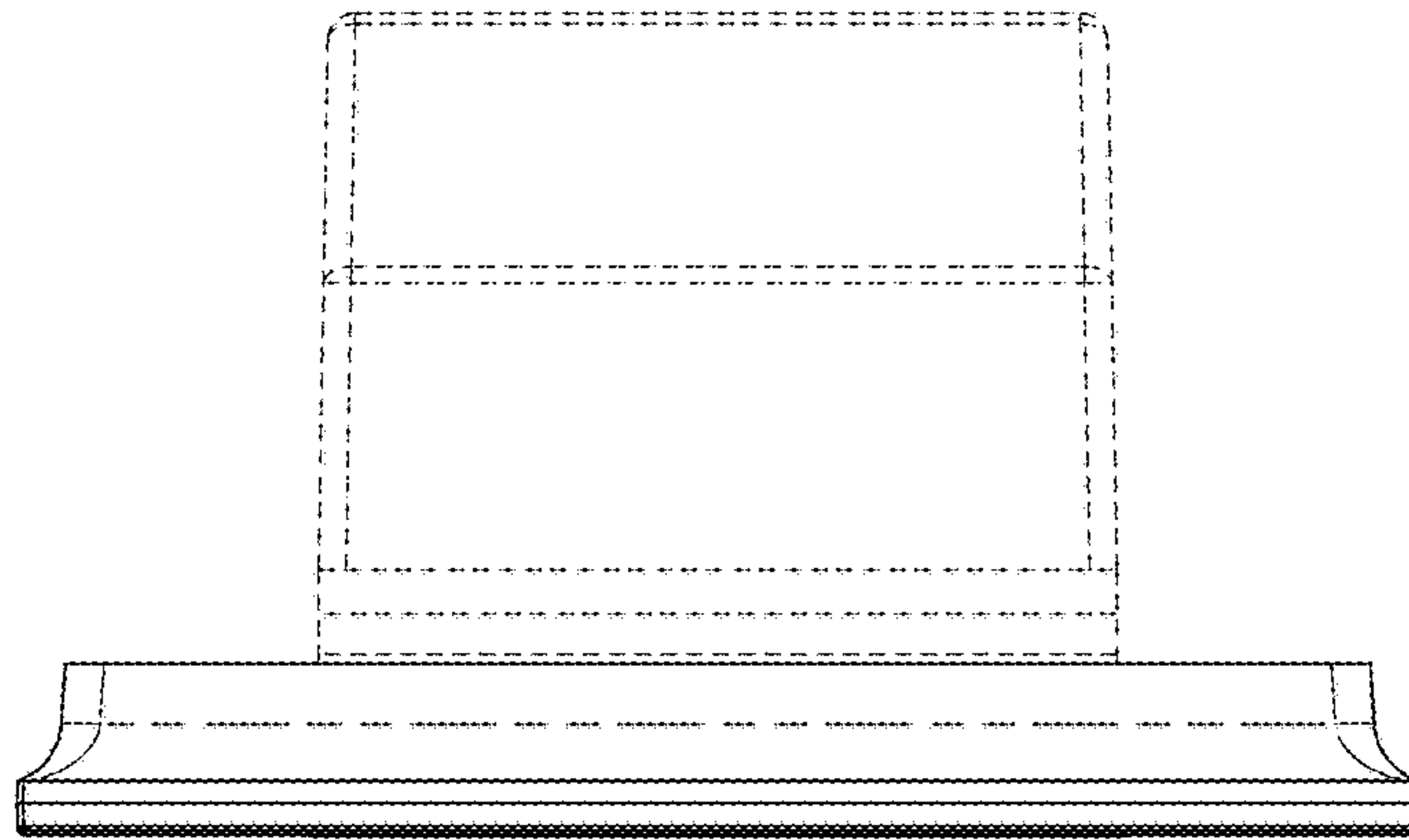


FIG. 11

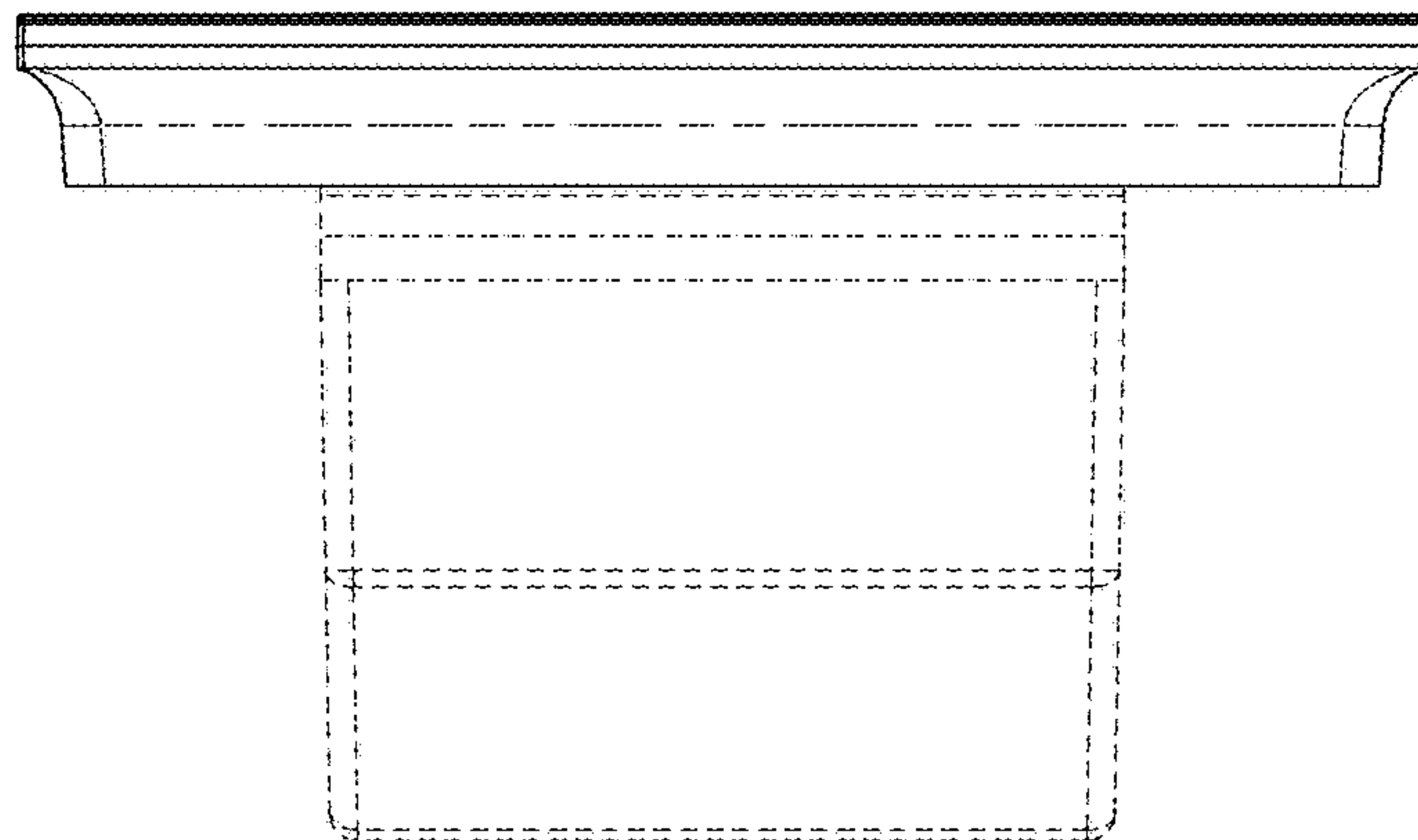


FIG. 12