



US00D835048S

(12) **United States Design Patent** (10) **Patent No.:** **US D835,048 S**
Arai et al. (45) **Date of Patent:** **** Dec. 4, 2018**

(54) **ELECTRICAL CONNECTOR**
(71) Applicant: **Molex, LLC**, Lisle, IL (US)
(72) Inventors: **Tomohiro Arai**, Yamato (JP); **Satoru Teruki**, Yamato (JP); **Kenta Arichika**, Yamato (JP)

(73) Assignee: **Molex, LLC**, Lisle, IL (US)

(**) Term: **15 Years**

(21) Appl. No.: **29/600,116**

(22) Filed: **Apr. 10, 2017**

(30) **Foreign Application Priority Data**

Nov. 16, 2016 (JP) 2016-024903

(51) **LOC (11) Cl.** **13-03**

(52) **U.S. Cl.**
USPC **D13/147**

(58) **Field of Classification Search**
USPC D13/123, 133, 146, 147, 154, 155, 156, D13/184, 199
CPC H01R 9/075; H01R 9/16; H01R 12/616; H01R 13/05; H01R 13/193; H01R 13/2464; H01R 13/2478; H01R 13/2485; H01R 13/2492; H01R 13/6271; H01R 13/6275; H01R 13/6335; H01R 13/642; H01R 13/659

See application file for complete search history.

(56) **References Cited**

U.S. PATENT DOCUMENTS

5,507,657 A * 4/1996 Seto H01R 43/205 439/135
D699,191 S * 2/2014 Yoshisuji D13/147

D729,173 S * 5/2015 Fukumoto D13/147
D735,676 S * 8/2015 Chen D13/147
D753,603 S * 4/2016 Yokoo D13/147
D769,825 S * 10/2016 Ozeki D13/147
D798,239 S * 9/2017 Ashibu D13/147
2012/0225579 A1* 9/2012 Kobayashi H01R 12/774 439/492

FOREIGN PATENT DOCUMENTS

TW D180509 S 1/2017

* cited by examiner

Primary Examiner — Daniel Bui

(74) *Attorney, Agent, or Firm* — James A. O'Malley

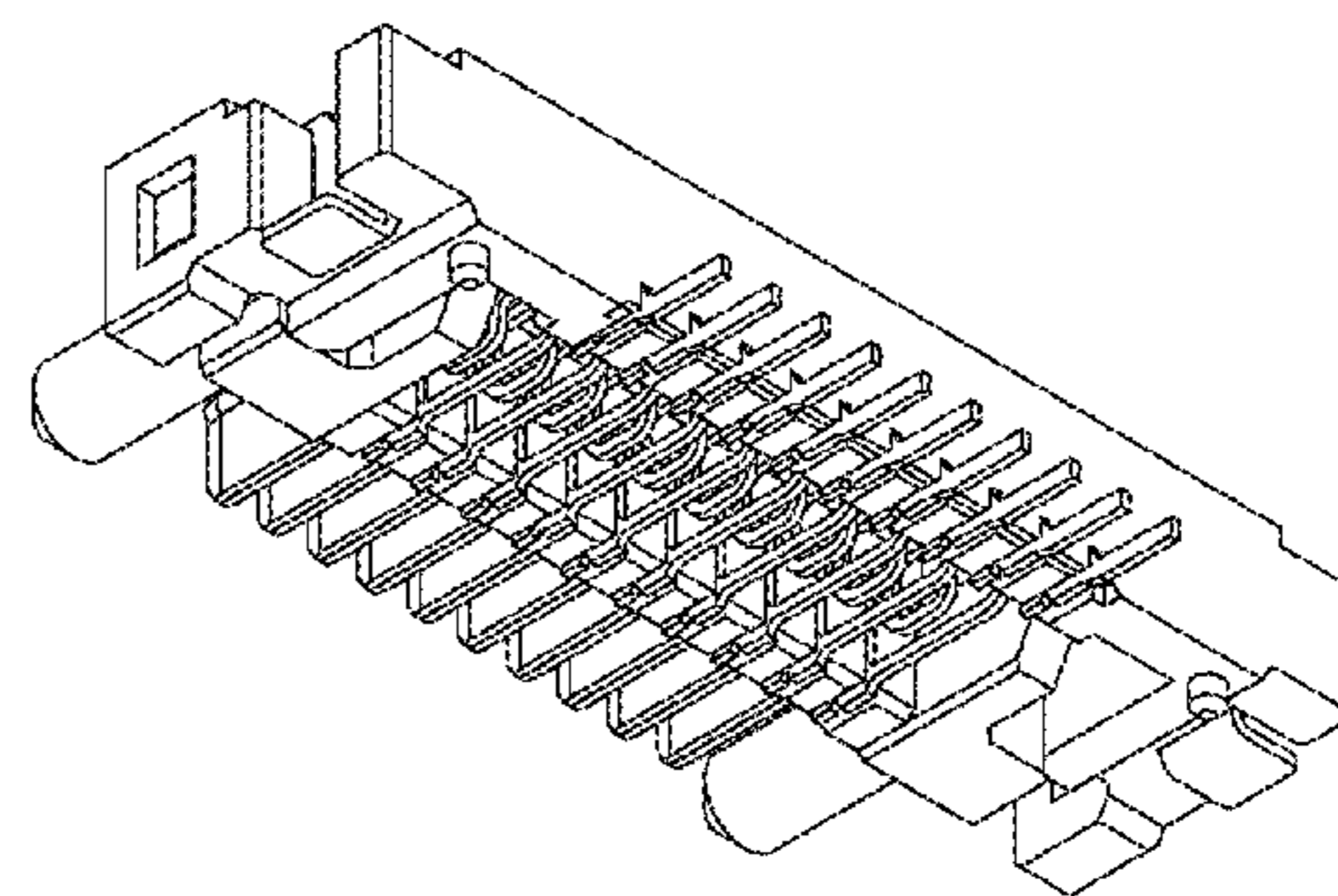
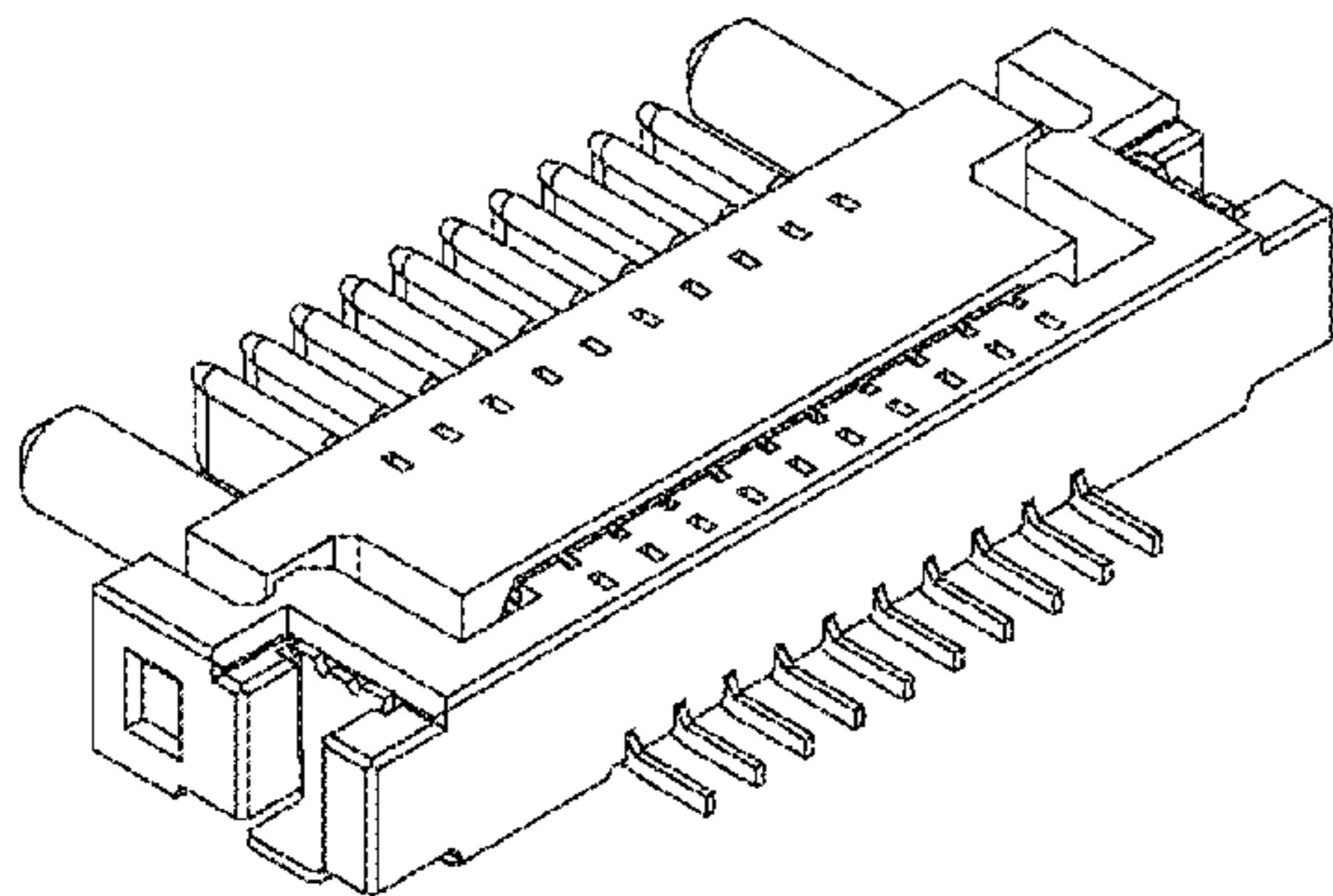
(57) **CLAIM**

The ornamental design for an electrical connector, as shown and described.

DESCRIPTION

FIG. 1 is a front, top and right side perspective view of an electrical connector showing our new design;
FIG. 2 is a rear, top and right side perspective view thereof;
FIG. 3 is a front, bottom and right side perspective view thereof;
FIG. 4 is a rear, bottom and right side perspective view thereof;
FIG. 5 is a right side elevation view thereof;
FIG. 6 is a left side elevation view thereof;
FIG. 7 is a top plan view thereof;
FIG. 8 is a bottom plan view thereof;
FIG. 9 is a rear elevation view thereof;
FIG. 10 is a front elevation view thereof; and,
FIG. 11 is a top plan view thereof, in use condition.
The broken line in the figure drawings is included to show the unclaimed environment only and forms no part of the claimed design.

1 Claim, 4 Drawing Sheets



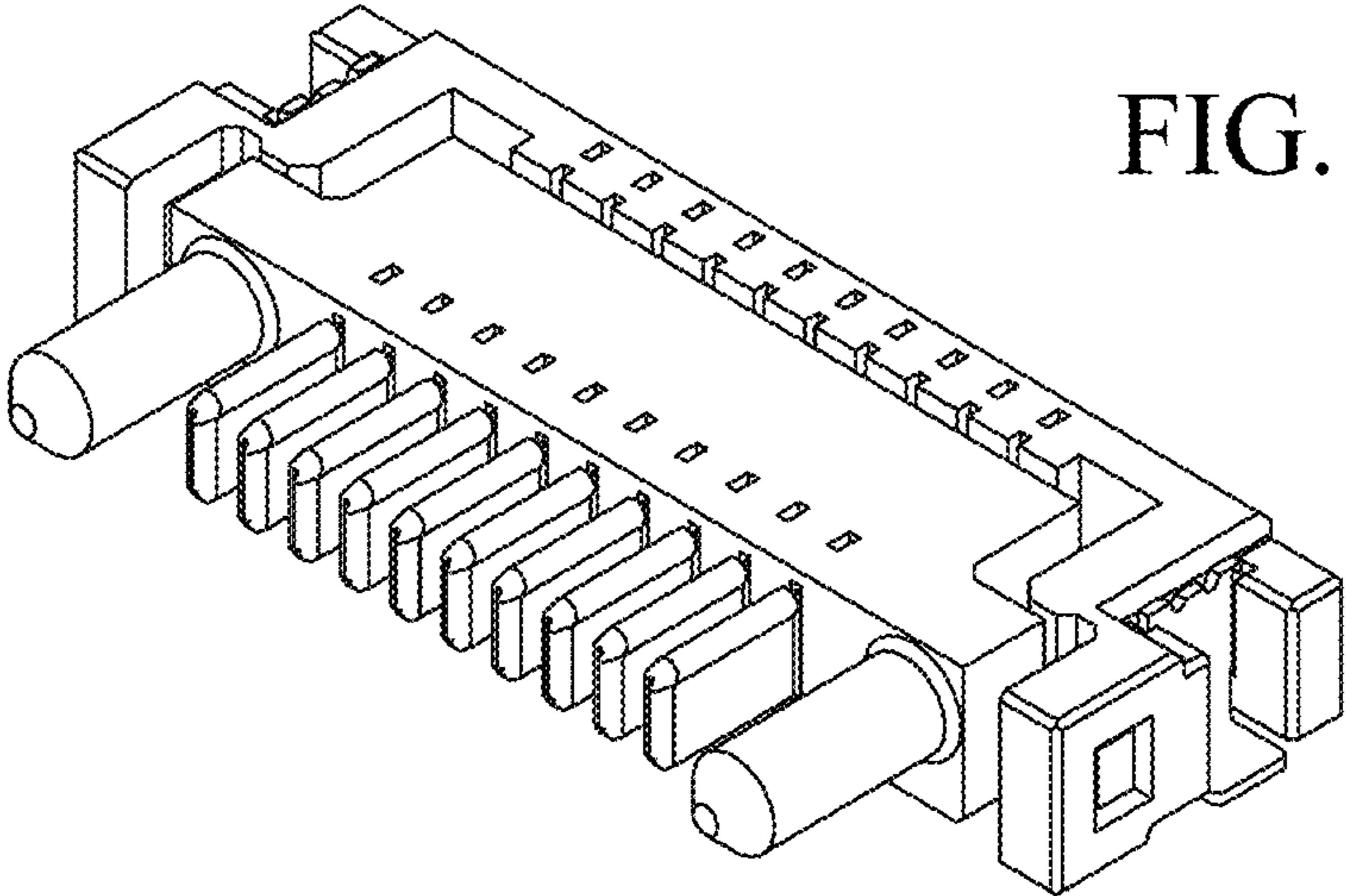


FIG. 1

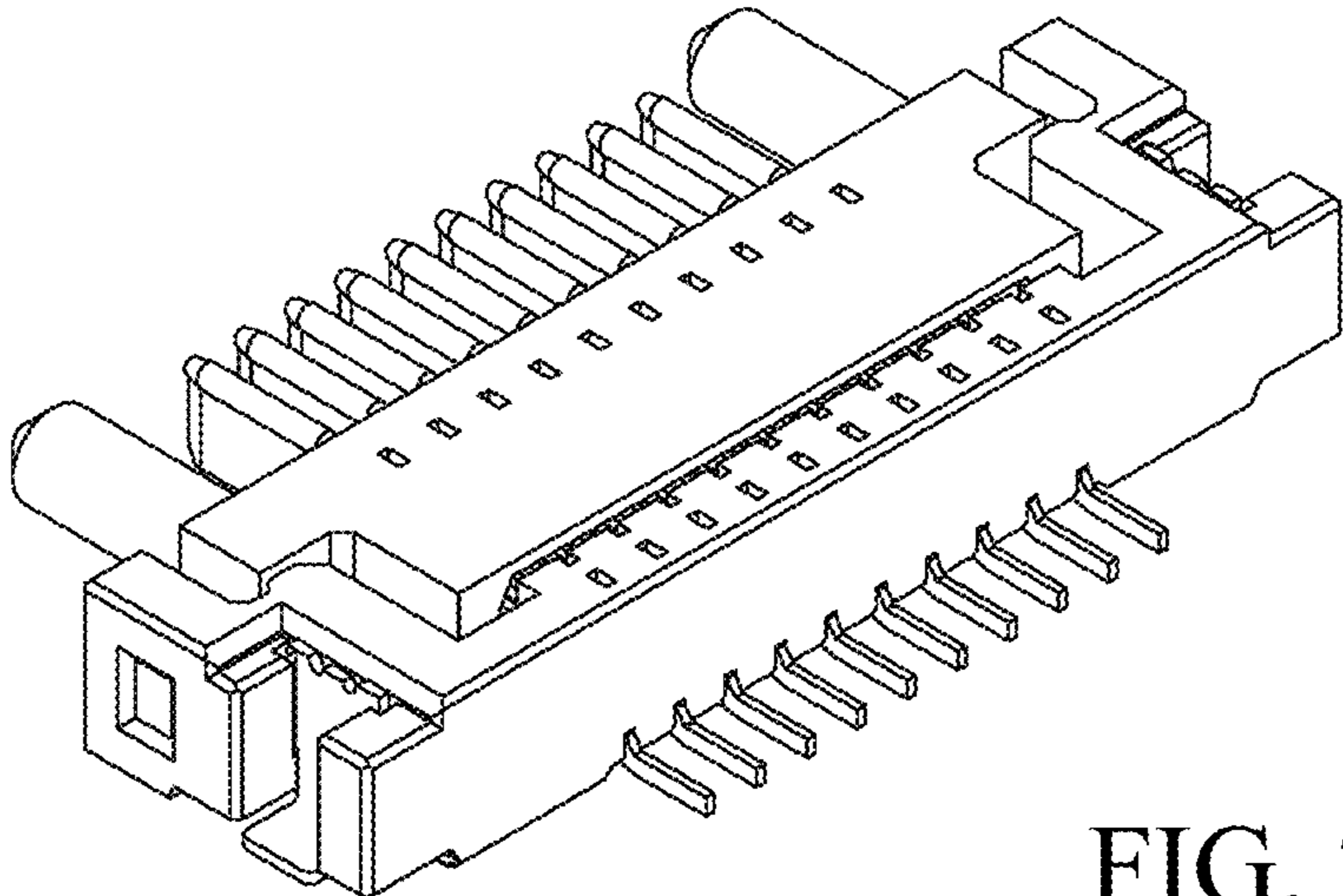


FIG. 2

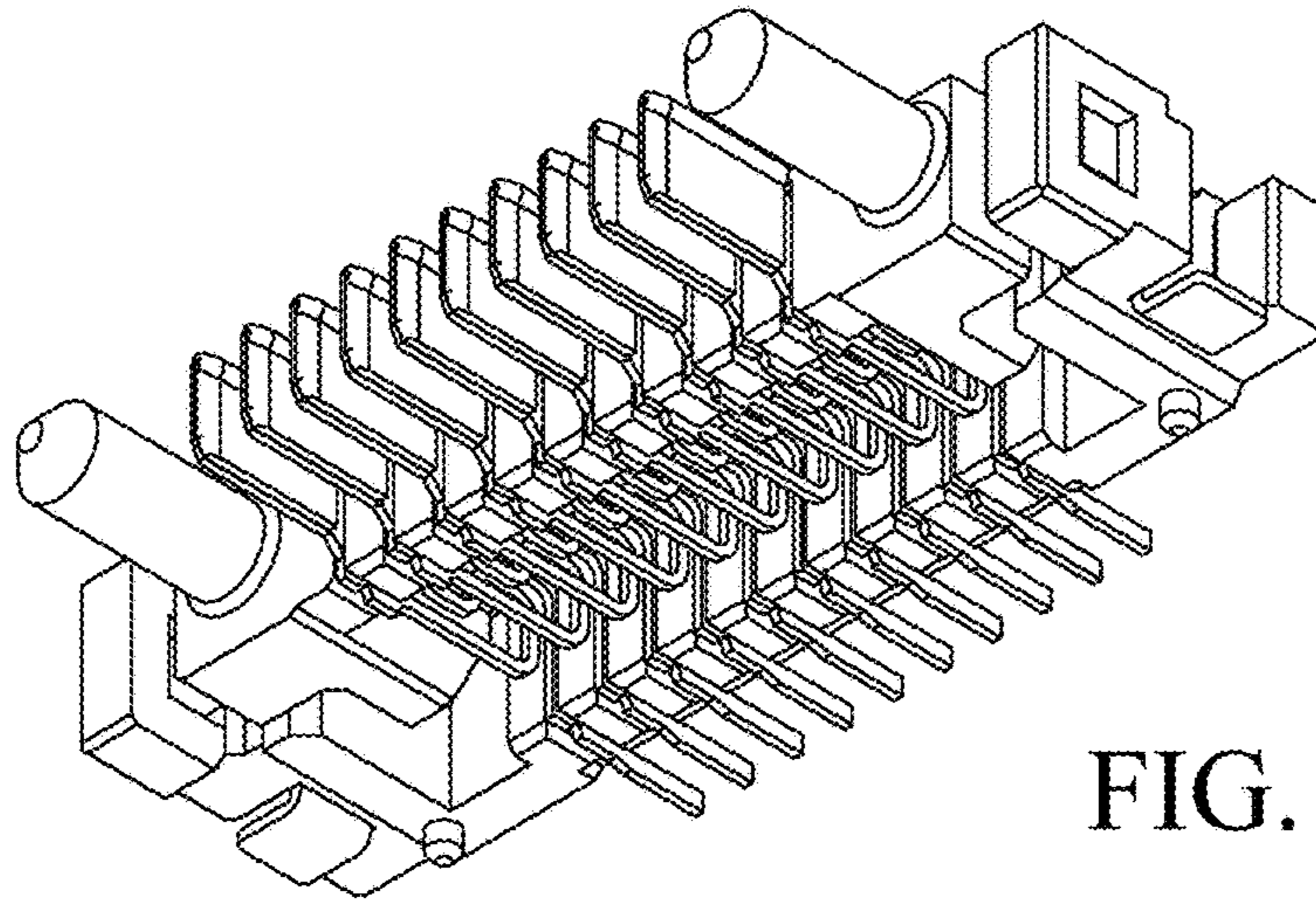


FIG. 3

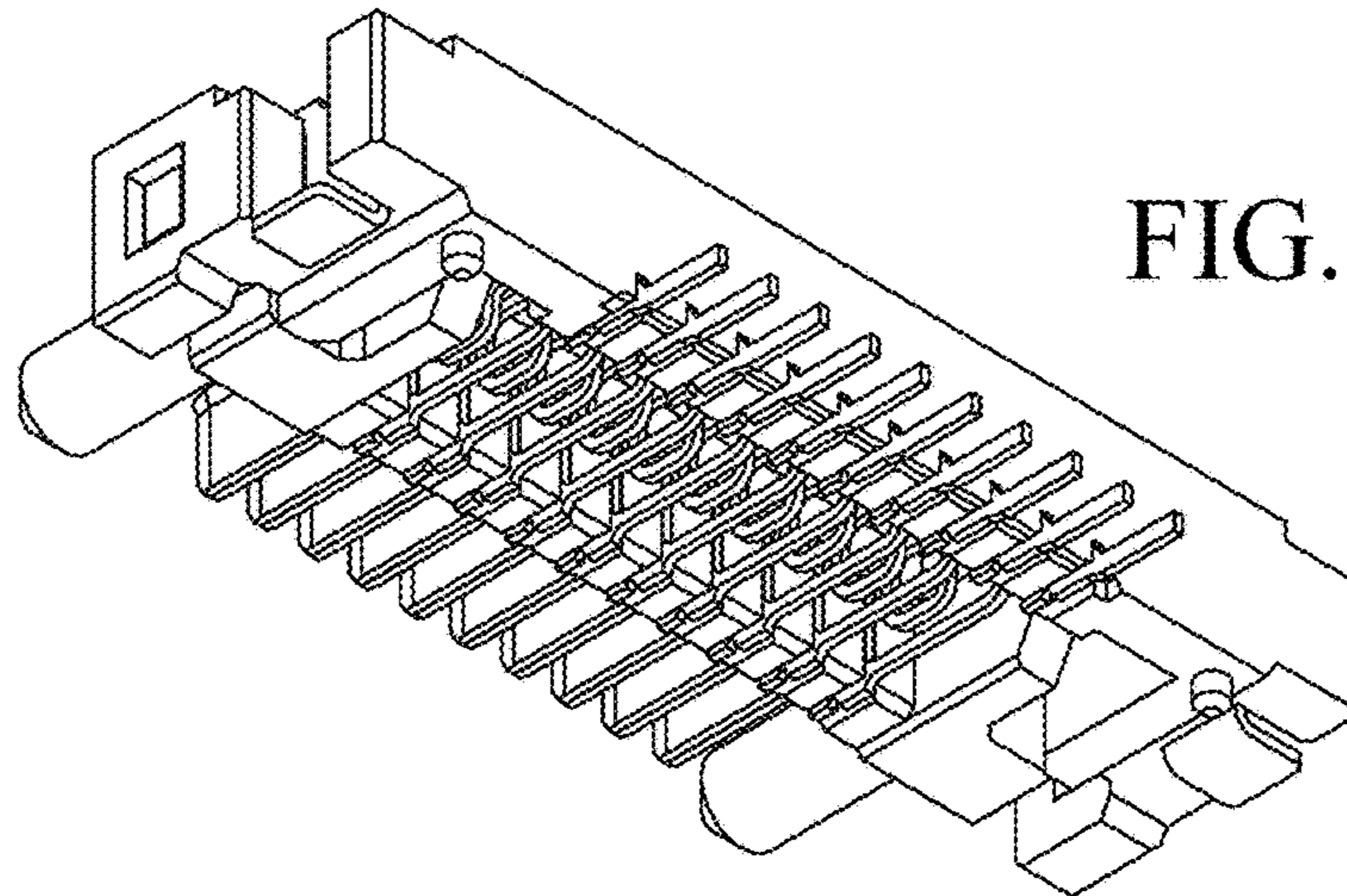


FIG. 4

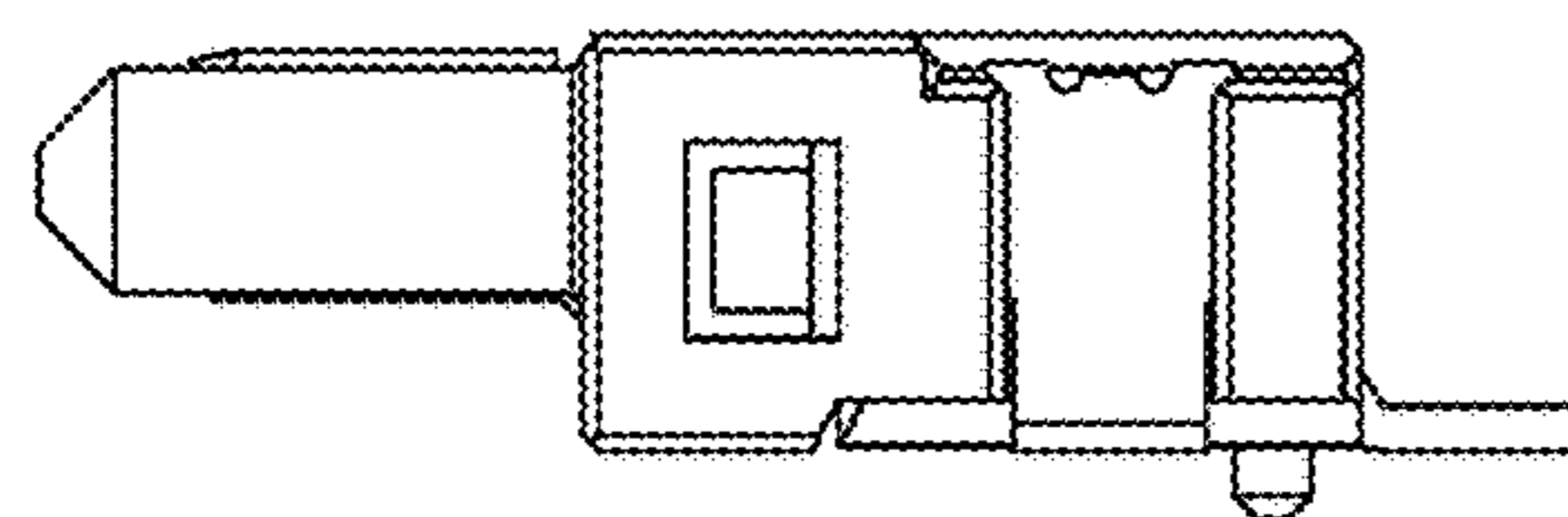


FIG. 5

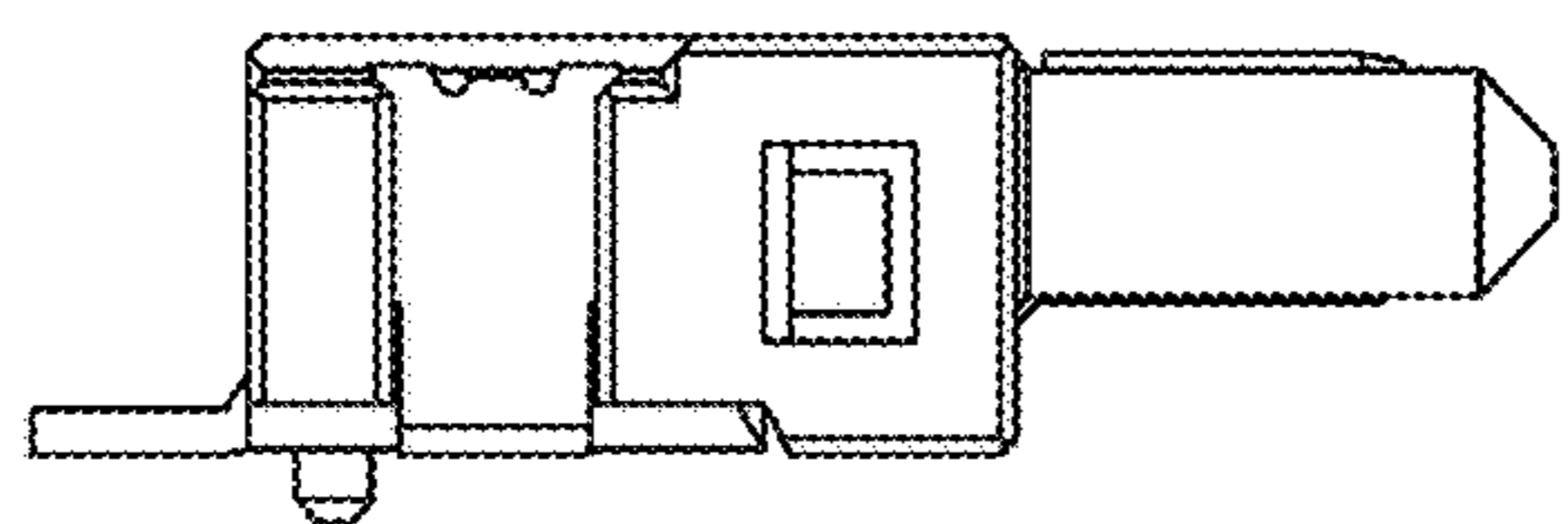


FIG. 6

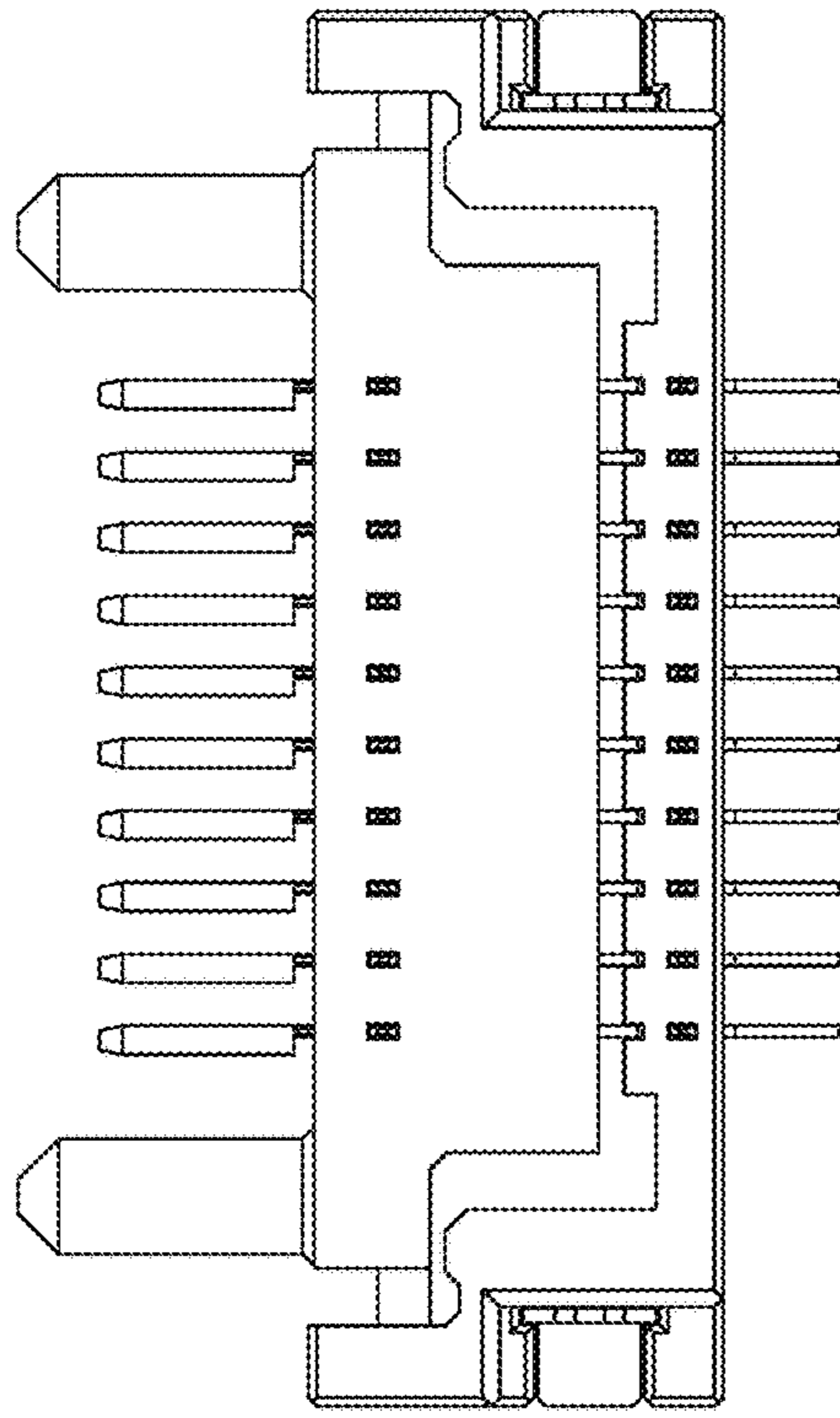


FIG. 7

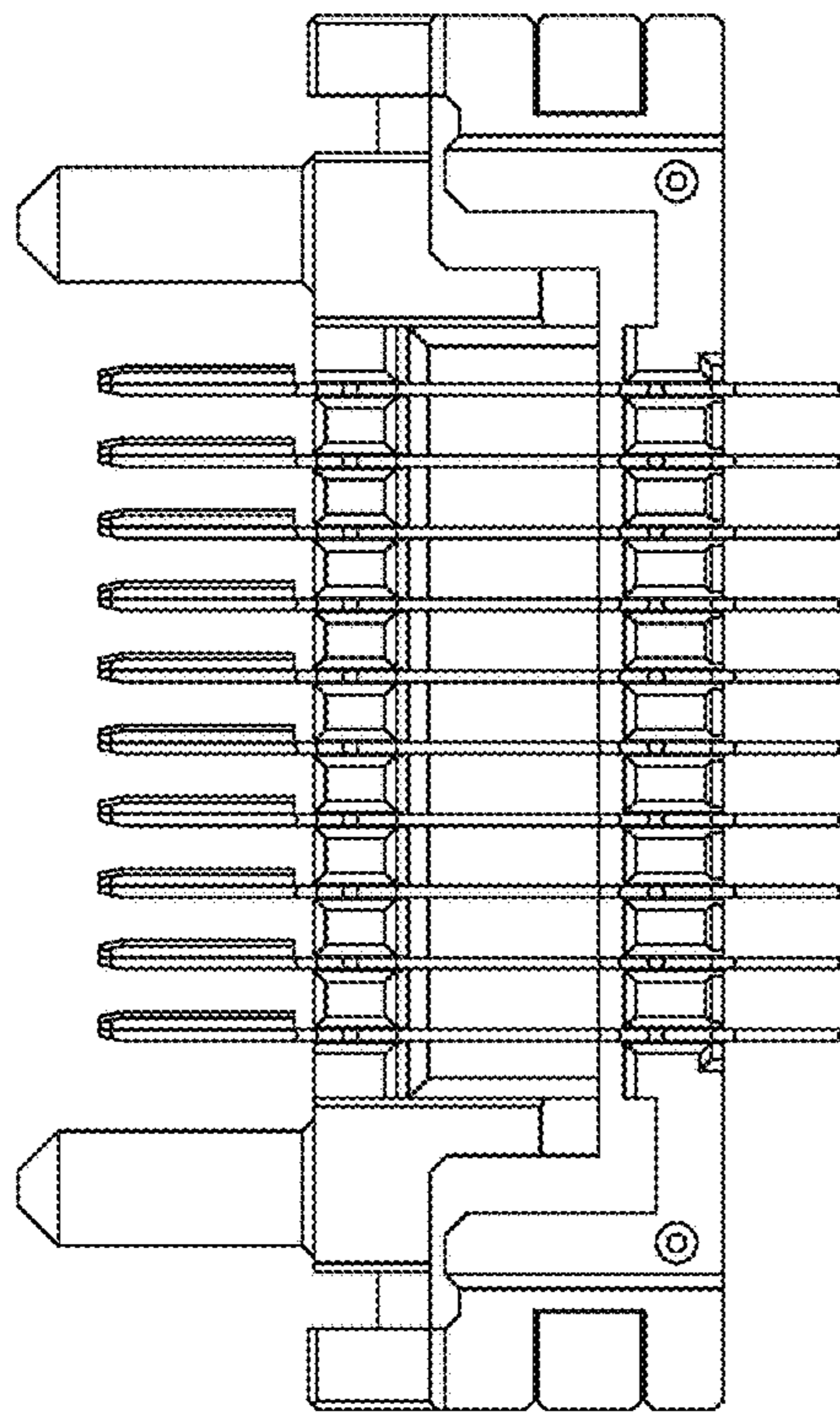


FIG. 8

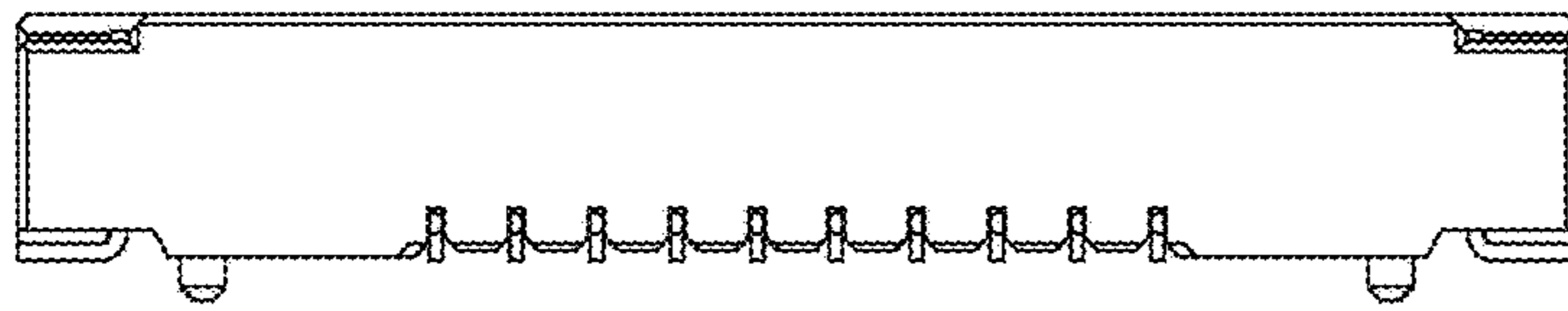


FIG. 9

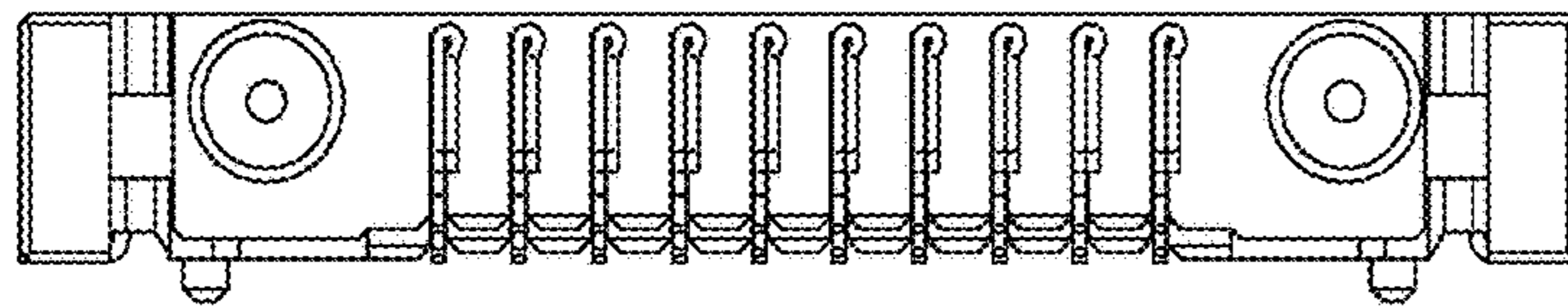


FIG. 10

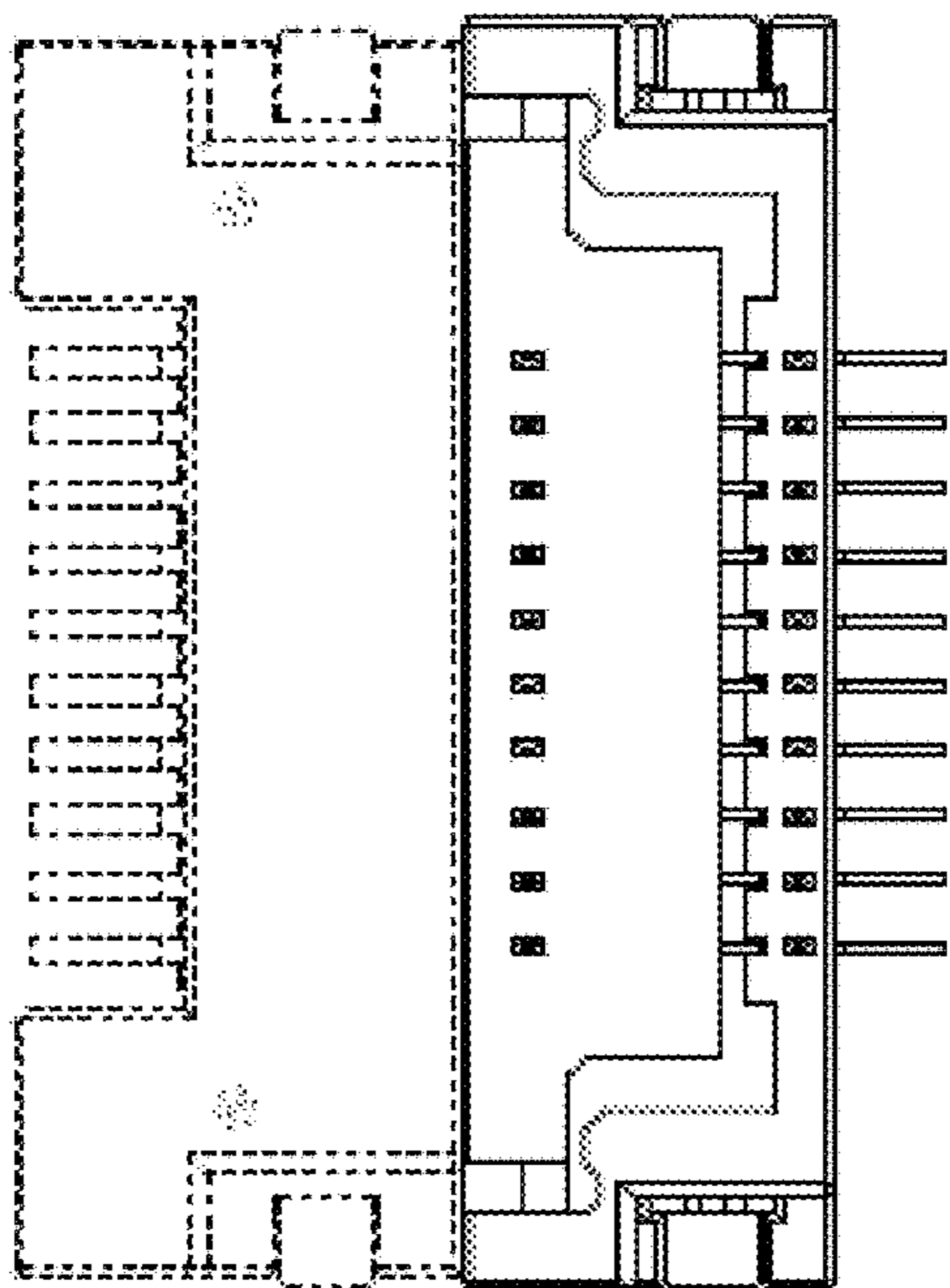


FIG. 11