

US00D835047S

(12) **United States Design Patent** (10) **Patent No.:** **US D835,047 S**
Bingham (45) **Date of Patent:** **** Dec. 4, 2018**

(54) **CONNECTOR**
(71) Applicant: **Molex, LLC**, Lisle, IL (US)
(72) Inventor: **John Bingham**, Plainfield, IL (US)
(73) Assignee: **Molex, LLC**, Lisle, IL (US)
(**) Term: **15 Years**
(21) Appl. No.: **29/594,001**

D691,564 S 10/2013 Honda
D696,200 S 12/2013 Kobuchi et al.
D703,143 S 4/2014 Yamaguchi
D726,119 S 4/2015 Yamaguchi
D726,120 S * 4/2015 Hou D13/147
D733,657 S 7/2015 Yuan et al.
D733,659 S 7/2015 Zhu
D751,989 S * 3/2016 Imai D13/147
D764,415 S * 8/2016 Qian D13/147
D775,084 S * 12/2016 Sato D13/147
D780,124 S * 2/2017 Qian D13/147
9,698,536 B2 * 7/2017 Little H01R 13/6583

(Continued)

(22) Filed: **Feb. 14, 2017**
(51) **LOC (11) Cl.** **13-03**
(52) **U.S. Cl.**
USPC **D13/147**
(58) **Field of Classification Search**
USPC D13/110, 118, 120, 123, 133, 145-147,
D13/149, 154, 156, 173, 184, 199
CPC H01R 12/00; H01R 12/51; H01R 12/70;
H01R 12/72; H01R 13/00; H01R 13/15;
H01R 13/62; H01R 13/627; H01R
13/639; H01R 13/64; H01R 13/65; H01R
24/60; H01R 43/16; H01R 9/00; H01R
9/03; H01R 13/52; H01R 13/6581; H01R
13/6583; H01R 13/6585; H01R 24/00
See application file for complete search history.

(56) **References Cited**
U.S. PATENT DOCUMENTS
D412,700 S 8/1999 Gardner et al.
D451,885 S 12/2001 Hisatomi et al.
D489,687 S 5/2004 Kawase et al.
D561,696 S 2/2008 Chen et al.
D576,556 S 9/2008 Lee et al.
D602,870 S 10/2009 Wu et al.
D641,705 S 7/2011 Sato et al.
D678,209 S 3/2013 Kondo et al.
D678,843 S 3/2013 Faith
D689,438 S 9/2013 Yu et al.
D689,439 S 9/2013 Yu et al.
D690,655 S 10/2013 Fu et al.

OTHER PUBLICATIONS

Molex Receptacle Assembly Speedstack Connector, Apr. 4, 2013, Lisle, Illinois, USA (8 Pages).

Primary Examiner — Angela J Lee
Assistant Examiner — Shawn T Gingrich
(74) *Attorney, Agent, or Firm* — Banner & Witcoff, Ltd.

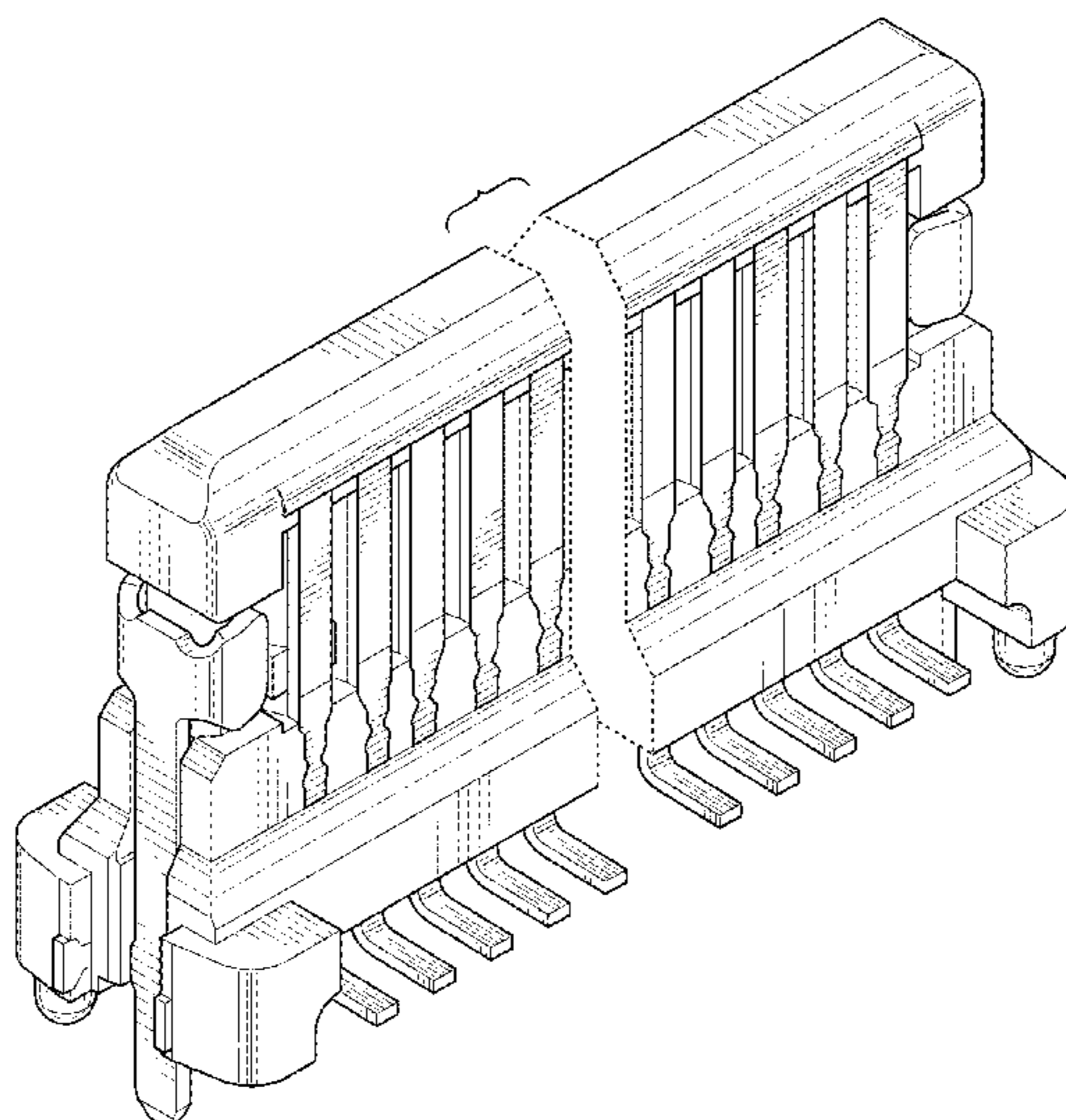
(57) **CLAIM**

The ornamental design for a connector, as shown and described.

DESCRIPTION

FIG. 1 is a front perspective view of a connector showing my new design;
FIG. 2 is a front view thereof;
FIG. 3 is a rear view thereof;
FIG. 4 is a top view thereof;
FIG. 5 is a bottom view thereof;
FIG. 6 is a right side view thereof; and,
FIG. 7 is a left side view thereof.
The broken lines represent boundaries and form no part of the claimed design.
The design is shown with a symbolic break in its length. The appearance of any portion between the break lines forms no part of the claimed design.

1 Claim, 7 Drawing Sheets



(56)

References Cited

U.S. PATENT DOCUMENTS

D798,239	S	9/2017	Ashibu	
9,780,492	B1*	10/2017	Wang	H01R 13/6471
2003/0224654	A1	12/2003	Wu	
2008/0207058	A1	8/2008	Zhu et al.	
2011/0086552	A1	4/2011	Yao et al.	
2012/0094542	A1	4/2012	Duenas et al.	
2012/0135618	A1	5/2012	Shen et al.	
2015/0340791	A1*	11/2015	Kao	H01R 24/60 439/676
2016/0164217	A1*	6/2016	Lee	H01R 13/5202 439/587
2016/0190746	A1*	6/2016	Goh	H01R 13/6471 439/626
2017/0187140	A1*	6/2017	Tsai	H01R 13/521
2017/0201052	A1*	7/2017	Peng	H01R 24/60
2017/0207565	A1*	7/2017	Guo	H01R 12/7064
2017/0346238	A1*	11/2017	Ju	H01R 13/6583
2017/0365951	A1*	12/2017	Zhang	H01R 13/64
2017/0373408	A1*	12/2017	Cheng	H01R 9/032
2017/0373439	A1*	12/2017	Wen	H01R 13/6581
2017/0373441	A1*	12/2017	Zhao	H01R 13/6581

* cited by examiner

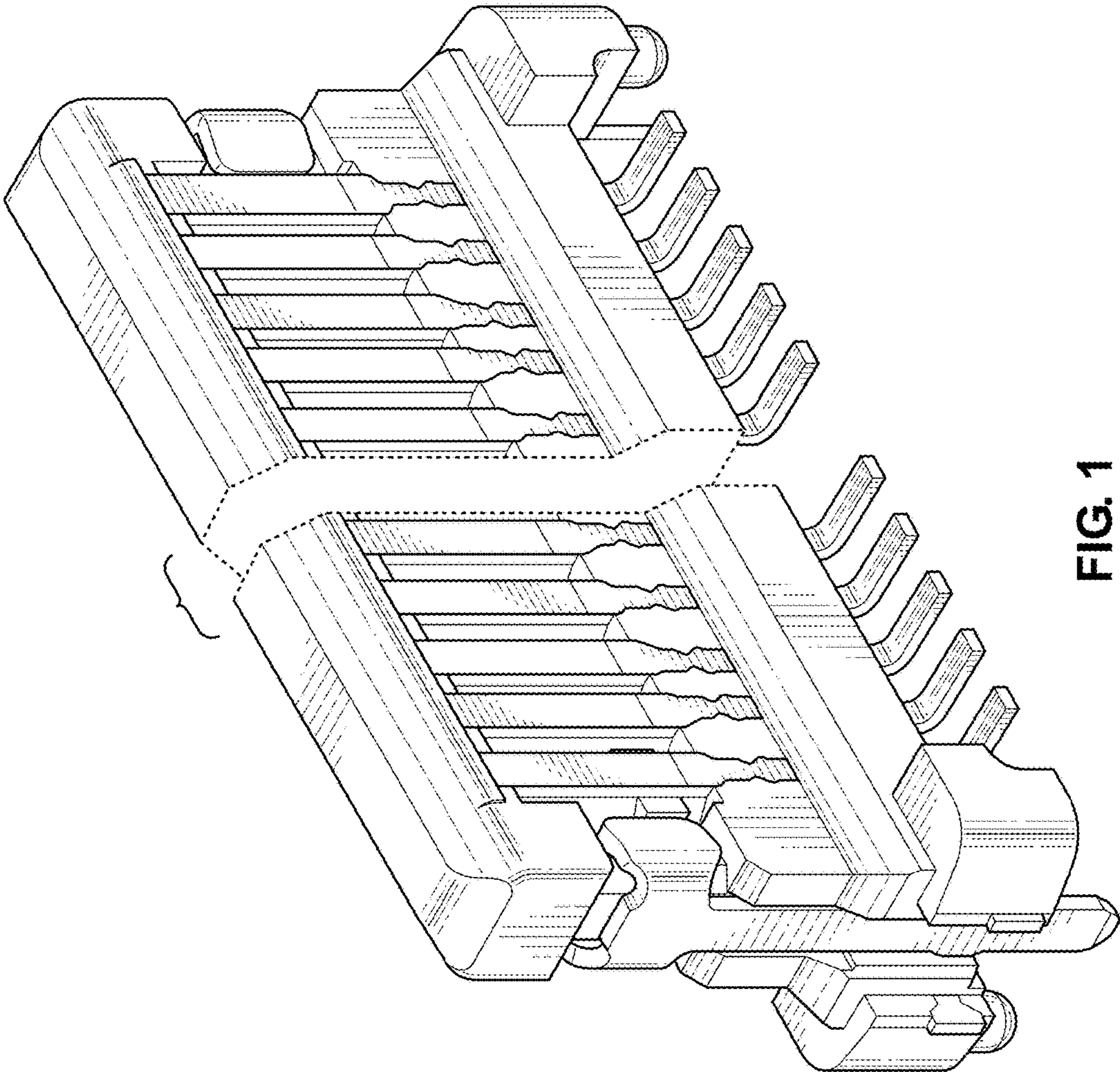


FIG. 1

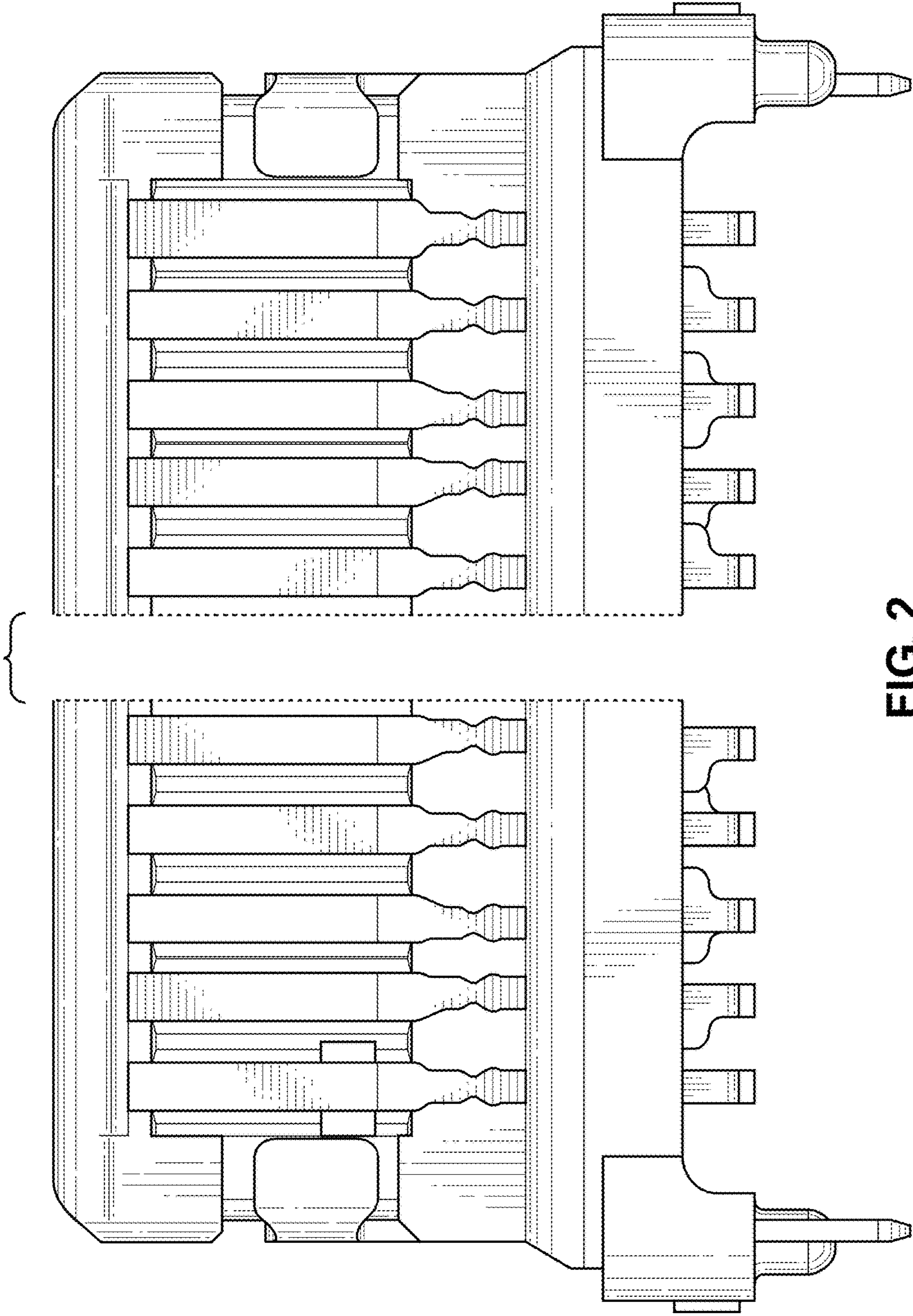


FIG. 2

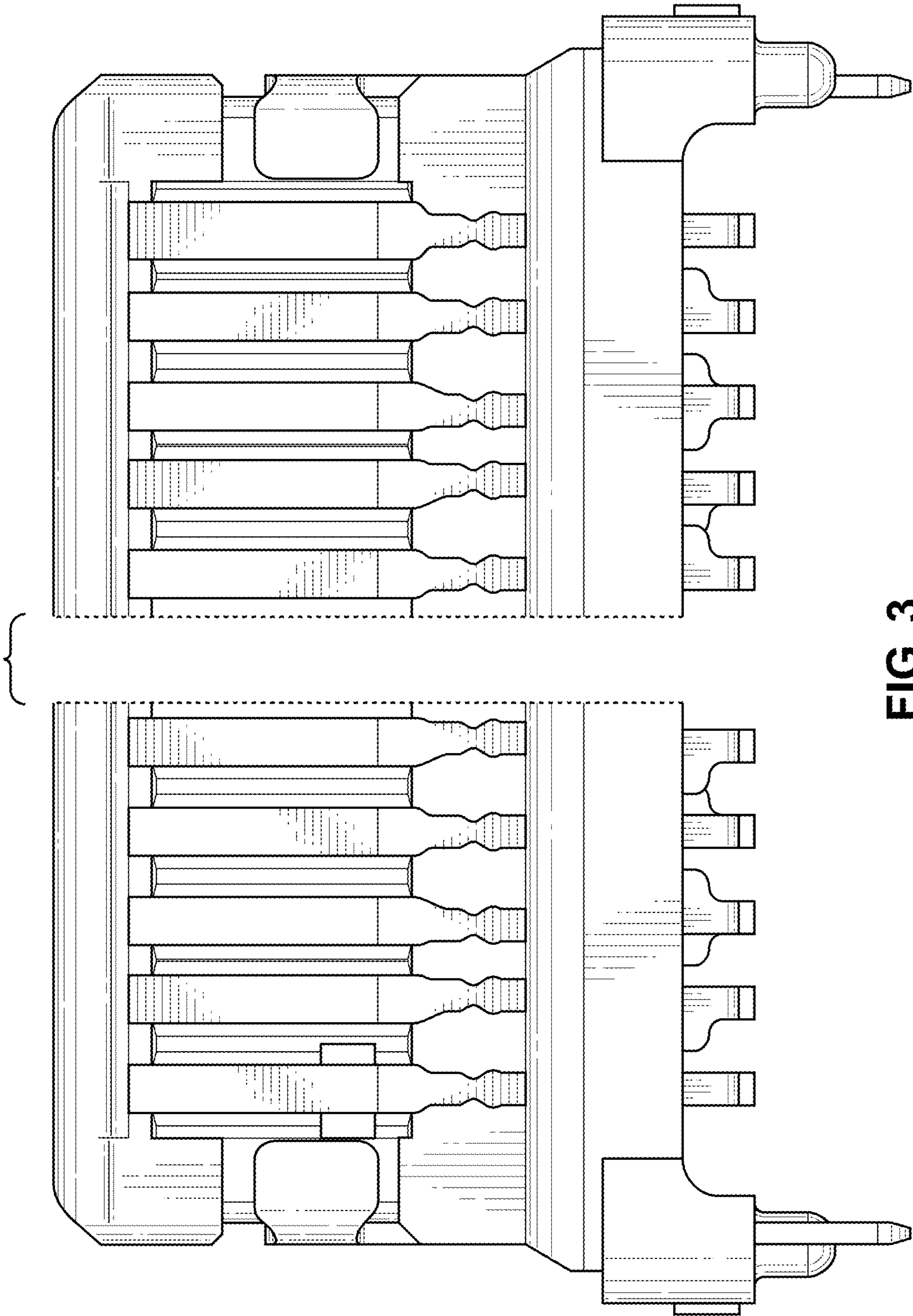


FIG. 3

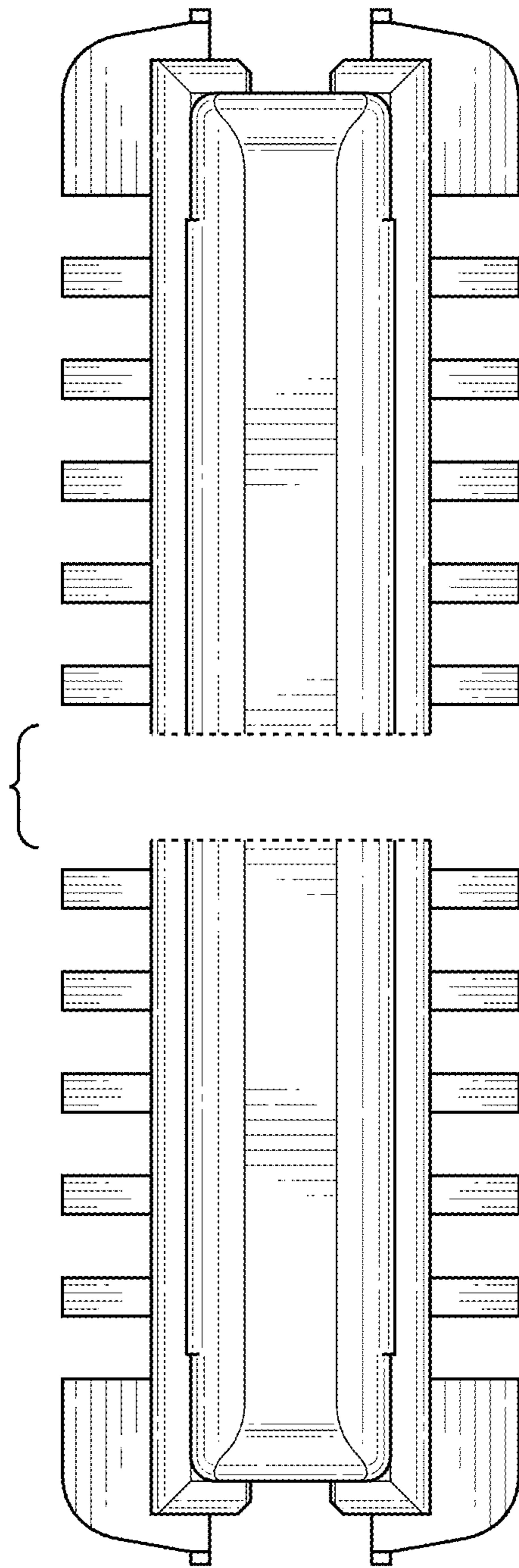


FIG. 4

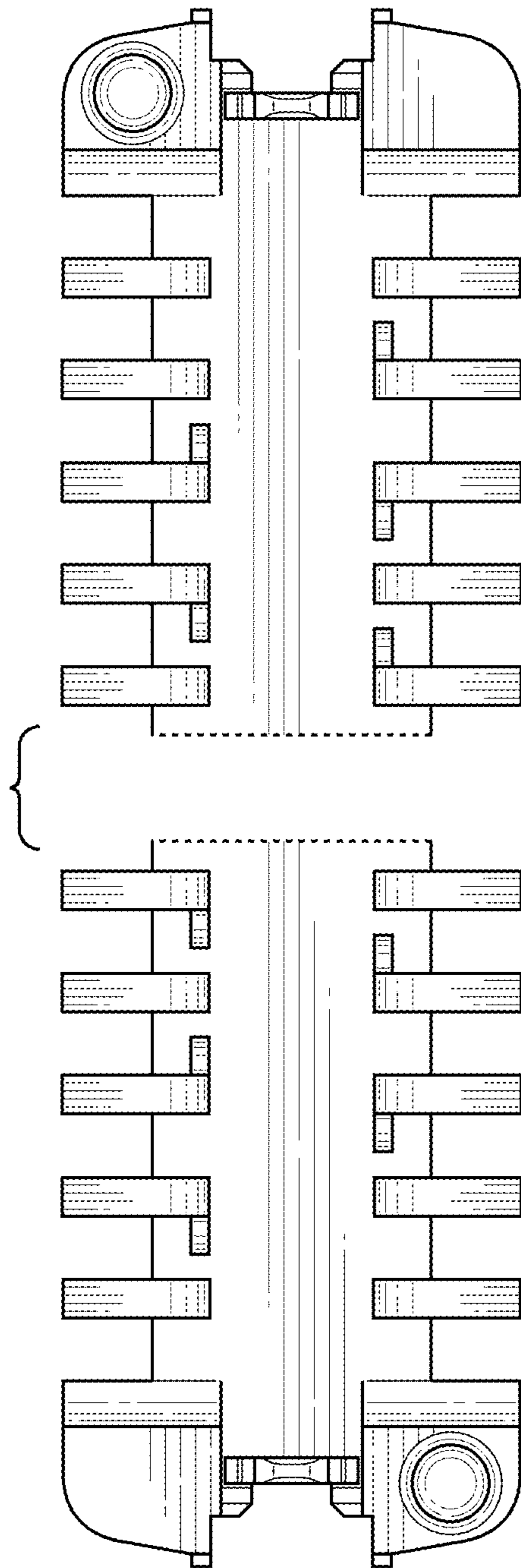


FIG. 5

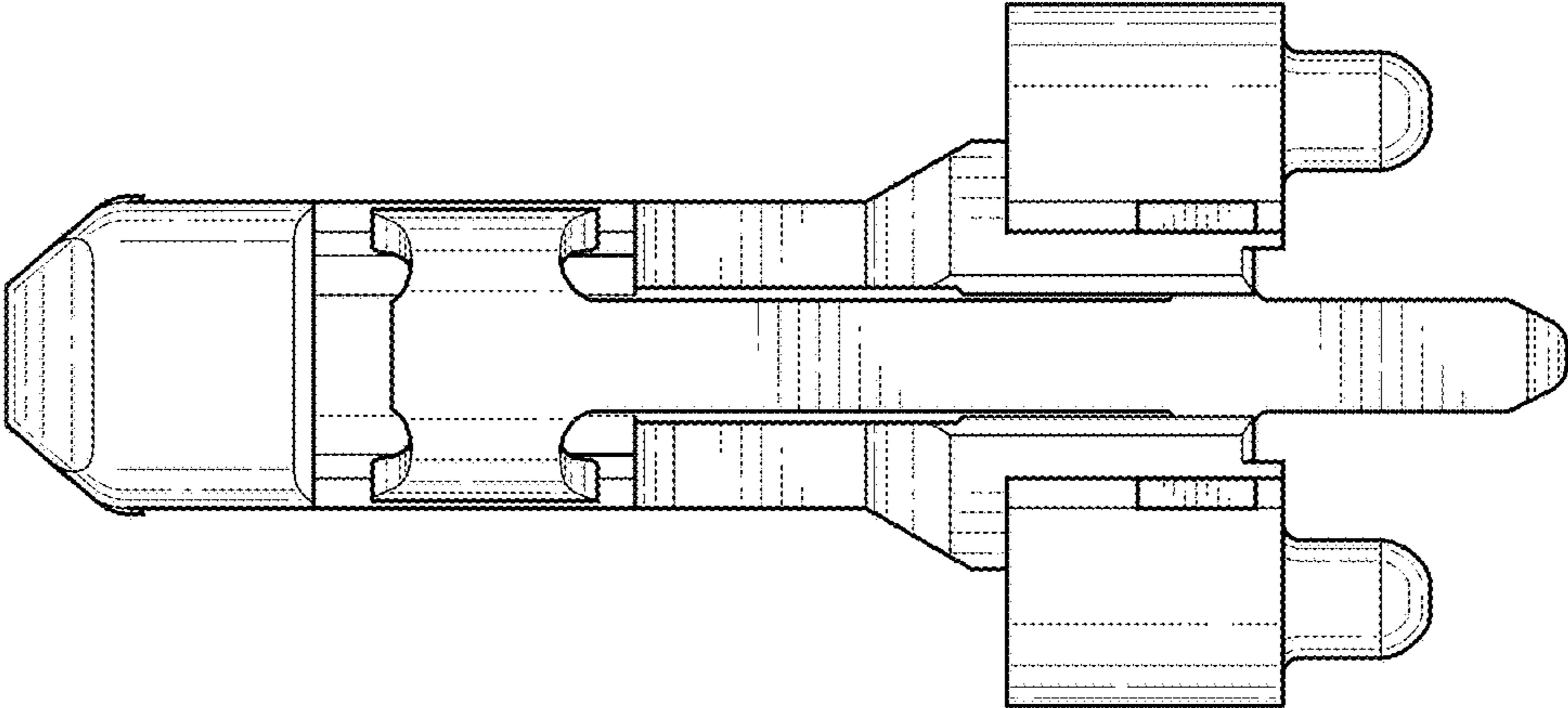


FIG. 6

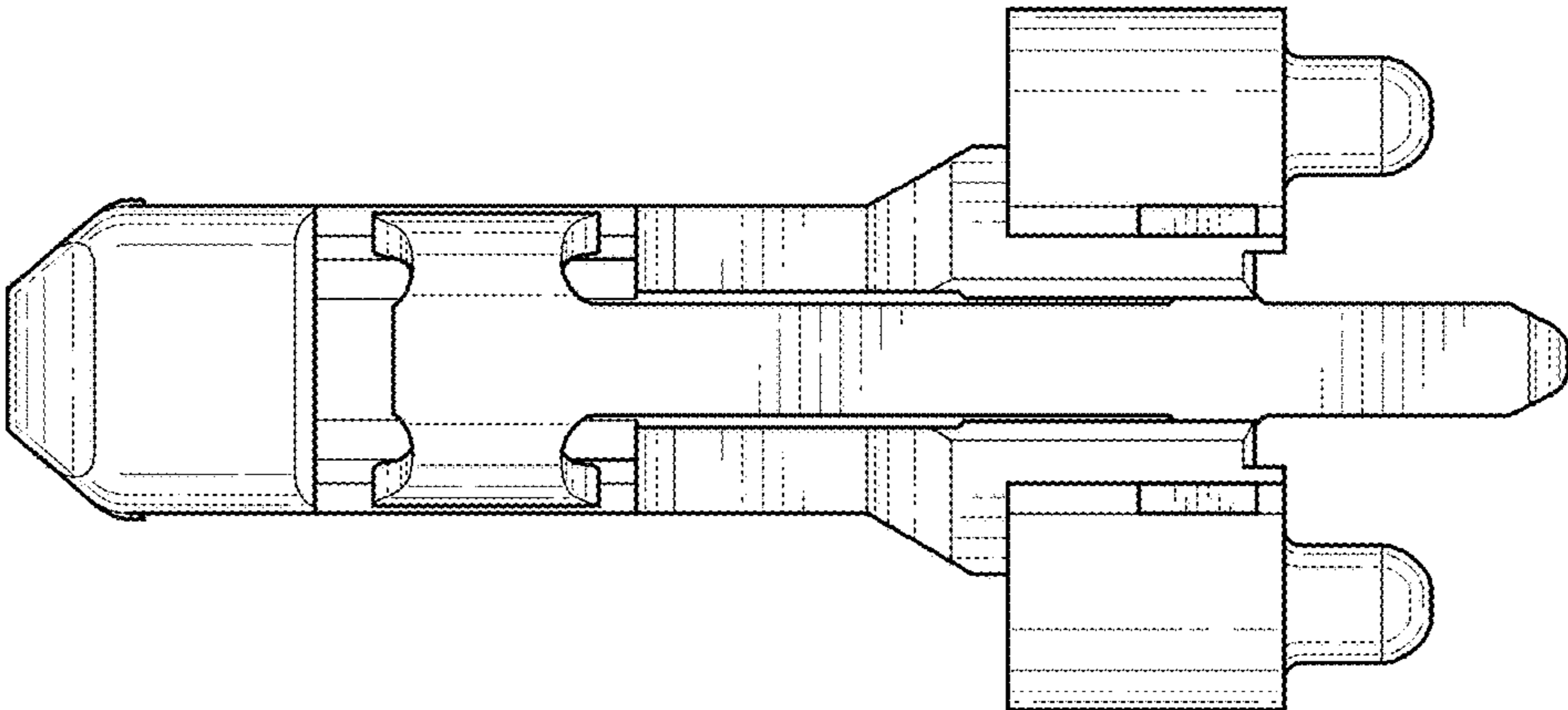


FIG. 7