

US00D835044S

(12) **United States Design Patent**
Ramanna et al.

(10) **Patent No.:** **US D835,044 S**

(45) **Date of Patent:** **** Dec. 4, 2018**

(54) **CONNECTOR HOUSING**

(71) Applicant: **Molex, LLC**, Lisle, IL (US)

(72) Inventors: **Nrupathunga Chakravarthy**
Somanathapura Ramanna, Bangalore
(IN); **KrishnaPrasad Somanath**,
Bangalore (IN); **Michael Gonzalez**,
Lisle, IL (US)

(73) Assignee: **Molex, LLC**, Lisle, IL (US)

(**) Term: **15 Years**

(21) Appl. No.: **29/595,850**

(22) Filed: **Mar. 2, 2017**

(51) **LOC (11) Cl.** **13-03**

(52) **U.S. Cl.**
USPC **D13/146**

(58) **Field of Classification Search**
USPC D13/133, 146, 147, 154, 156, 184, 199;
D14/432, 433, 434, 435.1, 438
CPC .. H01R 13/506; H01R 13/516; H01R 13/518;
H01R 13/58; H01R 13/627; H01R
13/6315; H01R 13/6453; H01R 13/6586;
H01R 13/6597

See application file for complete search history.

(56) **References Cited**

U.S. PATENT DOCUMENTS

3,622,942	A	11/1971	Rynk
4,029,896	A	6/1977	Skinner
4,108,527	A	8/1978	Douty et al.
D251,906	S	5/1979	Frantz et al.
4,986,766	A	1/1991	Leonard et al.
D322,954	S	1/1992	Avramovich
5,391,092	A	2/1995	Sumida
D379,177	S	5/1997	Chu
D385,849	S	11/1997	Mathews et al.
5,685,731	A	11/1997	Lin

5,762,520	A	6/1998	Martin
5,908,327	A	6/1999	Tsuji et al.
5,928,038	A	7/1999	Berg et al.
7,217,161	B1	5/2007	Tyler et al.
D547,722	S	7/2007	Harano et al.
D555,593	S	11/2007	Harano et al.
D626,068	S	10/2010	Giefers et al.
D678,201	S *	3/2013	Corona D13/133
D678,838	S	3/2013	Henrink et al.
D682,793	S	5/2013	Igelmund
D691,560	S	10/2013	Wang
8,678,846	B2	3/2014	Hitchcock et al.
D714,724	S	10/2014	Vogelmann
D726,117	S *	4/2015	Valdez D13/147
D735,671	S *	8/2015	Kuhnert D13/146
D774,466	S	12/2016	Corona
D784,928	S *	4/2017	Armocost D13/146

(Continued)

FOREIGN PATENT DOCUMENTS

WO 2008/148748 A1 12/2008

Primary Examiner — Daniel Bui

(74) *Attorney, Agent, or Firm* — Banner & Witcoff, Ltd.

(57) **CLAIM**

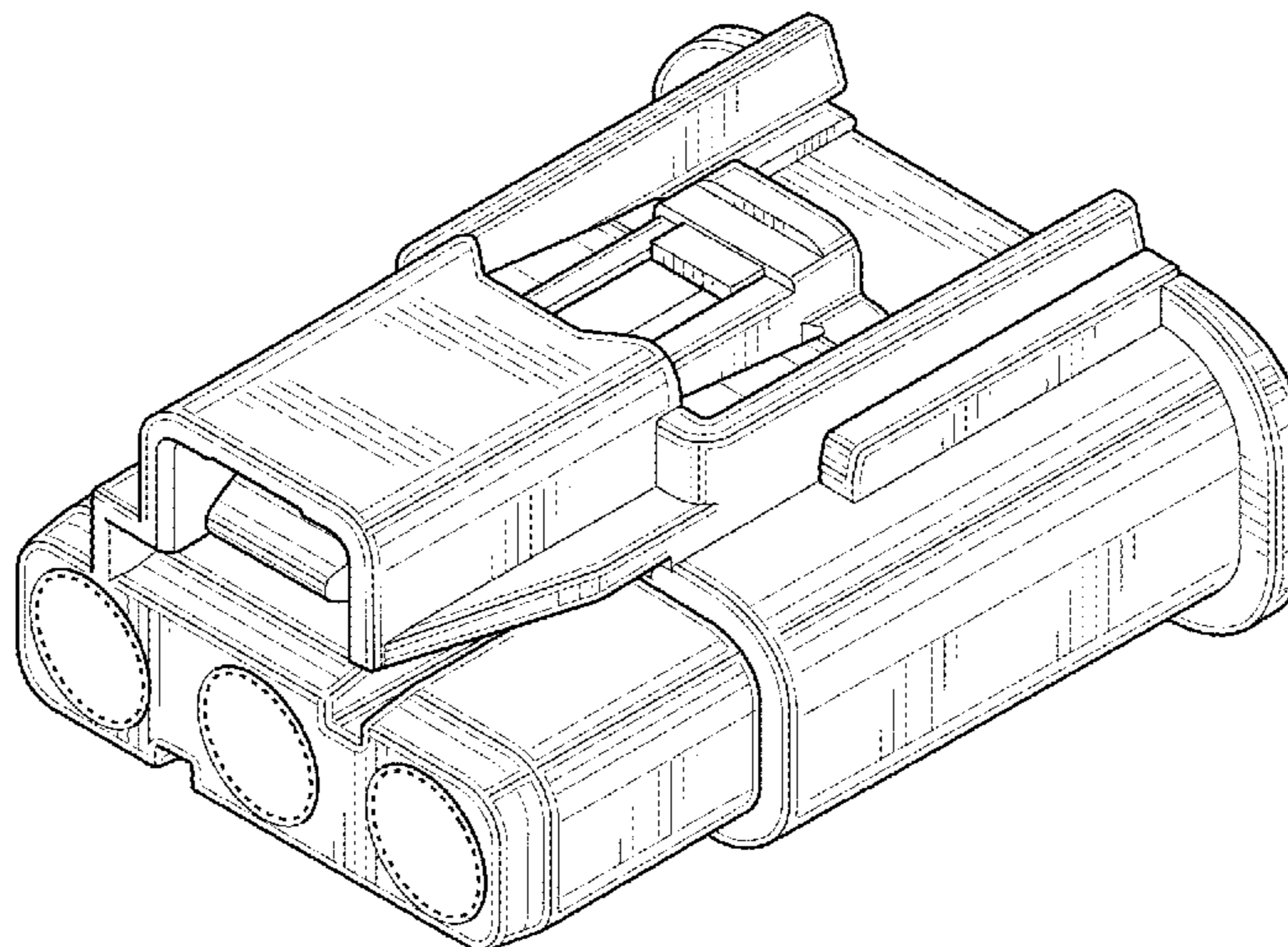
The ornamental design for a connector housing, as shown and described.

DESCRIPTION

FIG. 1 is a front perspective view of a connector housing showing our new design;
FIG. 2 is a top view thereof;
FIG. 3 is a bottom view thereof;
FIG. 4 is a right side view thereof;
FIG. 5 is a left side view thereof;
FIG. 6 is a rear view thereof; and,
FIG. 7 is a front view thereof.

The broken lines depicting the remainder of the connector housing show features that form no part of the claimed design.

1 Claim, 7 Drawing Sheets



(56)

References Cited

U.S. PATENT DOCUMENTS

D789,302 S	*	6/2017	Hsu	D13/147
D798,237 S		9/2017	Peng	
2010/0105238 A1		4/2010	Good	
2013/0109225 A1		5/2013	Liu	
2013/0130534 A1		5/2013	Ohkuma	

* cited by examiner

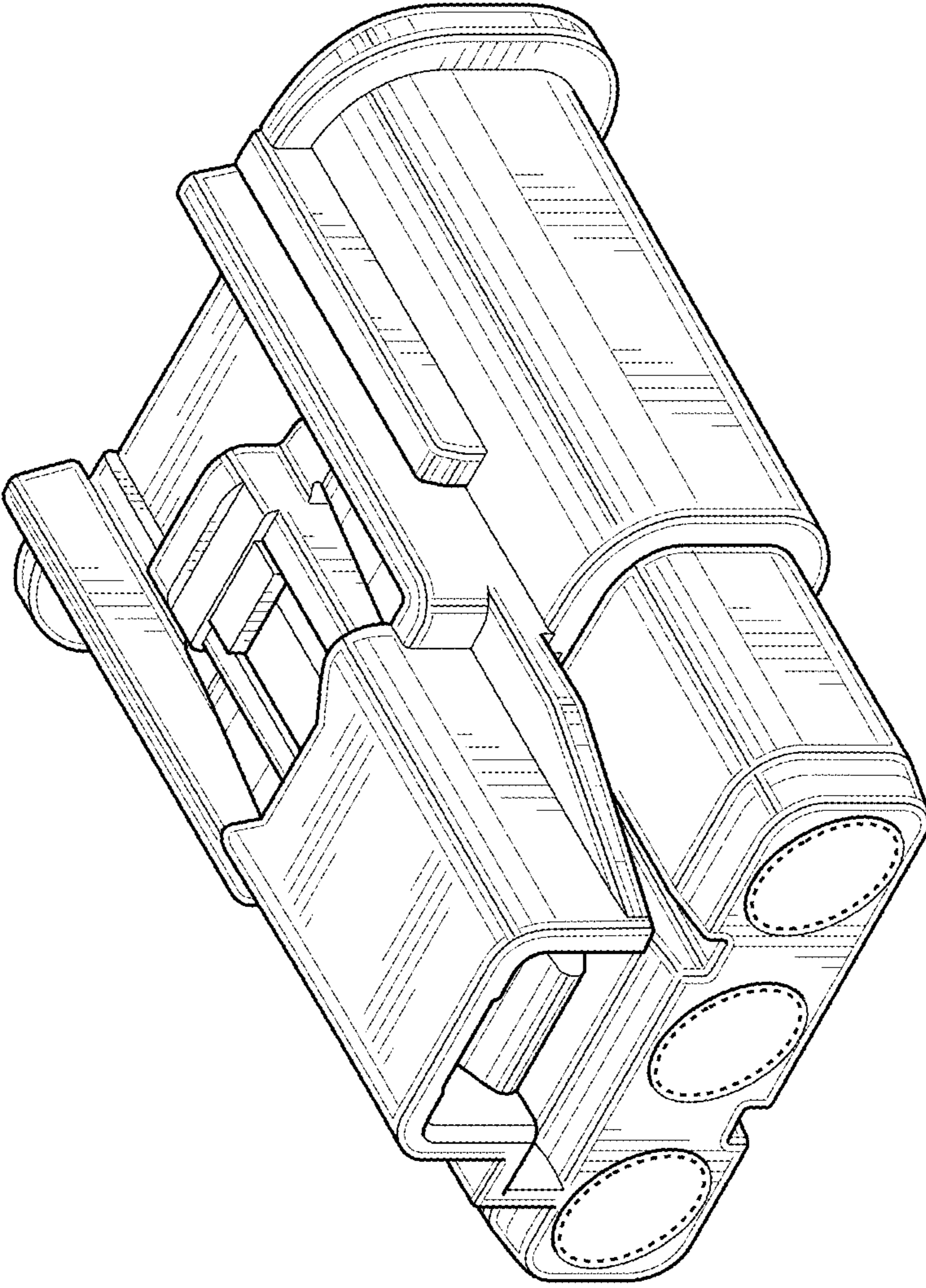


FIG. 1

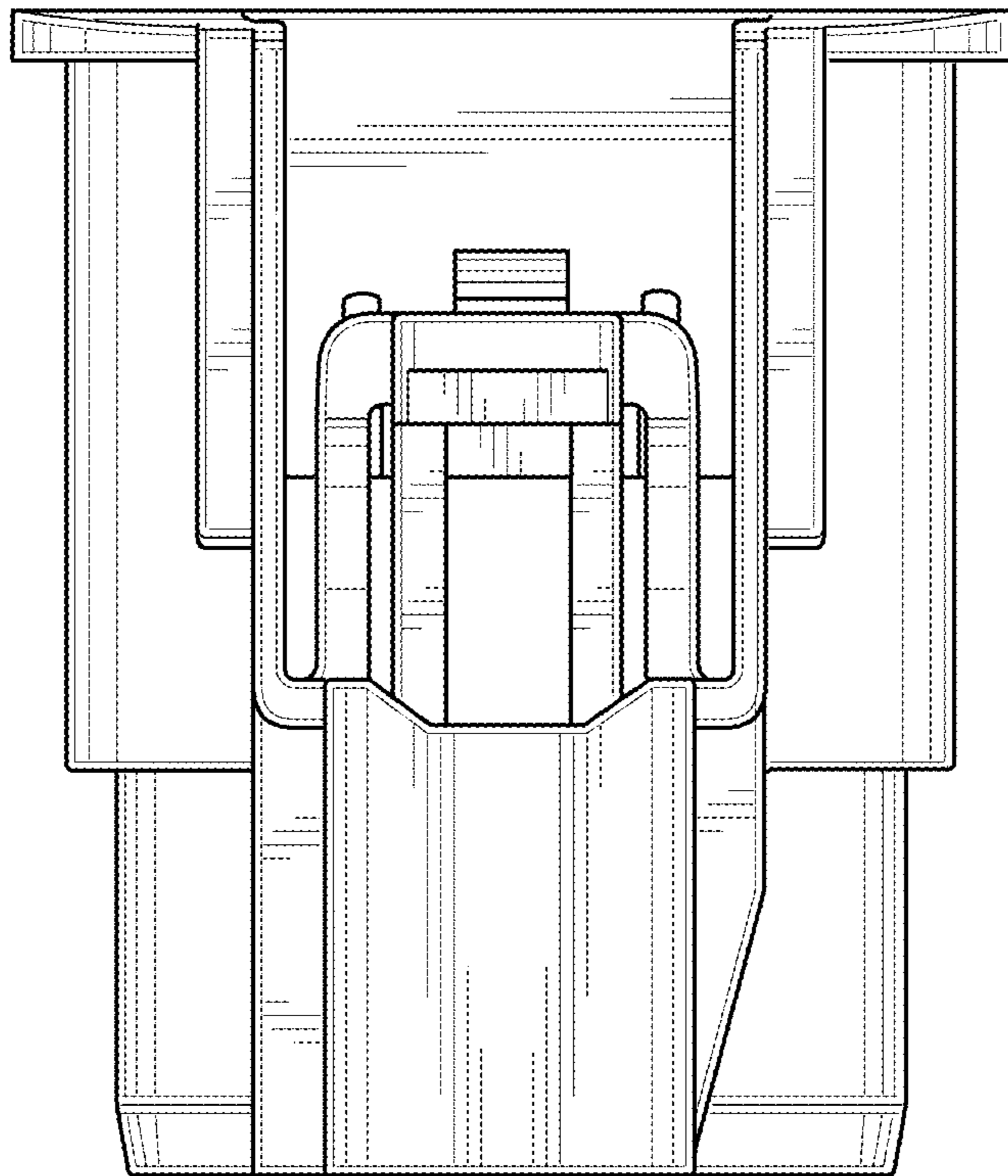


FIG. 2

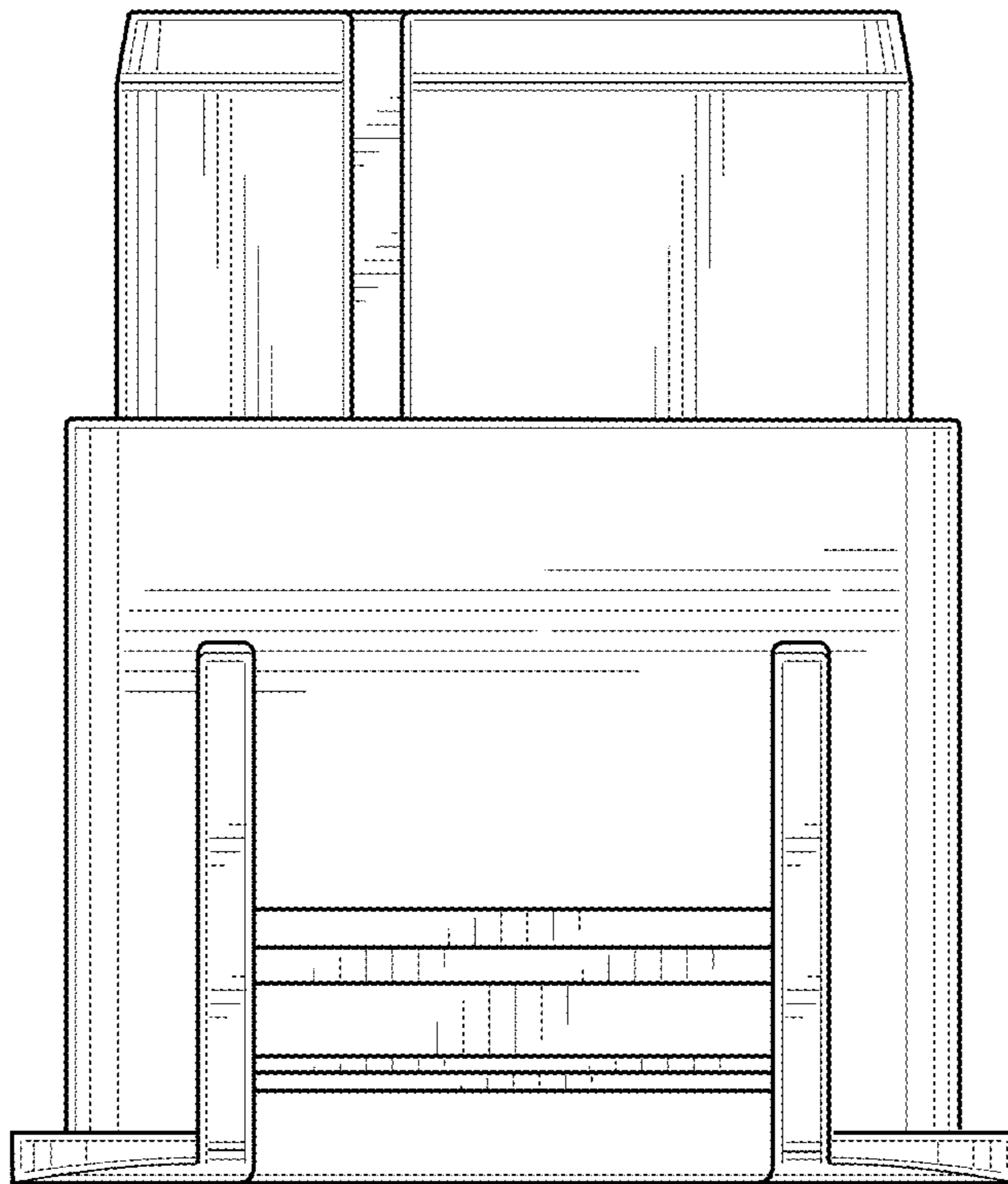


FIG. 3

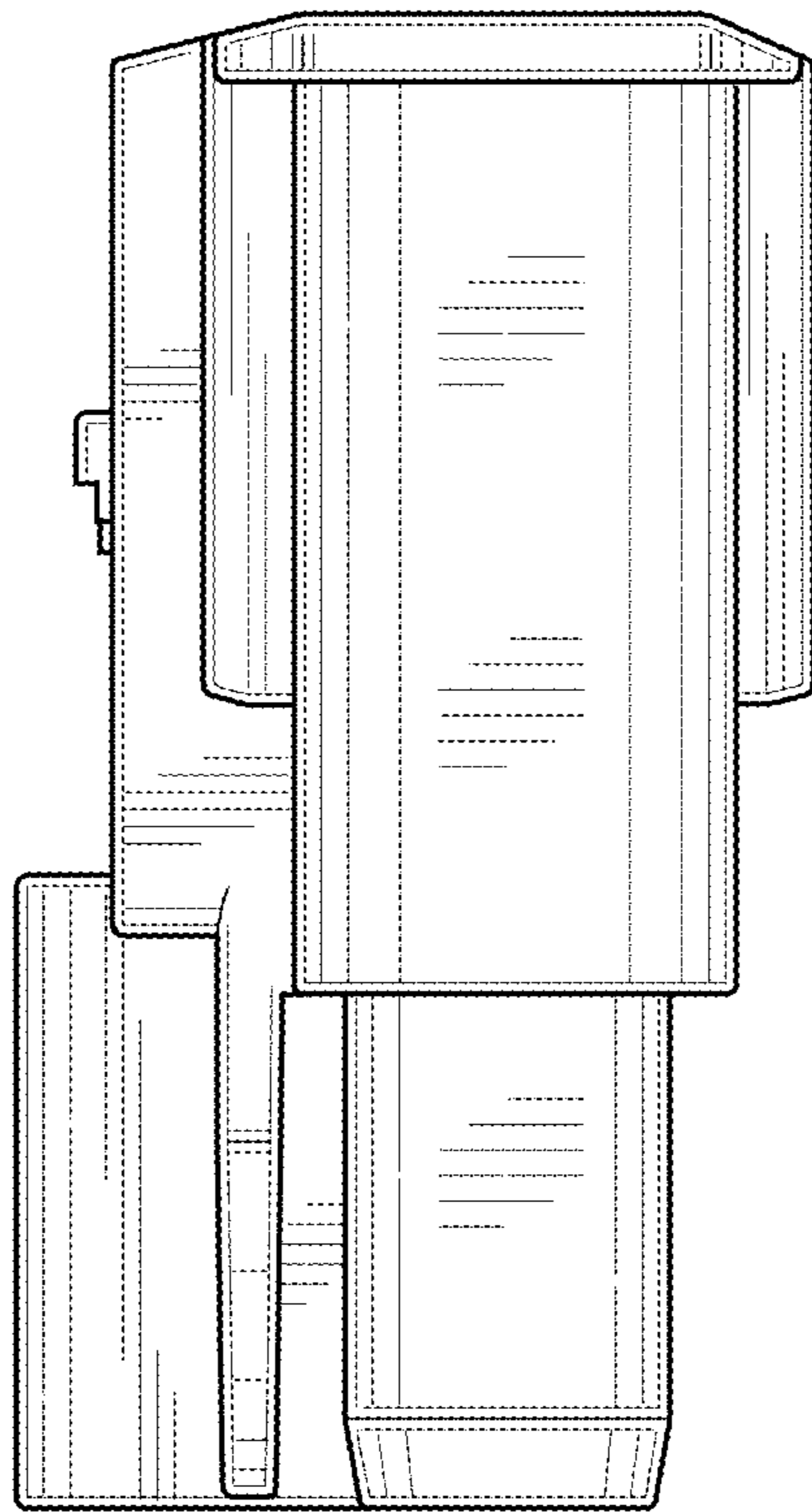


FIG. 4

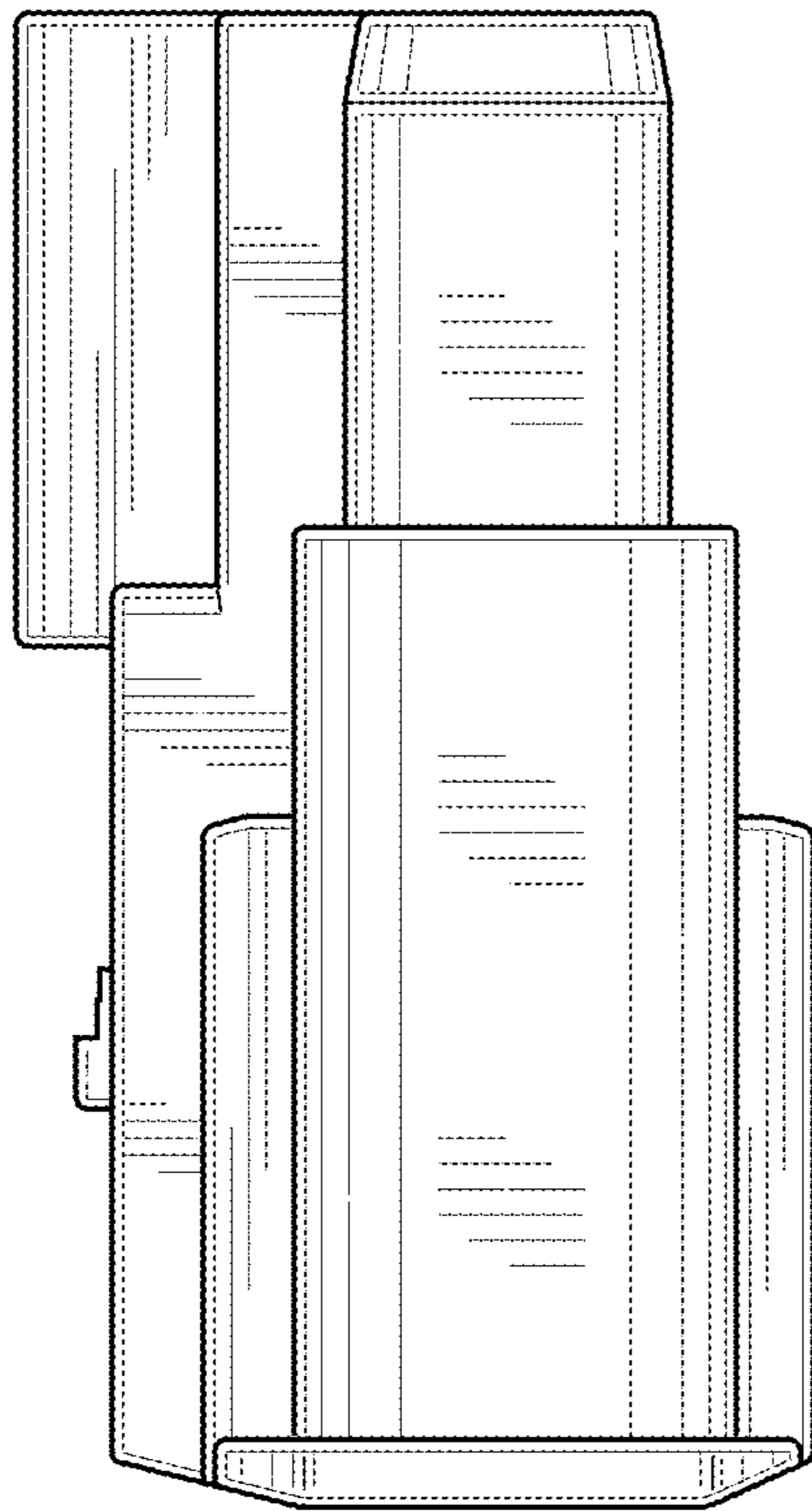


FIG. 5

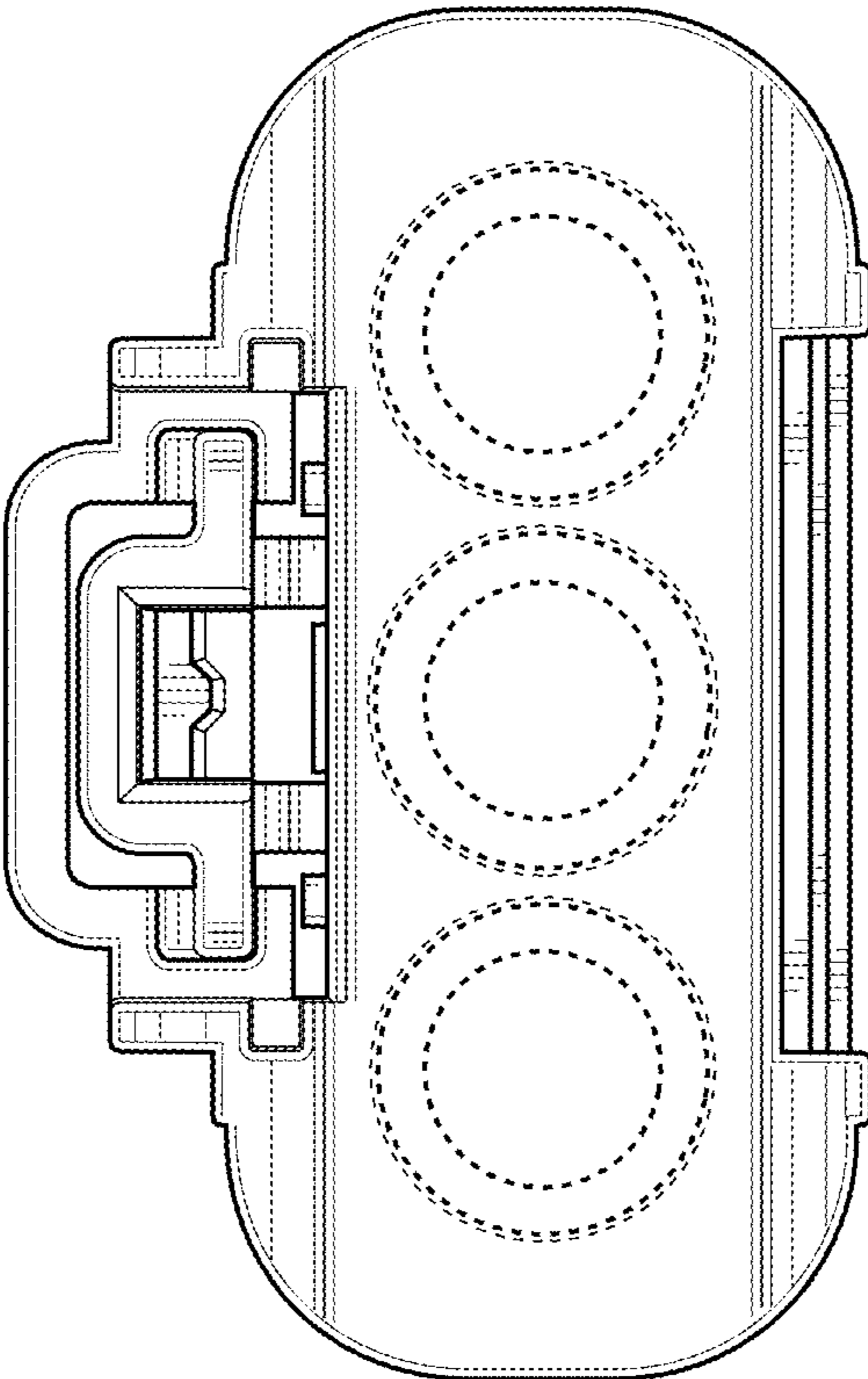


FIG. 6

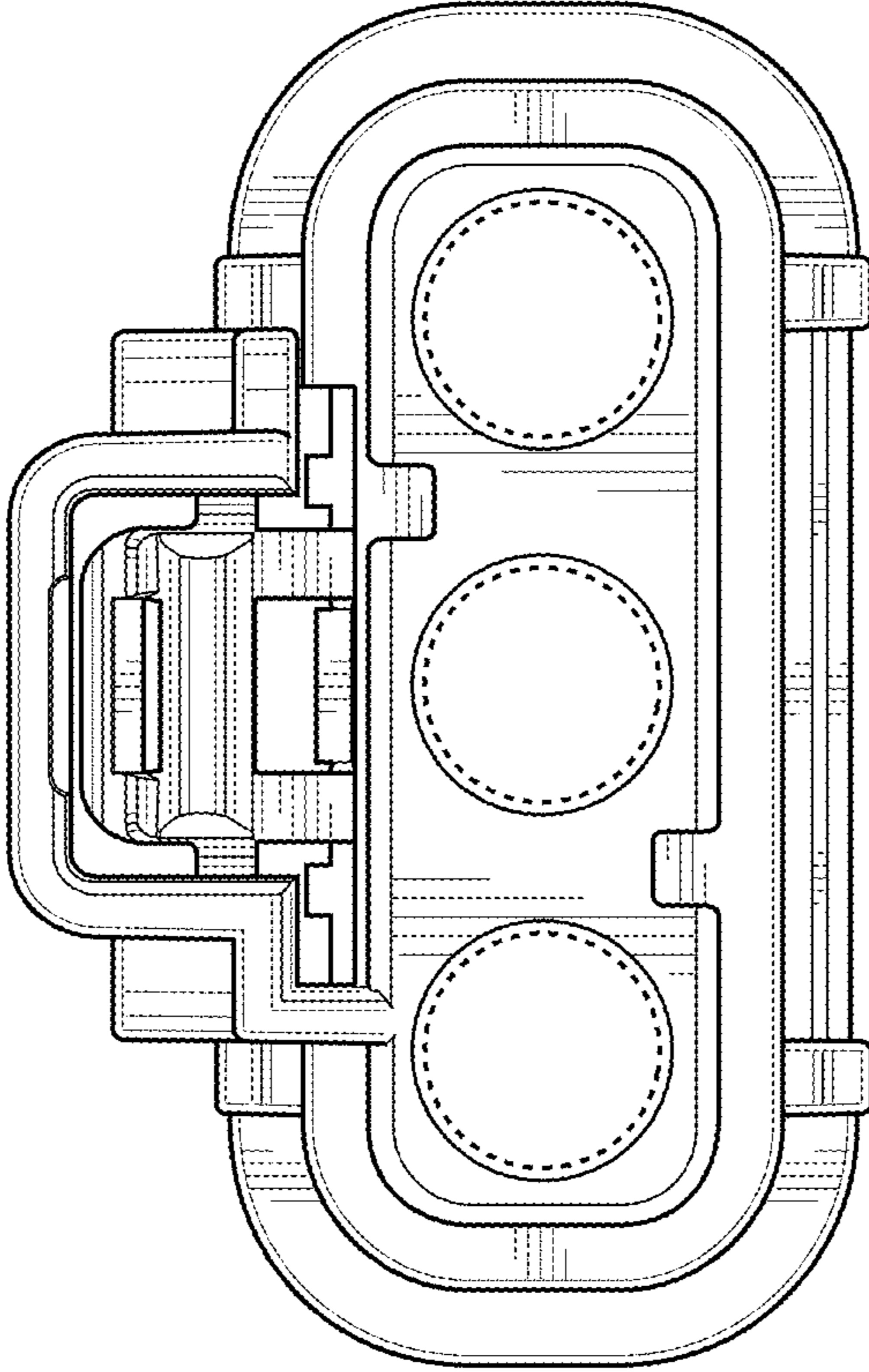


FIG. 7