



US00D835043S

(12) **United States Design Patent**
Liao et al.

(10) **Patent No.:** **US D835,043 S**
(45) **Date of Patent:** **** Dec. 4, 2018**

(54) **INTELLIGENT SOCKET**

(71) Applicant: **Shenzhen Tomtop Technology Co., Ltd.**, Shenzhen, Guangdong (CN)

(72) Inventors: **Xin Hui Liao**, Guangdong (CN); **Liu Gui Chen**, Guangdong (CN)

(73) Assignee: **Shenzhen Tomtop Technology Co., Ltd.**, Shenzhen (CN)

(**) Term: **15 Years**

(21) Appl. No.: **29/600,974**

(22) Filed: **Apr. 18, 2017**

(51) **LOC (11) Cl.** **13-03**

(52) **U.S. Cl.**
USPC **D13/137.3**

(58) **Field of Classification Search**
USPC D13/108, 110, 123, 133, 137.1–137.4,
D13/138.1–138.2, 139.1–139.8, 152–154,
D13/146, 147, 156, 158; D14/433;
D8/350–353
CPC H01R 11/00; H01R 9/00; H01R 25/00;
H01R 25/006; H01R 13/11; H01R 24/76
See application file for complete search history.

(56) **References Cited**

U.S. PATENT DOCUMENTS

D666,968 S * 9/2012 Huang D13/110
D713,788 S * 9/2014 Hasegawa D13/110
D722,020 S * 2/2015 Benedict D13/110
D732,472 S * 6/2015 Laffon D13/110
D750,022 S * 2/2016 Lin D13/137.2

D755,127 S * 5/2016 Wong D13/137.2
D783,534 S * 4/2017 Visel D13/133
D810,681 S * 2/2018 Ji D13/110

OTHER PUBLICATIONS

Amazon.com: Koogeek Smart Plug. Published Mar. 14, 2017. Retrieved from the internet at <<https://www.amazon.com/dp/B06XKTM46R/>>, Feb. 24, 2018. 1 page.*
Trademark for Koogeek. Filed Oct. 19, 2015.*

* cited by examiner

Primary Examiner — Rosemary K Tarcza

Assistant Examiner — Christy M Nemeth

(74) *Attorney, Agent, or Firm* — Chieh-Mei Wang

(57) **CLAIM**

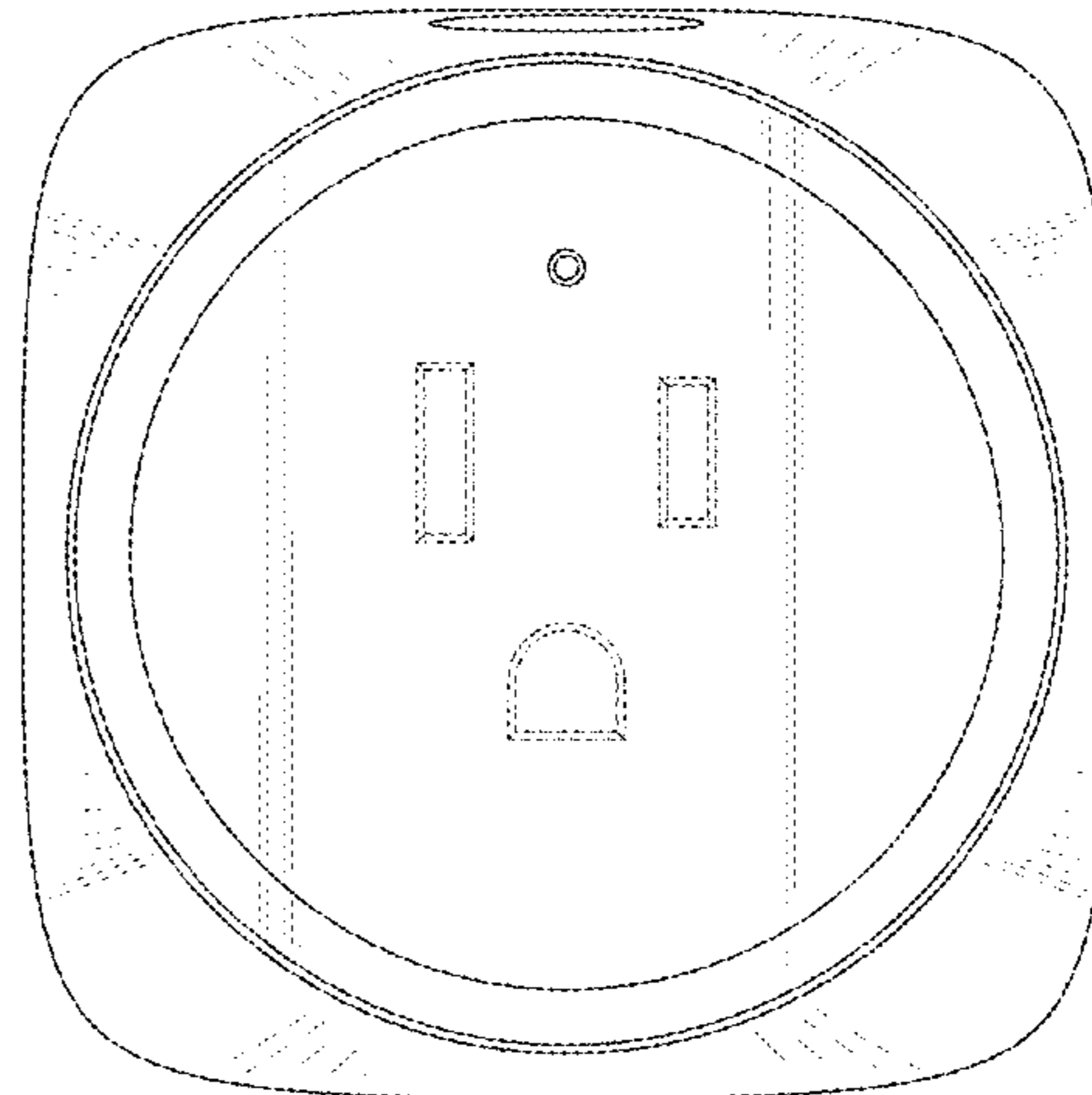
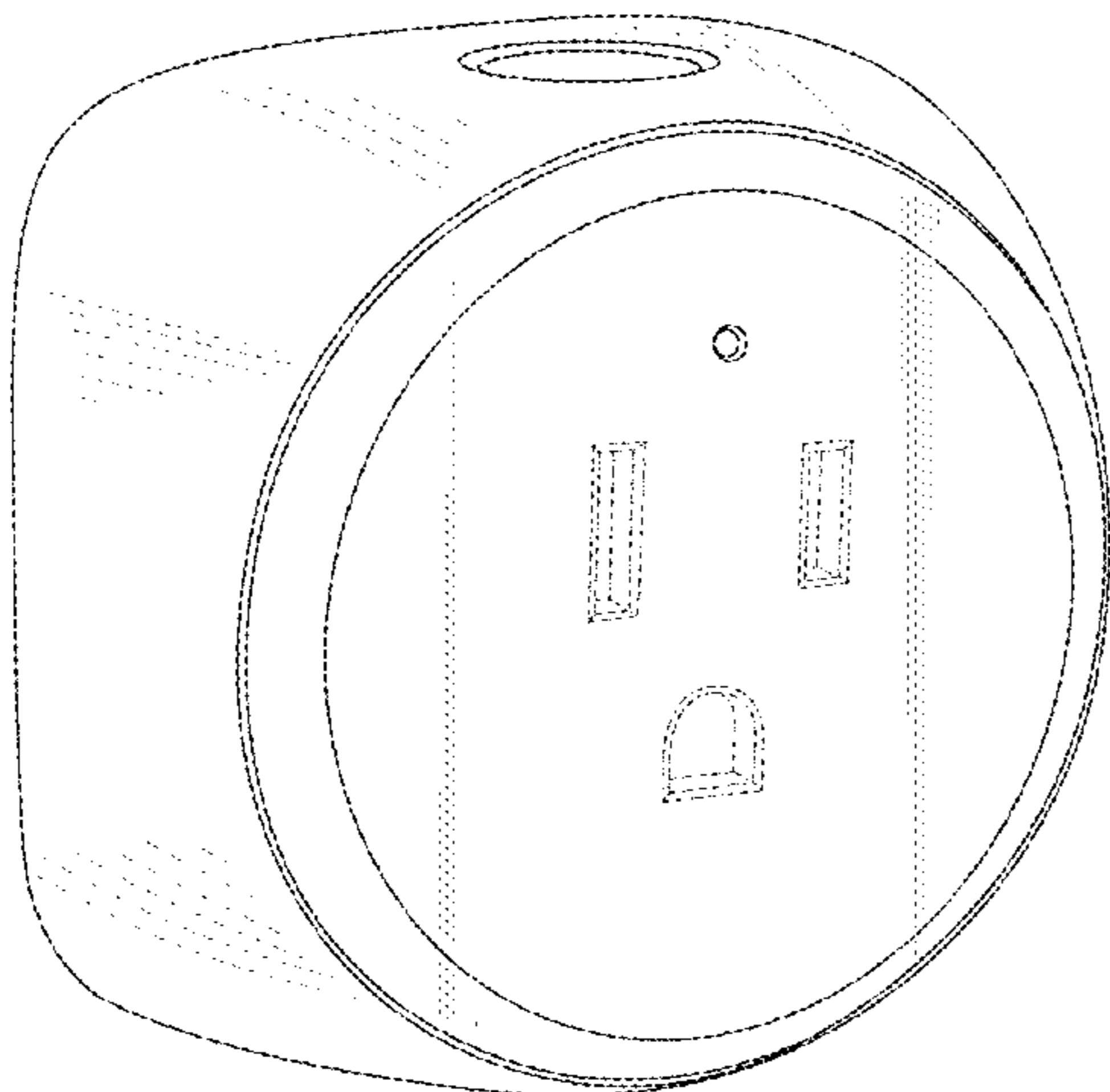
The ornamental design for a smart socket, as shown and described.

DESCRIPTION

FIG. 1 is a perspective view of a smart socket, showing our new design;
FIG. 2 is a front view thereof;
FIG. 3 is a rear view thereof;
FIG. 4 is a left side view thereof;
FIG. 5 is a right side view thereof;
FIG. 6 is a bottom view thereof; and,
FIG. 7 is a top view thereof.

The broken lines in the drawings are for the purpose of illustrating portions of the smart socket and form no part of the claimed design.

1 Claim, 7 Drawing Sheets



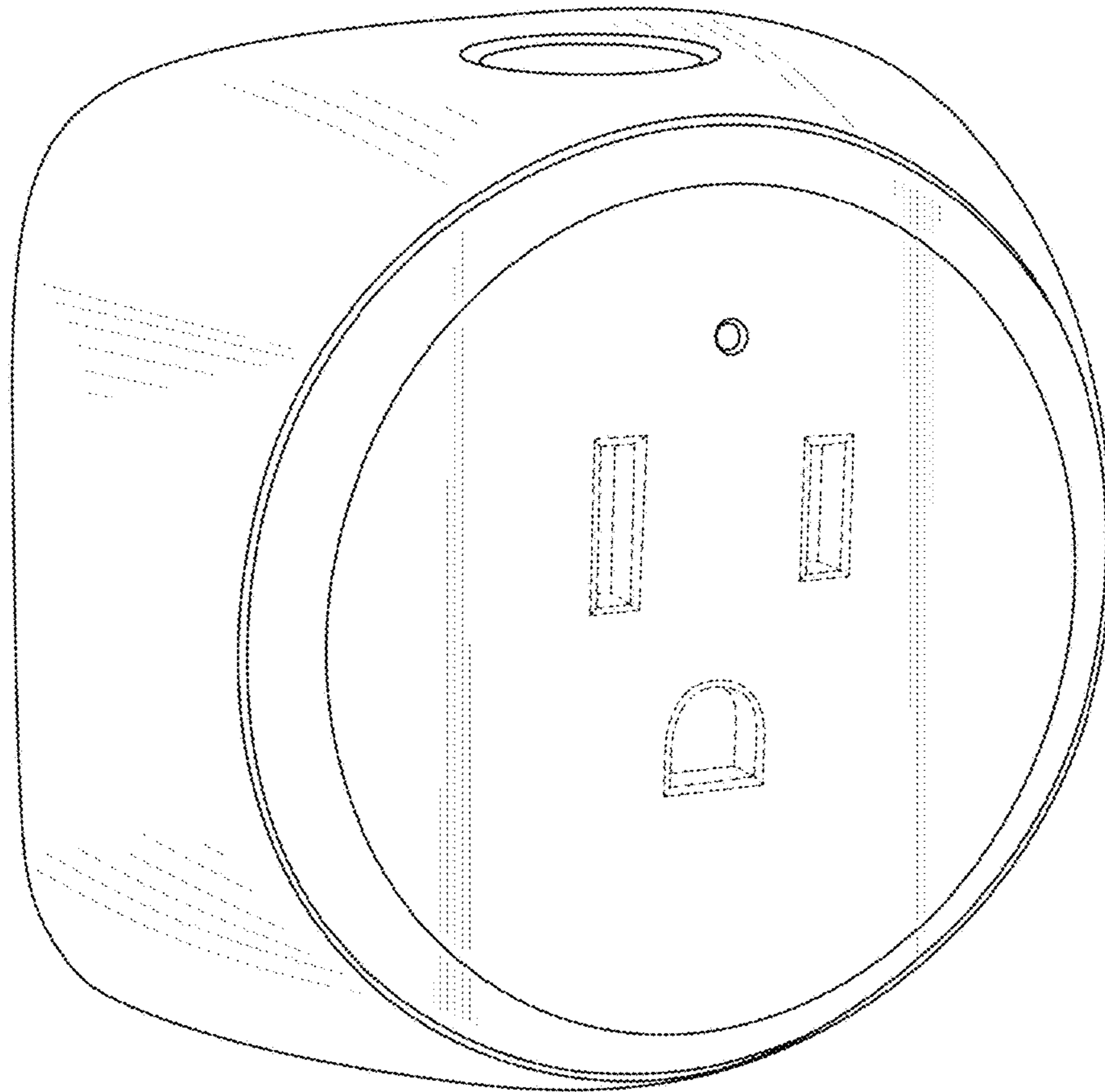


FIG. 1

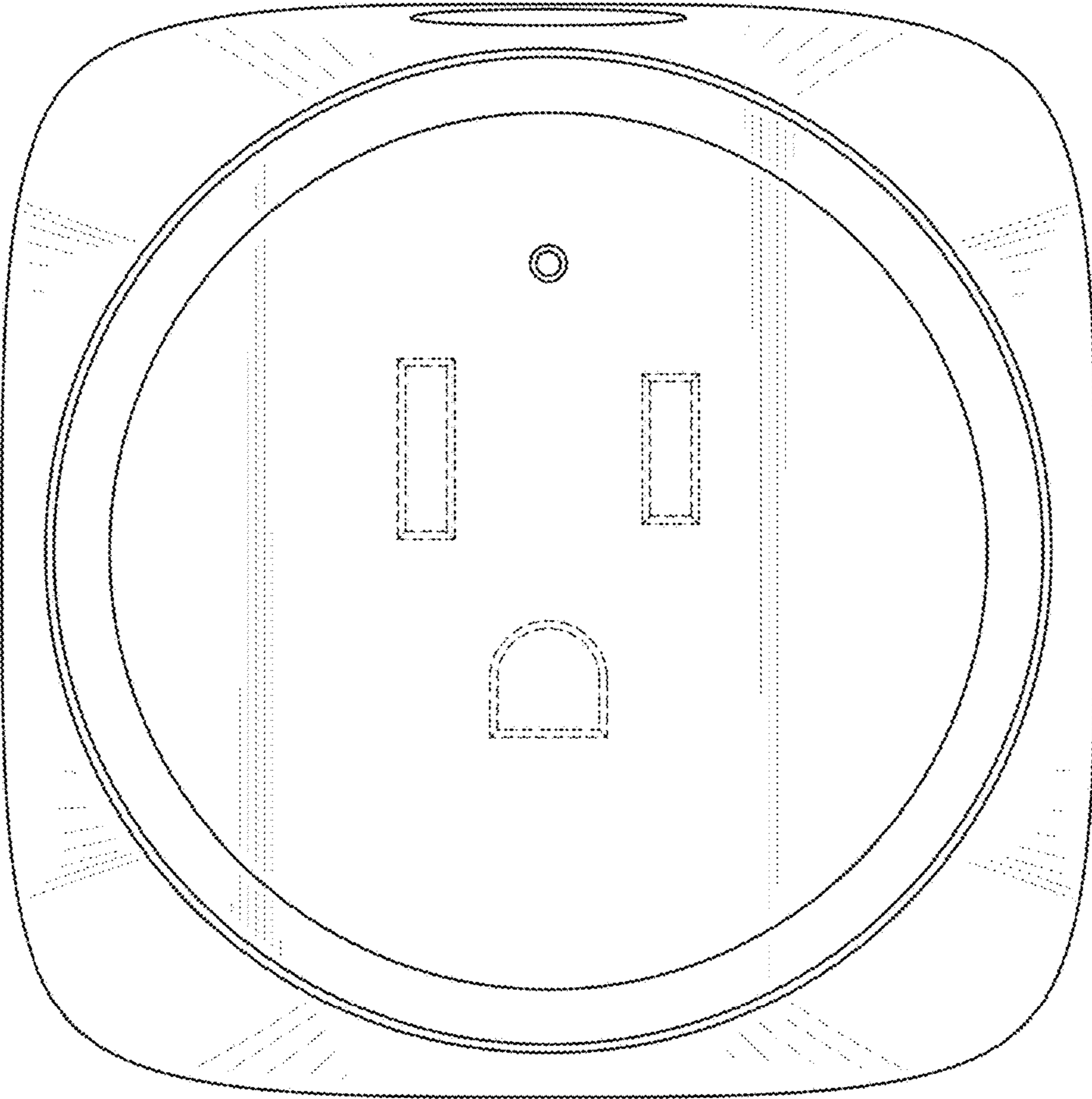


FIG. 2

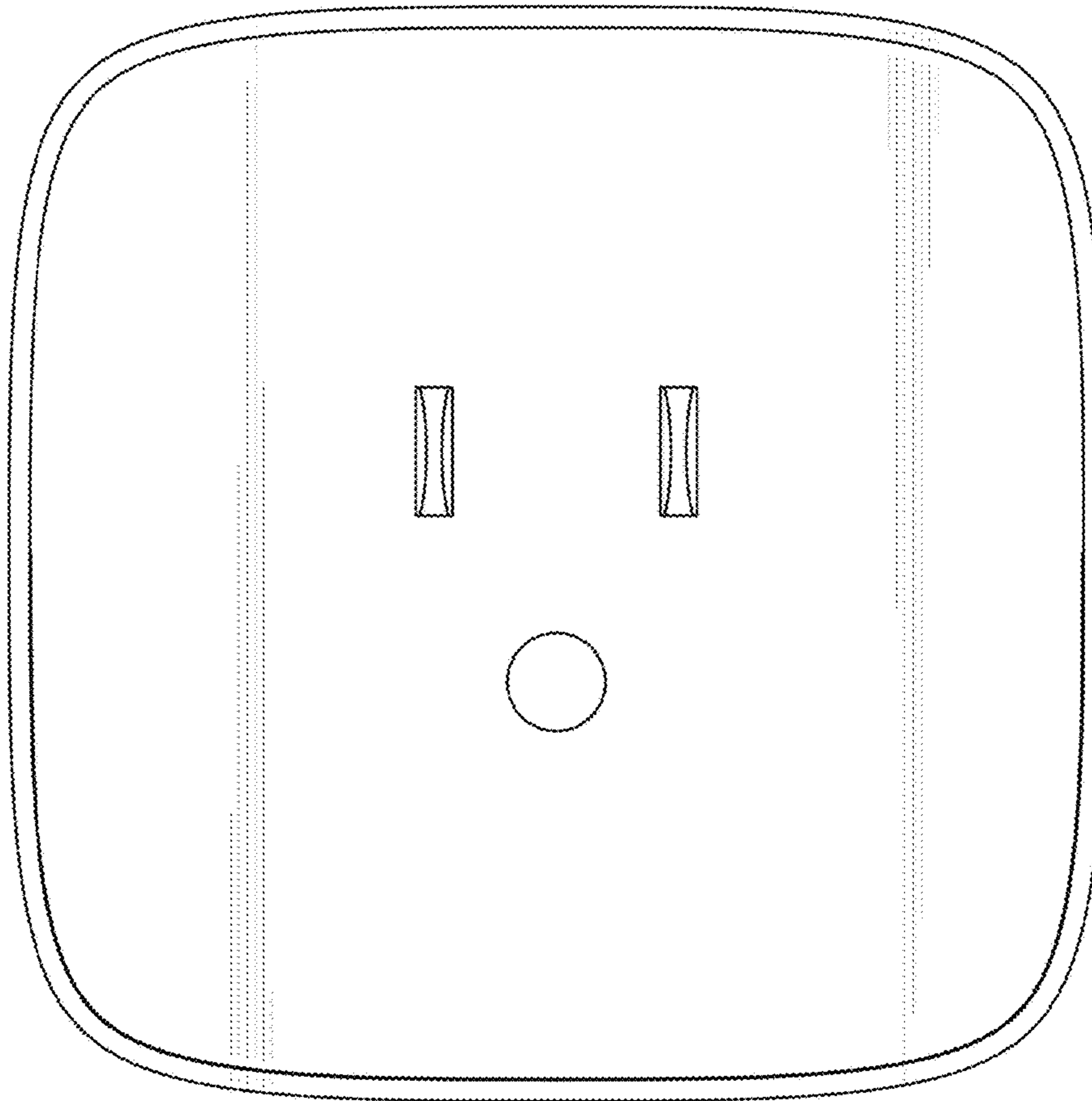


FIG. 3

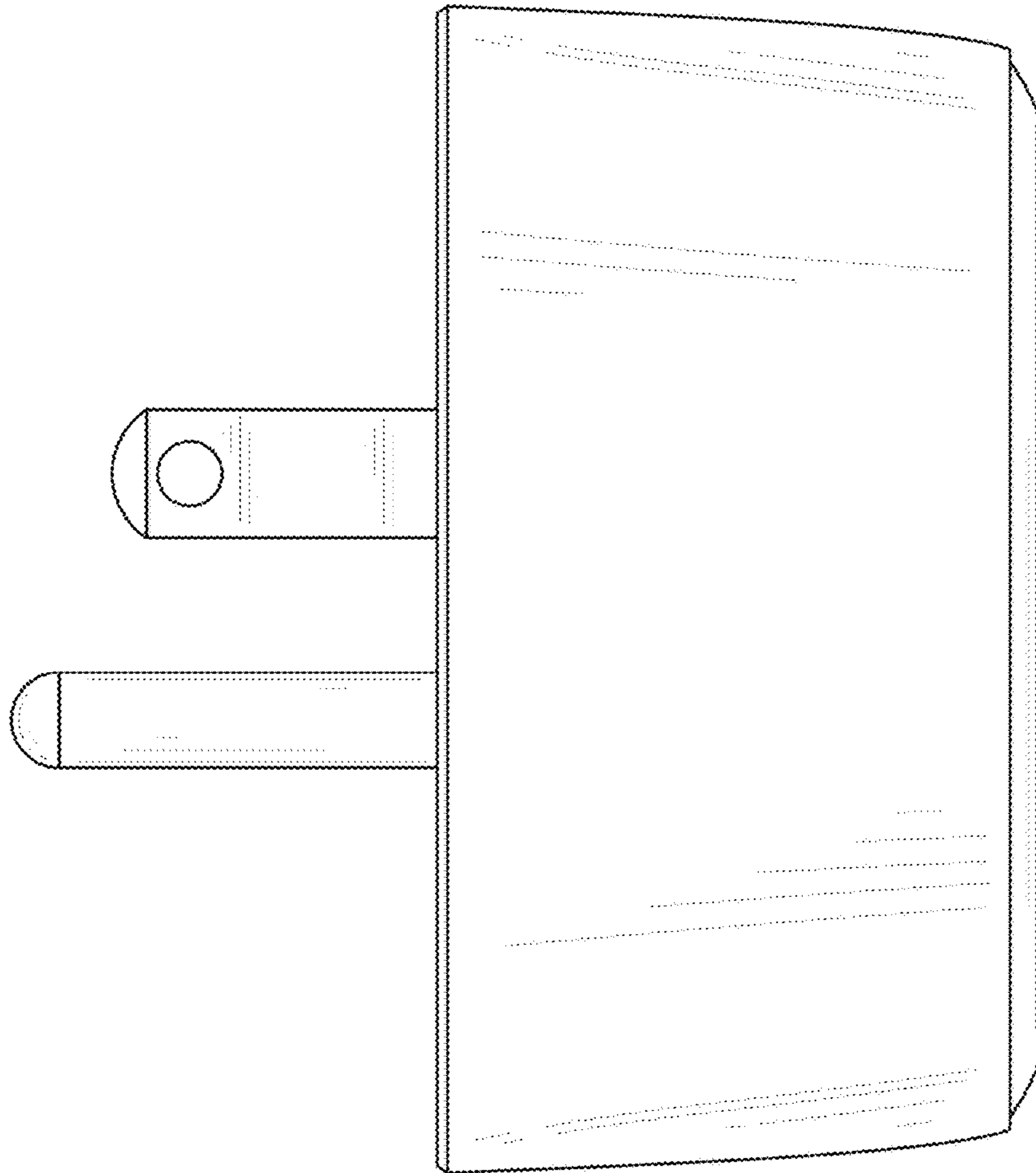


FIG. 4

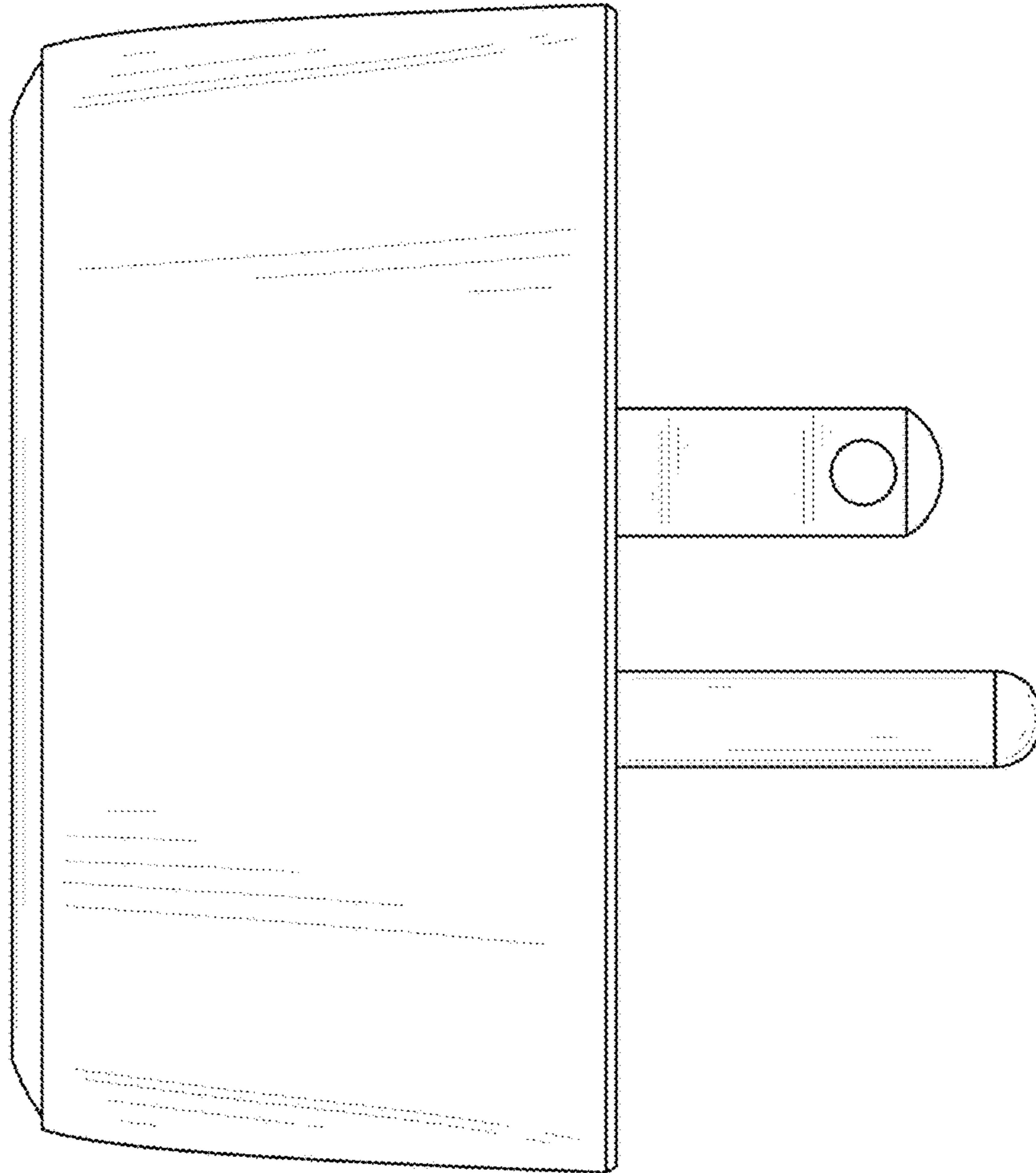


FIG. 5

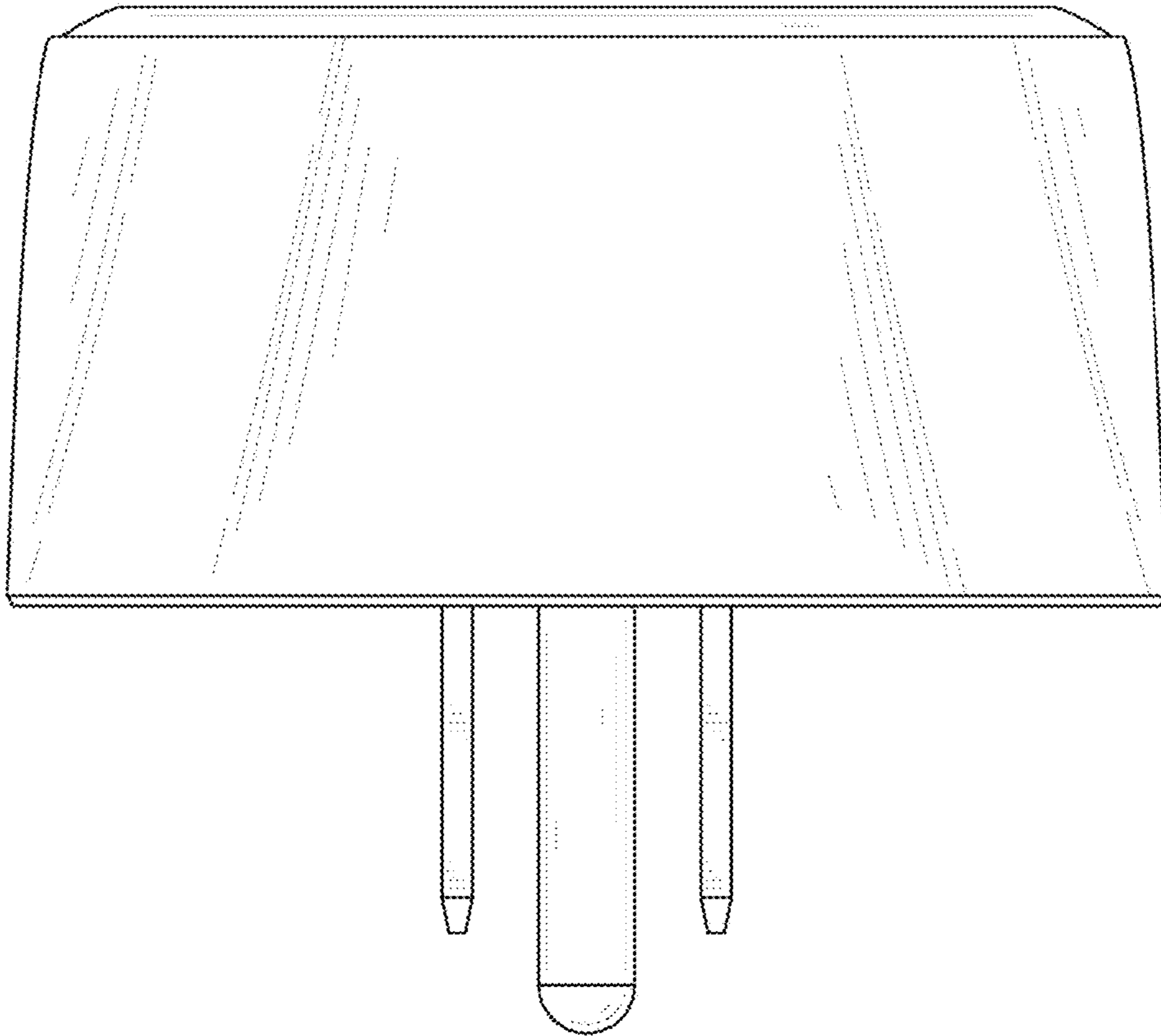


FIG. 6

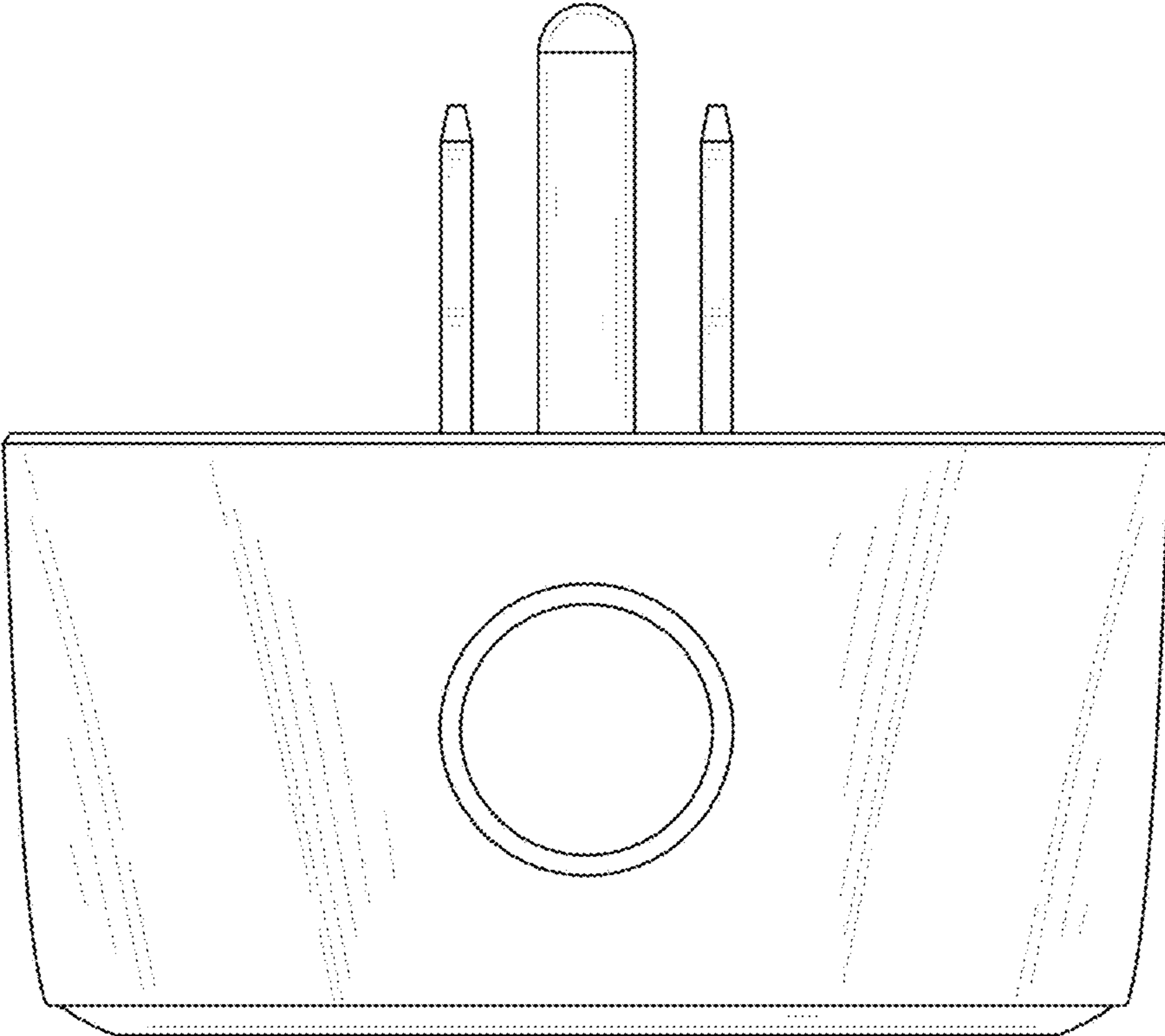


FIG. 7