



US00D835042S

(12) **United States Design Patent**
Qiu et al.

(10) **Patent No.:** **US D835,042 S**

(45) **Date of Patent:** **** Dec. 4, 2018**

(54) **SOCKET**

(71) Applicant: **Bestore Europe Holding GmbH**, Zug (CH)

(72) Inventors: **Weihua Qiu**, Jiangsu (CN); **Xingxing Wu**, Jiangsu (CN)

(73) Assignee: **BESTORE EUROPE HOLDING GMBH**, Zug (CH)

(**) Term: **15 Years**

(21) Appl. No.: **29/625,720**

(22) Filed: **Nov. 13, 2017**

(30) **Foreign Application Priority Data**

Aug. 7, 2017 (CN) 2017 3 0357328

(51) **LOC (11) Cl.** **13-03**

(52) **U.S. Cl.**
USPC **D13/137.2**

(58) **Field of Classification Search**
USPC D13/137.1-137.4, 138.1-138.2,
D13/139.1-139.8, 152-154, 108, 110,
D13/123, 133, 146, 147, 156, 158, 160;
D14/433, 434
CPC .. H01R 25/00; H01R 25/006; H01R 13/6675;
H01R 13/44; H01R 13/627; H01R
13/447; H01R 13/73; H01R 13/66; H01R
13/60
See application file for complete search history.

(56) **References Cited**

U.S. PATENT DOCUMENTS

D755,127 S * 5/2016 Wong D13/137.2
D758,312 S * 6/2016 Lin D13/137.2

D763,794 S * 8/2016 Akana D13/137.1
D788,709 S * 6/2017 Yeo D13/137.2
D807,295 S * 1/2018 Xu D13/137.2
D813,852 S * 3/2018 Ni D14/240

OTHER PUBLICATIONS

Amazon.com: BESTTEN Mini WiFi Smart Remote Control Plug Outlet Switch with One USB Charging Port. Published Jan. 4, 2018. Retrieved from the internet at <<https://www.amazon.com/BESTTEN-Charging-Assistant-Required-Certified/dp/B078SQFMH7/>>, Jul. 26, 2018. 1 page. (Year: 2018).*

* cited by examiner

Primary Examiner — Rosemary K Tarcza

Assistant Examiner — Christy M Nemeth

(74) *Attorney, Agent, or Firm* — Novick, Kim & Lee, PLLC; Allen Xue; Hyun Woo Shin

(57) **CLAIM**

We claim the ornamental design for a socket, as shown and described.

DESCRIPTION

FIG. 1 is a top, front perspective view of a socket, showing our new design;

FIG. 2 is a bottom, rear perspective view thereof;

FIG. 3 is a front elevation view thereof;

FIG. 4 is a rear elevational view thereof;

FIG. 5 is a left side elevational view thereof;

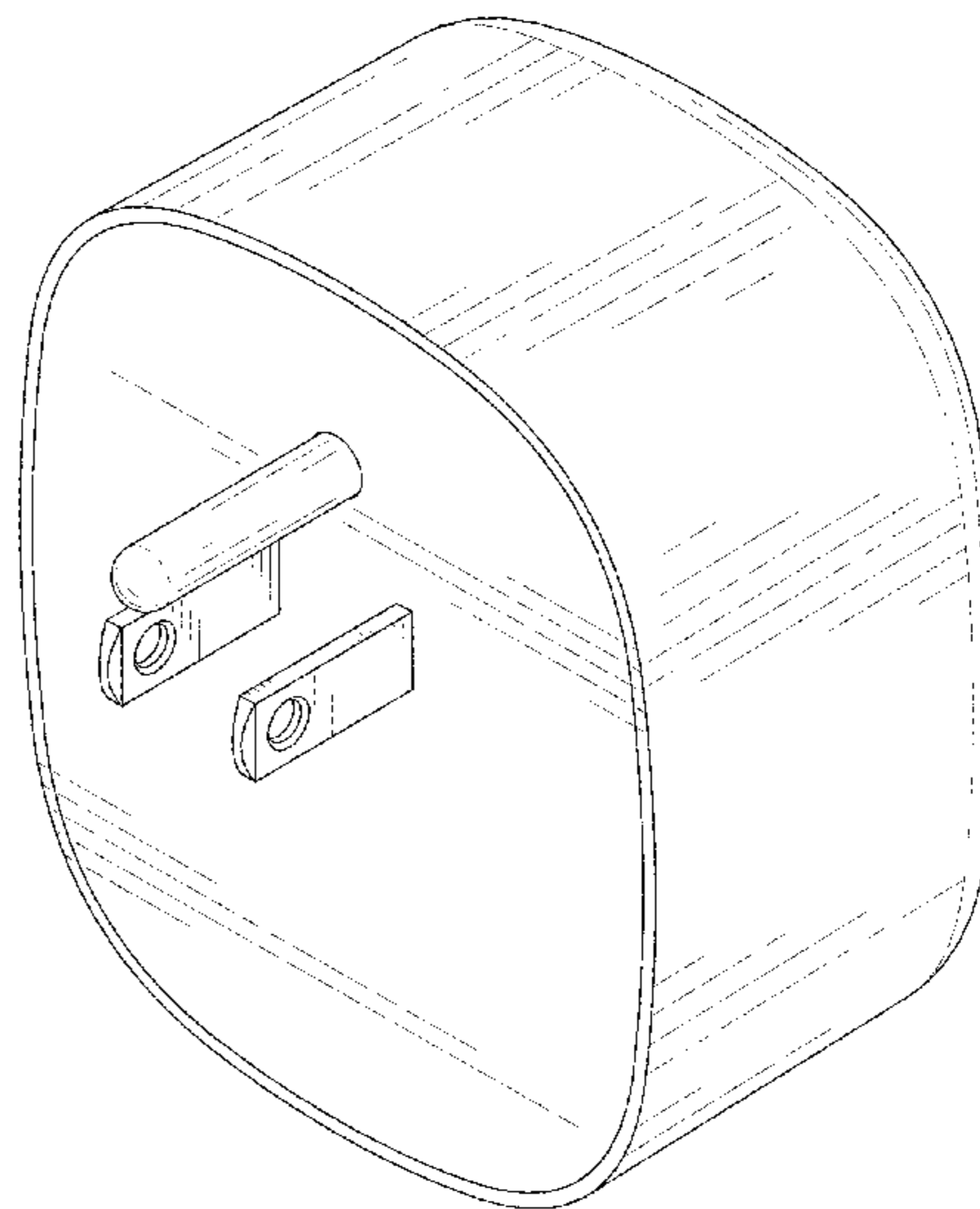
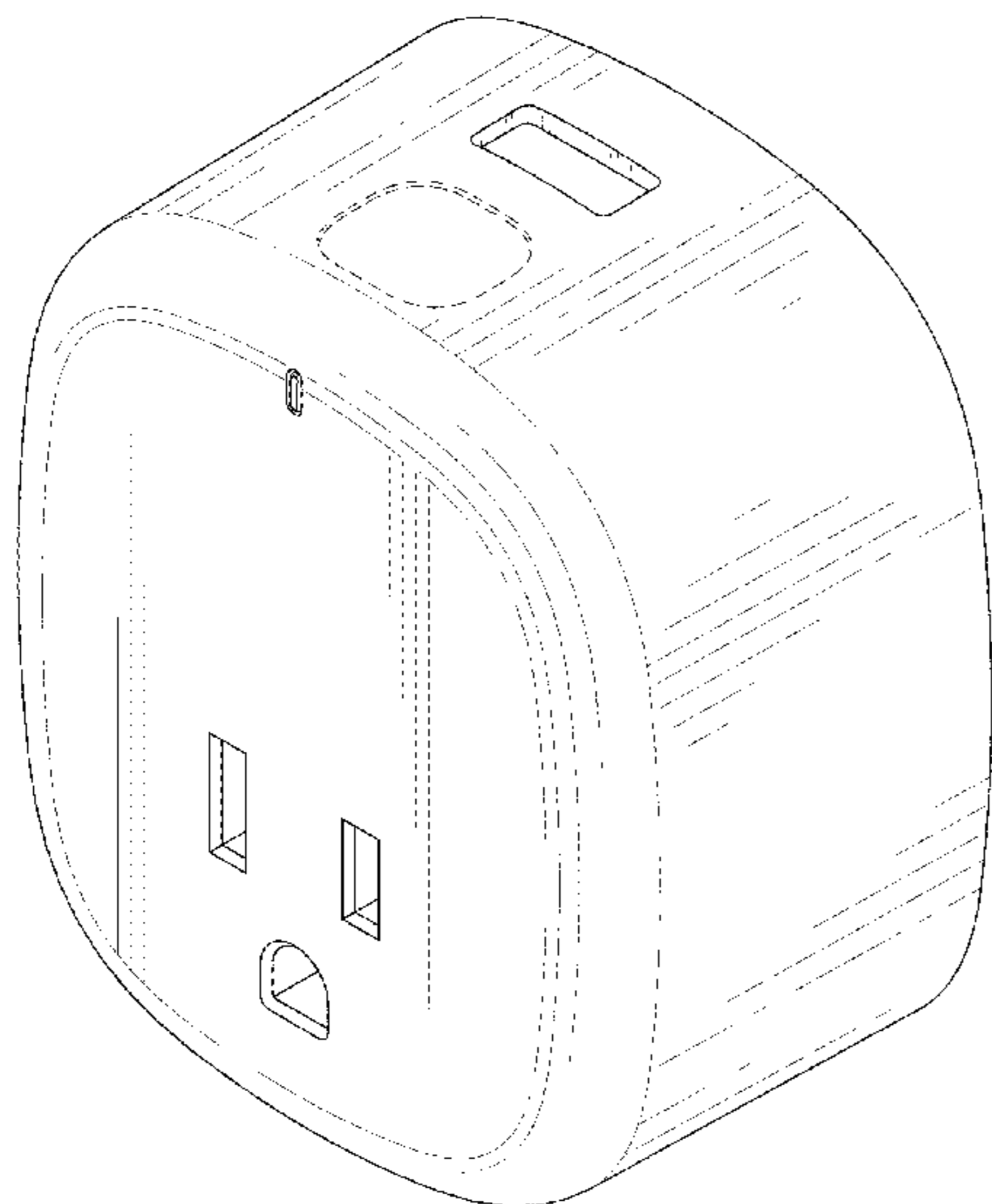
FIG. 6 is a right side elevational view thereof;

FIG. 7 is a top plan view thereof; and,

FIG. 8 is a bottom plan view thereof.

The broken lines in the drawings show portions of the socket which form no part of the claimed design.

1 Claim, 8 Drawing Sheets



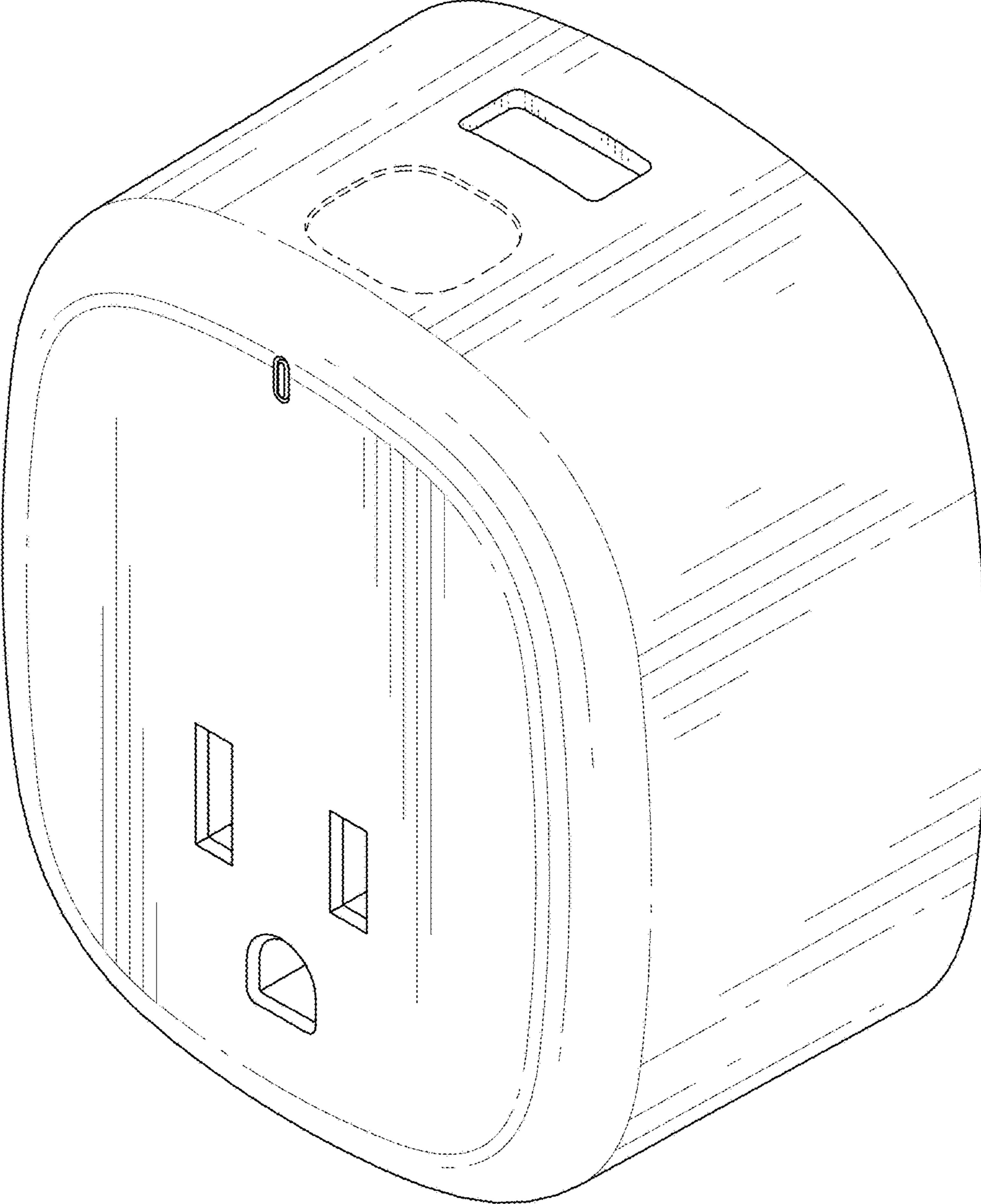


FIG. 1

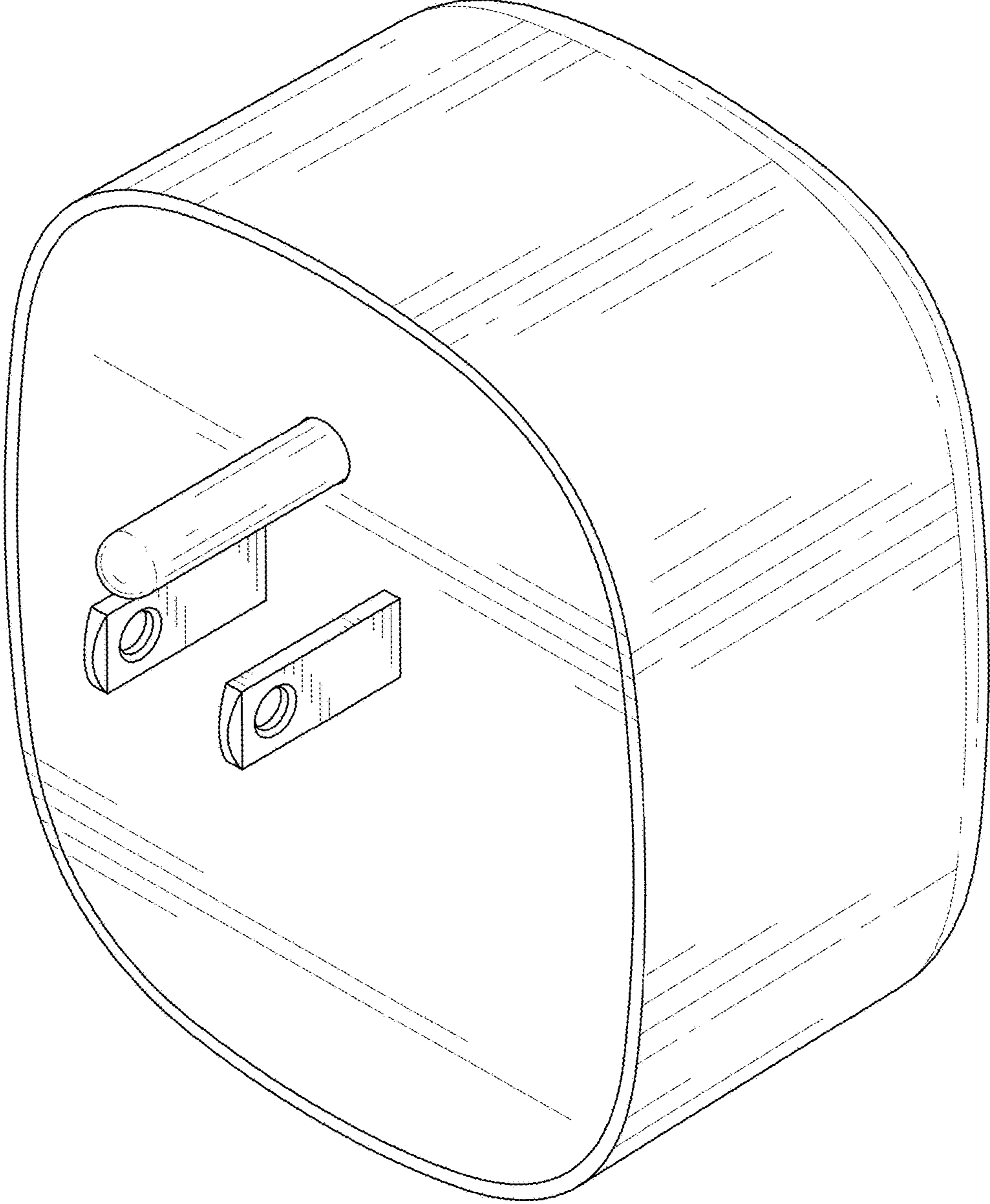


FIG. 2

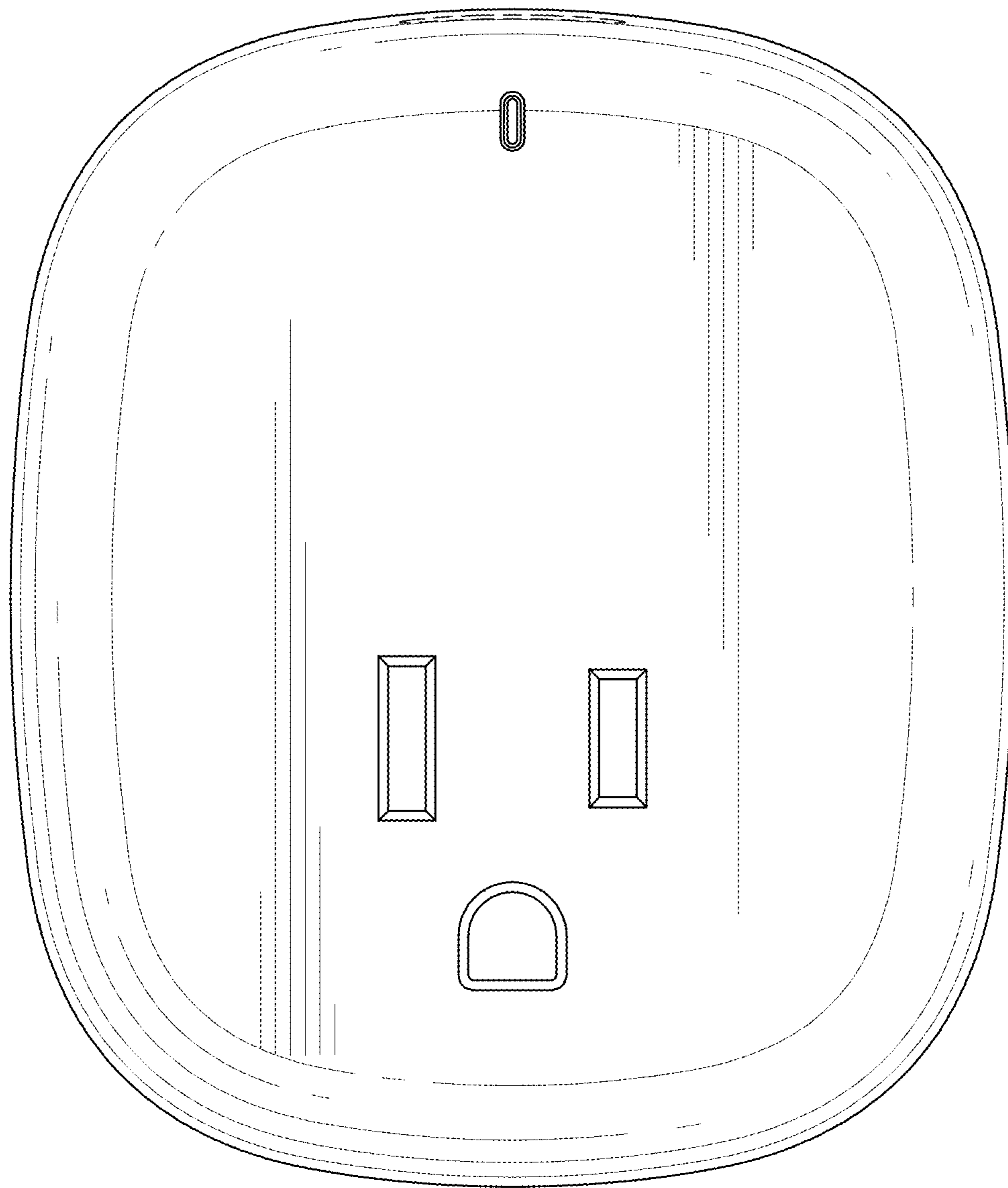


FIG. 3

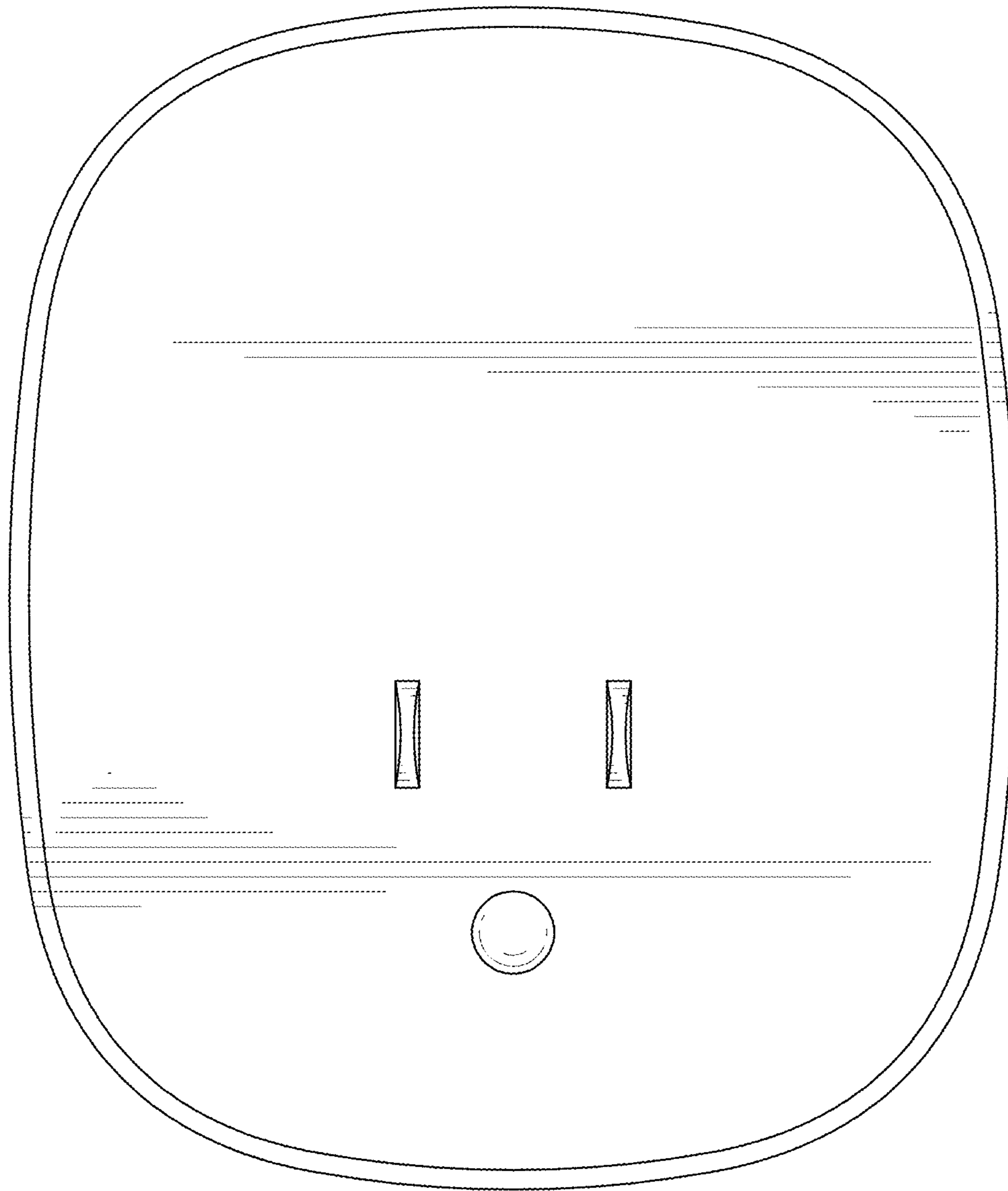


FIG. 4

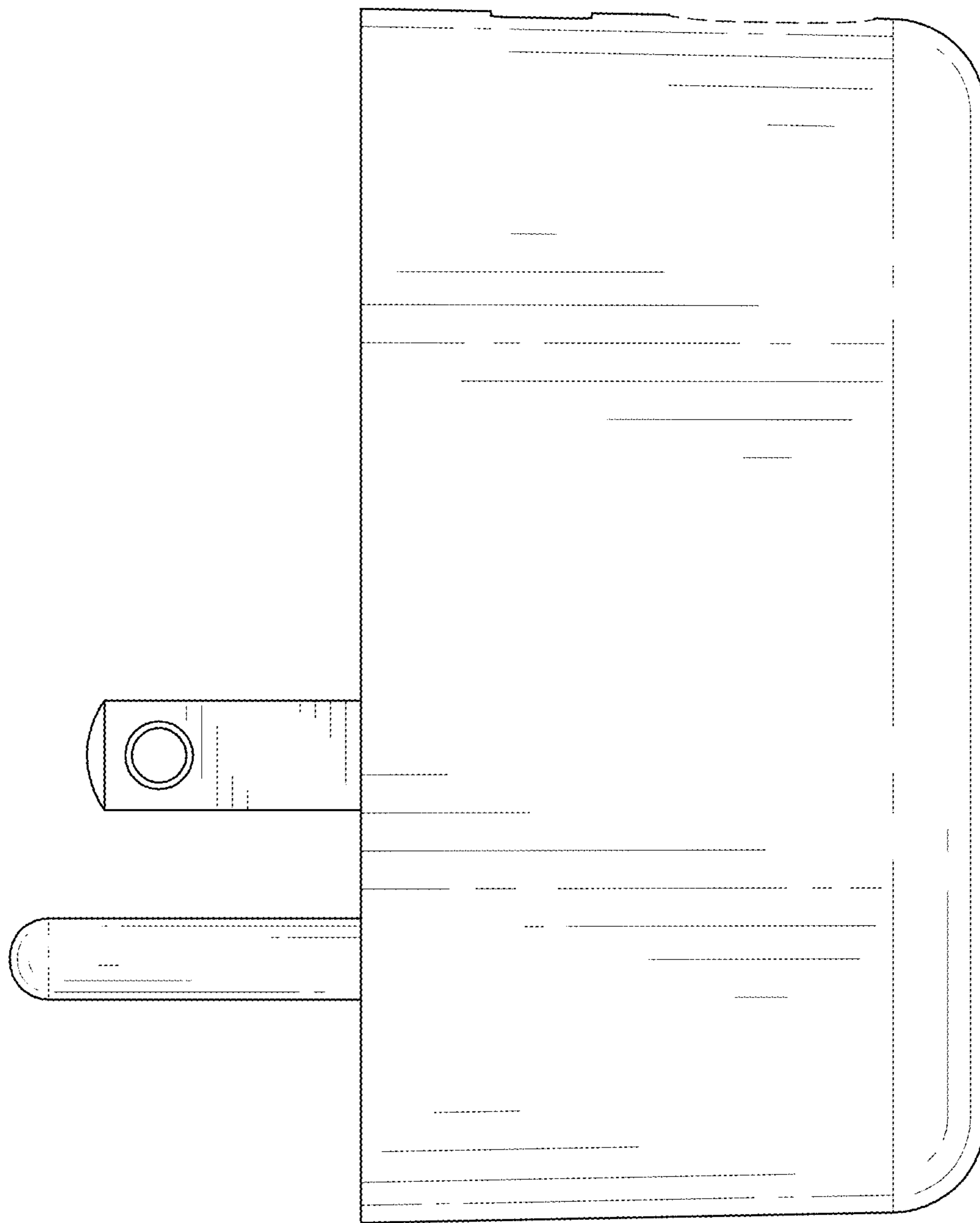


FIG. 5

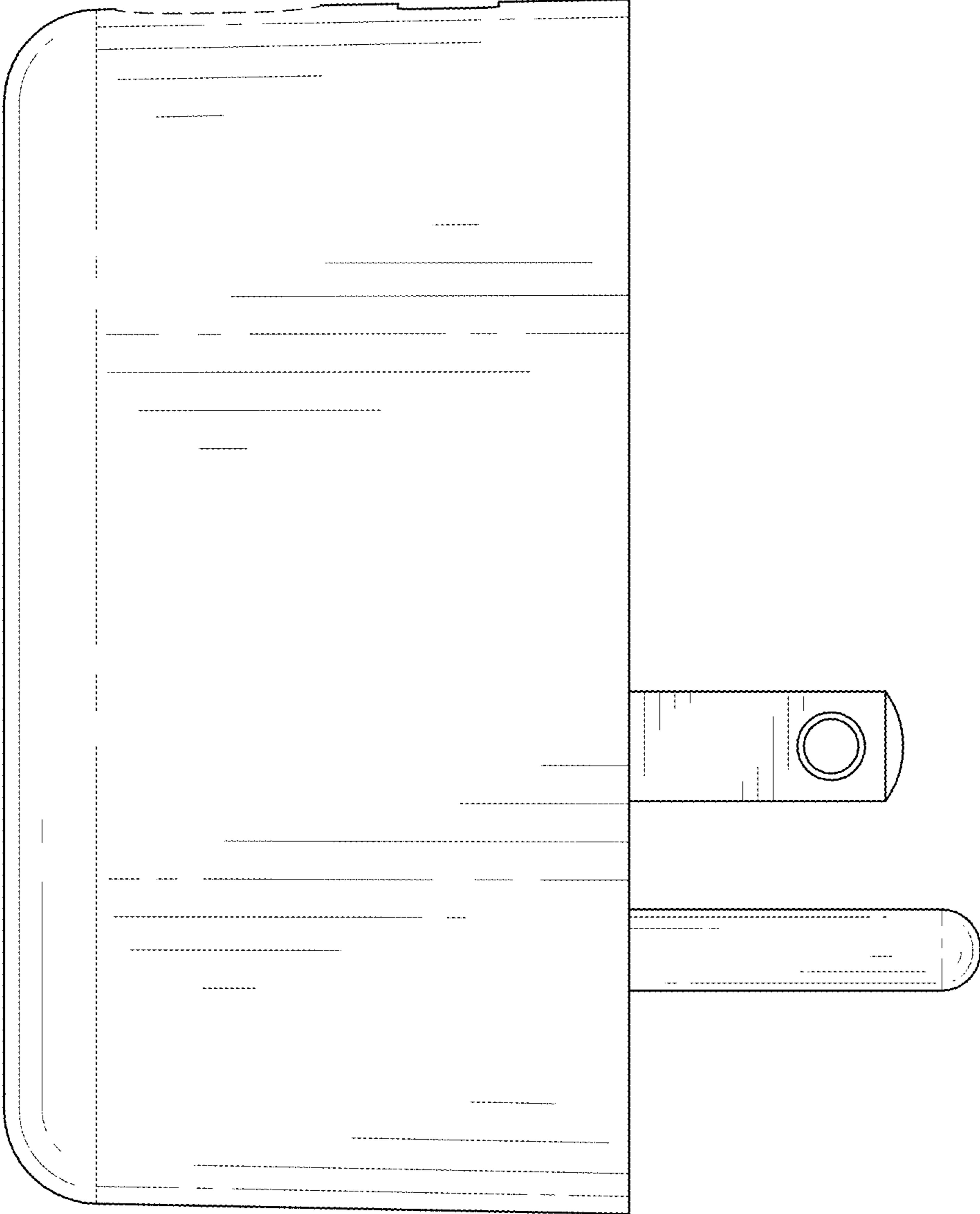


FIG. 6

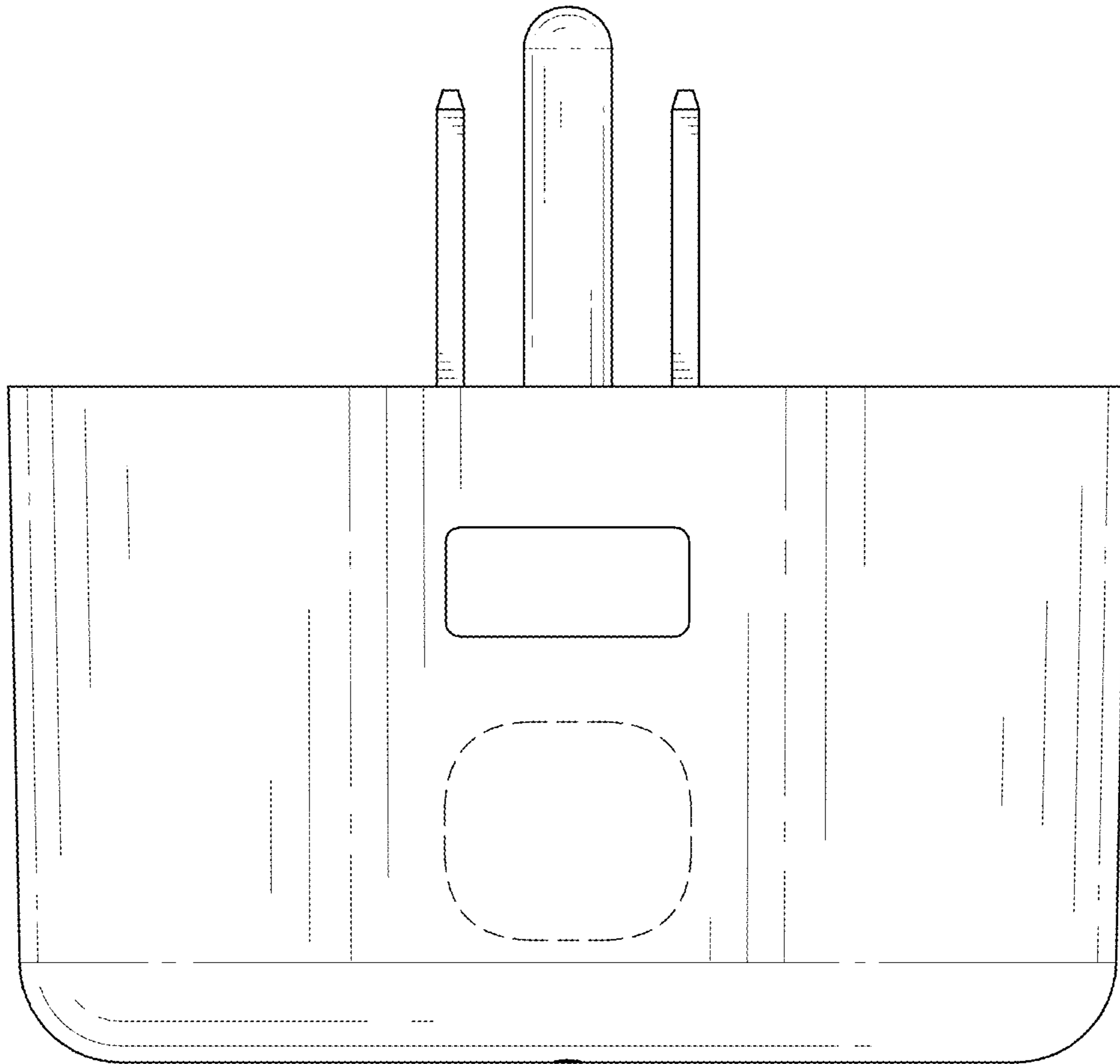


FIG. 7

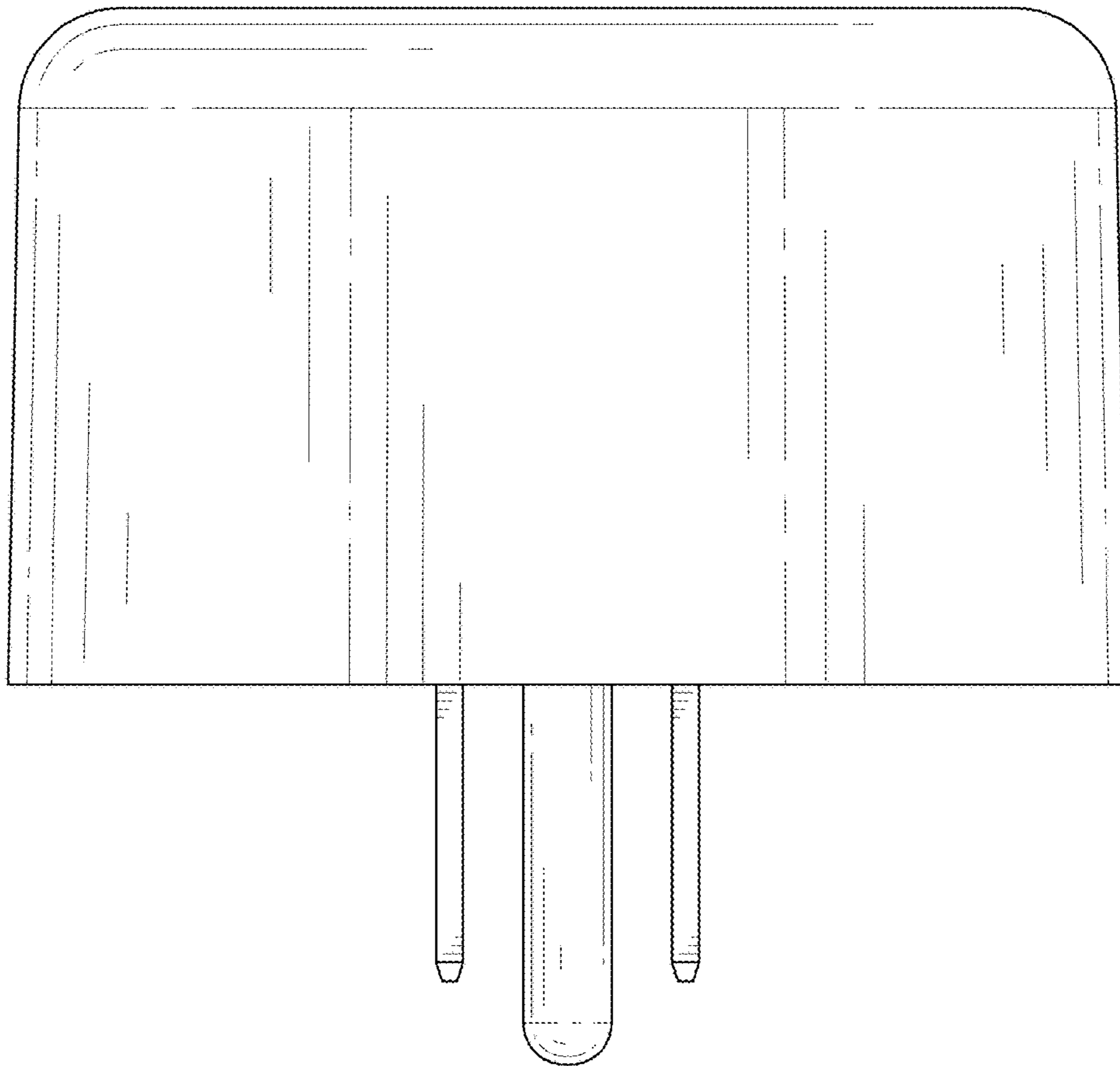


FIG. 8