



US00D835041S

(12) **United States Design Patent** (10) **Patent No.:** **US D835,041 S**
Lu (45) **Date of Patent:** **** Dec. 4, 2018**

(54) **POWER BOX CONNECTOR**

(71) Applicant: **Wislt Technology (Shenzhen) Co., Ltd.**, Shenzhen, Guangdong (CN)

(72) Inventor: **Canpei Lu**, Guangdong (CN)

(73) Assignee: **Wislt Technology (Shenzhen) Co., Ltd.**, Shenzhen (CN)

(**) Term: **15 Years**

(21) Appl. No.: **29/626,821**

(22) Filed: **Nov. 20, 2017**

(30) **Foreign Application Priority Data**

Oct. 11, 2017 (CN) 2017 3 0483075

(51) **LOC (11) Cl.** **13-03**

(52) **U.S. Cl.**
USPC **D13/133**

(58) **Field of Classification Search**
USPC D13/118, 123, 133, 137.1–139.8,
D13/145–147, 154, 173, 177, 184, 199
CPC . H01R 4/24; H01R 9/00; H01R 13/28; H01R
13/44; H01R 13/52; H01R 13/66; H01R
13/627; H01R 13/6581; H01R 29/00;
H01R 33/00
See application file for complete search history.

(56) **References Cited**

U.S. PATENT DOCUMENTS

7,150,638 B1 * 12/2006 Fonville H01R 13/5213
439/148
D678,200 S * 3/2013 Corona D13/133

D678,201 S * 3/2013 Corona D13/133
D726,116 S * 4/2015 Corona D13/146
D729,169 S * 5/2015 Corona D13/146
D800,069 S * 10/2017 Maskaly D13/146
D818,438 S * 5/2018 Sinclair D13/146
2014/0273601 A1 * 9/2014 Yuen H01R 24/64
439/370
2017/0279221 A1 * 9/2017 Toh H01R 13/6272

* cited by examiner

Primary Examiner — Angela J Lee
Assistant Examiner — Shawn T Gingrich

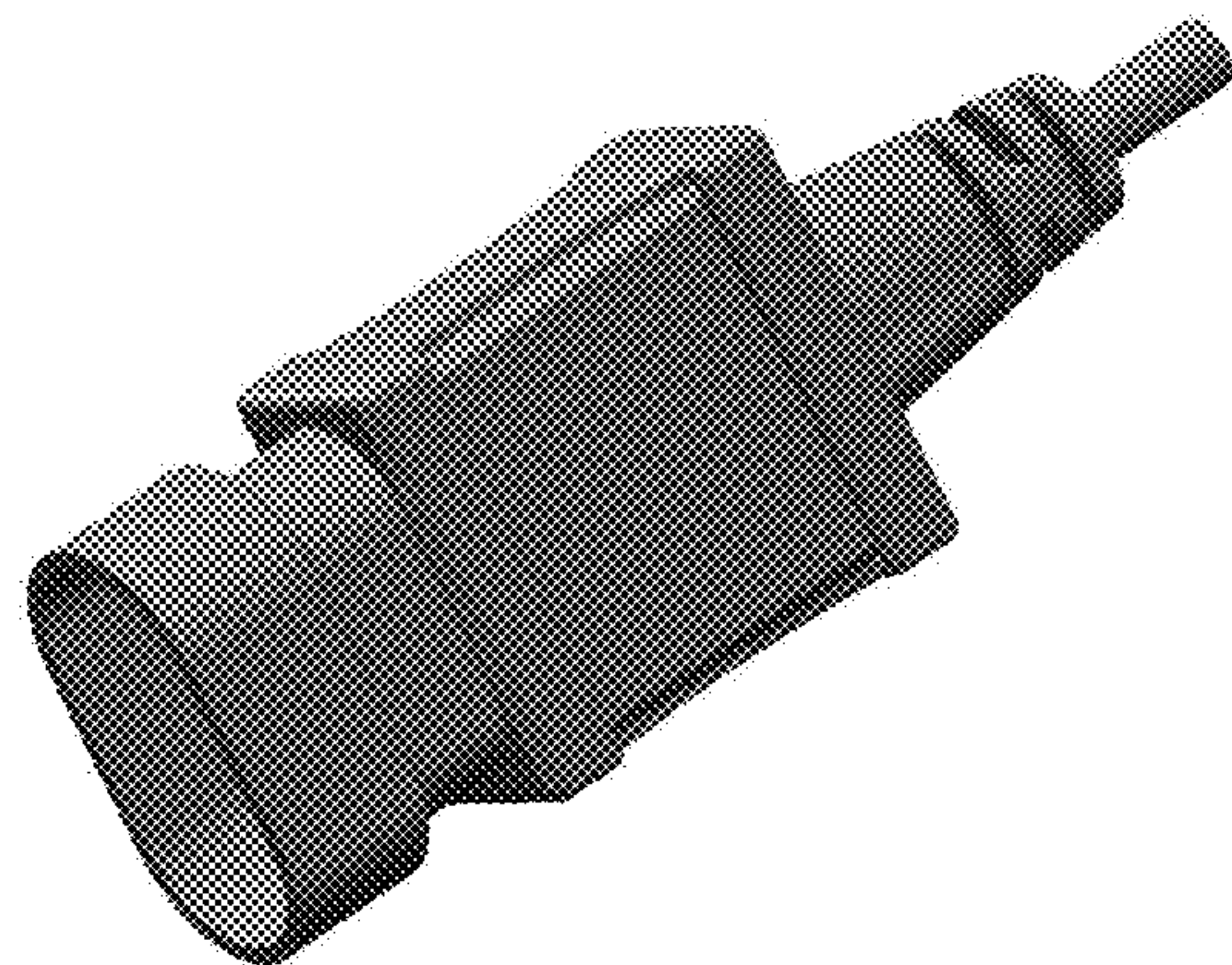
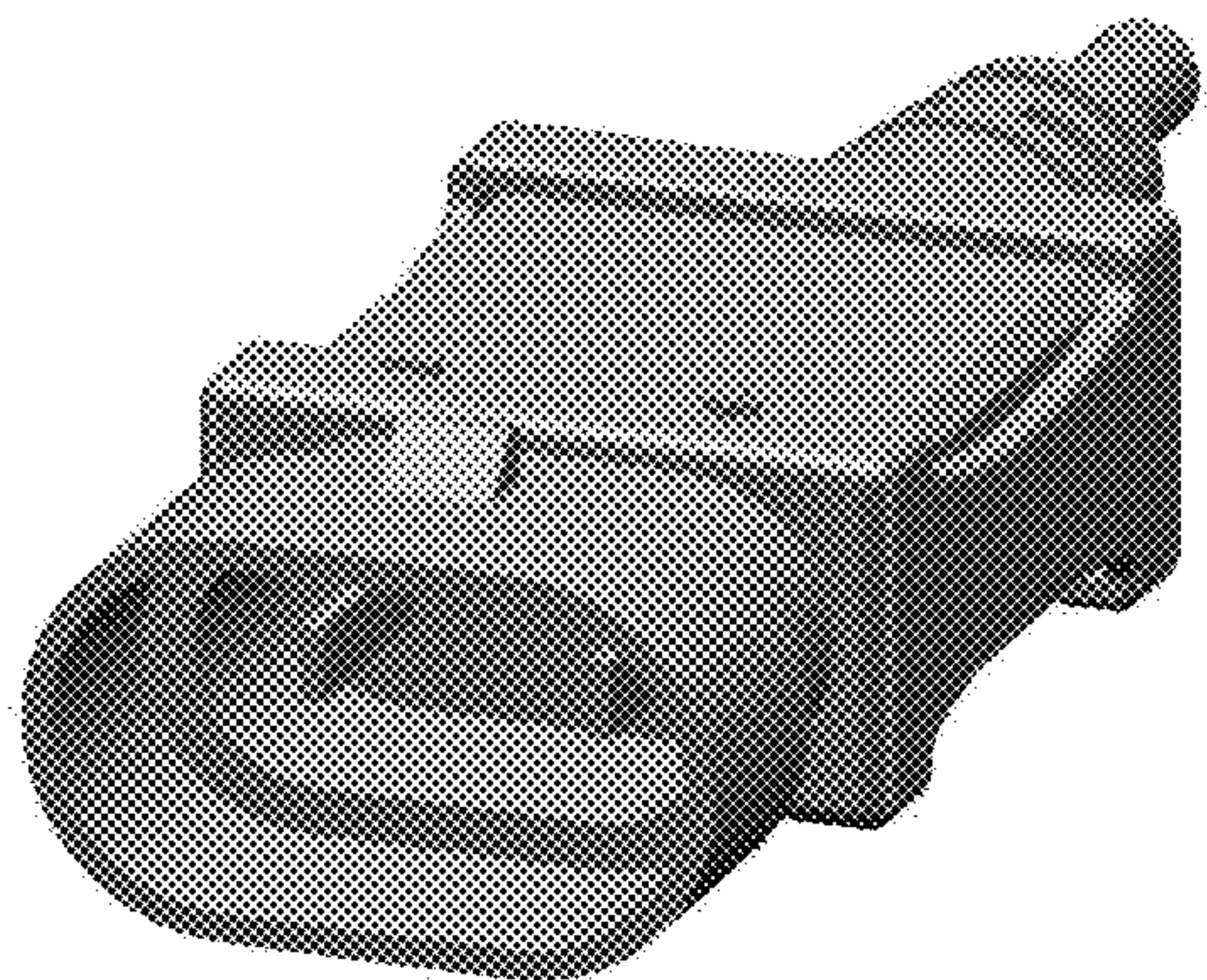
(57) **CLAIM**

The ornamental design for a power box connector, as shown and described.

DESCRIPTION

FIG. 1 is a top, front and right side perspective view of a power box connector showing my new design;
FIG. 2 is another top, front and right side perspective view thereof;
FIG. 3 is a top, rear and left side perspective view thereof;
FIG. 4 is another top, rear and left side perspective view thereof;
FIG. 5 is a bottom, front and right side perspective view thereof;
FIG. 6 is another bottom, front and right side perspective view thereof; and,
FIG. 7 is a bottom, rear and left side perspective view thereof.

1 Claim, 7 Drawing Sheets



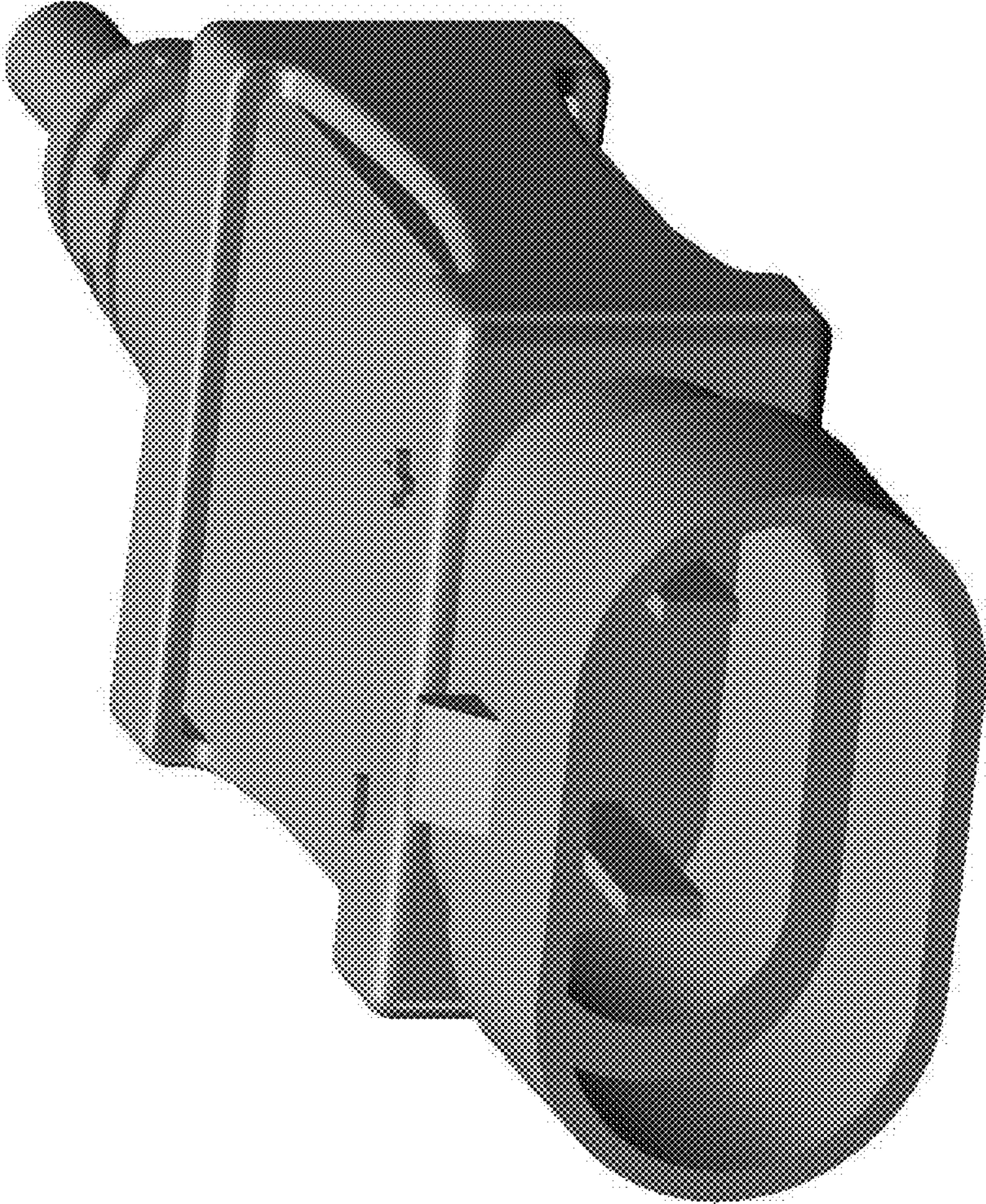


Fig. 1

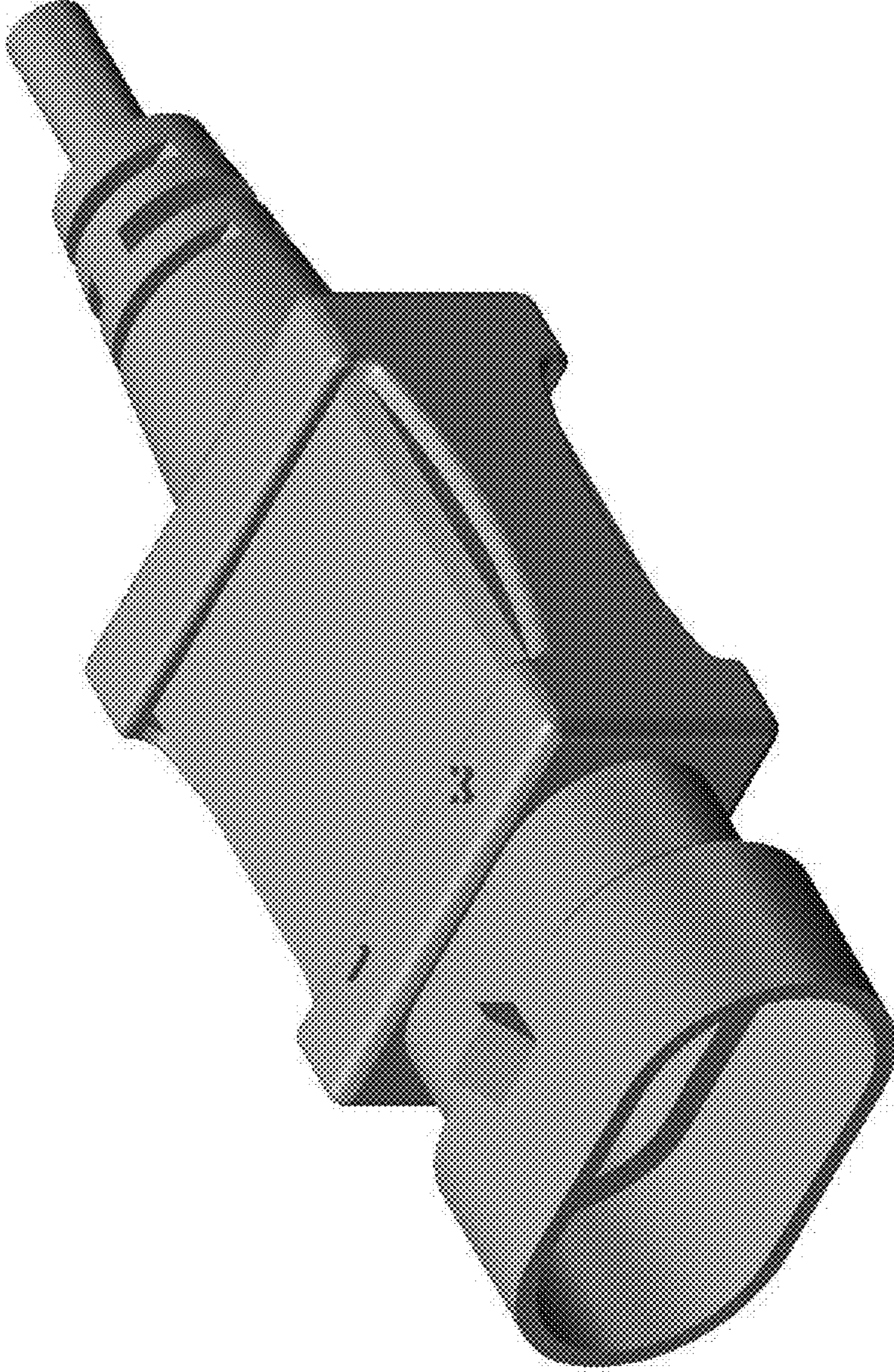


Fig. 2

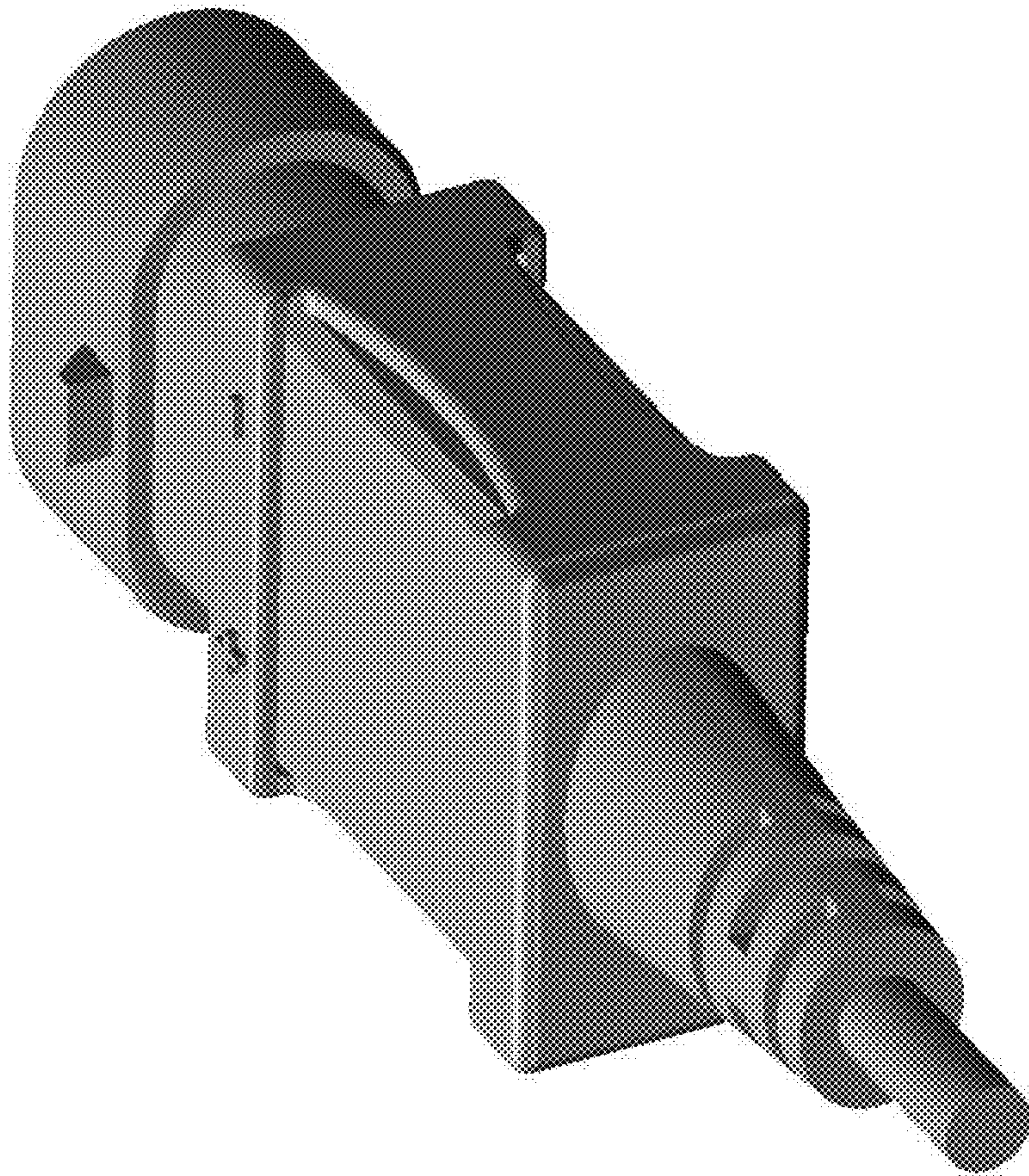


Fig. 3

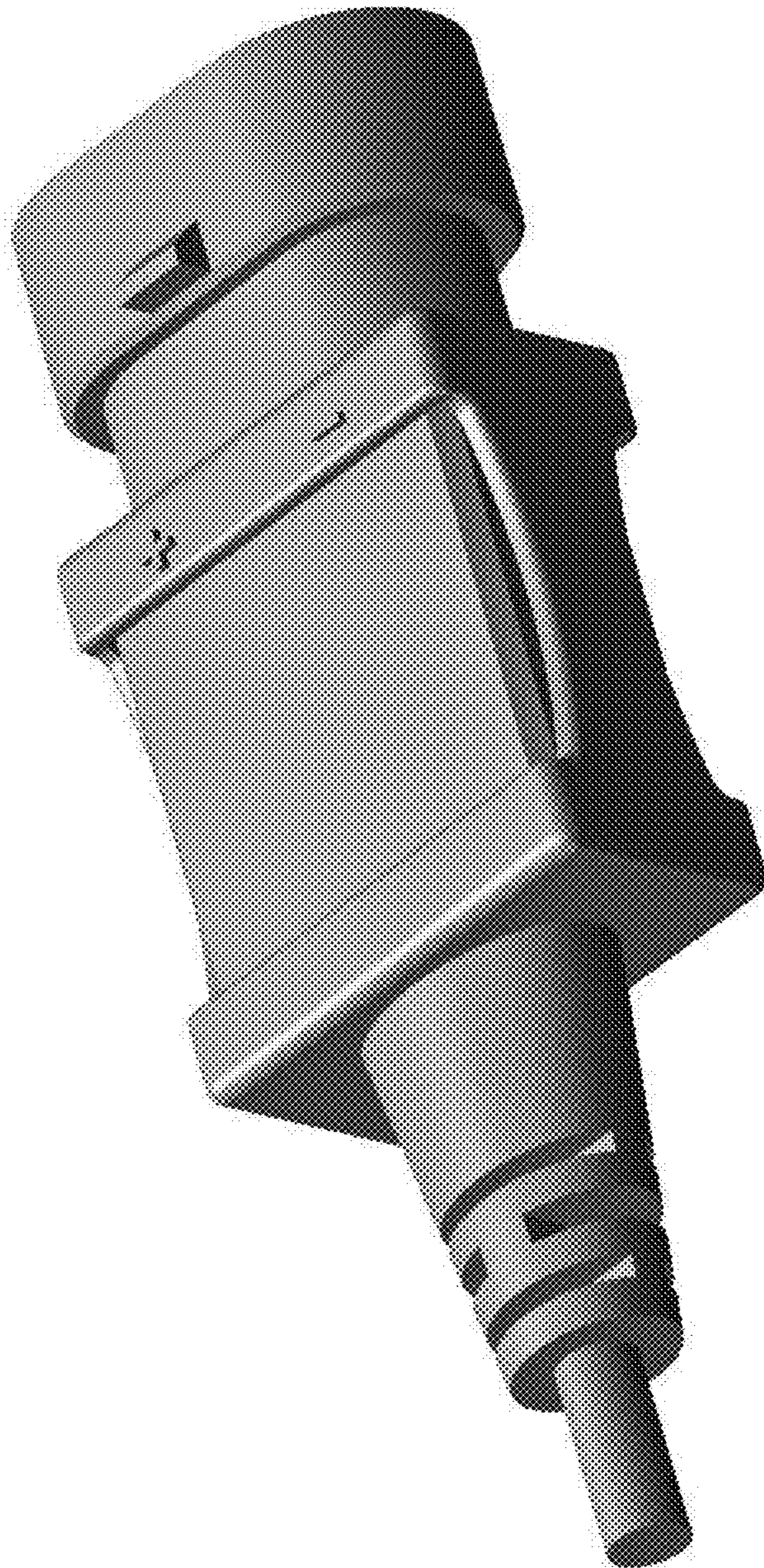


Fig. 4



Fig. 5



Fig. 6

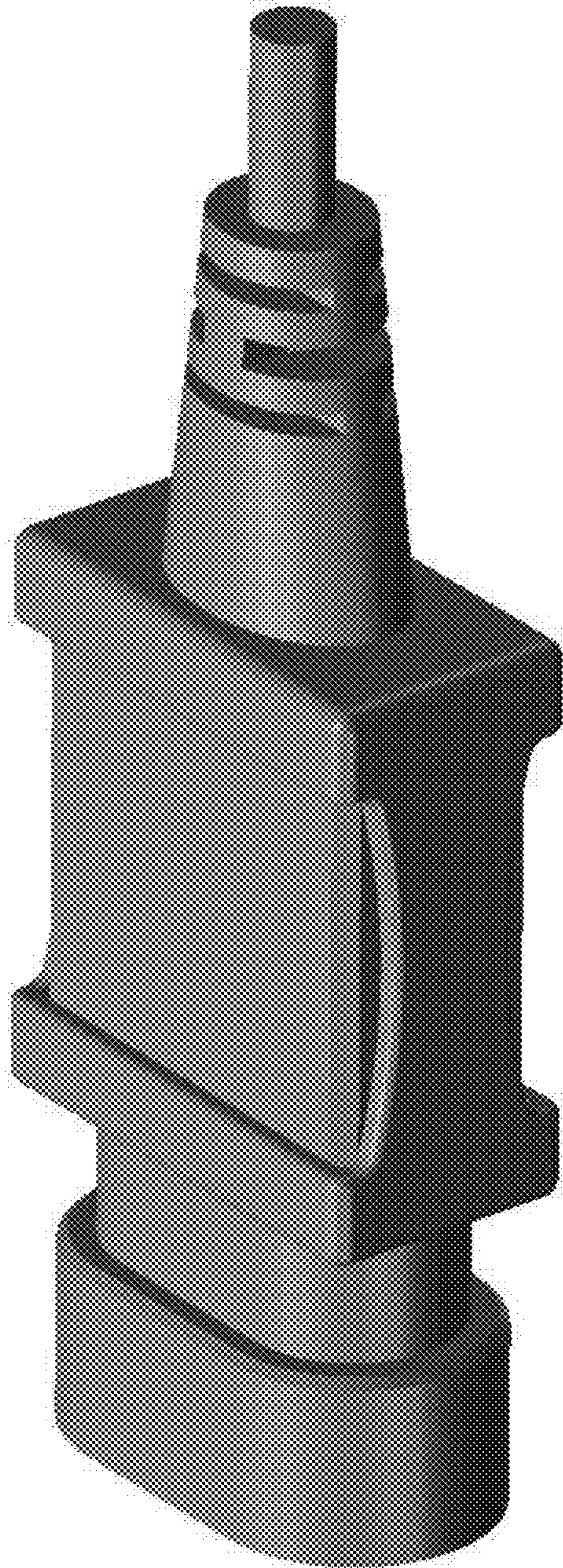


Fig. 7