



US00D835038S

(12) **United States Design Patent** (10) **Patent No.:** **US D835,038 S**
Delmaere (45) **Date of Patent:** **** Dec. 4, 2018**

(54) **CURRENT TRANSDUCER**

(71) Applicant: **LEM INTELLECTUAL PROPERTY SA, Fribourg (CH)**

(72) Inventor: **Christophe Delmaere, Yvoire (FR)**

(**) Term: **15 Years**

(21) Appl. No.: **35/503,232**

(22) Filed: **Dec. 23, 2016**

(80) **Hague Agreement Data**

Int. Filing Date: **Dec. 23, 2016**

Int. Reg. No.: **DM/094388**

Int. Reg. Date: **Dec. 23, 2016**

Int. Reg. Pub. Date: **Jun. 23, 2017**

(51) **LOC (11) Cl.** **13-02**

(52) **U.S. Cl.**
USPC **D13/110**

(58) **Field of Classification Search**
USPC D13/110, 101, 117, 123, 124, 159, 182, D13/184, 199; D10/75
CPC ... G01R 5/20; G01R 5/22; G01R 5/24; G01R 5/26; G01R 19/18; G01R 19/20; G01R 19/22; G01R 19/0084; G01R 19/0092; G01R 19/00; G01R 15/20; G01R 15/185; G01R 15/202; G01R 15/205; G01R 33/02; G01R 33/04; G01R 33/06

See application file for complete search history.

(56) **References Cited**

U.S. PATENT DOCUMENTS

D610,541 S *	2/2010	Mueller	D13/110
D769,190 S *	10/2016	Sid	D13/110
D769,817 S *	10/2016	Sid	D13/110
D803,154 S *	11/2017	Delmaere	D13/110

* cited by examiner

Primary Examiner — Michael A. Pratt

(57) **CLAIM**

The ornamental design for a current transducer, as shown and described.

DESCRIPTION

1.-3. Current transducers

1.1 : Perspective

1.2 : Perspective

1.3 : Front

1.4 : Back

1.5 : Top

1.6 : Bottom

1.7 : Left

1.8 : Right

3.1 : Perspective

3.2 : Perspective

3.3 : Front

3.4 : Back

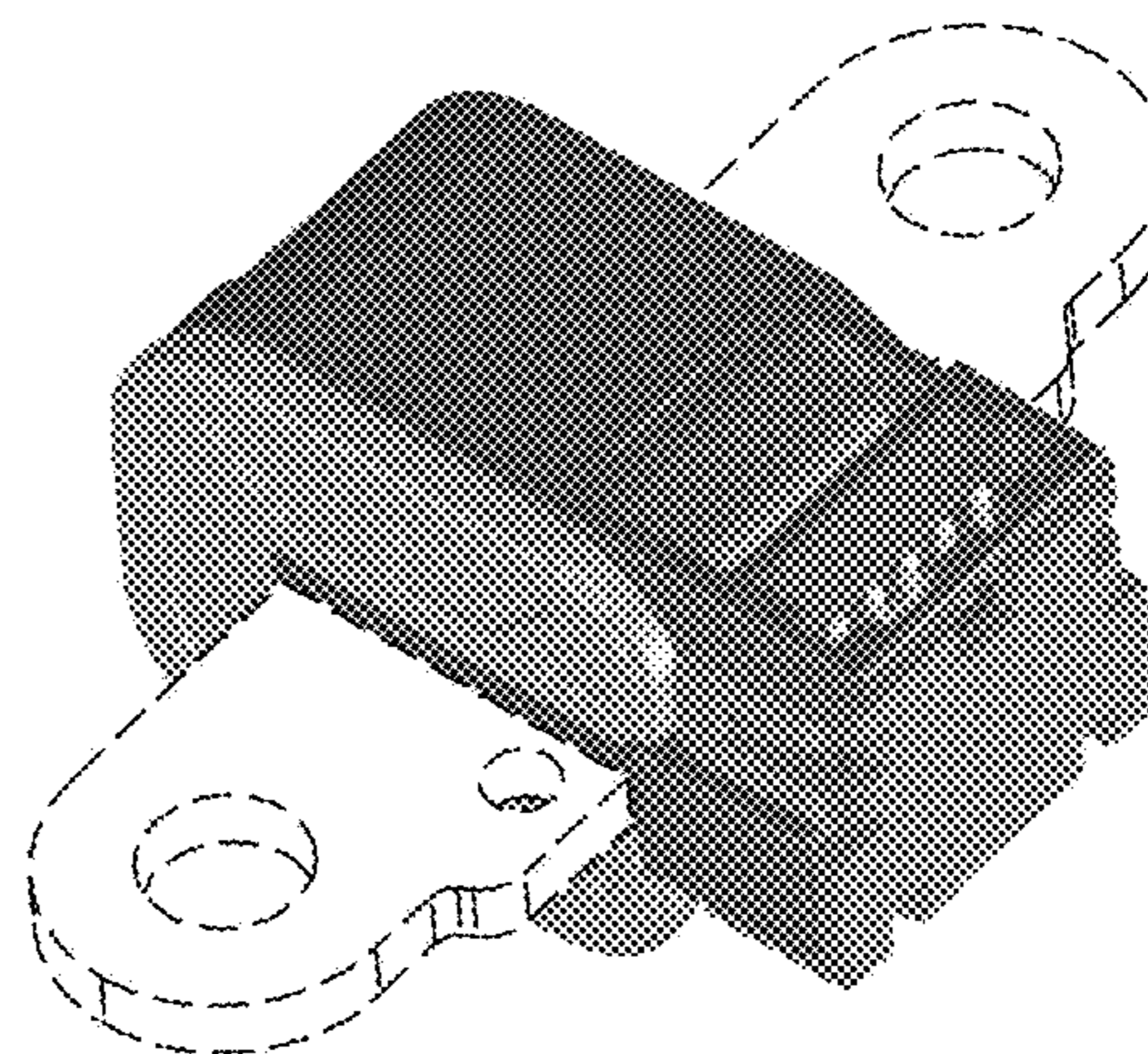
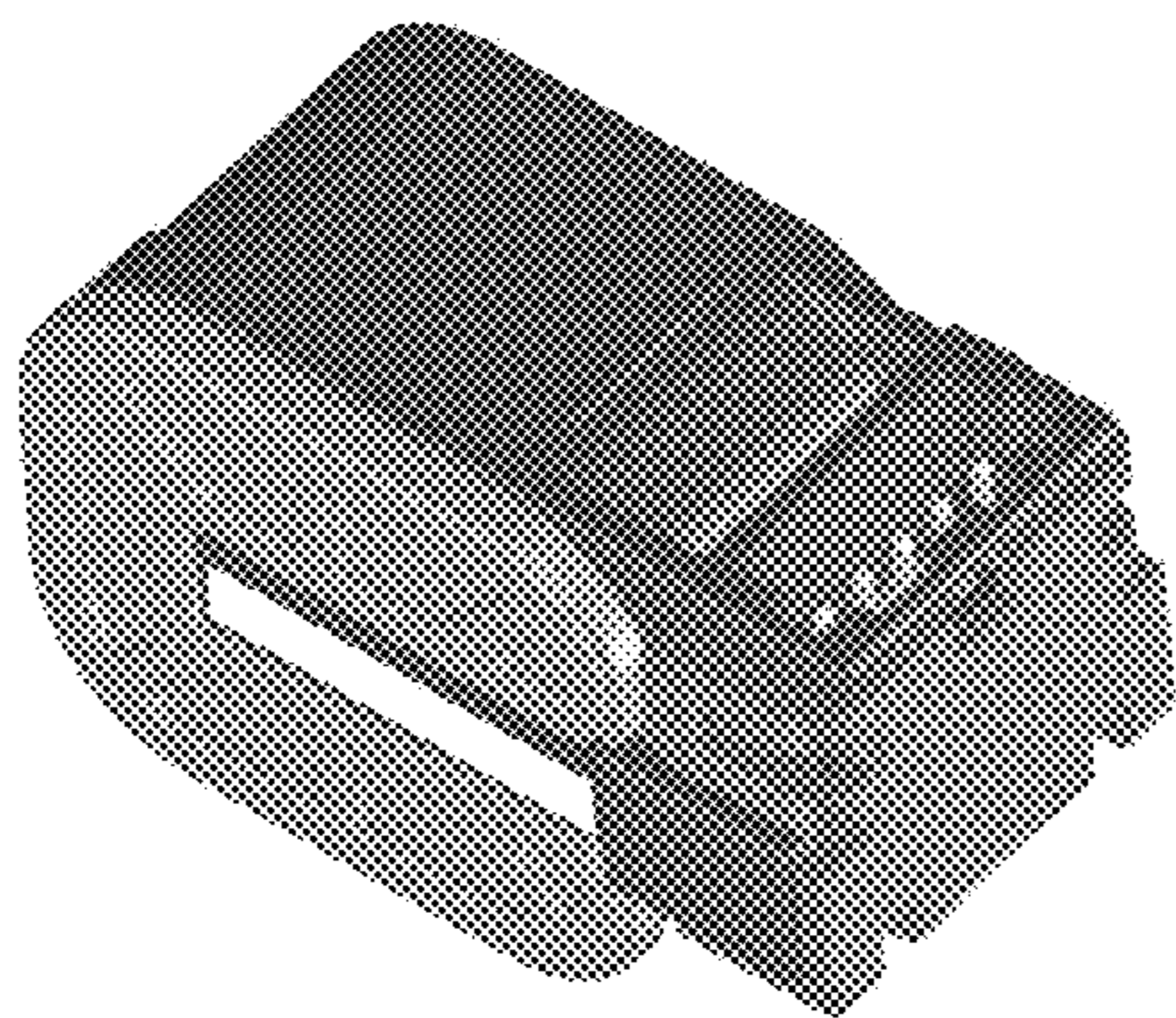
3.5 : Top

3.6 : Bottom

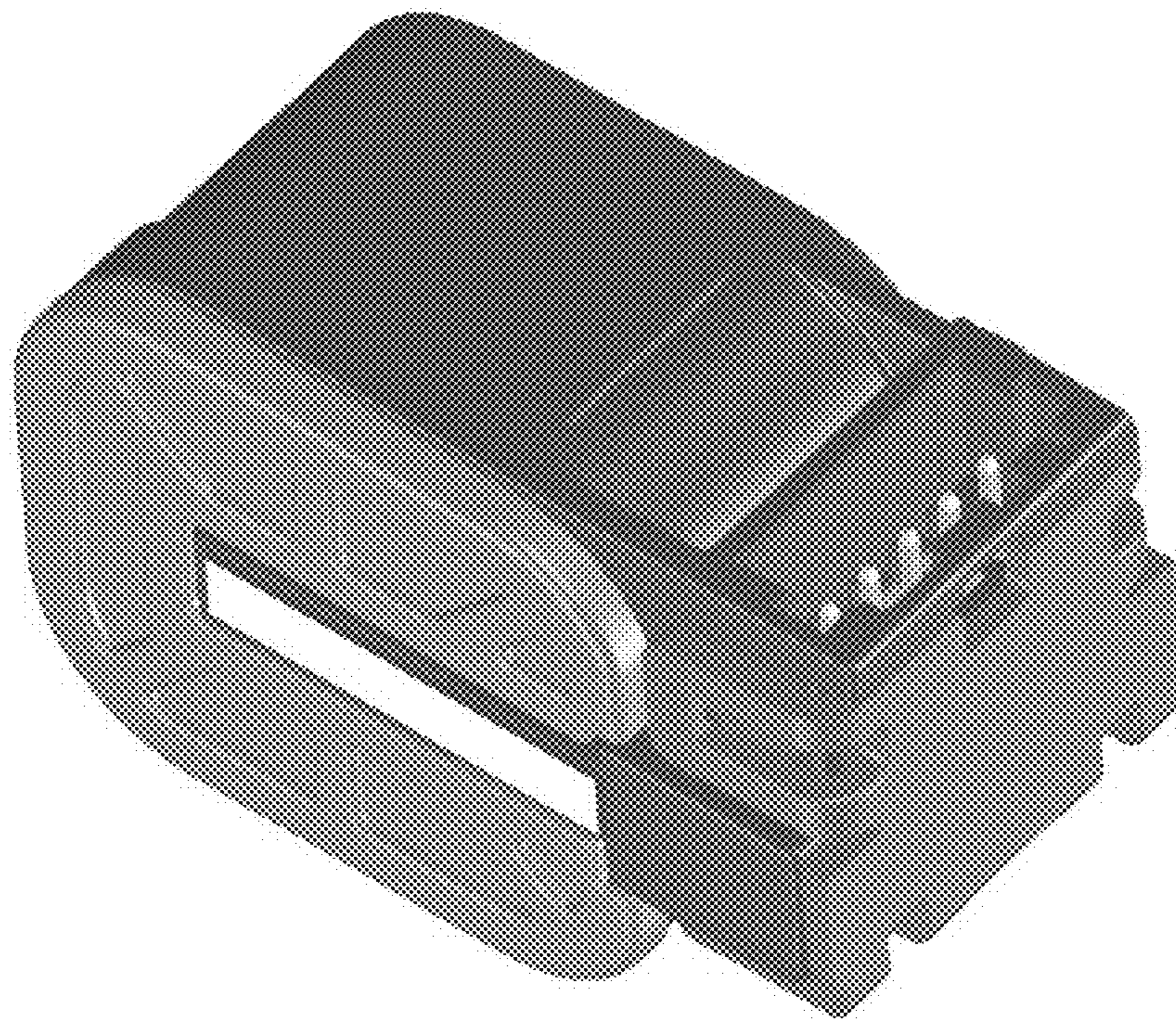
3.7 : Left

3.8 : Right

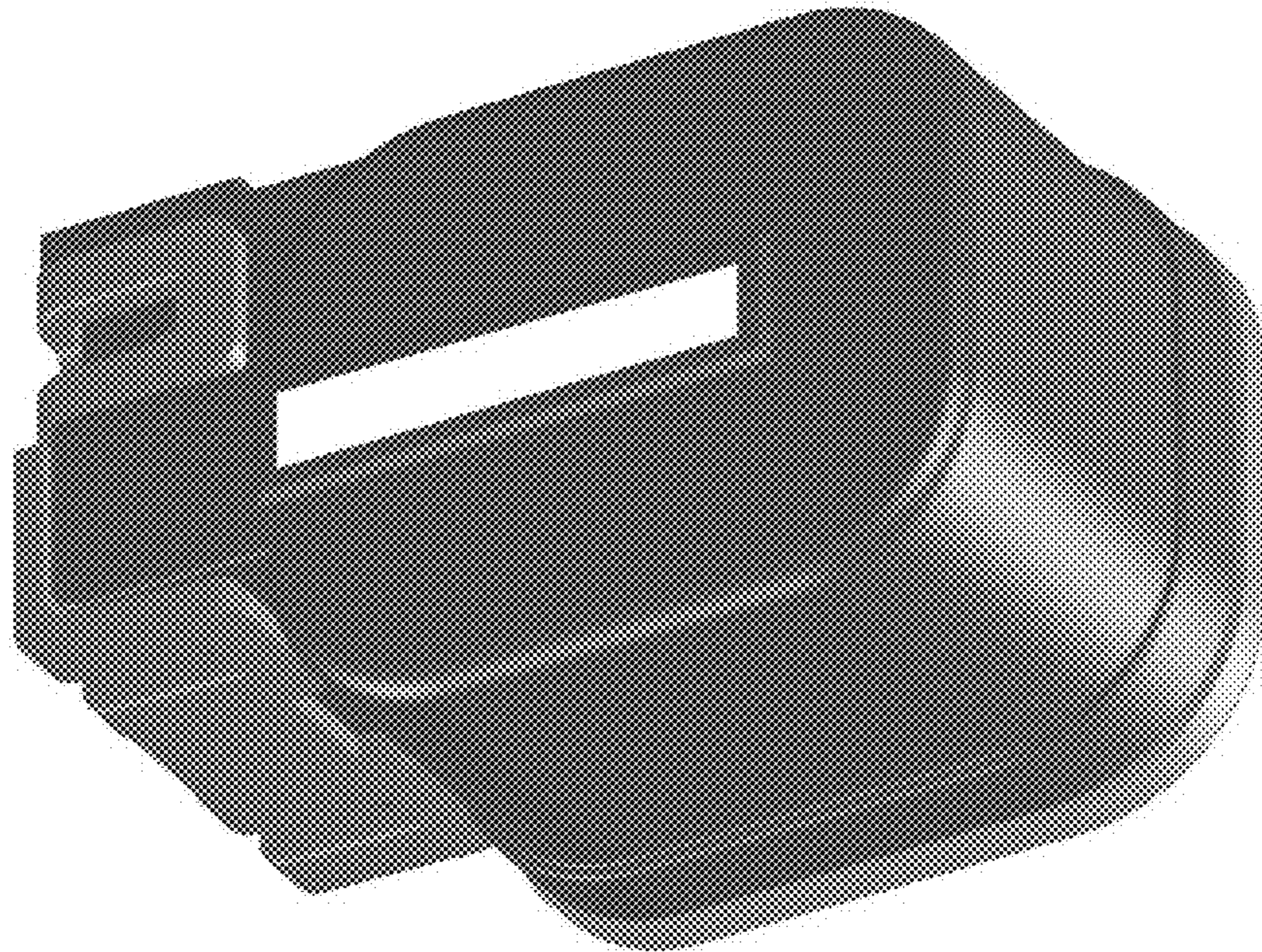
1 Claim, 16 Drawing Sheets



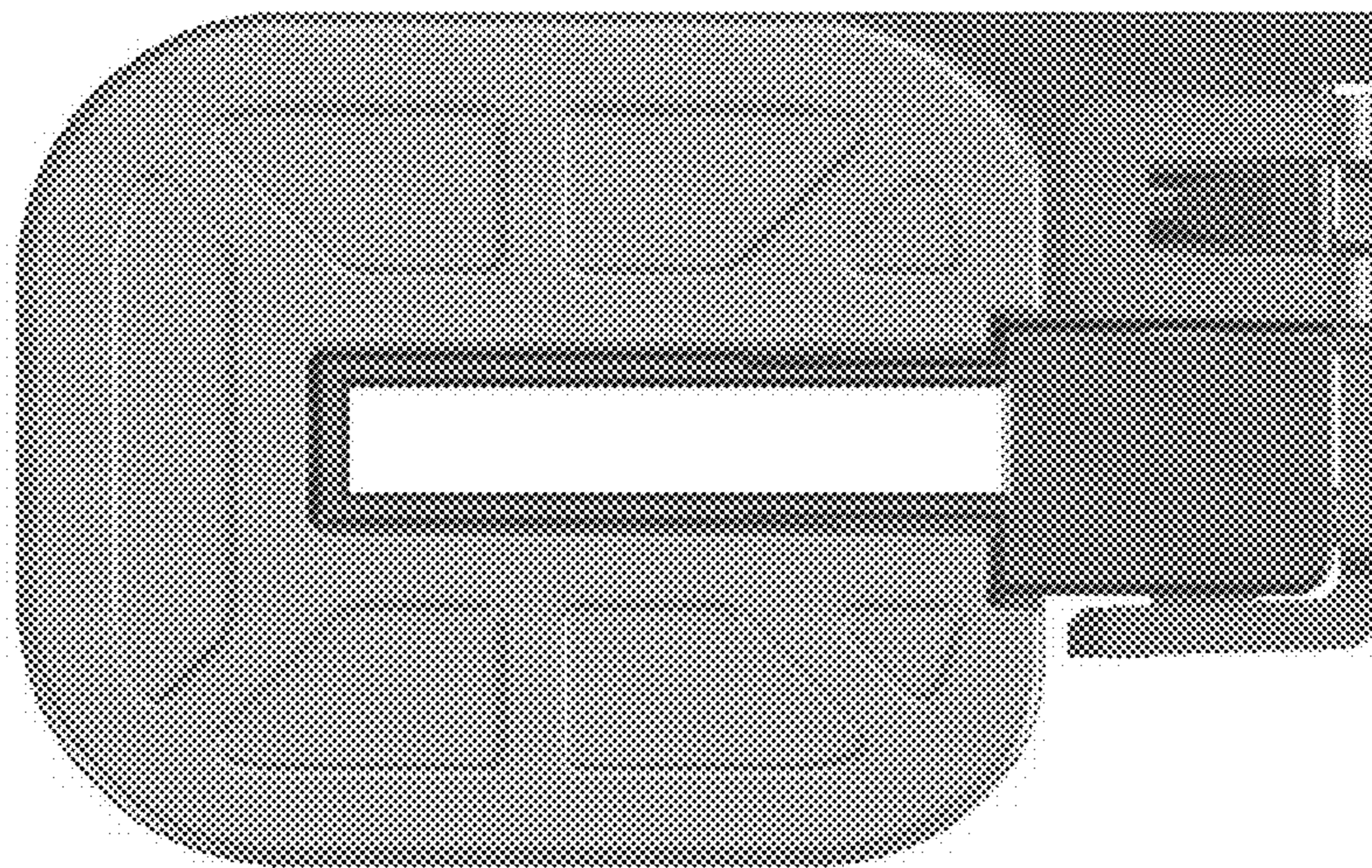
1.1



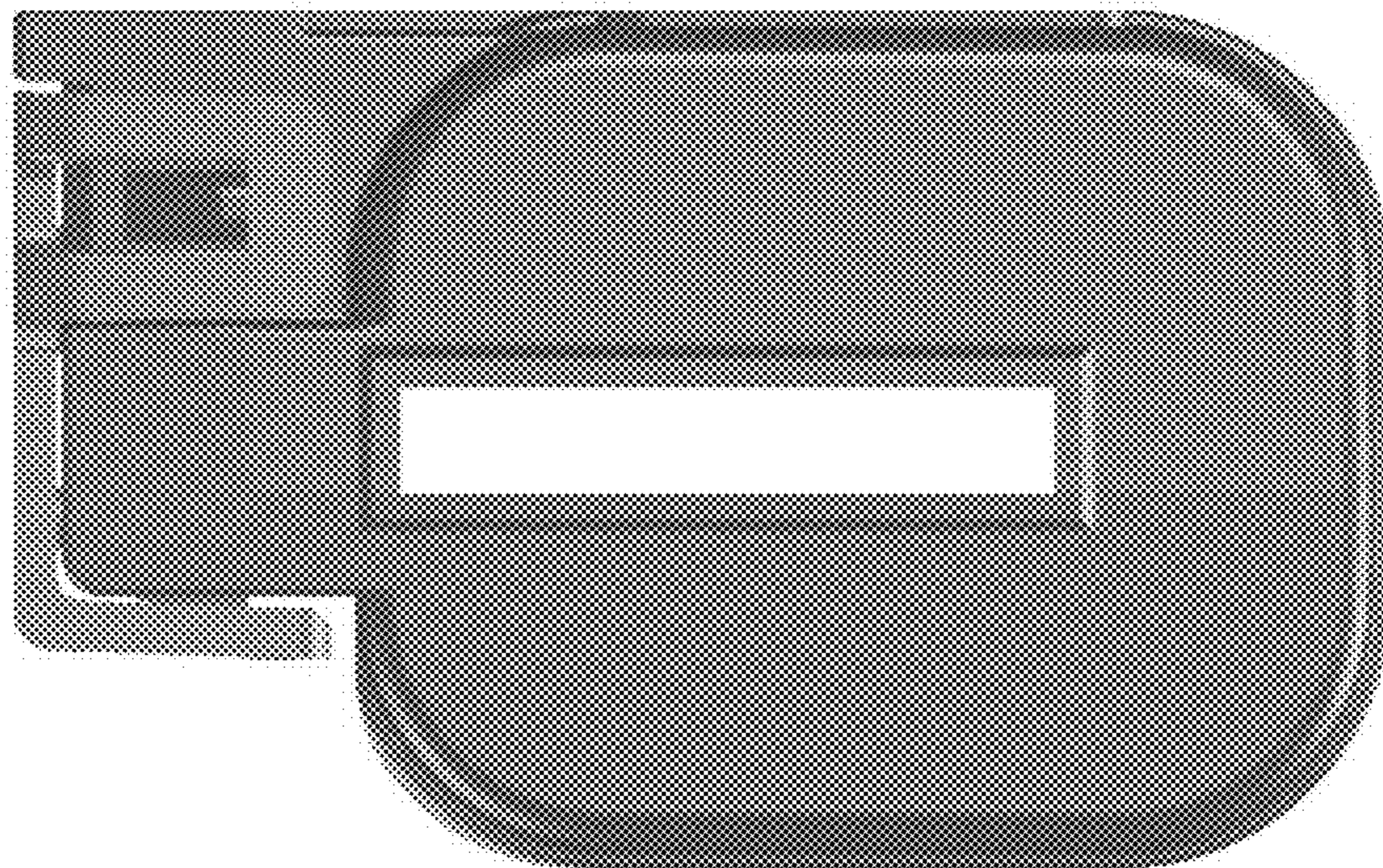
1.2



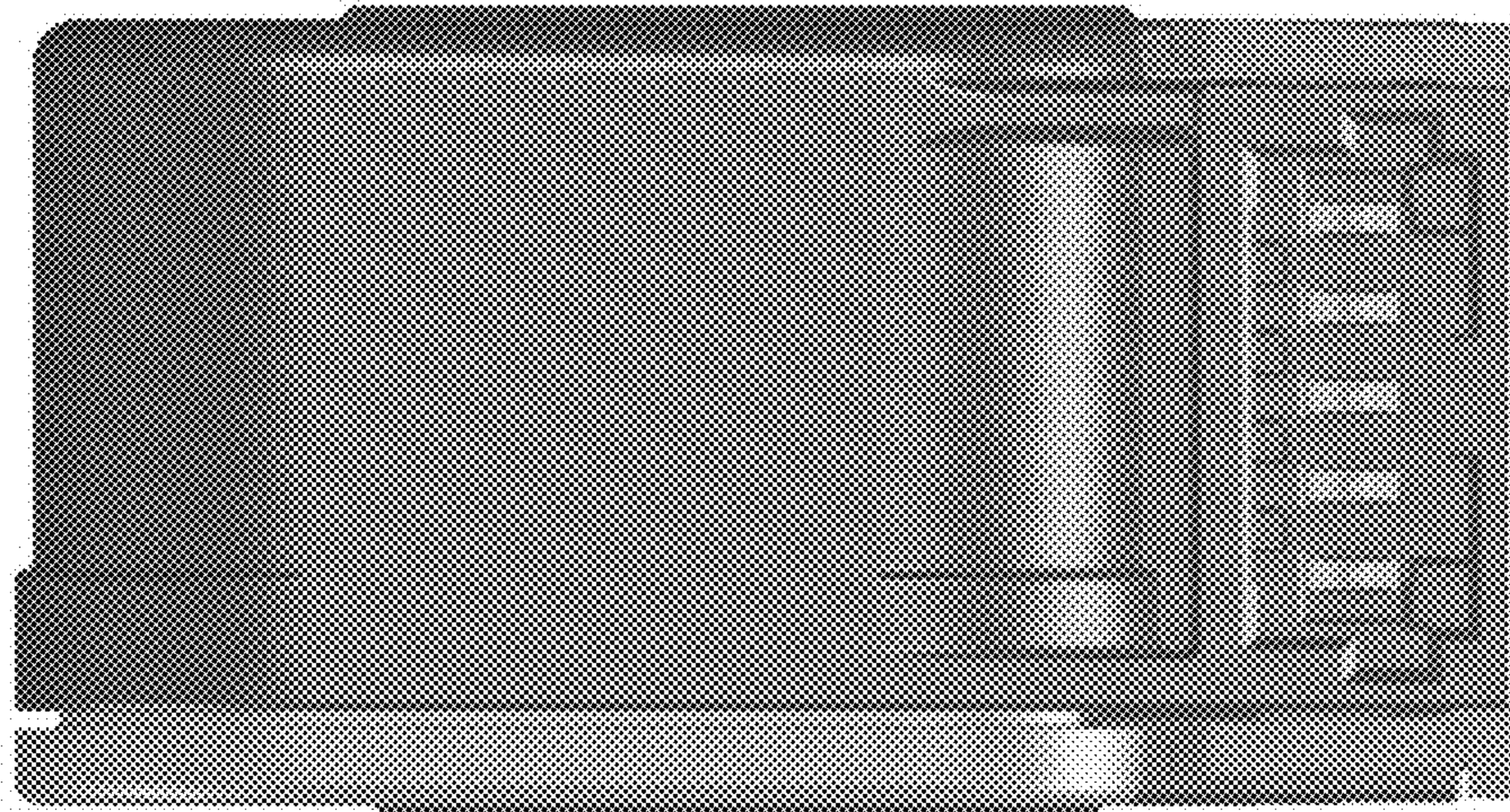
1.3



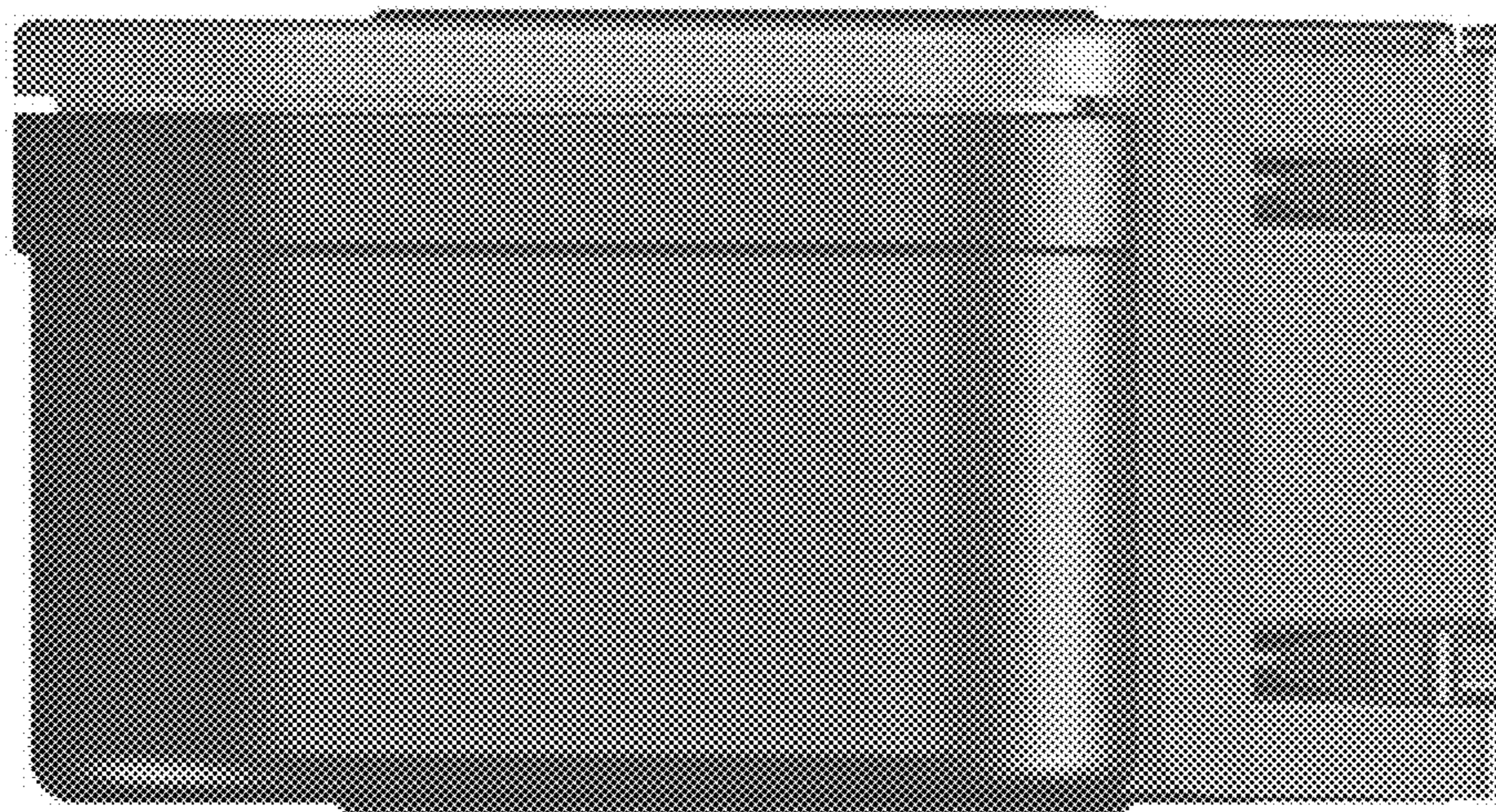
1.4



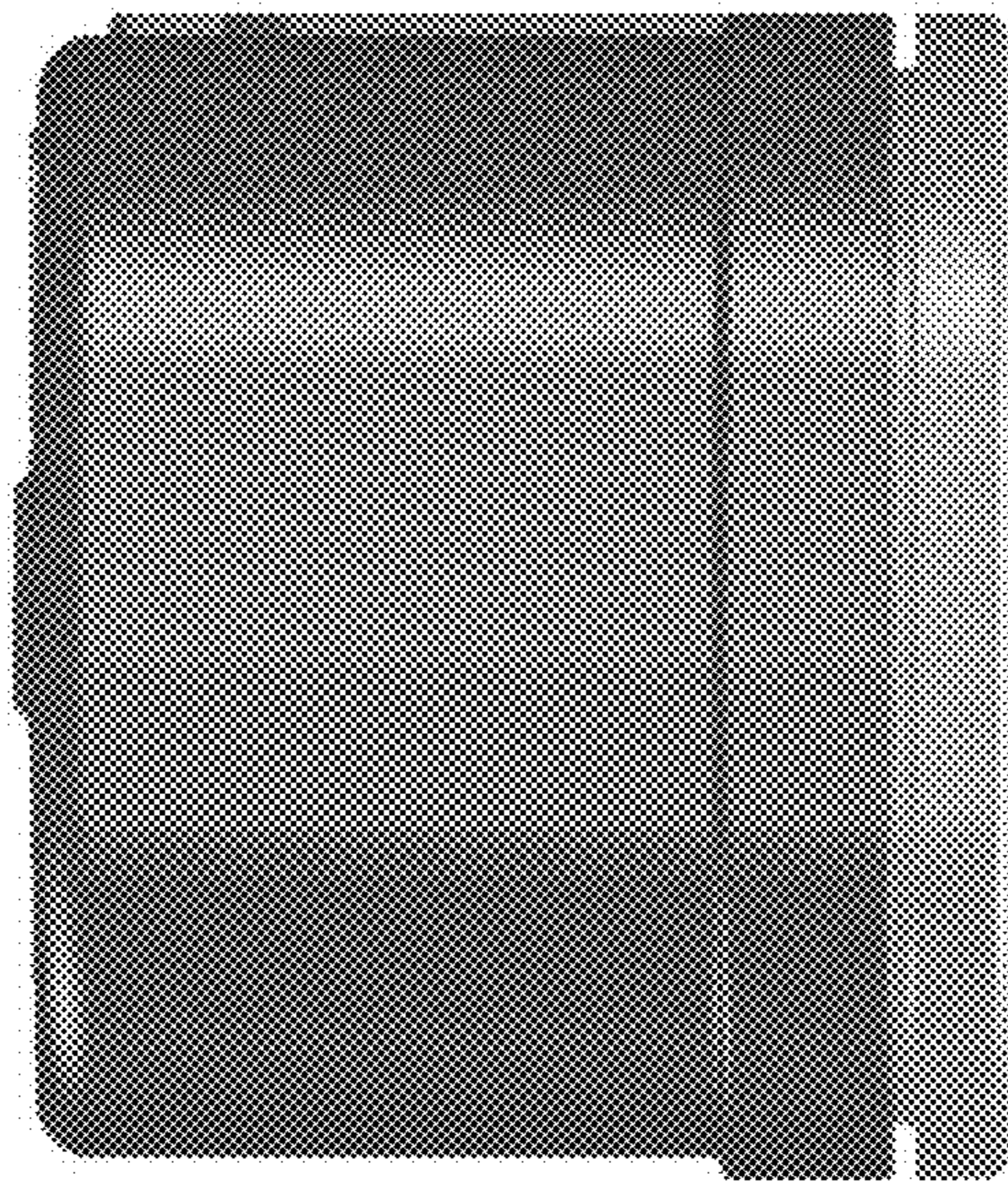
1.5



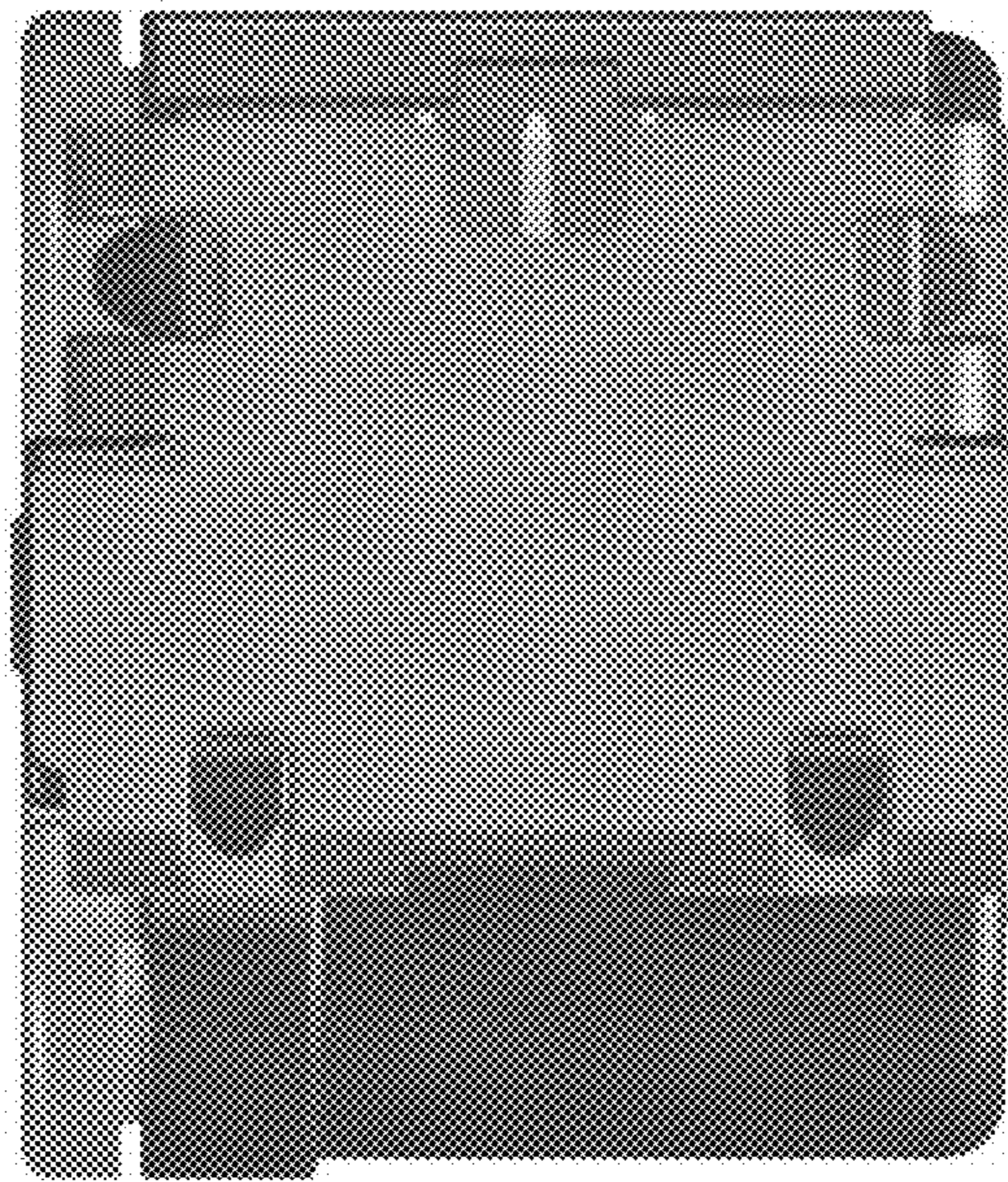
1.6



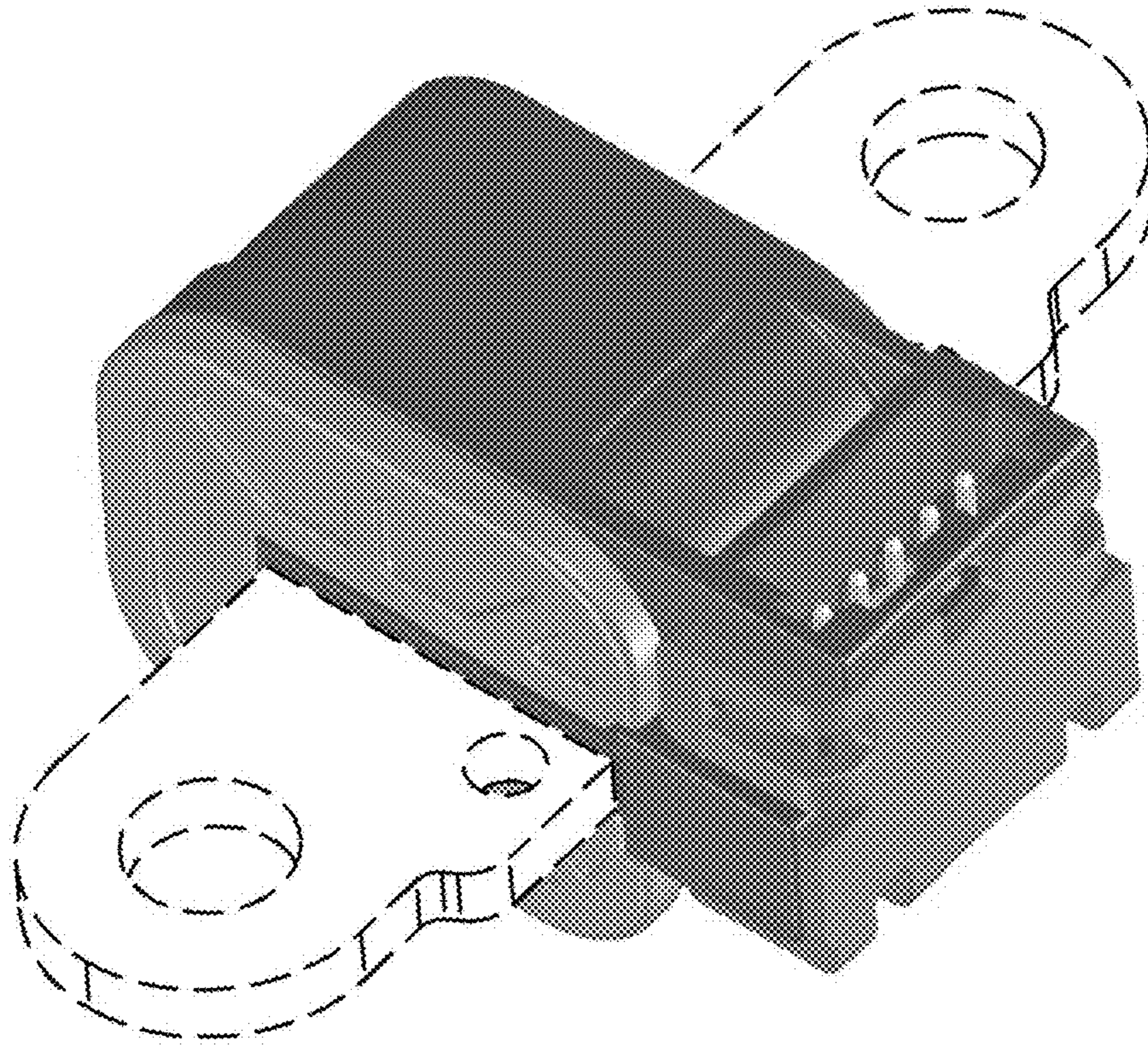
1.7



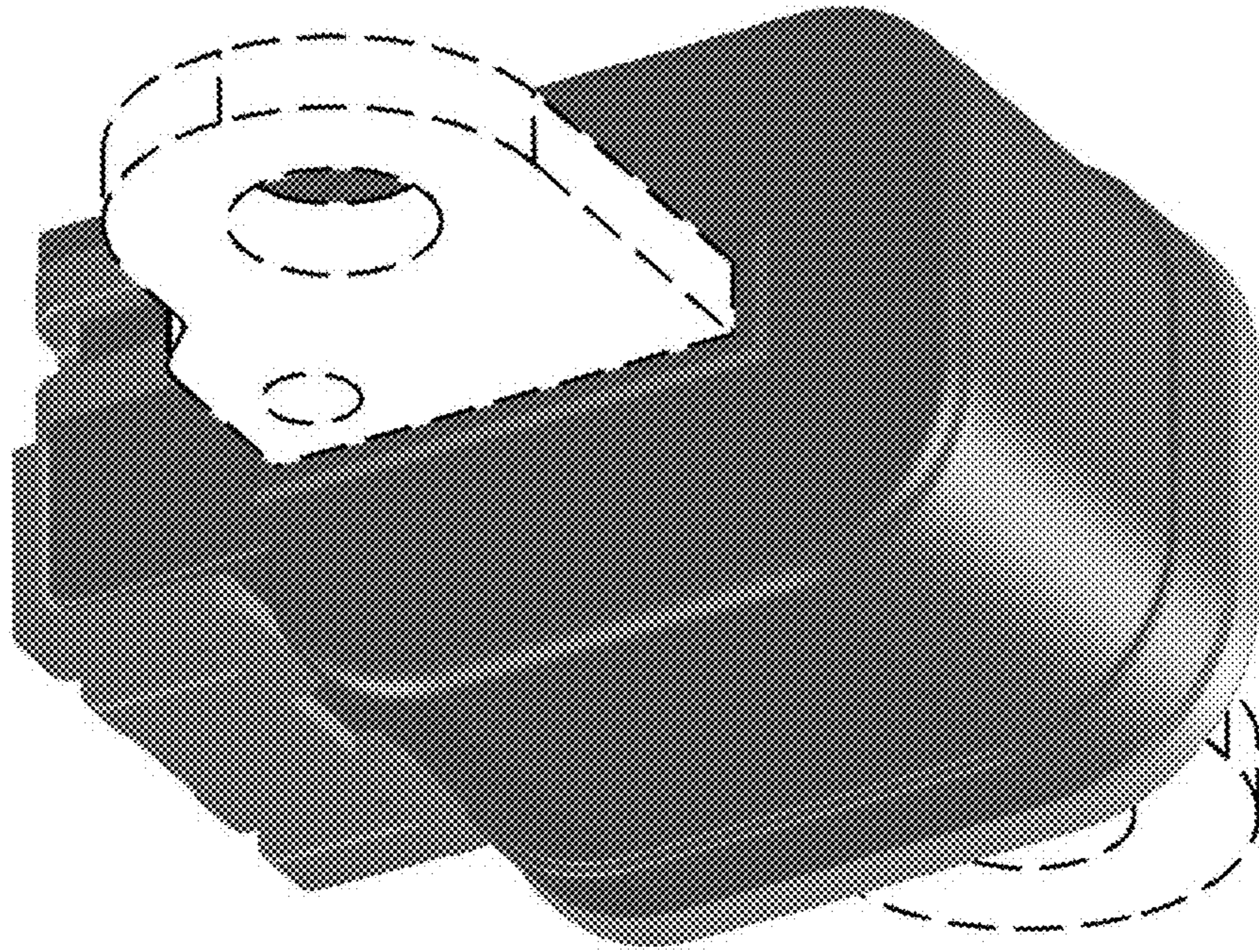
1.8



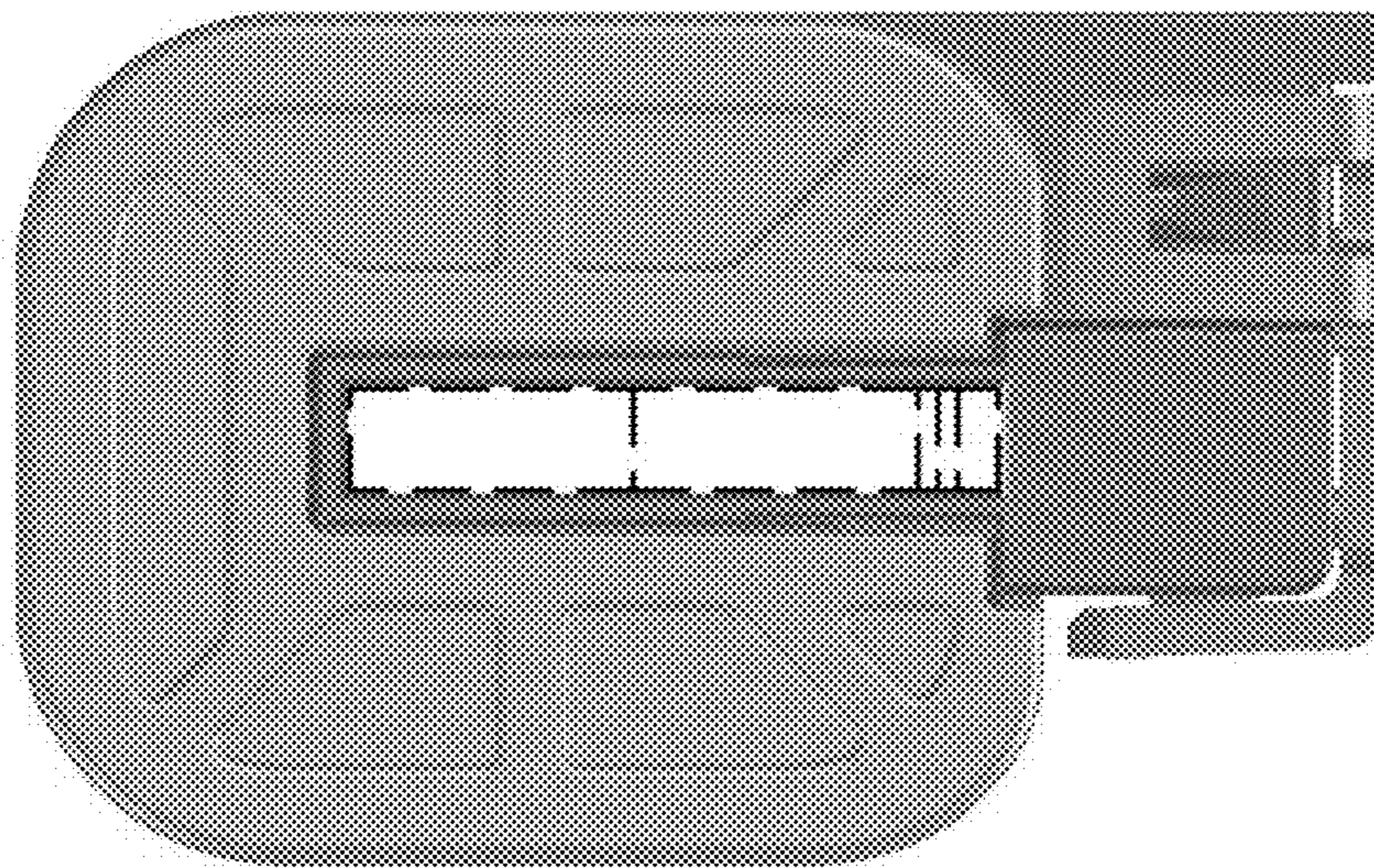
3.1



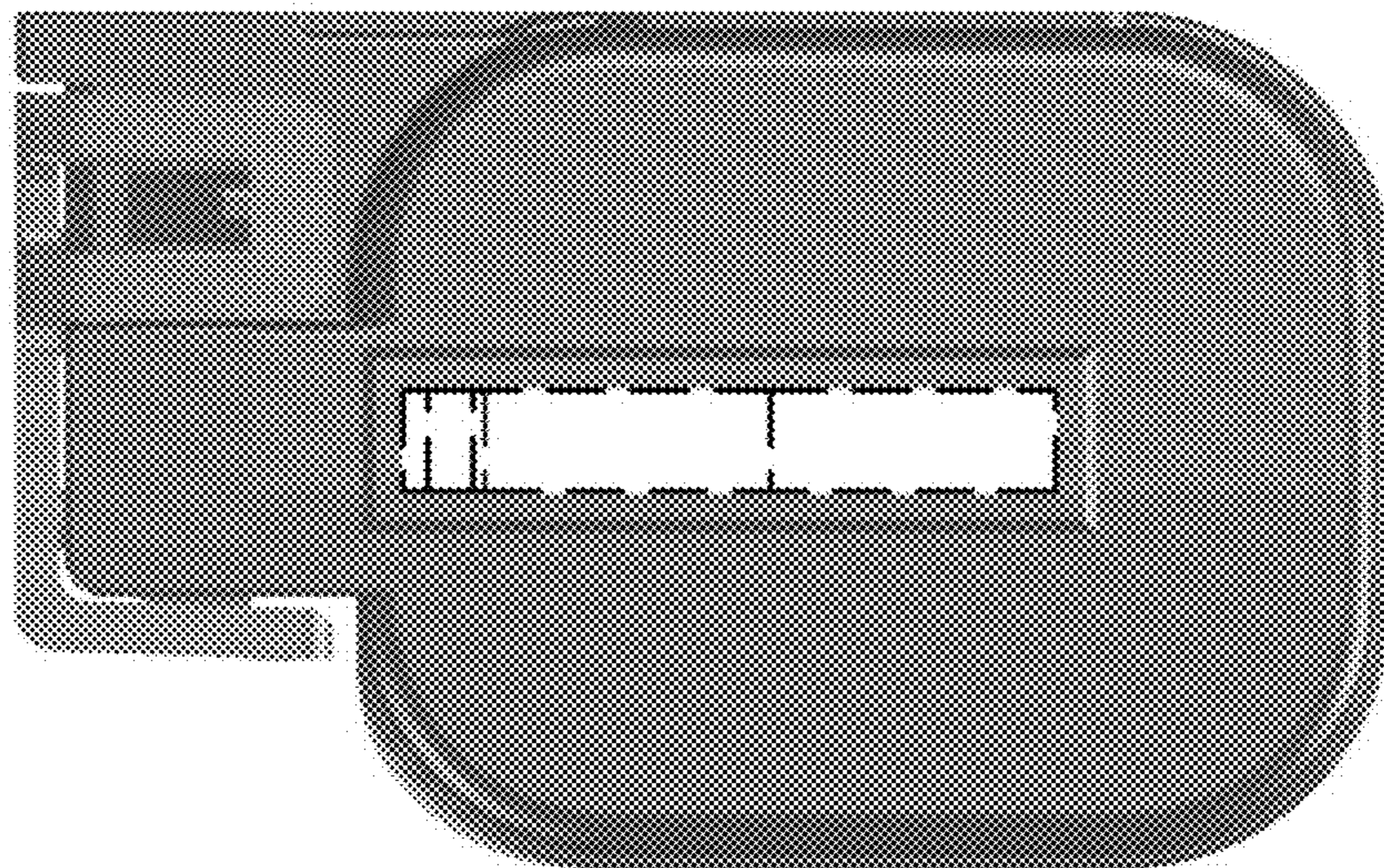
3.2



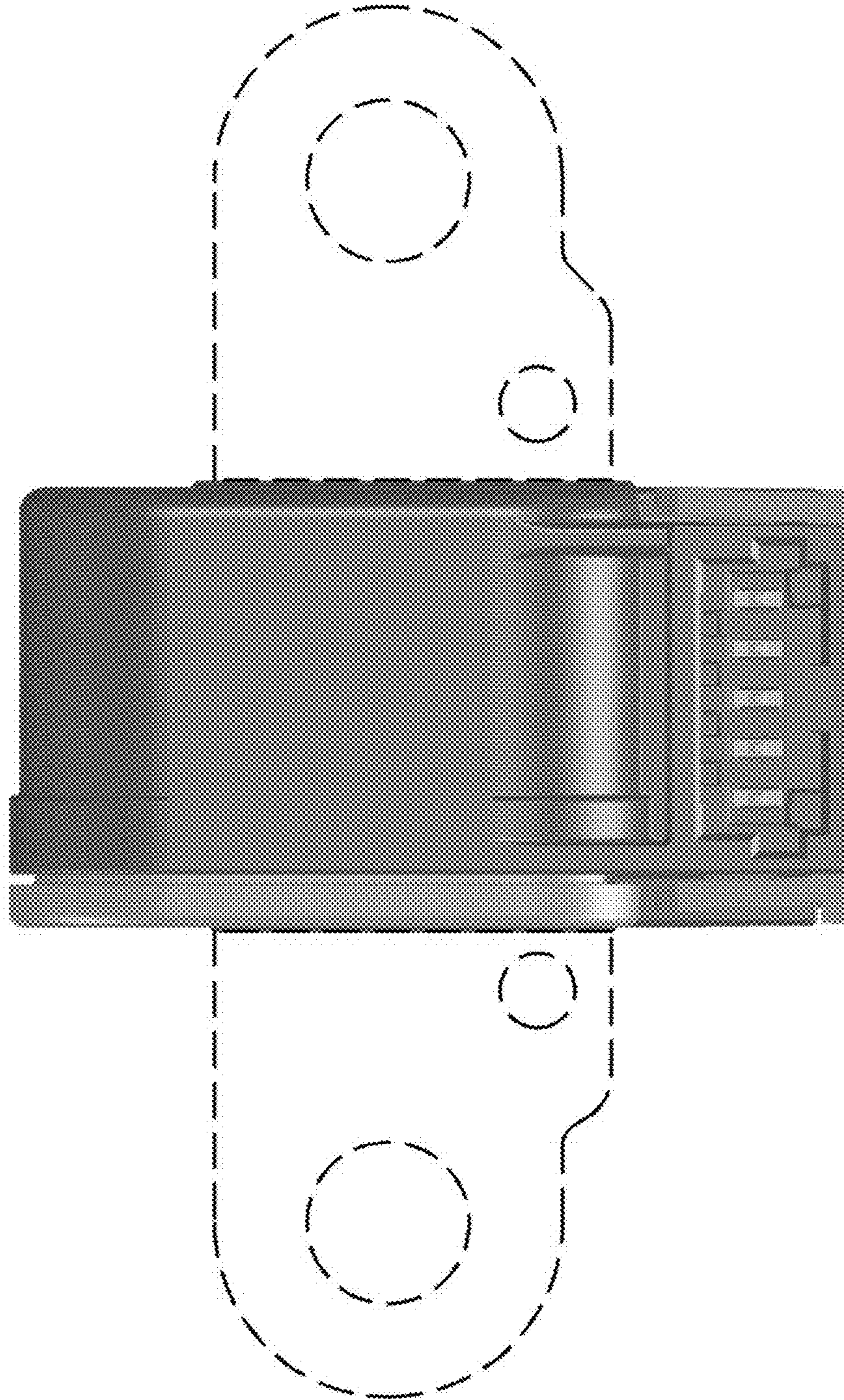
3.3



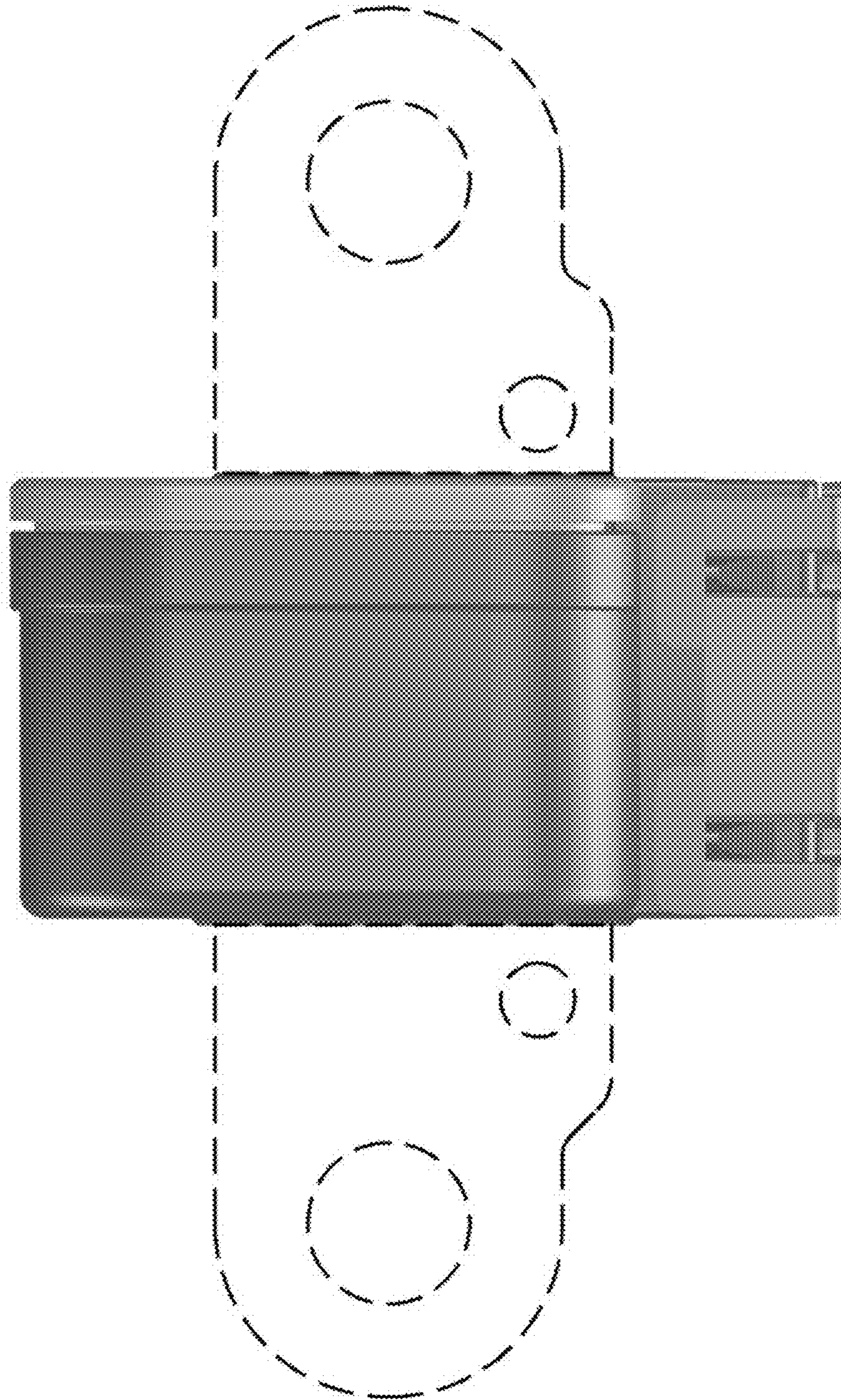
3.4



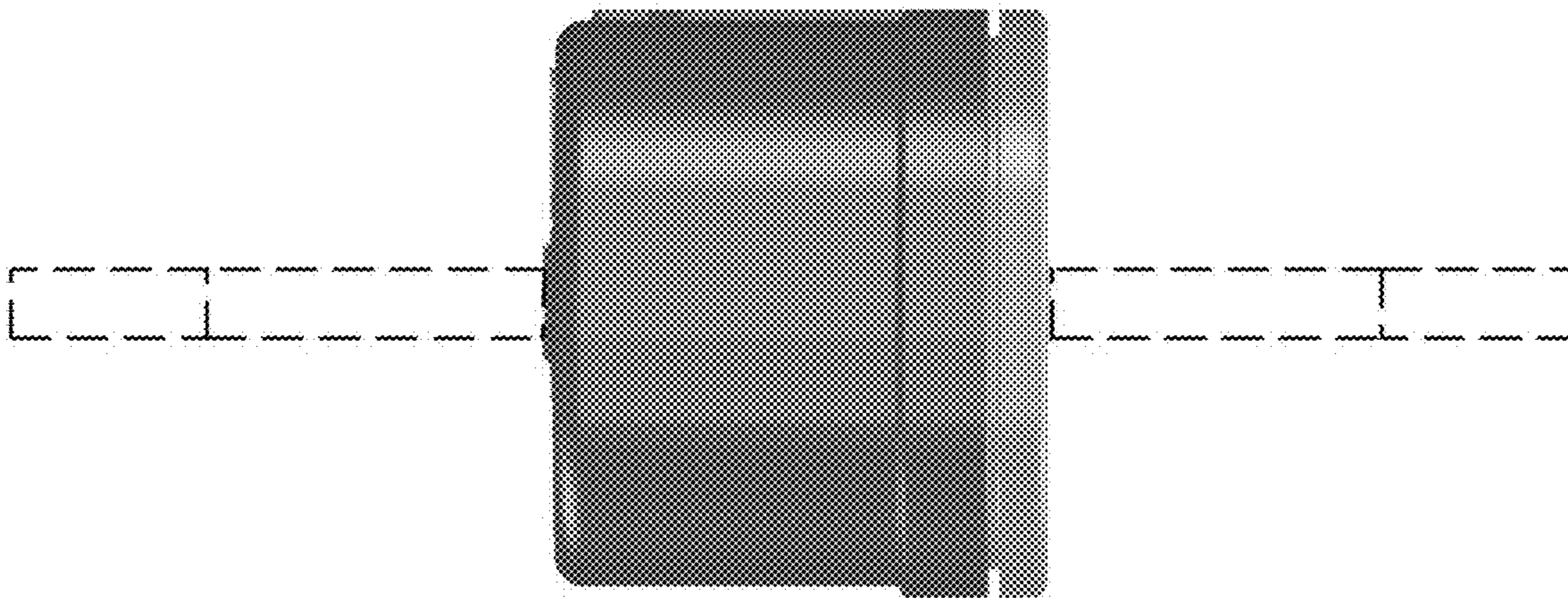
3.5



3.6



3.7



3.8

